



US00D979690S

(12) **United States Design Patent**
Cai et al.

(10) **Patent No.:** **US D979,690 S**
(45) **Date of Patent:** **** Feb. 28, 2023**

(54) **SURFBOARD**

FOREIGN PATENT DOCUMENTS

(71) Applicant: **NINGBO YOURLITE IMPORT & EXPORT CO., LTD.**, Ningbo (CN)

CN 202130569158.1 * 12/2021
CN 202230025309.1 * 4/2022

(72) Inventors: **Xiaoyu Cai**, Ningbo (CN); **Linchao Lv**, Ningbo (CN); **Yewei Wang**, Ningbo (CN)

OTHER PUBLICATIONS

(73) Assignee: **NINGBO YOURLITE IMPORT & EXPORT CO., LTD.**, Ningbo (CN)

Amazon Website, Paddle Board Inflatable SUP, Earliest available date: May 25, 2020, [Website Visited on Jul. 7, 2022], Available on the internet URL <https://www.amazon.com/dp/B08L95FVDF/> (Year: 2020).*

(**) Term: **15 Years**

(Continued)

(21) Appl. No.: **29/762,993**

Primary Examiner — S. Bryan Reinholdt, Jr.

(22) Filed: **Dec. 21, 2020**

Assistant Examiner — James T Tyree

(51) **LOC (14) Cl.** **21-02**

(74) *Attorney, Agent, or Firm* — Bayramoglu Law Offices LLC

(52) **U.S. Cl.**
USPC **D21/769**; D21/698; D21/760

(57) **CLAIM**

(58) **Field of Classification Search**
USPC D21/769, 770, 801, 542, 803; D12/301, D12/307

The ornamental design for a surfboard, as shown and described.

CPC B63B 32/00; B63B 32/20; B63B 32/40; B63B 32/50; B63B 34/00

DESCRIPTION

See application file for complete search history.

FIG. 1 is a top perspective view of a surfboard showing our new design;

(56) **References Cited**

U.S. PATENT DOCUMENTS

D637,251	S	*	5/2011	Bradley	D21/769
8,834,220	B2	*	9/2014	Haller	B63B 32/60 441/74
D822,778	S	*	7/2018	Strange	D21/769
D949,994	S	*	4/2022	Hembert	D21/769
D954,882	S	*	6/2022	Guo	D21/769
2014/0080369	A1	*	3/2014	Haller	B63B 32/51 441/66
2014/0242860	A1	*	8/2014	Hoge, Jr.	B63B 32/51 441/66
2022/0081077	A1	*	3/2022	Huang	B63B 32/51
2022/0153390	A1	*	5/2022	Eckl	B63B 32/77

FIG. 2 is a bottom perspective view thereof;

FIG. 3 is a top view thereof;

FIG. 4 is a bottom view thereof;

FIG. 5 is a left side view thereof;

FIG. 6 is a front view thereof;

FIG. 7 is a rear view thereof;

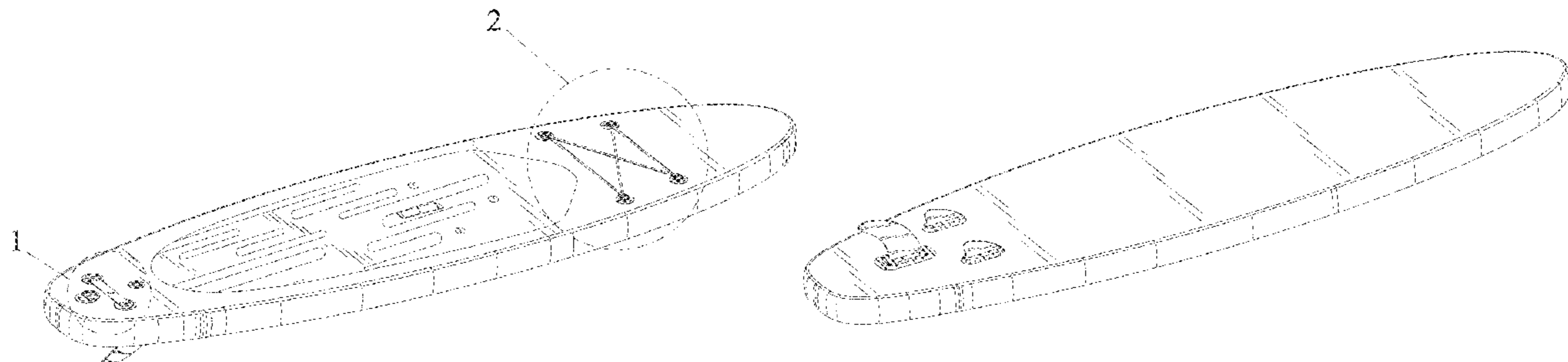
FIG. 8 is an enlarged view of the indicated area "1" in FIG. 1; and,

FIG. 9 is an enlarged view of the indicated area "2" in FIG. 1.

A right side view is omitted since the right side view is a mirror image of the left side view.

The broken lines indicating enlargement portions of the design form no part of the claimed design.

1 Claim, 9 Drawing Sheets



(56)

References Cited

OTHER PUBLICATIONS

Walmart Website, Inflatable Stand Up Paddle Board SUP, Earliest comment date: Jun. 10, 2018, [Website Visited on Jul. 7, 2022], Available on the internet URL <https://www.walmart.com/reviews/product/669520122?sort=submission-asc> (Year: 2018).*

* cited by examiner

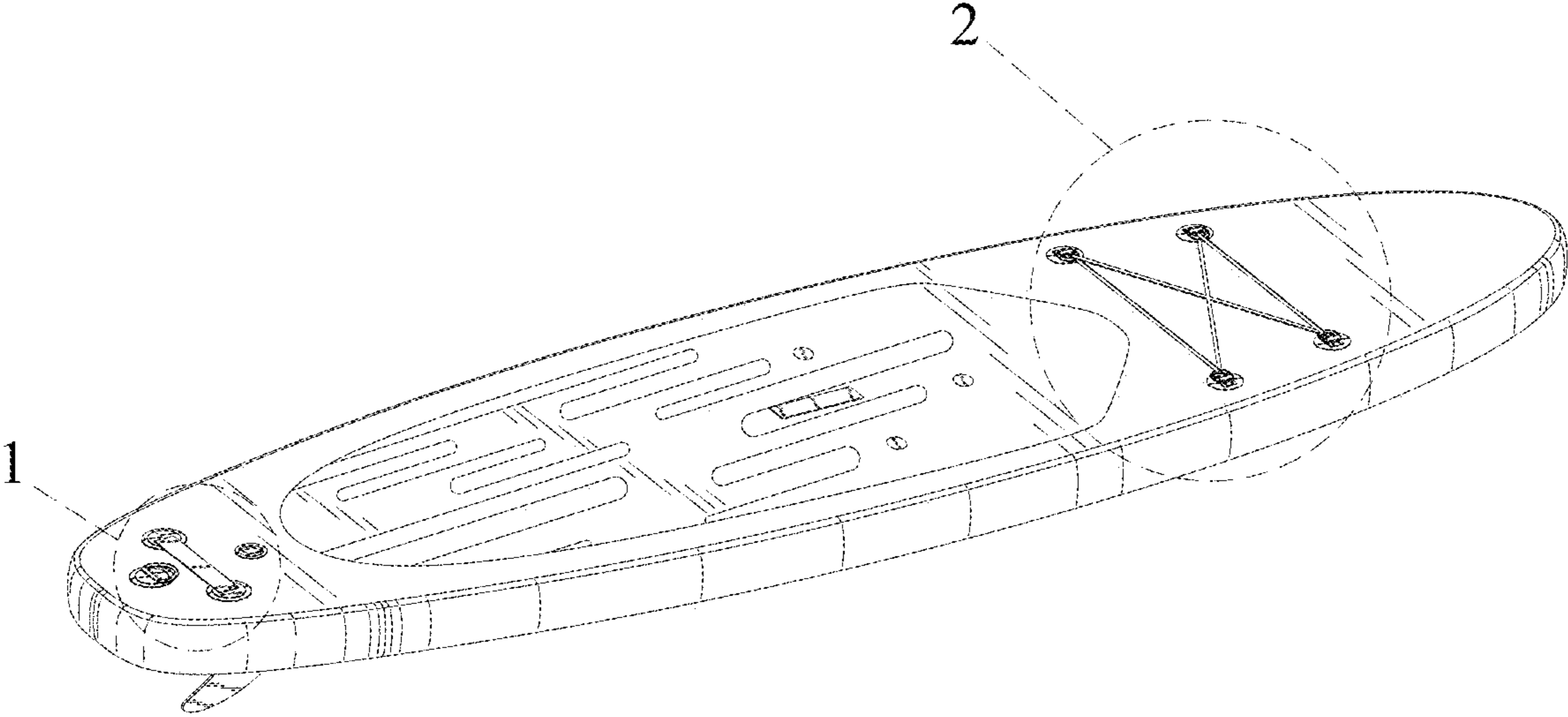


FIG. 1

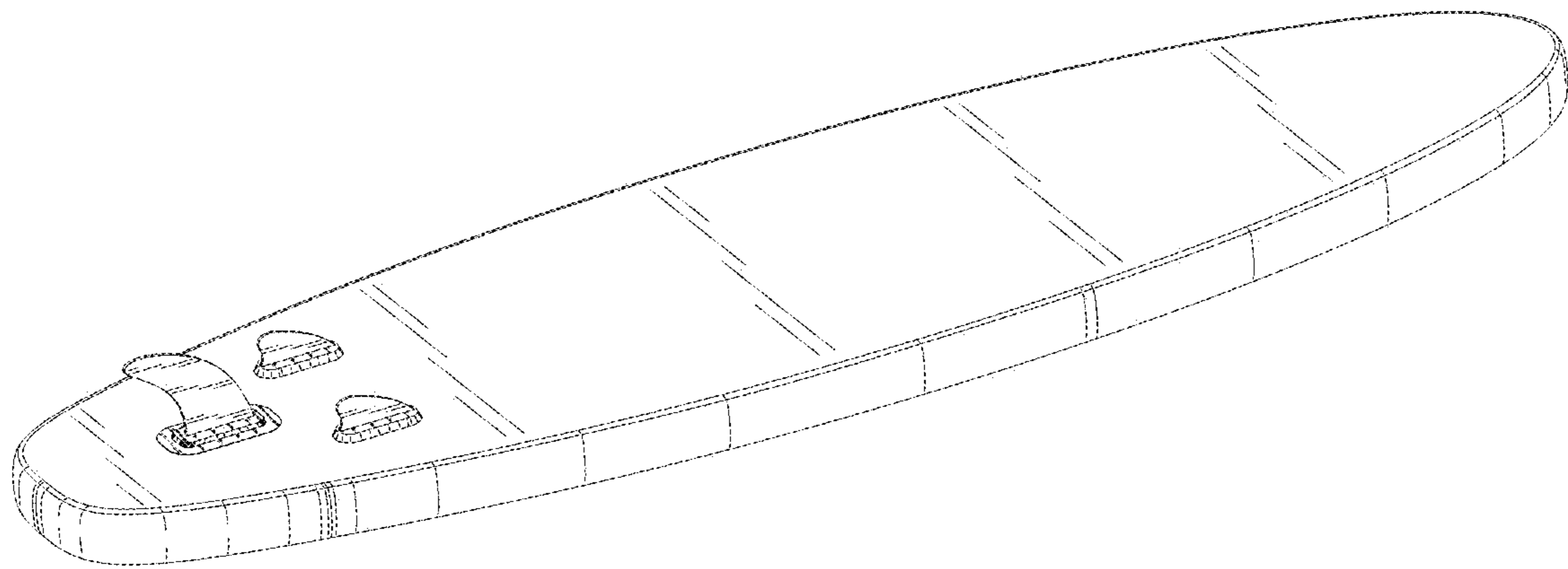


FIG. 2

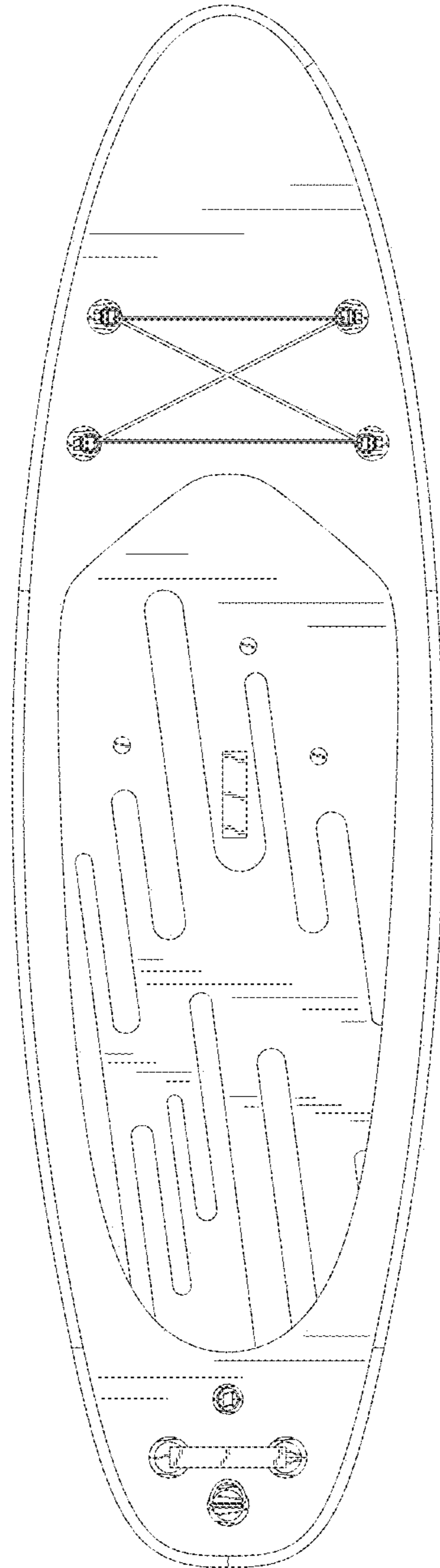


FIG. 3

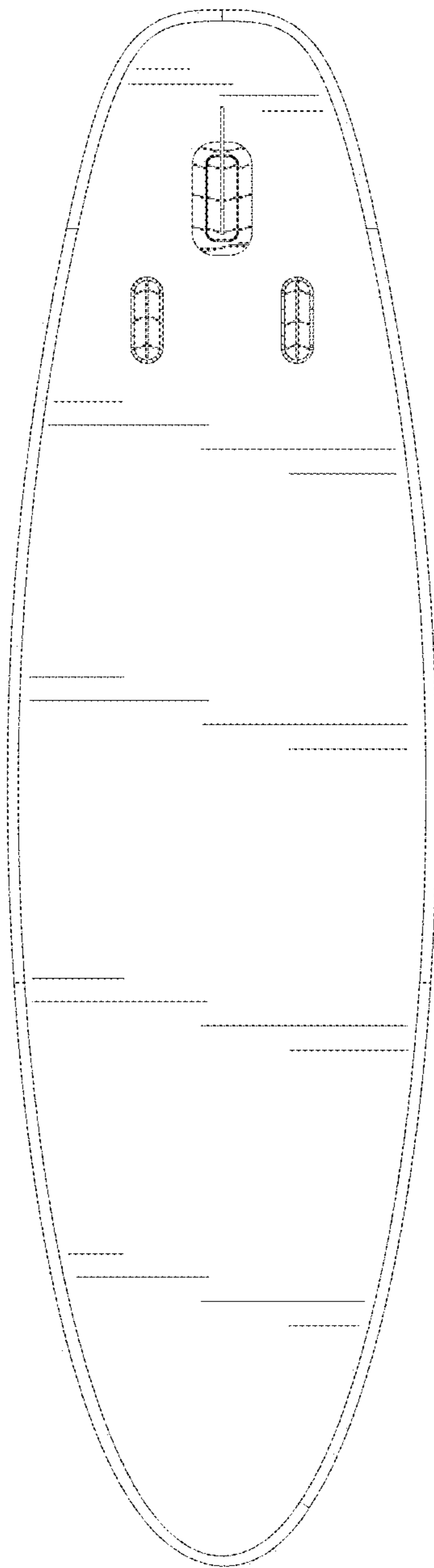


FIG. 4

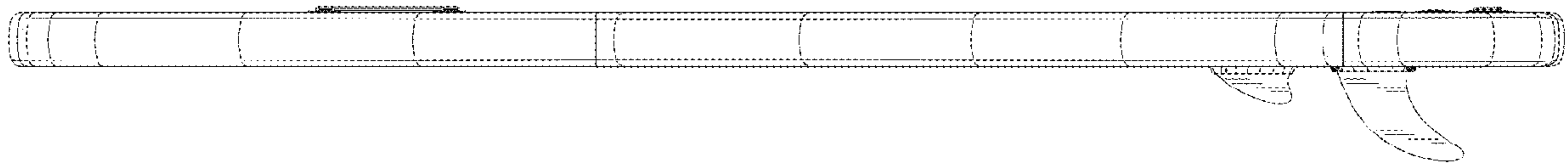


FIG. 5

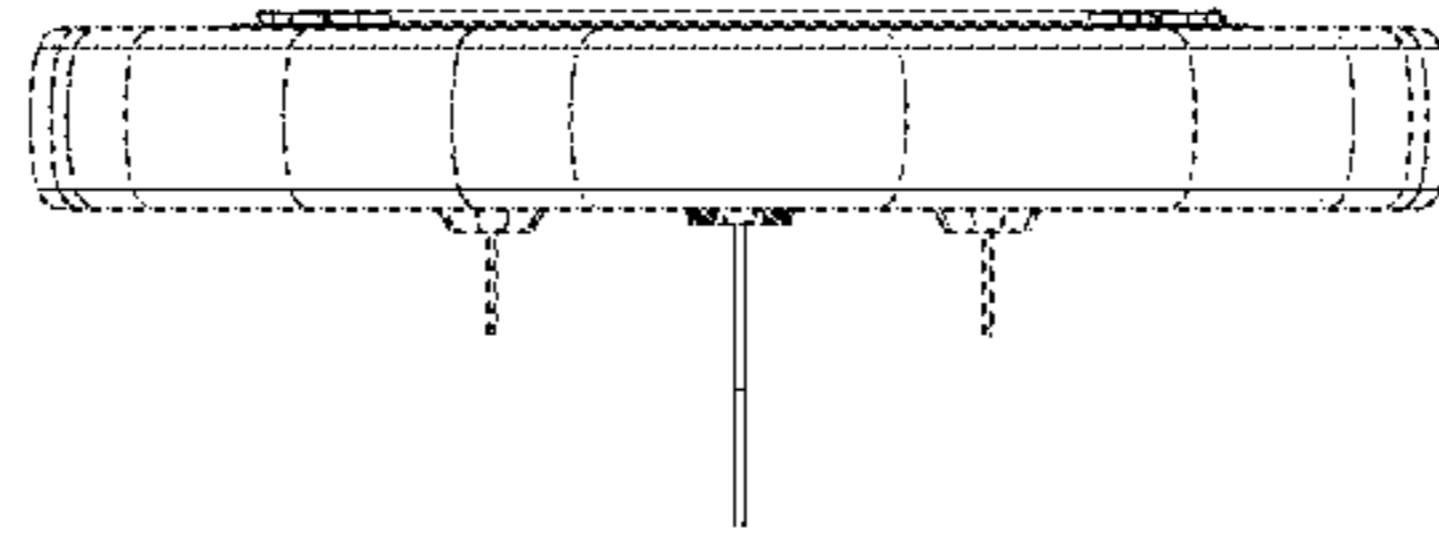


FIG. 6

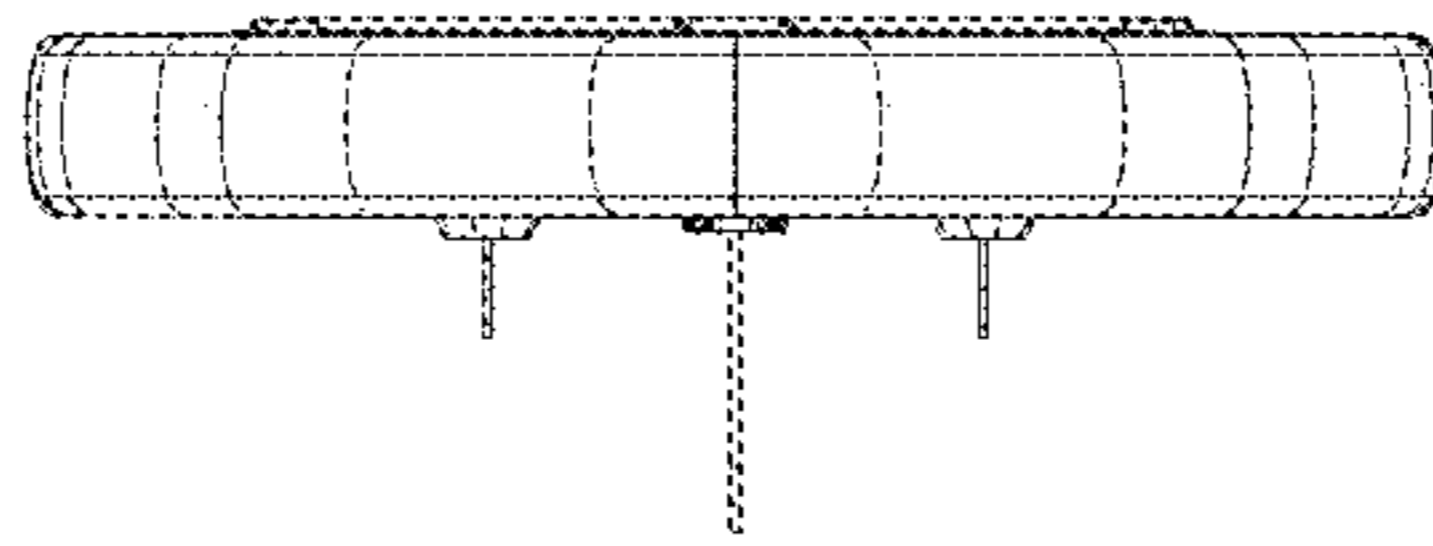


FIG. 7

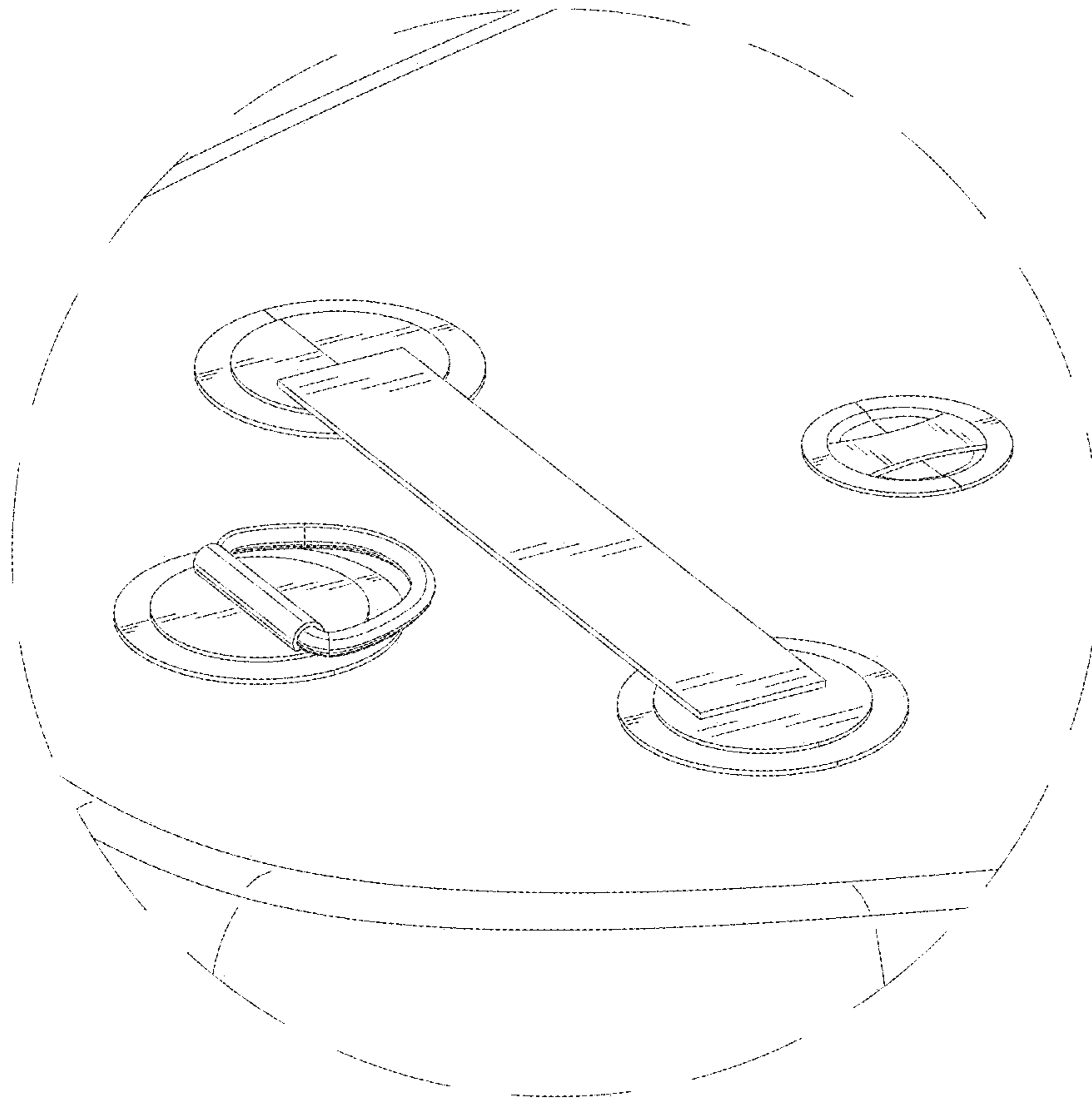


FIG. 8

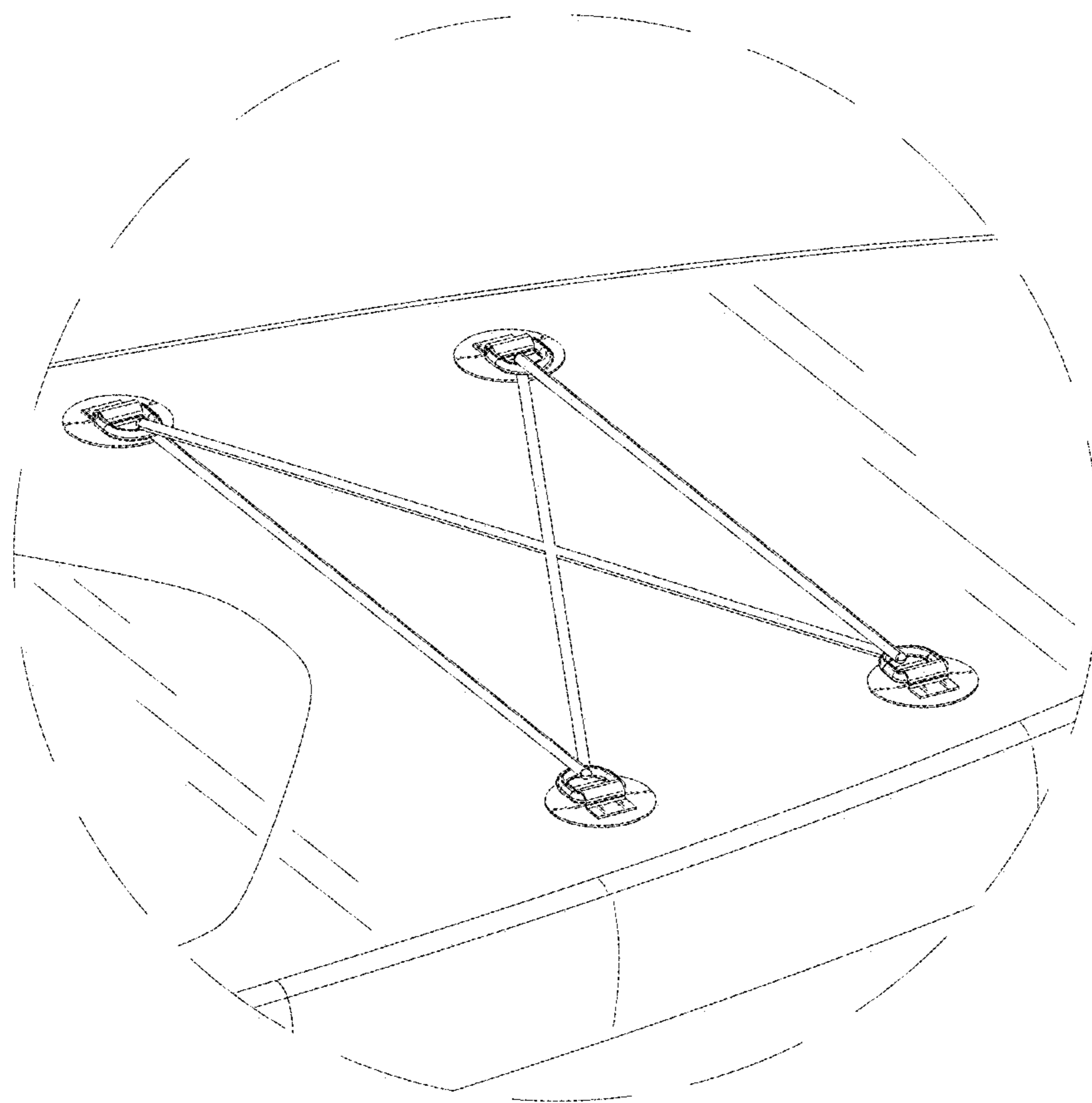


FIG. 9