



US00D979688S

(12) **United States Design Patent**
Kirtley et al.

(10) **Patent No.:** **US D979,688 S**

(45) **Date of Patent:** **** Feb. 28, 2023**

(54) **GOLF CLUB FERRULE**

(71) Applicant: **PARSONS XTREME GOLF, LLC**,
Scottsdale, AZ (US)

(72) Inventors: **Daniel C. Kirtley**, Scottsdale, AZ (US);
Michael R. Nicolette, Scottsdale, AZ
(US); **Adam J. Lester**, Scottsdale, AZ
(US)

(73) Assignee: **PARSONS XTREME GOLF, LLC**,
Scottsdale, AZ (US)

(**) Term: **15 Years**

(21) Appl. No.: **29/843,404**

(22) Filed: **Jun. 21, 2022**

(51) **LOC (14) Cl.** **21-02**

(52) **U.S. Cl.**
USPC **D21/759**

(58) **Field of Classification Search**
USPC D21/759, 733, 747-752
CPC A63B 53/00; A63B 53/04; A63B 53/0466;
A63B 2053/0445; A63B 2053/0433;
A63B 2053/0491; A63B 2053/0437;
A63B 60/00; A63B 60/46
See application file for complete search history.

(56) **References Cited**

U.S. PATENT DOCUMENTS

3,455,301	A *	7/1969	Clark	A61F 5/41 D24/143
5,624,330	A *	4/1997	Tsuchida	A63B 60/00 473/308
5,711,721	A *	1/1998	Johnson	A63B 60/16 473/308
D393,678	S *	4/1998	Jones	D21/759
D434,822	S *	12/2000	Jacobson	D21/759

6,352,482	B1 *	3/2002	Jacobson	A63B 53/00 473/345
D537,896	S *	3/2007	Holt	D21/759
7,258,623	B2 *	8/2007	Halleck	A63B 60/16 473/308

(Continued)

FOREIGN PATENT DOCUMENTS

JP	2010125139	A	6/2010
JP	2010246595	A	11/2010

(Continued)

OTHER PUBLICATIONS

Hosel golf google search; google.com; Nov. 15, 2022.*

(Continued)

Primary Examiner — Mitchell I. Siegel

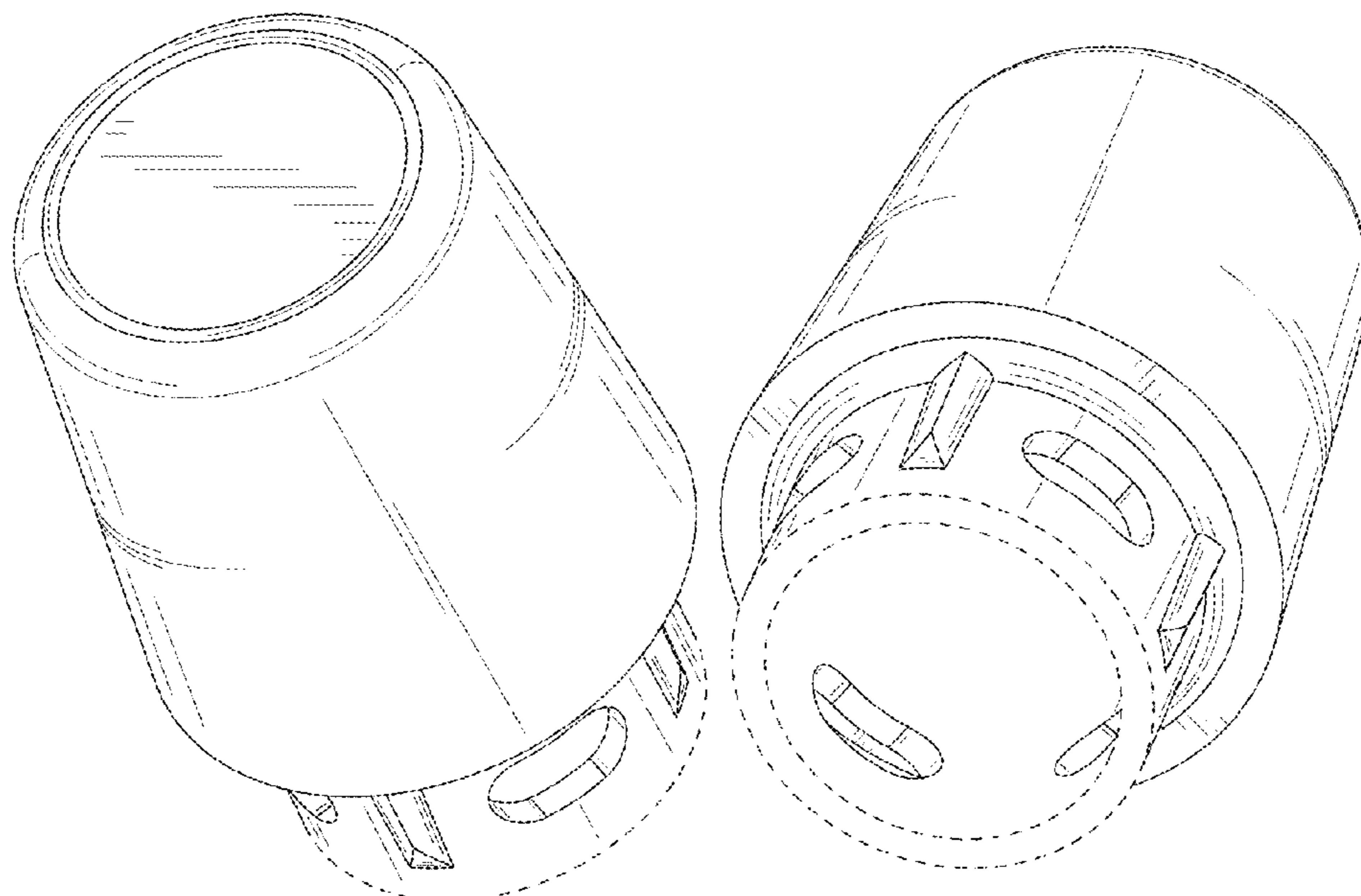
(57) **CLAIM**

The ornamental design for a golf club ferrule, as shown and described.

DESCRIPTION

FIG. 1 is a top perspective view of a golf club ferrule according to a first embodiment;
 FIG. 2 is a bottom perspective view of the golf club ferrule of FIG. 1;
 FIG. 3 is a front elevational view of the golf club ferrule of FIG. 1;
 FIG. 4 is a rear elevational view of the golf club ferrule of FIG. 1;
 FIG. 5 is a left side view of the golf club ferrule of FIG. 1;
 FIG. 6 is a right side view of the golf club ferrule of FIG. 1;
 FIG. 7 is a top view of the golf club ferrule of FIG. 1; and
 FIG. 8 is a bottom view of the golf club ferrule of FIG. 1.
 The broken lines shown on the drawings form no part of the claimed design.

1 Claim, 4 Drawing Sheets



(56)

References Cited

U.S. PATENT DOCUMENTS

7,819,754 B2 10/2010 Evans et al.
7,892,105 B2* 2/2011 Galloway A63B 60/00
473/307
8,012,037 B2 9/2011 Evans et al.
8,124,205 B2* 2/2012 Watanabe A63B 53/02
428/36.9
8,167,735 B2 5/2012 Evans et al.
8,226,496 B2* 7/2012 Galloway A63B 60/00
473/307
D682,378 S * 5/2013 Holt D21/759
D687,502 S * 8/2013 Oldknow D21/759
D687,504 S * 8/2013 Stokke D21/759
D689,575 S * 9/2013 Oldknow D21/759
D689,576 S * 9/2013 Oldknow D21/759
D689,577 S * 9/2013 Oldknow D21/759
9,119,997 B2 9/2015 Imamoto
D740,382 S 10/2015 Koo et al.

D758,514 S * 6/2016 Mandel D21/759
D773,576 S * 12/2016 Schweigert D21/759
10,130,856 B2* 11/2018 Boggs A63B 53/02
D840,483 S * 2/2019 Boggs D21/759
10,343,029 B2* 7/2019 Takeuchi A63B 53/02
2005/0032583 A1* 2/2005 Chiu A63B 53/02
473/308

FOREIGN PATENT DOCUMENTS

JP 5029120 B2 9/2012
JP 5625850 B2 11/2014

OTHER PUBLICATIONS

Pxg ferrule google search; google.com; Nov. 15, 2022.*
Ferrule google search; google.com; Nov. 15, 2022.*
Golf ferrule google search; google.com; Nov. 15, 2022.*

* cited by examiner

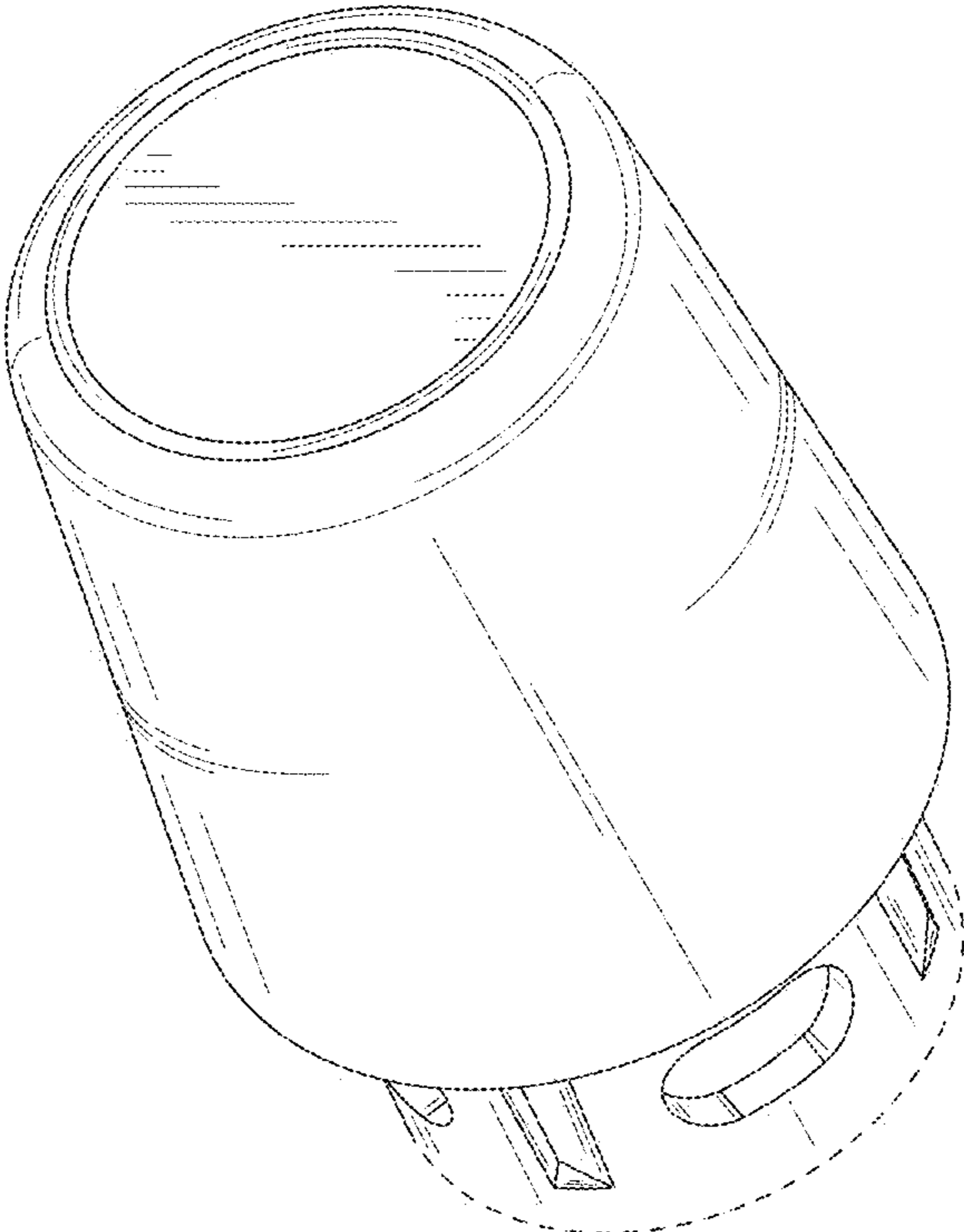


FIG. 1

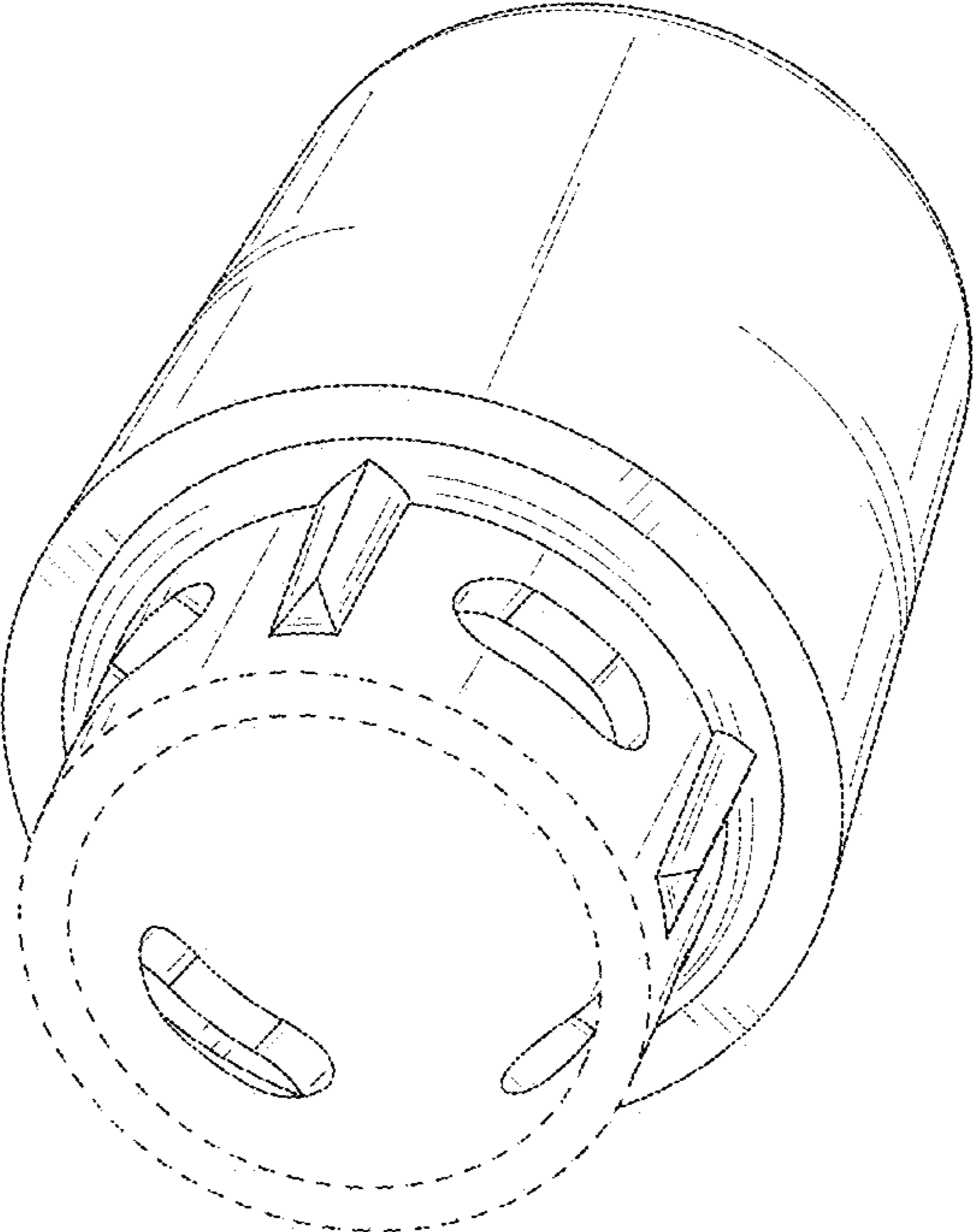


FIG. 2

FIG. 3

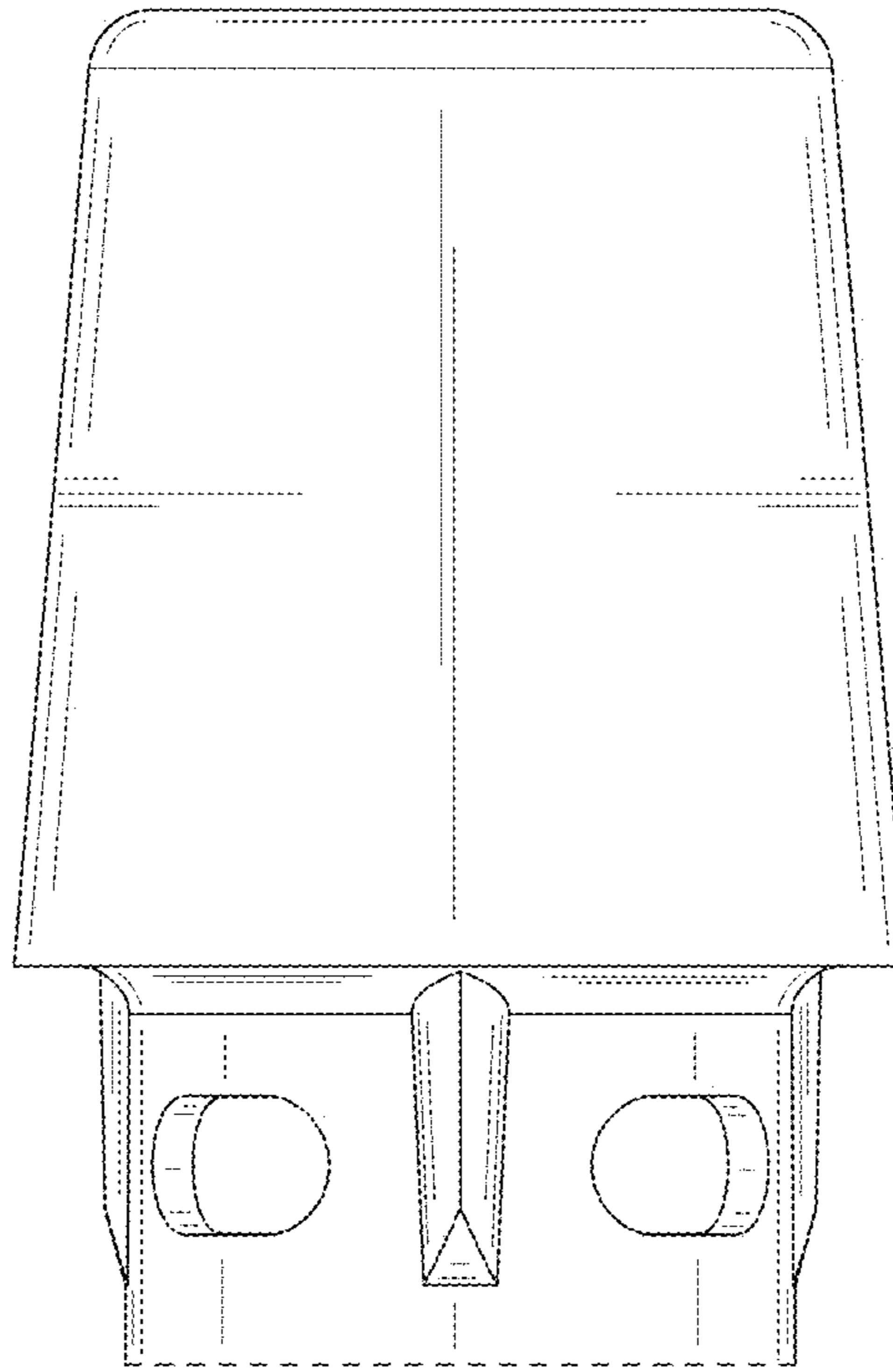


FIG. 4

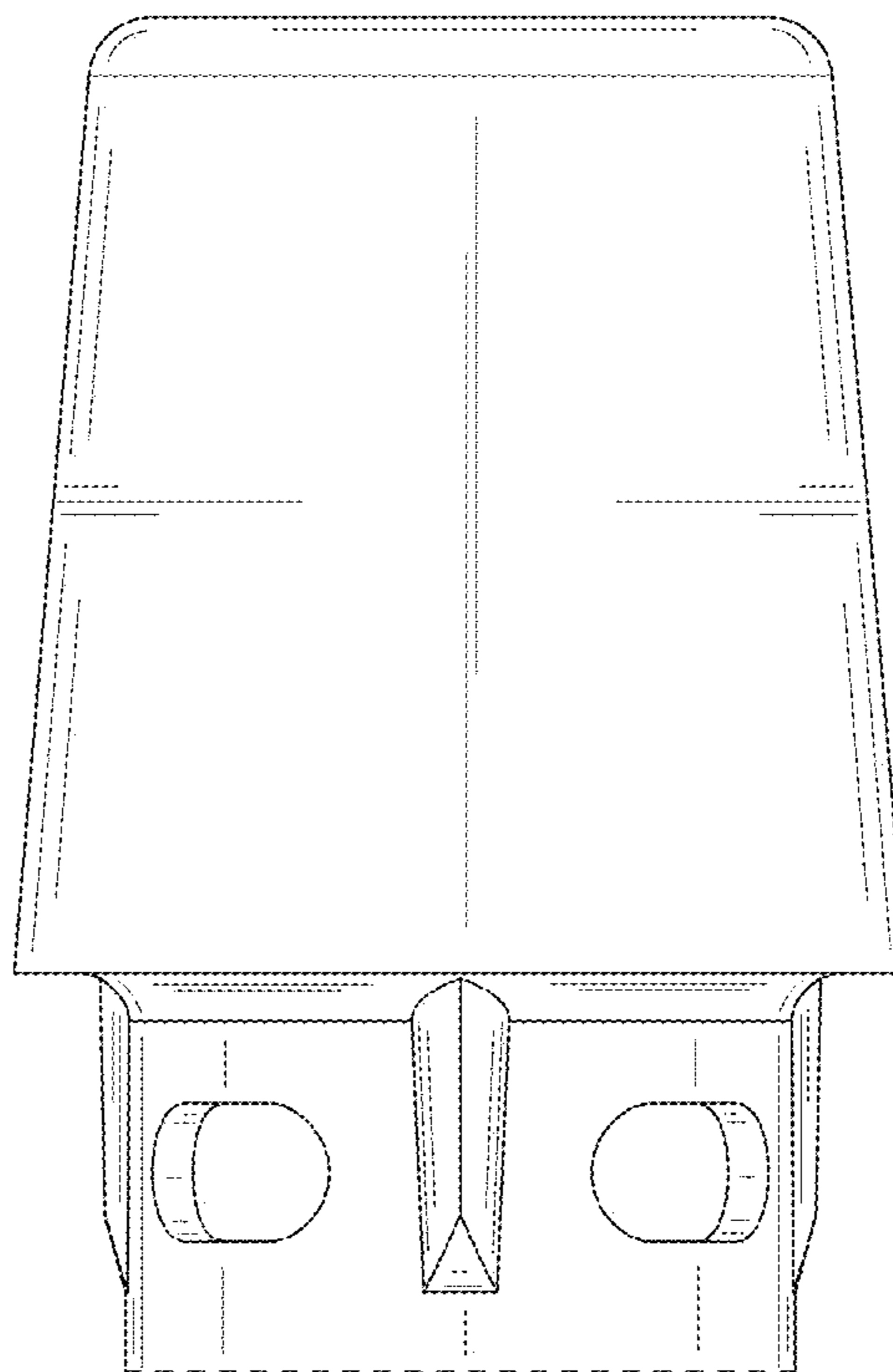


FIG. 5

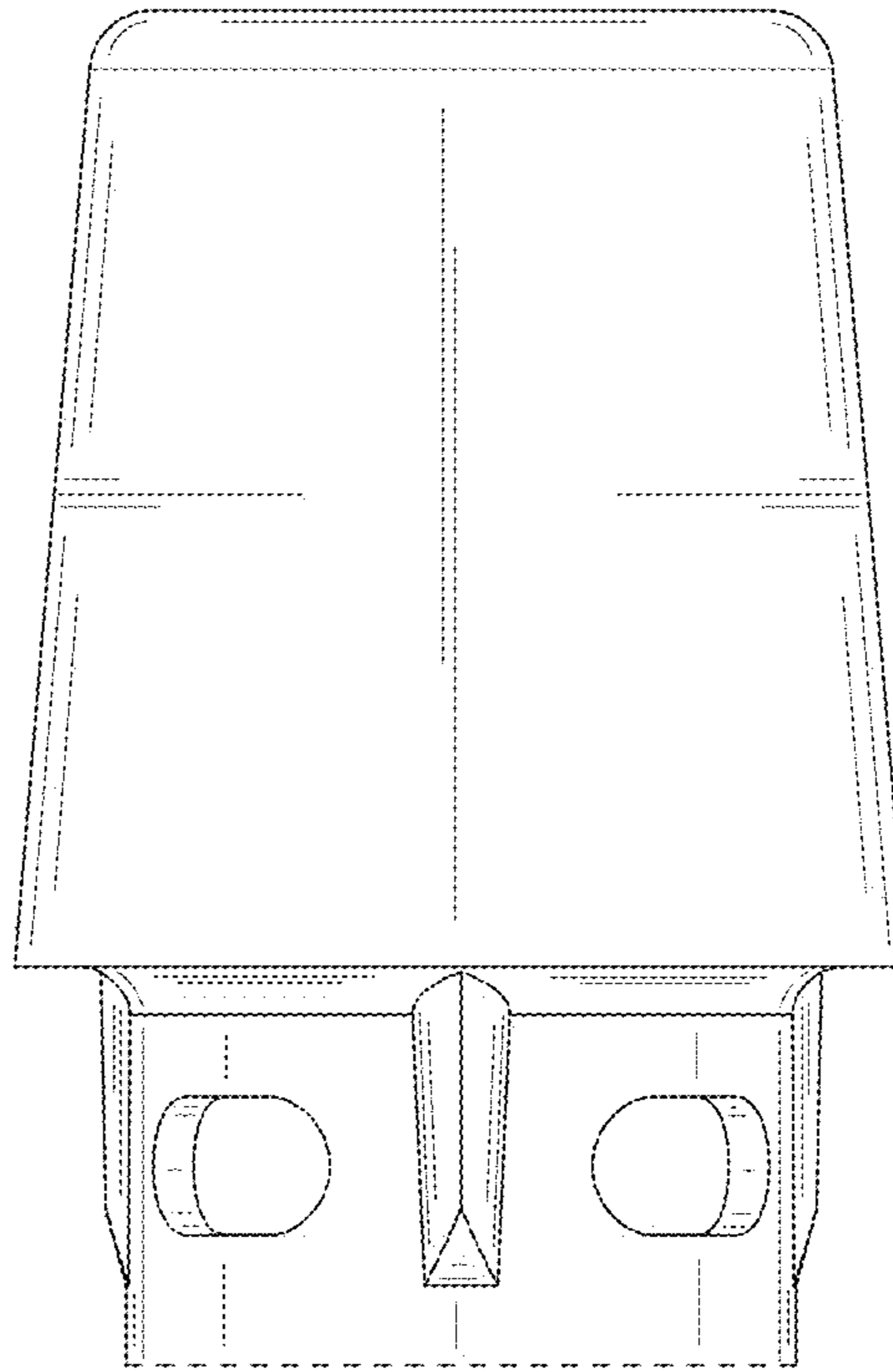
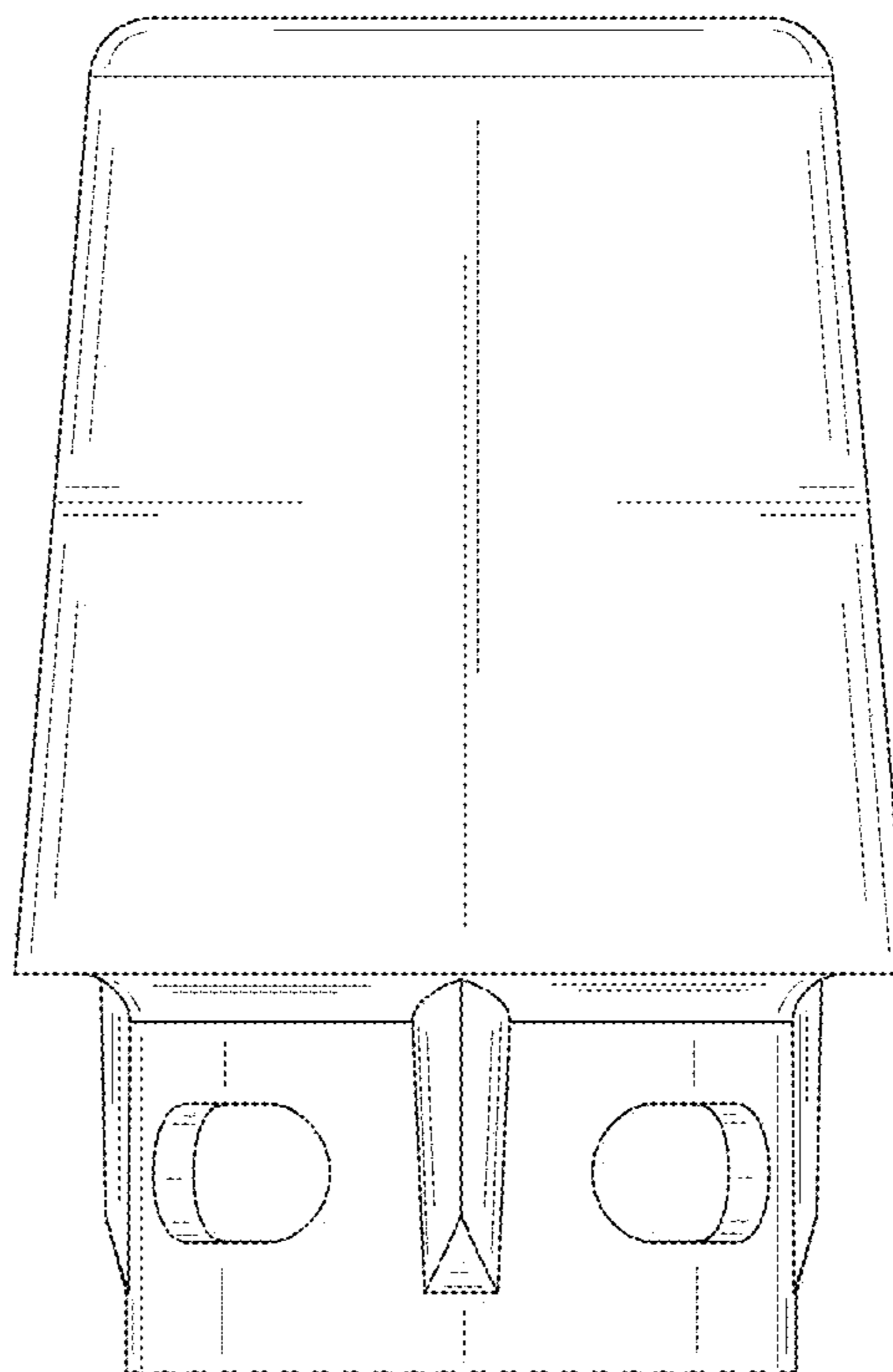


FIG. 6



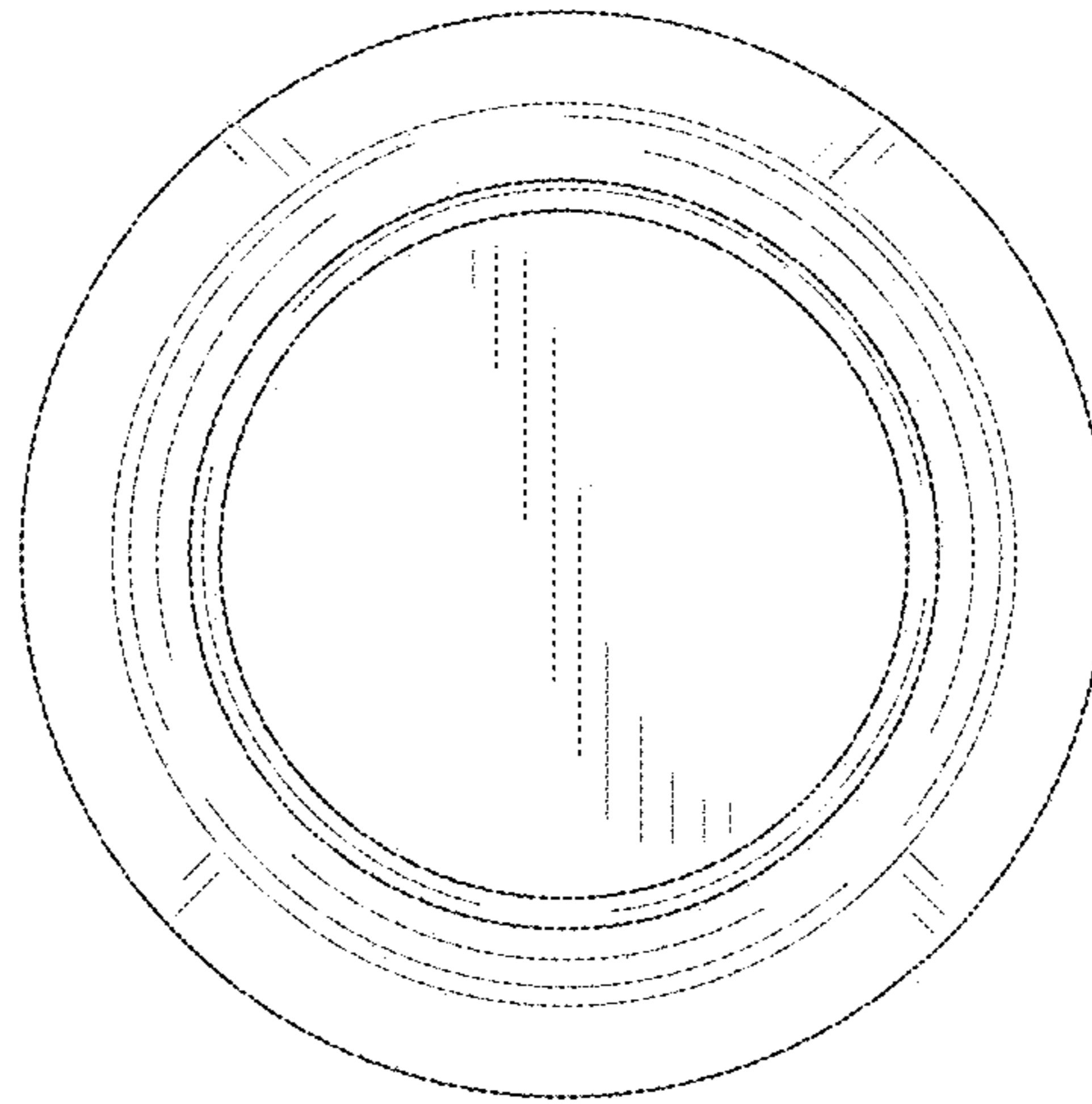


FIG. 7

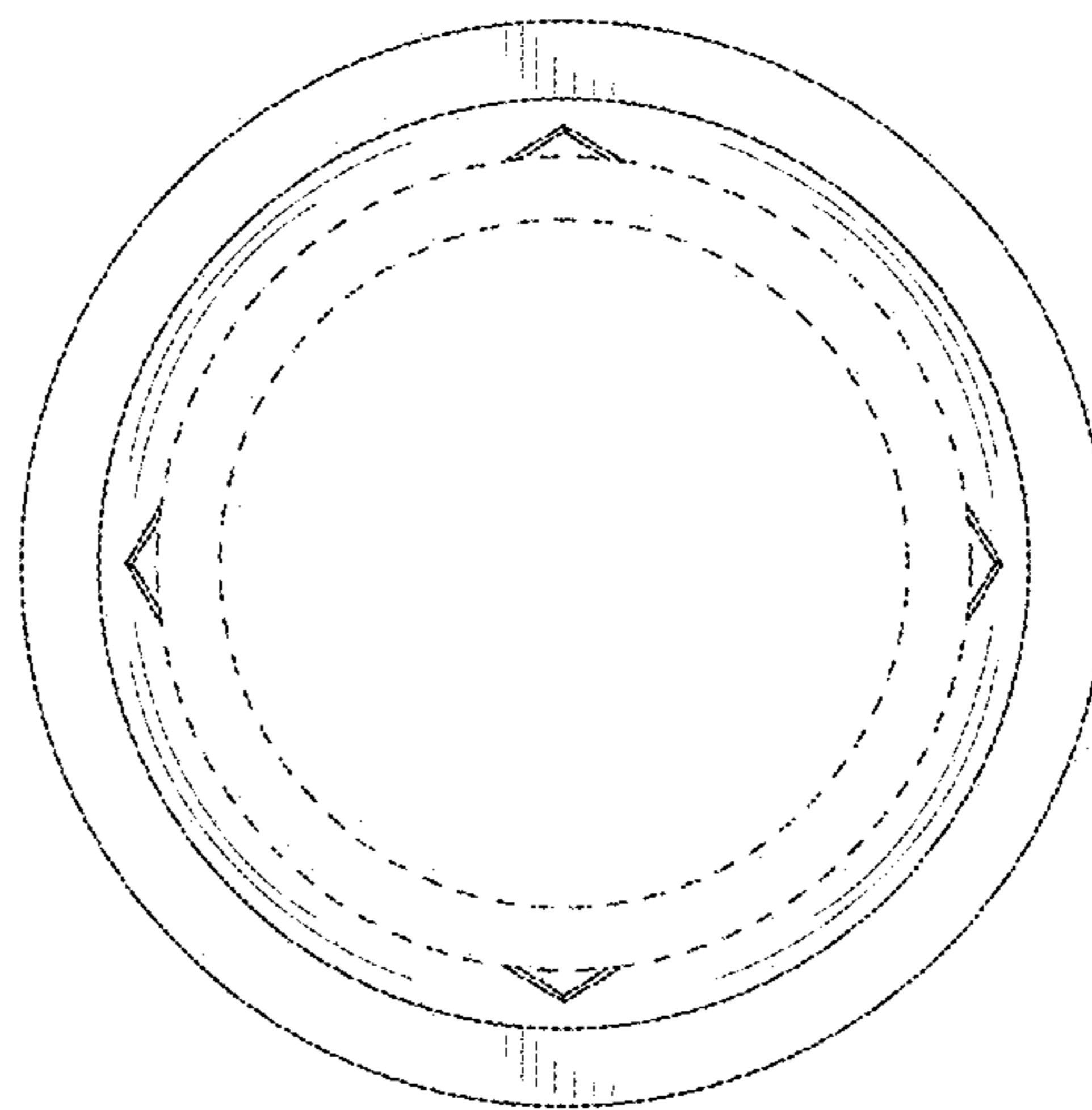


FIG. 8