



US00D979680S

(12) **United States Design Patent**
Wang et al.

(10) **Patent No.:** **US D979,680 S**
(45) **Date of Patent:** **** *Feb. 28, 2023**

(54) **GOLF CLUB HEAD**

(71) Applicant: **KARSTEN MANUFACTURING CORPORATION**, Phoenix, AZ (US)

(72) Inventors: **Calvin S. Wang**, Chandler, AZ (US);
David A. Higdon, Cave Creek, AZ (US)

(73) Assignee: **Karsten Manufacturing Association**, Phoenix, AZ (US)

(*) Notice: This patent is subject to a terminal disclaimer.

(**) Term: **15 Years**

(21) Appl. No.: **29/724,105**

(22) Filed: **Feb. 12, 2020**

(51) **LOC (14) Cl.** **21-02**

(52) **U.S. Cl.**
USPC **D21/743**

(58) **Field of Classification Search**
USPC D21/736-746, 759
CPC A63B 53/00; A63B 53/04; A63B 53/007;
A63B 53/065; A63B 53/0487; A63B
60/00; A63B 60/46

See application file for complete search history.

(56) **References Cited**

U.S. PATENT DOCUMENTS

D207,227 S	3/1967	Solheim
D239,951 S	5/1976	Carrier
4,030,766 A	6/1977	Derr
D316,129 S	4/1991	Bryson
5,275,412 A	1/1994	Innes
5,685,784 A	11/1997	Butler

(Continued)

FOREIGN PATENT DOCUMENTS

CN	2920325 Y	7/2007
CN	103252065 A	8/2013

(Continued)

OTHER PUBLICATIONS

Ping putters google search; google.com; Jun. 7, 2022.*

(Continued)

Primary Examiner — Mitchell I. Siegel

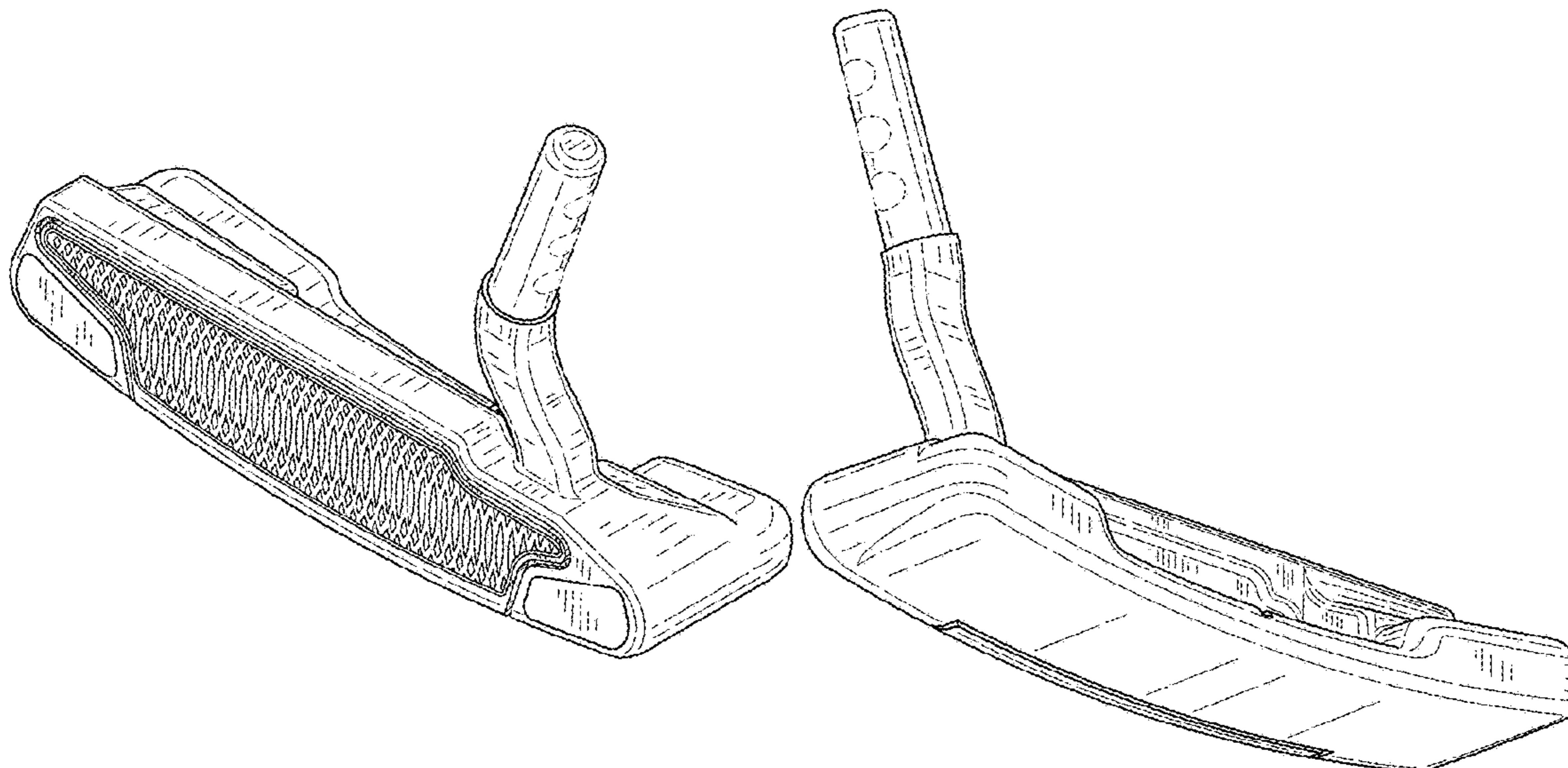
(57) **CLAIM**

The ornamental design for a golf club head, as shown and described.

DESCRIPTION

FIG. 1 is a top perspective view of a golf club head; FIG. 2 is a bottom perspective view of the golf club head of FIG. 1; FIG. 3 is a top view of the golf club head of FIG. 1; FIG. 4 is a bottom view of the golf club head of FIG. 1; FIG. 5 is a front view of the golf club head of FIG. 1; FIG. 6 is a rear view of the golf club head of FIG. 1; FIG. 7 is a heel side view of the golf club head of FIG. 1; FIG. 8 is a toe side view of the golf club head of FIG. 1; FIG. 9 is a top perspective view of another embodiment of a golf club head; FIG. 10 is a bottom perspective view of the golf club head of FIG. 9; FIG. 11 is a top view of the golf club head of FIG. 9; FIG. 12 is a bottom view of the golf club head of FIG. 9; FIG. 13 is a front view of the golf club head of FIG. 9; FIG. 14 is a rear view of the golf club head of FIG. 9; FIG. 15 is a heel side view of the golf club head of FIG. 9; and, FIG. 16 is a toe side view of the golf club head of FIG. 9. The broken line showing is included for the purpose of illustrating unclaimed subject matter and forms no part of the claimed design.

1 Claim, 10 Drawing Sheets



(56)

References Cited

U.S. PATENT DOCUMENTS

D389,207 S * 1/1998 Cameron D21/742
 5,746,664 A 5/1998 Reynolds, Jr.
 6,048,275 A 4/2000 Gedeon
 D426,599 S 6/2000 Morgan
 D426,600 S 6/2000 Valentine
 D443,906 S * 6/2001 Hettinger D21/743
 D449,085 S 10/2001 Breier
 D454,379 S 3/2002 Solheim et al.
 6,379,259 B1 4/2002 Opie
 D485,320 S 1/2004 Breier
 D488,526 S 4/2004 Souza
 D498,276 S 11/2004 Schweigert
 D500,109 S 12/2004 Solheim
 D500,110 S 12/2004 Solheim
 6,837,801 B1 1/2005 Souza
 6,878,071 B1 4/2005 Schweiger
 6,893,355 B2 5/2005 Souza
 6,902,496 B2 6/2005 Solheim
 D507,612 S 7/2005 Souza
 6,926,615 B1 8/2005 Souza
 6,960,140 B2 11/2005 Solheim
 6,966,845 B2 11/2005 Solheim
 D520,584 S 5/2006 Karlsen
 D521,580 S * 5/2006 Burrows D21/736
 D521,582 S 5/2006 Souza
 7,052,411 B2 5/2006 Solheim
 D522,598 S 6/2006 Solheim
 7,077,758 B2 7/2006 Rohrer
 7,086,957 B2 8/2006 Solheim
 D527,777 S 9/2006 Solheim
 D529,108 S 9/2006 Stites
 D532,847 S 11/2006 Rollinson
 D533,243 S 12/2006 Fife
 D535,712 S 1/2007 Toroussian
 7,235,021 B2 6/2007 Solheim
 D548,294 S * 8/2007 Nguyen D21/736
 D548,295 S 8/2007 Jertson
 7,255,650 B2 8/2007 Bryant
 D552,196 S * 10/2007 Hueber D21/742
 D552,197 S 10/2007 Wells
 D562,921 S 2/2008 Nguyen
 D565,137 S 3/2008 Oldknow
 D569,462 S 5/2008 Rollinson
 7,371,185 B1 5/2008 Rohrer
 D581,473 S 11/2008 Thomas
 D583,003 S 12/2008 Solheim
 D583,887 S * 12/2008 Cameron D21/743
 D590,462 S * 4/2009 Hettinger D21/743
 D595,372 S 6/2009 Rollinson
 D599,423 S 9/2009 Serrano
 D600,760 S 9/2009 Serrano
 D600,761 S 9/2009 Solheim
 D600,762 S 9/2009 Serrano
 7,601,076 B2 10/2009 Rollinson
 D607,950 S 1/2010 Souza
 D620,993 S * 8/2010 Laub D21/746
 D621,458 S 8/2010 Serrano
 D621,460 S 8/2010 Serrano
 D621,461 S 8/2010 Serrano
 D621,462 S 8/2010 Serrano
 D621,891 S 8/2010 Serrano
 7,803,066 B2 9/2010 Solheim
 7,815,515 B1 10/2010 Hunt
 D629,856 S 12/2010 Parkinson
 7,927,226 B1 * 4/2011 Twitty A63B 53/0487
 473/251
 D638,891 S 5/2011 Nicolette
 D638,892 S 5/2011 Hettinger
 D640,341 S 6/2011 Foster et al.
 D643,080 S 8/2011 Serrano
 D643,486 S 8/2011 Nicolette
 D643,487 S 8/2011 Serrano

D643,893 S * 8/2011 Rollinson D21/742
 D648,407 S * 11/2011 Teramoto D21/743
 D650,453 S 12/2011 Rollinson
 D650,456 S 12/2011 Tang
 8,100,779 B2 1/2012 Solheim
 D653,718 S 2/2012 Stokke
 8,109,838 B2 2/2012 Solheim
 8,128,505 B2 3/2012 Tryner et al.
 D664,617 S 7/2012 Serrano
 D688,339 S * 8/2013 Hilton D21/736
 D691,225 S * 10/2013 Hilton D21/736
 D702,782 S 4/2014 Wempe
 D711,483 S * 8/2014 Wong D21/743
 9,033,812 B2 5/2015 Solheim
 D733,817 S 7/2015 Jorgenson
 D769,383 S * 10/2016 Abbott D21/743
 9,649,543 B2 5/2017 Solheim
 D792,929 S * 7/2017 Serrano D21/743
 D796,597 S * 9/2017 Serrano D21/736
 9,925,434 B2 3/2018 Solheim
 D817,424 S * 5/2018 Toulon D21/759
 D817,425 S 5/2018 Toulon
 D818,551 S * 5/2018 Toulon D21/759
 D832,379 S * 10/2018 Jertson D21/736
 D832,948 S 11/2018 Stokke
 D837,315 S * 1/2019 Rollinson D21/743
 D857,135 S * 8/2019 Serrano D21/736
 D857,819 S * 8/2019 Wang D21/743
 D859,544 S * 9/2019 Wang D21/736
 D869,581 S * 12/2019 Aguilar D21/743
 D869,582 S * 12/2019 Rollinson D21/743
 D869,583 S * 12/2019 Rollinson D21/743
 D874,590 S * 2/2020 Lee D21/743
 10,737,153 B2 * 8/2020 Schweigert A63B 53/0487
 D898,845 S * 10/2020 Clarke D21/743
 D912,746 S * 3/2021 Toulon D21/743
 D928,260 S 8/2021 Serrano
 2003/0083149 A1 5/2003 Scarpa et al.
 2005/0170904 A1 8/2005 Smeeth
 2006/0089206 A1 4/2006 Lo
 2006/0094533 A1 5/2006 Warren
 2006/0166755 A1 7/2006 Brown
 2007/0010348 A1 1/2007 Jung
 2007/0191135 A1 8/2007 Nilsson
 2008/0045353 A1 2/2008 Lo et al.
 2008/0096686 A1 4/2008 Bikhu
 2009/0270198 A1 10/2009 Solheim et al.
 2009/0305806 A1 12/2009 Campadore et al.
 2009/0305807 A1 12/2009 Solheim et al.
 2010/0048321 A1 2/2010 Beach et al.
 2010/0222155 A1 9/2010 Jones et al.
 2010/0227704 A1 9/2010 Souza
 2012/0115628 A1 5/2012 Woods
 2014/0179459 A1 6/2014 Schartiger et al.
 2015/0360099 A1 12/2015 Ban et al.
 2017/0266517 A1 * 9/2017 Bischmann A63B 53/0487
 2018/0311545 A1 * 11/2018 Lambeth B23P 15/00
 2020/0101357 A1 * 4/2020 Higdon A63B 53/065

FOREIGN PATENT DOCUMENTS

GB 2133295 A 7/1984
 JP 2001137400 A 5/2001
 JP D1651946 * 2/2020

OTHER PUBLICATIONS

<https://ping.com/en-us/clubs/putters/ping-2021> ; Jun. 7, 2022.*
<https://ping.com/en-us/clubs/putters/sigma-g> ; Jun. 7, 2022.*
 ‘Golf Magazine’, p. 87, vol. 42, No. 4.
 Edwin Watts Golf, “Wrap up the Holiday with Golf’s Big Hitters,”
 Edwin Watts Golf, Jan. 12, 2001, p. 47.

* cited by examiner

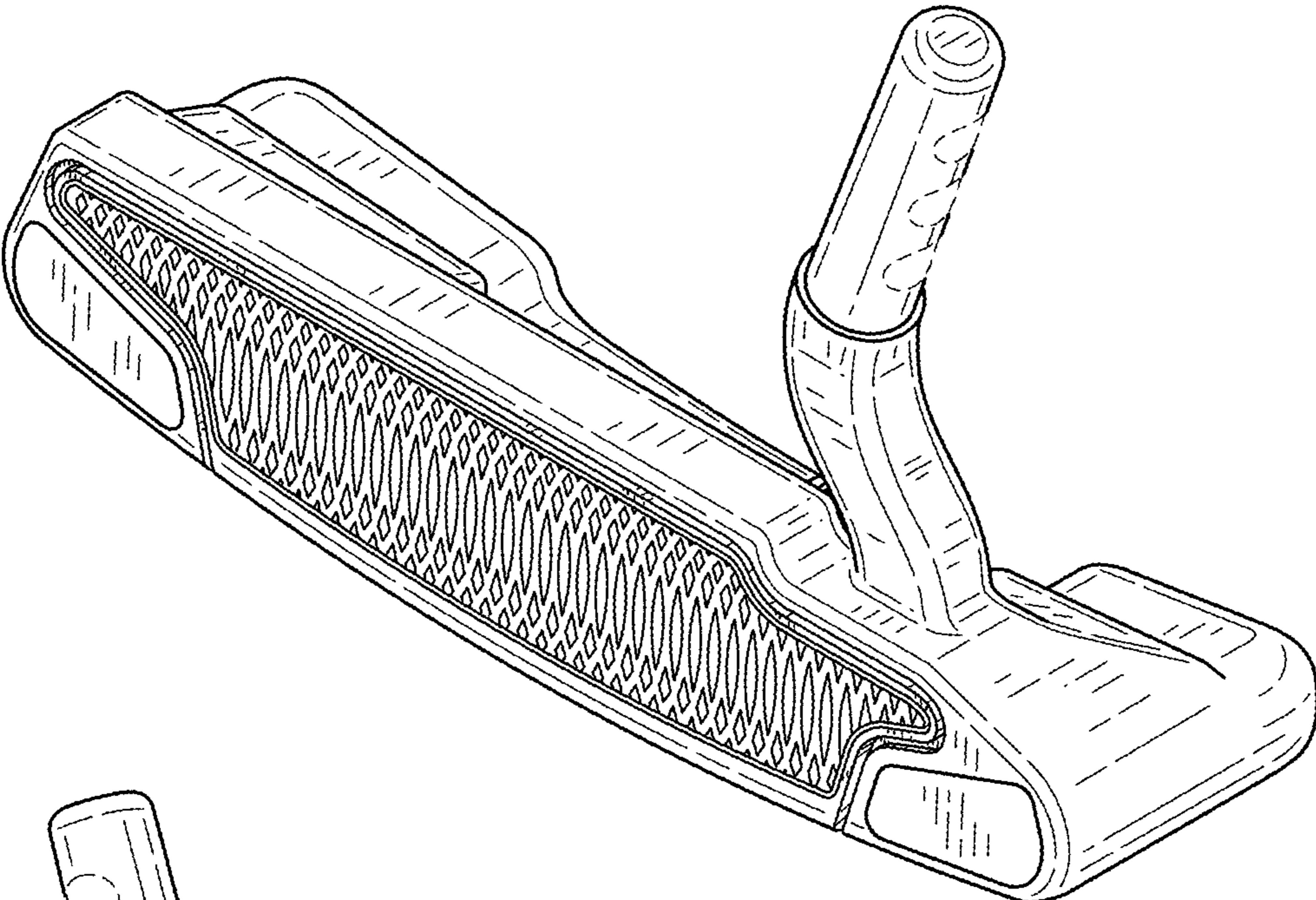


FIG.1

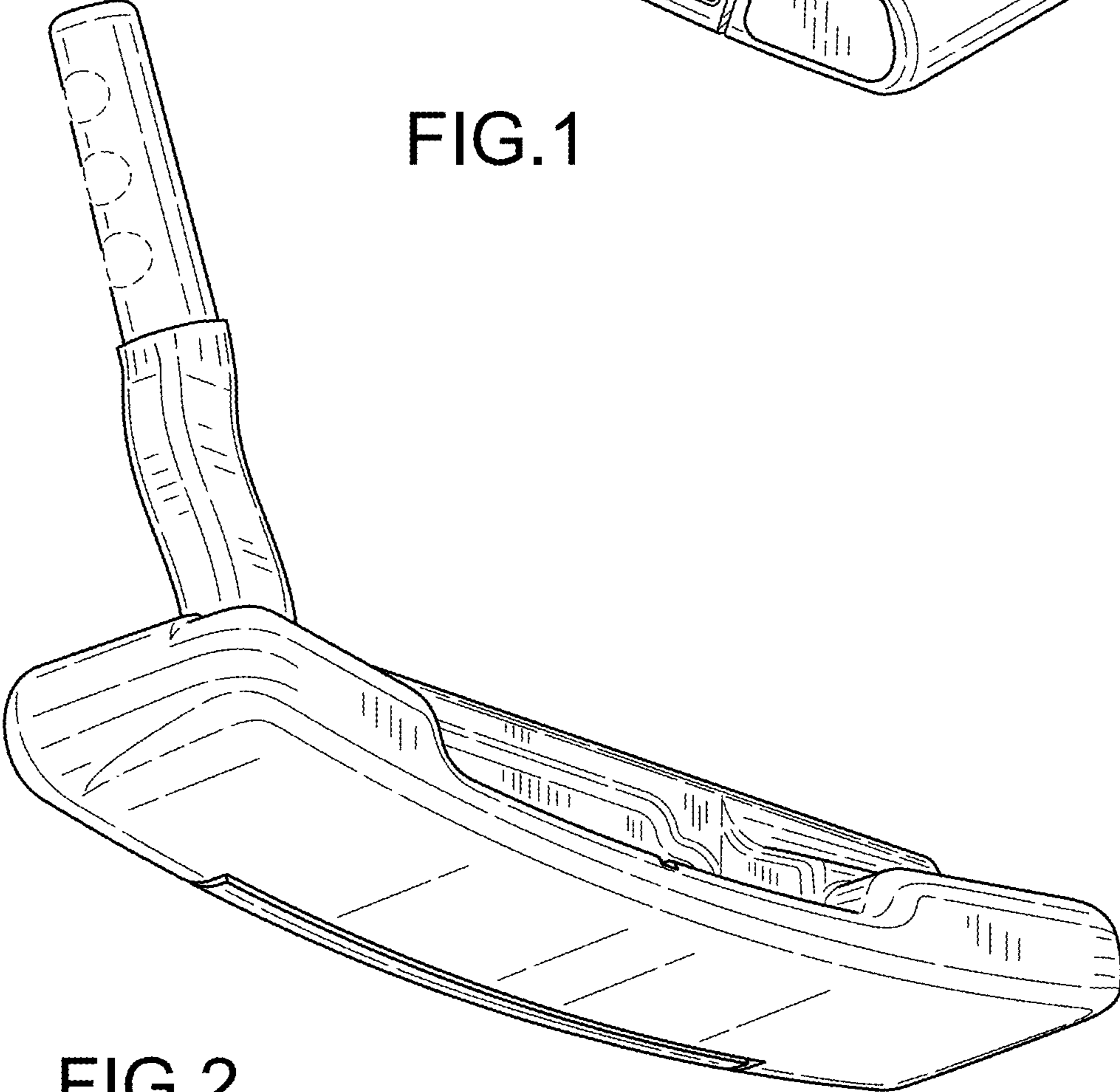


FIG.2

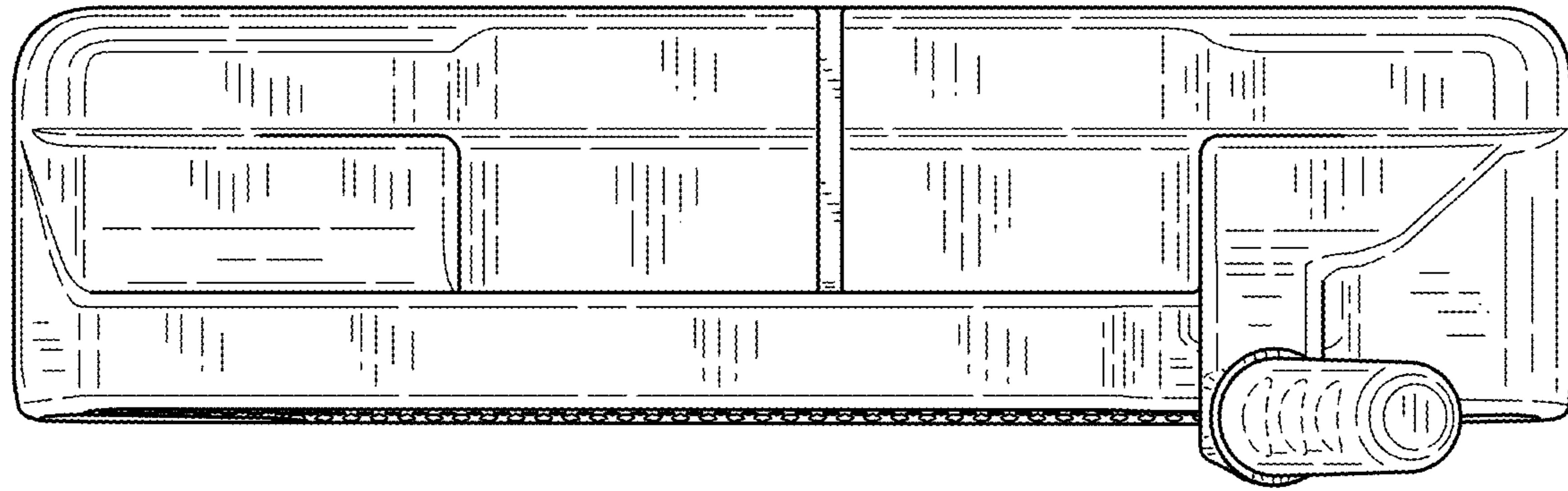


FIG.3

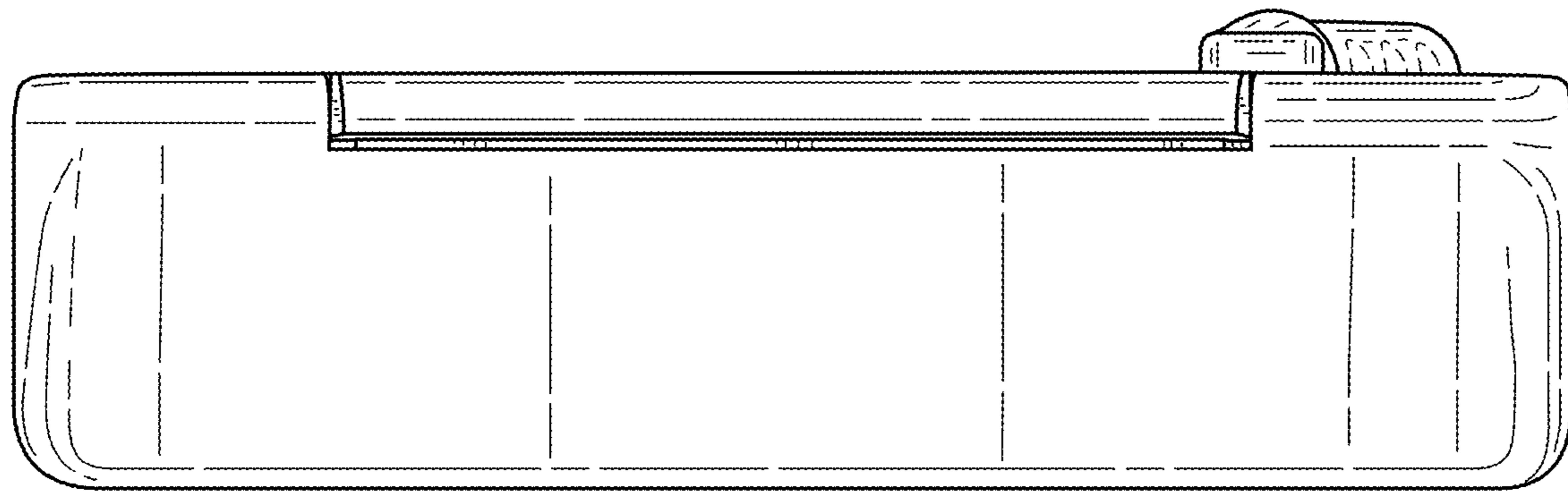


FIG.4

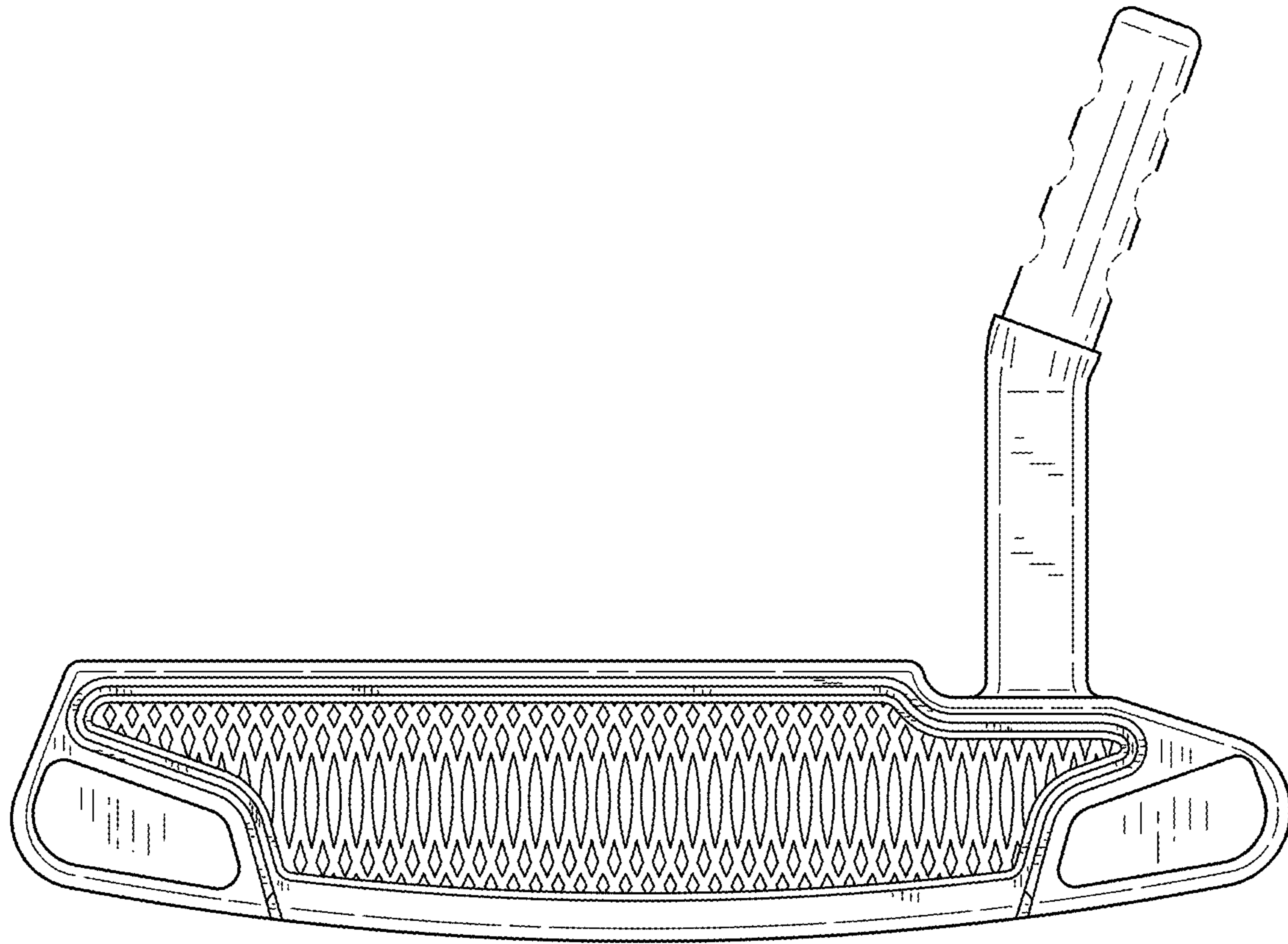


FIG.5

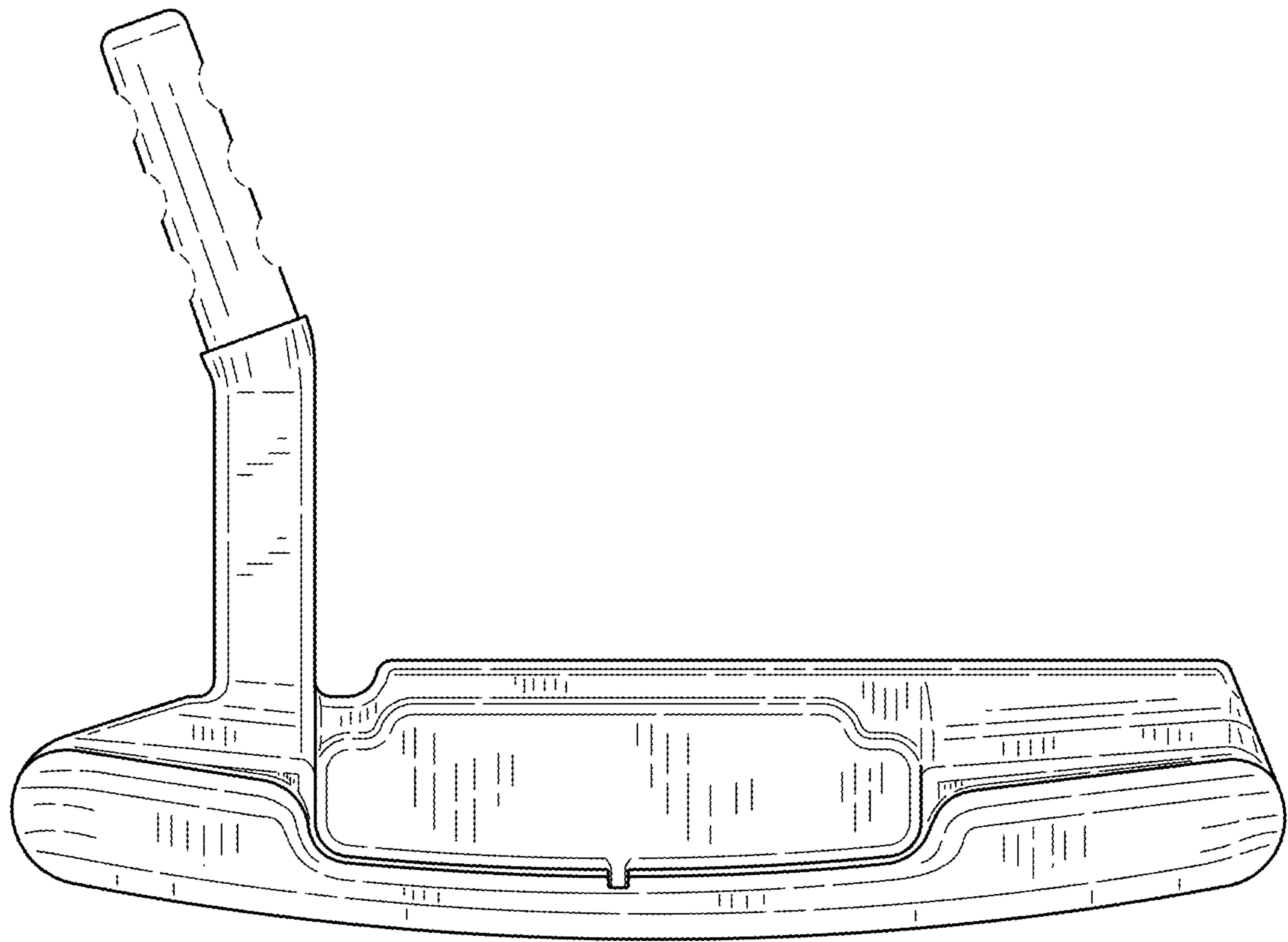


FIG.6

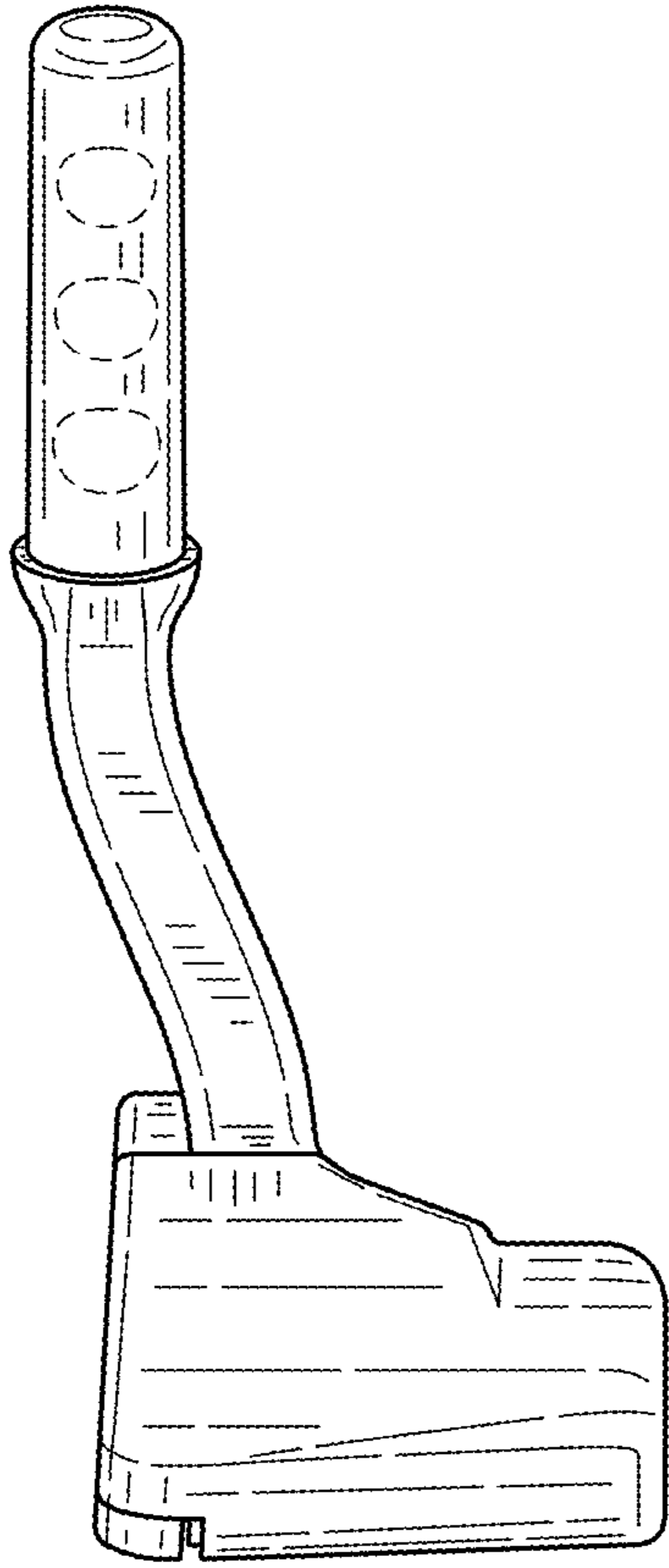


FIG. 7

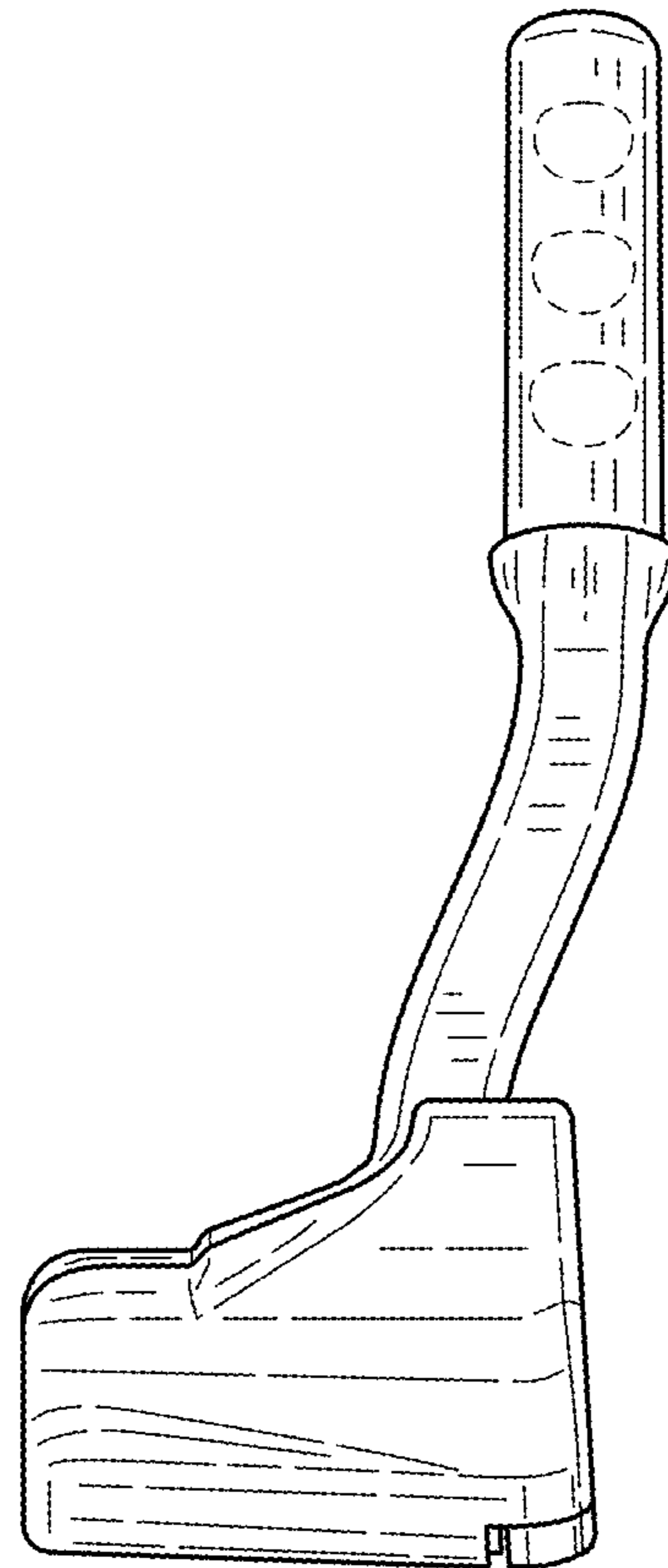


FIG. 8

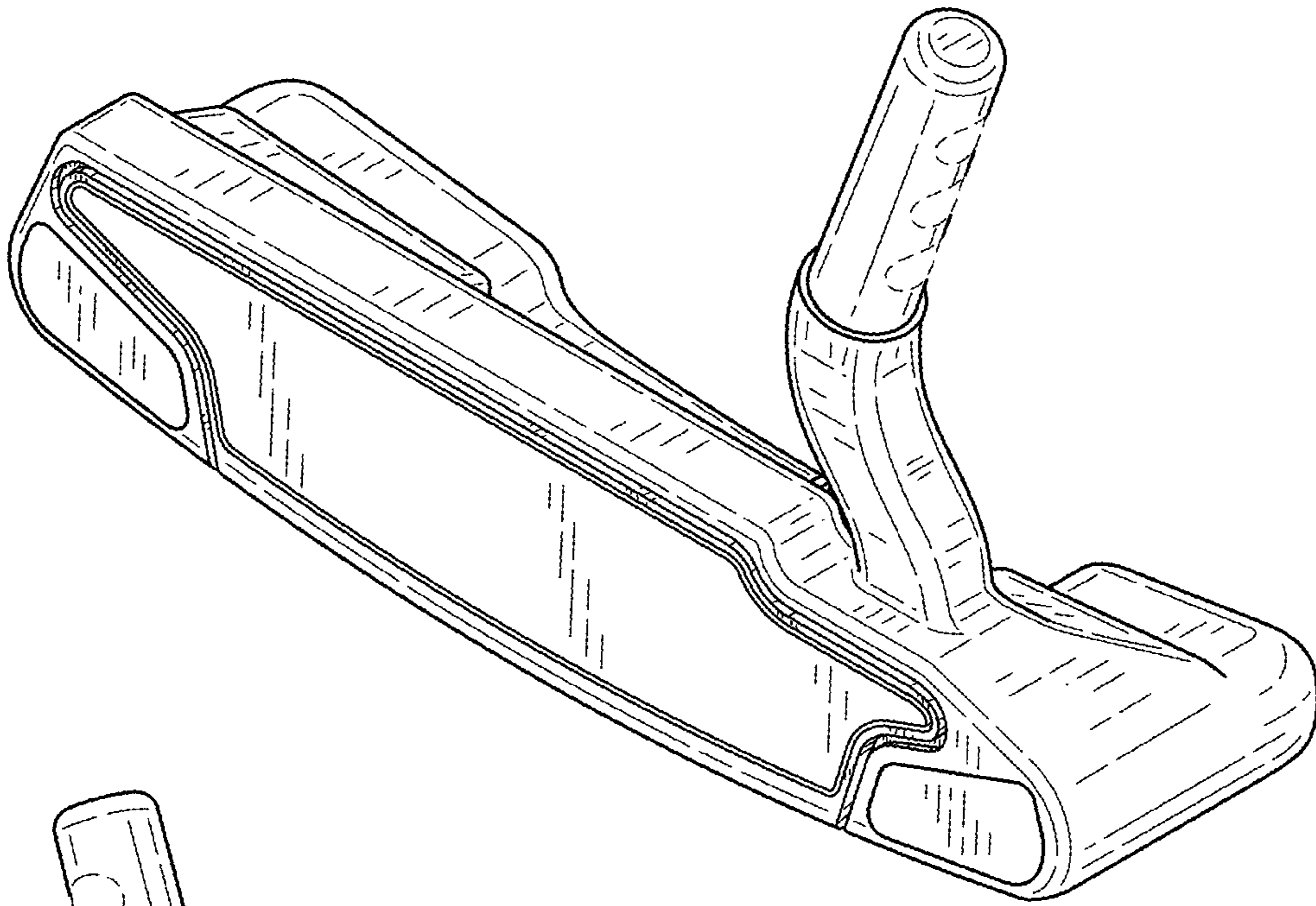


FIG. 9

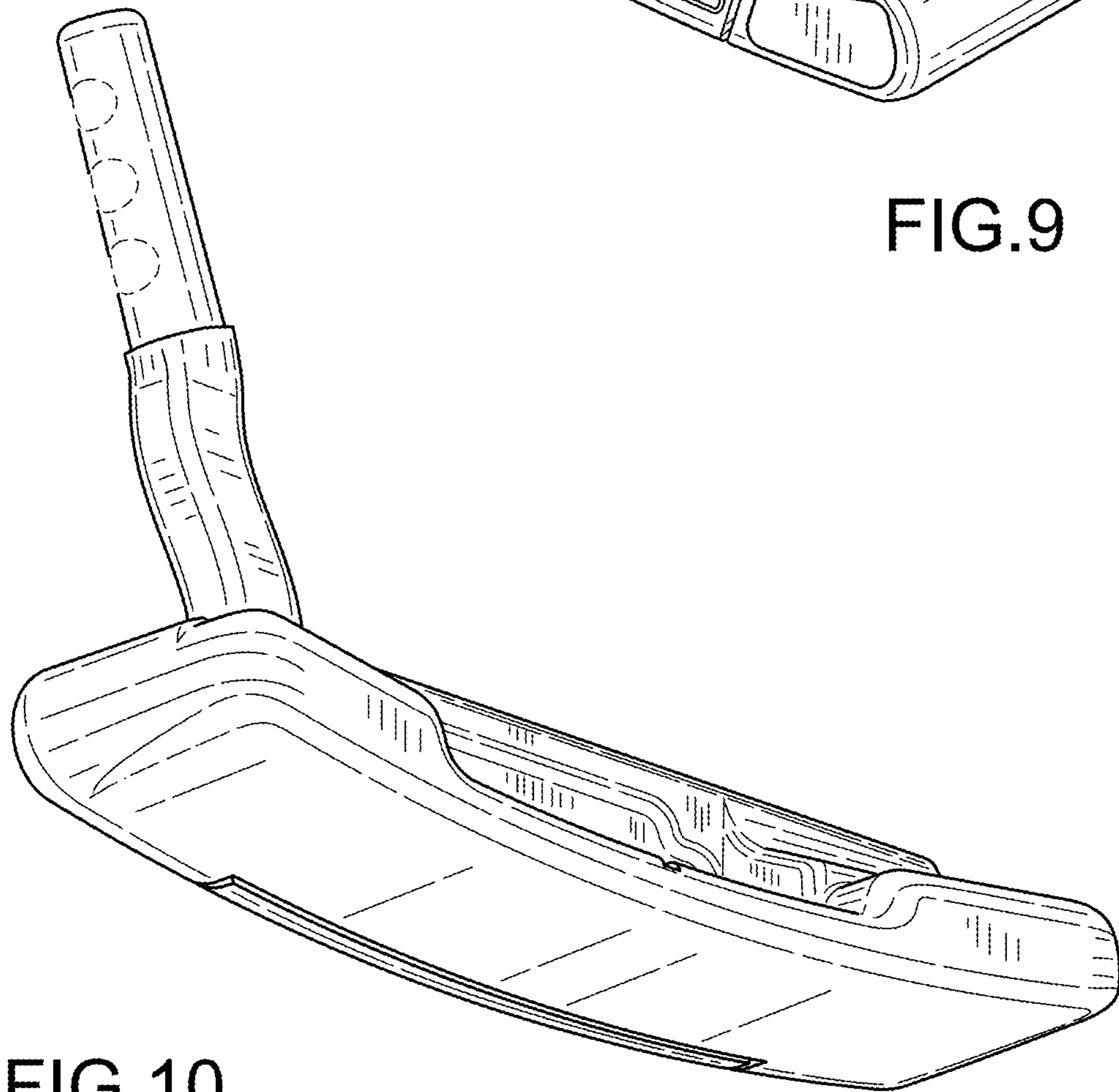


FIG. 10

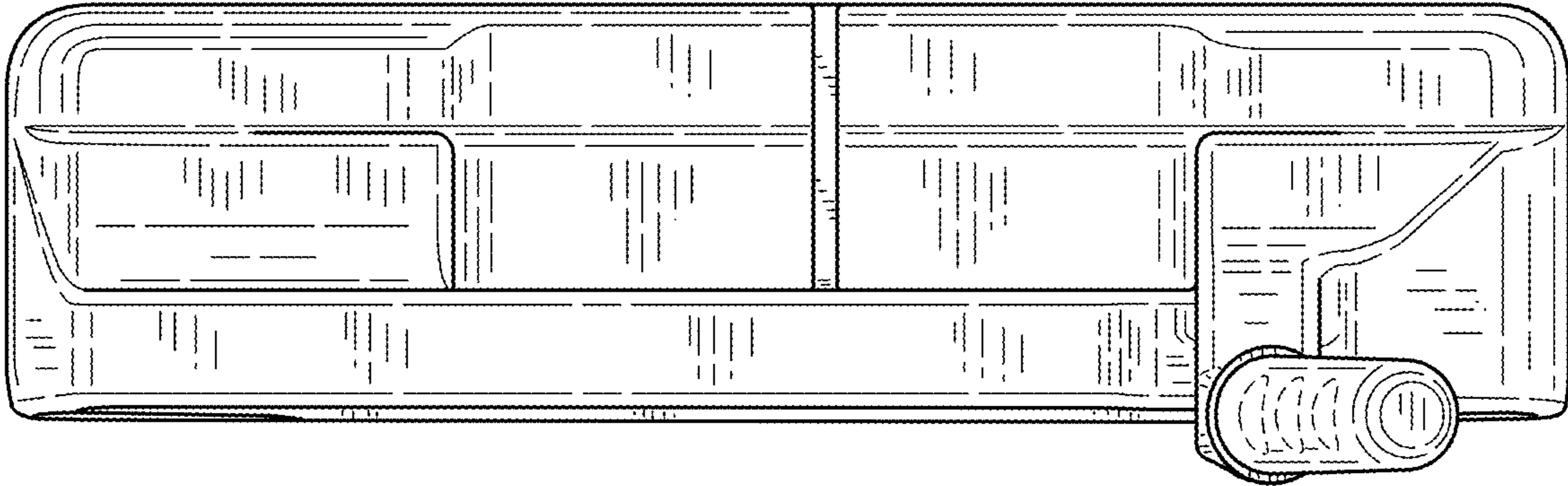


FIG.11

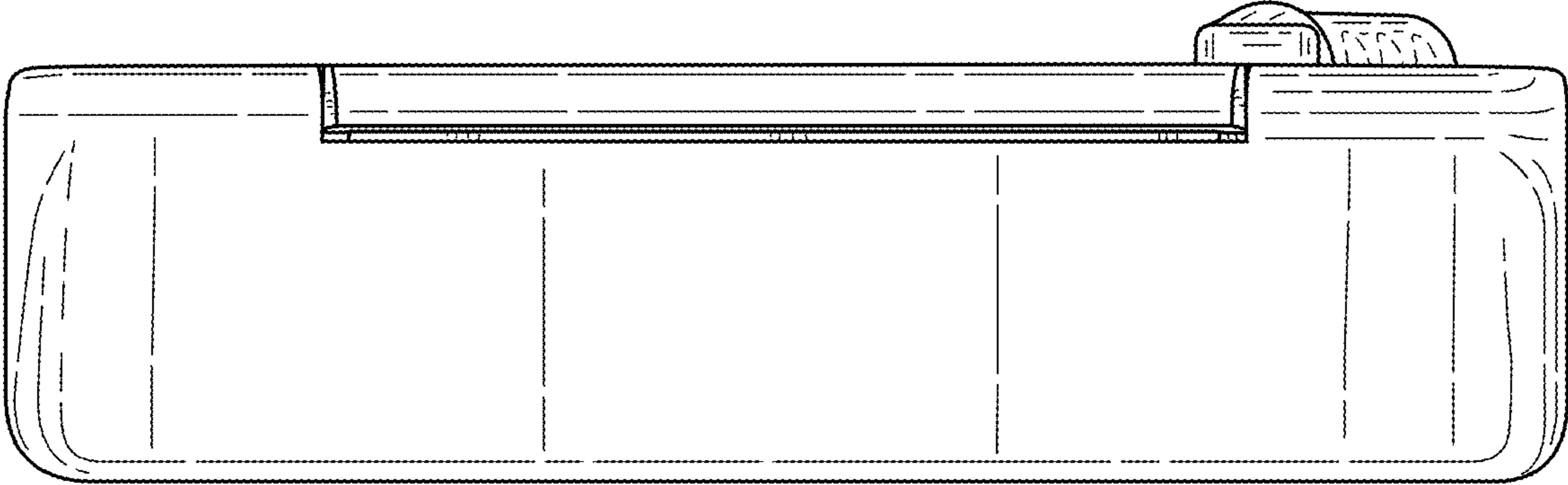


FIG.12

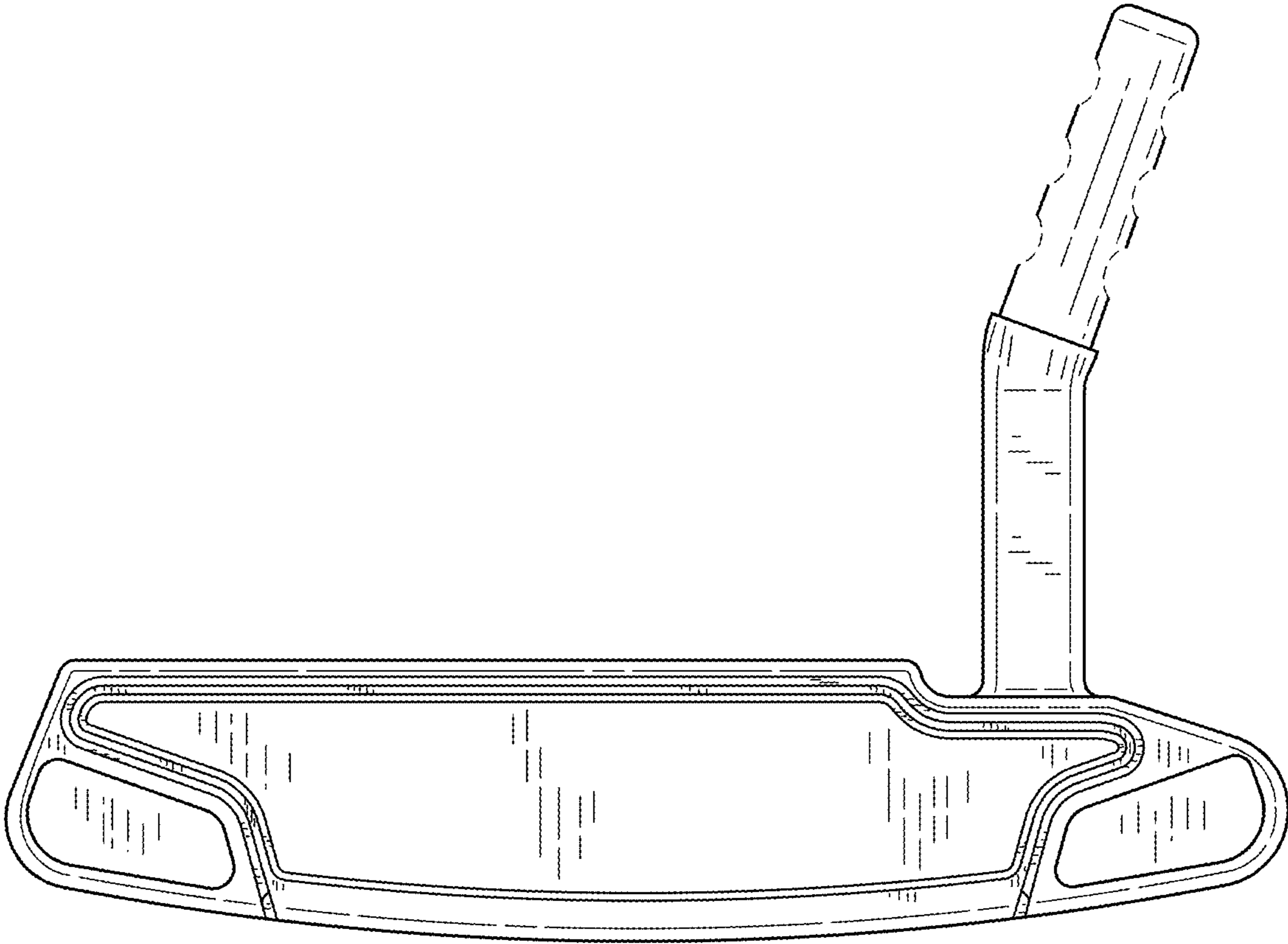


FIG.13

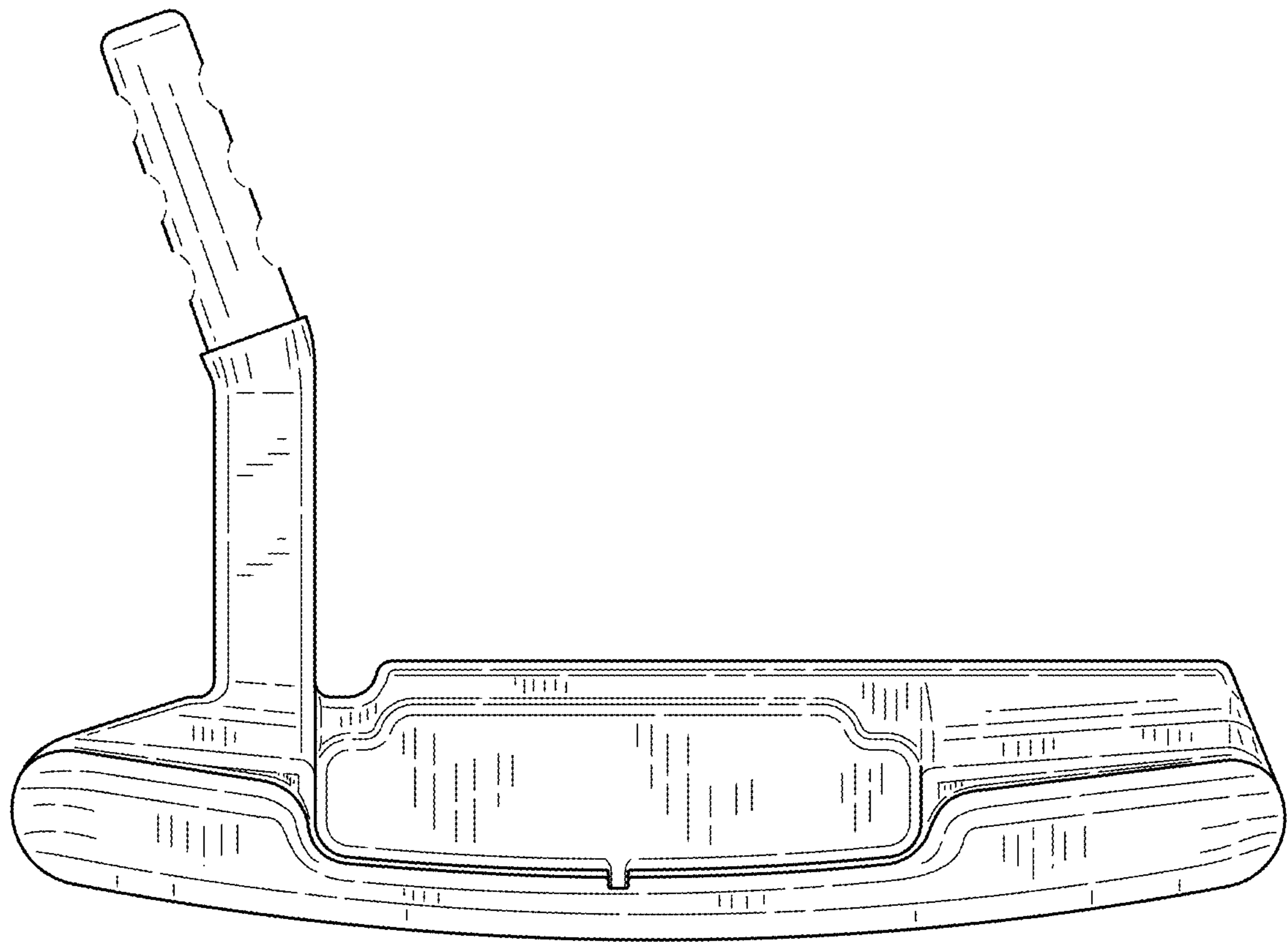


FIG. 14

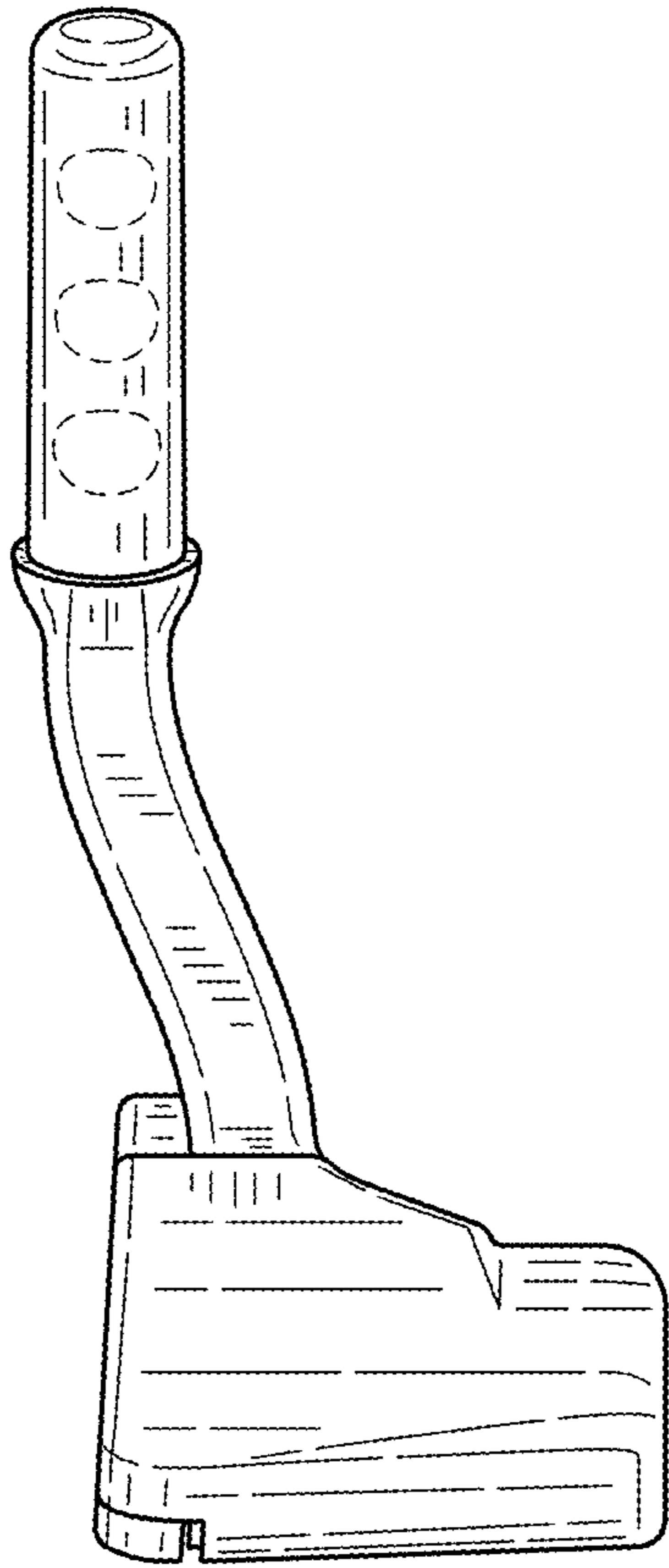


FIG. 15

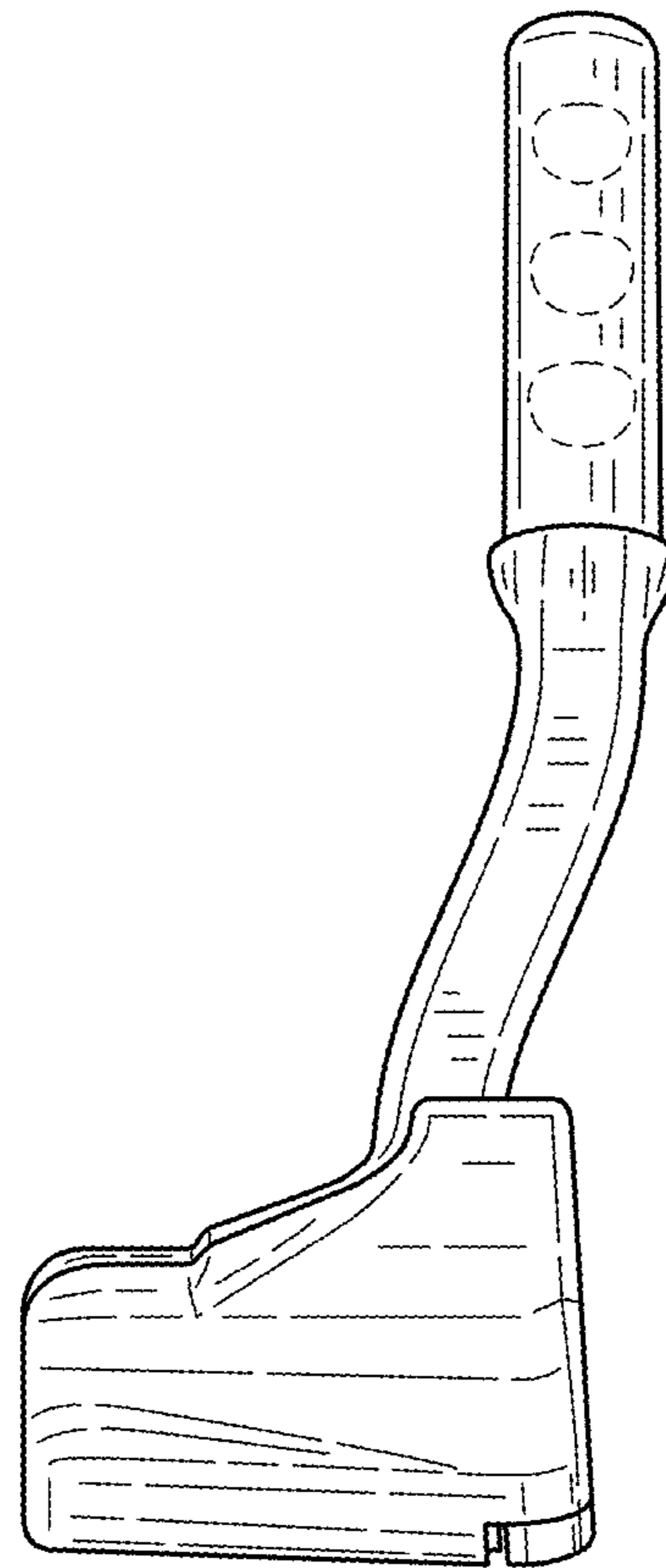


FIG. 16