

US00D979678S

(12) **United States Design Patent** (10) **Patent No.:** **US D979,678 S**
Toulon et al. (45) **Date of Patent:** **** Feb. 28, 2023**

(54) **PUTTER HEAD**

(71) Applicant: **Callaway Golf Company**, Carlsbad, CA (US)

(72) Inventors: **Sean Toulon**, Vista, CA (US); **Luke Williams**, Carlsbad, CA (US)

(73) Assignee: **Topgolf Callaway Brands Corp.**, Carlsbad, CA (US)

(**) Term: **15 Years**

(21) Appl. No.: **29/795,318**

(22) Filed: **Jun. 17, 2021**

(51) **LOC (14) Cl.** **21-02**

(52) **U.S. Cl.**
USPC **D21/736**

(58) **Field of Classification Search**
USPC D21/736-746, 759
CPC A63B 53/00; A63B 53/04; A63B 53/007;
A63B 53/065; A63B 53/0487; A63B
60/00; A63B 60/46
See application file for complete search history.

(56) **References Cited**

U.S. PATENT DOCUMENTS

D207,227	S	*	3/1967	Solheim	D21/739
D239,951	S	*	5/1976	Carrier	D21/742
D438,272	S	*	2/2001	Moore	D21/736
D498,276	S	*	11/2004	Schweigert	D21/743
D535,712	S	*	1/2007	Toroussian	D21/749
D583,887	S	*	12/2008	Cameron	D21/743
D638,892	S	*	5/2011	Hettinger	D21/743
D643,893	S	*	8/2011	Rollinson	D21/742
D650,456	S	*	12/2011	Tang	D21/743
D688,339	S	*	8/2013	Hilton	D21/736
D689,574	S	*	9/2013	Rollinson	D21/743
D702,782	S	*	4/2014	Wempe	D21/743
9,033,812	B2	*	5/2015	Solheim	A63B 53/007 473/409
9,649,543	B2	*	5/2017	Solheim	A63B 53/007

D796,597	S	*	9/2017	Serrano	D21/736
9,925,434	B2	*	3/2018	Solheim	A63B 53/007
D817,425	S	*	5/2018	Toulon	D21/759
9,956,463	B2	*	5/2018	Franklin	A63B 60/54
D837,315	S	*	1/2019	Rollinson	D21/743
10,173,105	B2	*	1/2019	Myers	A63B 53/0487
D852,301	S	*	6/2019	Serrano	D21/743
D857,135	S	*	8/2019	Serrano	D21/736
D859,544	S	*	9/2019	Wang	D21/736
D860,351	S	*	9/2019	Rollinson	D21/743
D865,090	S	*	10/2019	Rollinson	D21/743
D869,581	S	*	12/2019	Aguilar	D21/743
D898,845	S	*	10/2020	Clarke	D21/743
D907,147	S	*	1/2021	Agrella	D21/743

(Continued)

OTHER PUBLICATIONS

Golf putters google search; google.com; Dec. 8, 2022.*
Odyssey golf putters; callawaygolf.com; Dec. 8, 2022.*

Primary Examiner — Mitchell I. Siegel
(74) *Attorney, Agent, or Firm* — Michael A. Catania;
Rebecca Hanovice; Sonia Lari

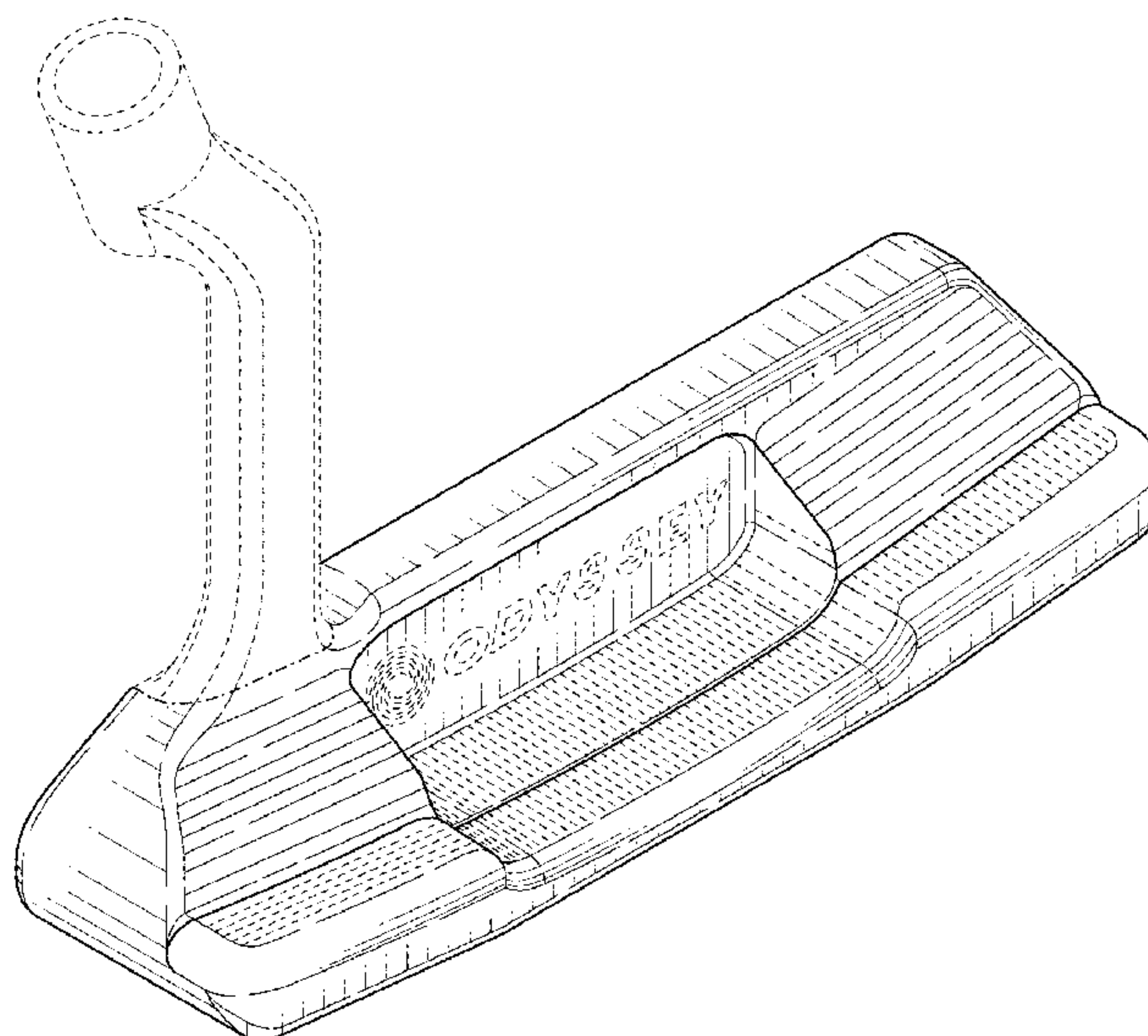
(57) **CLAIM**

The ornamental design for a putter head, as shown and described.

DESCRIPTION

FIG. 1 is a rear perspective view of the putter head claimed herein;
FIG. 2 is a front elevational view thereof;
FIG. 3 is a rear elevational view thereof;
FIG. 4 is a left side elevational view thereof;
FIG. 5 is a right side elevational view thereof;
FIG. 6 is a top plan view thereof; and,
FIG. 7 is a bottom perspective view thereof.
The broken lines shown form no part of the claimed design.

1 Claim, 4 Drawing Sheets



(56)

References Cited

U.S. PATENT DOCUMENTS

D928,260	S	*	8/2021	Serrano	D21/743
D963,089	S	*	9/2022	Wang	D21/743
D965,090	S	*	9/2022	Clarke	D21/743
D967,914	S	*	10/2022	Higdon	D21/743
D972,058	S	*	12/2022	Clarke	D21/743
2010/0222155	A1	*	9/2010	Jones	A63B 53/0487 473/341

* cited by examiner

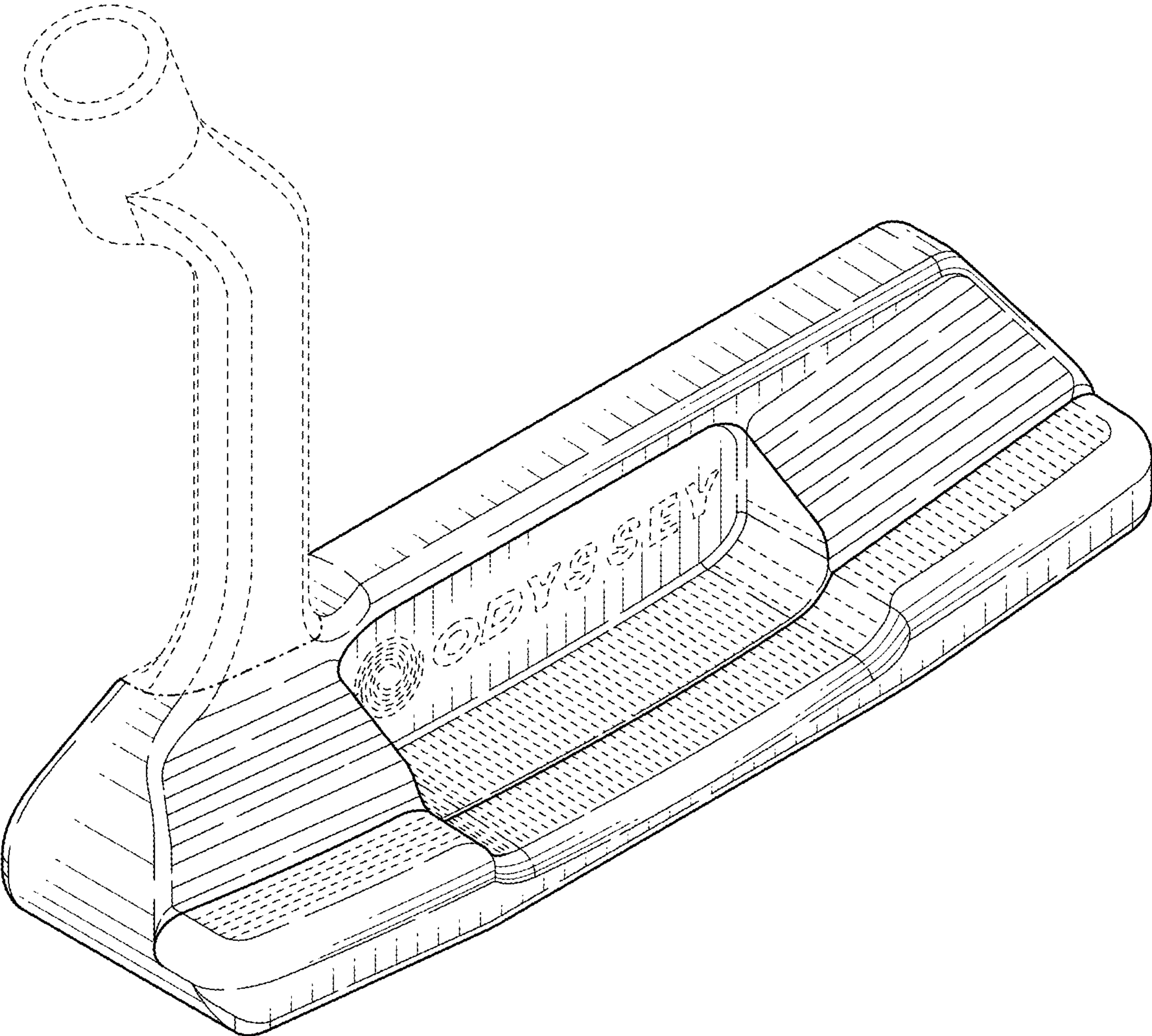


FIG. 1

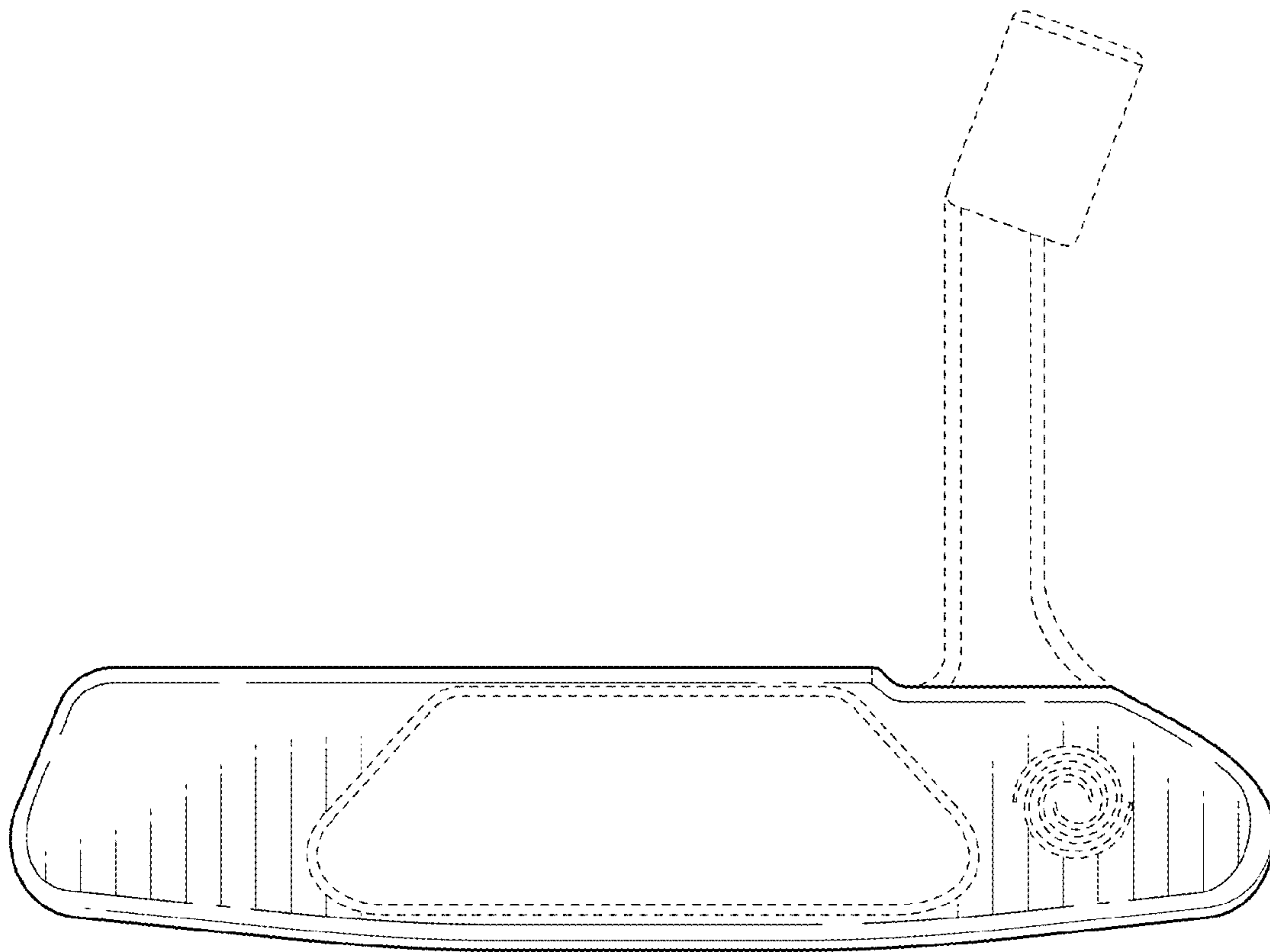


FIG. 2

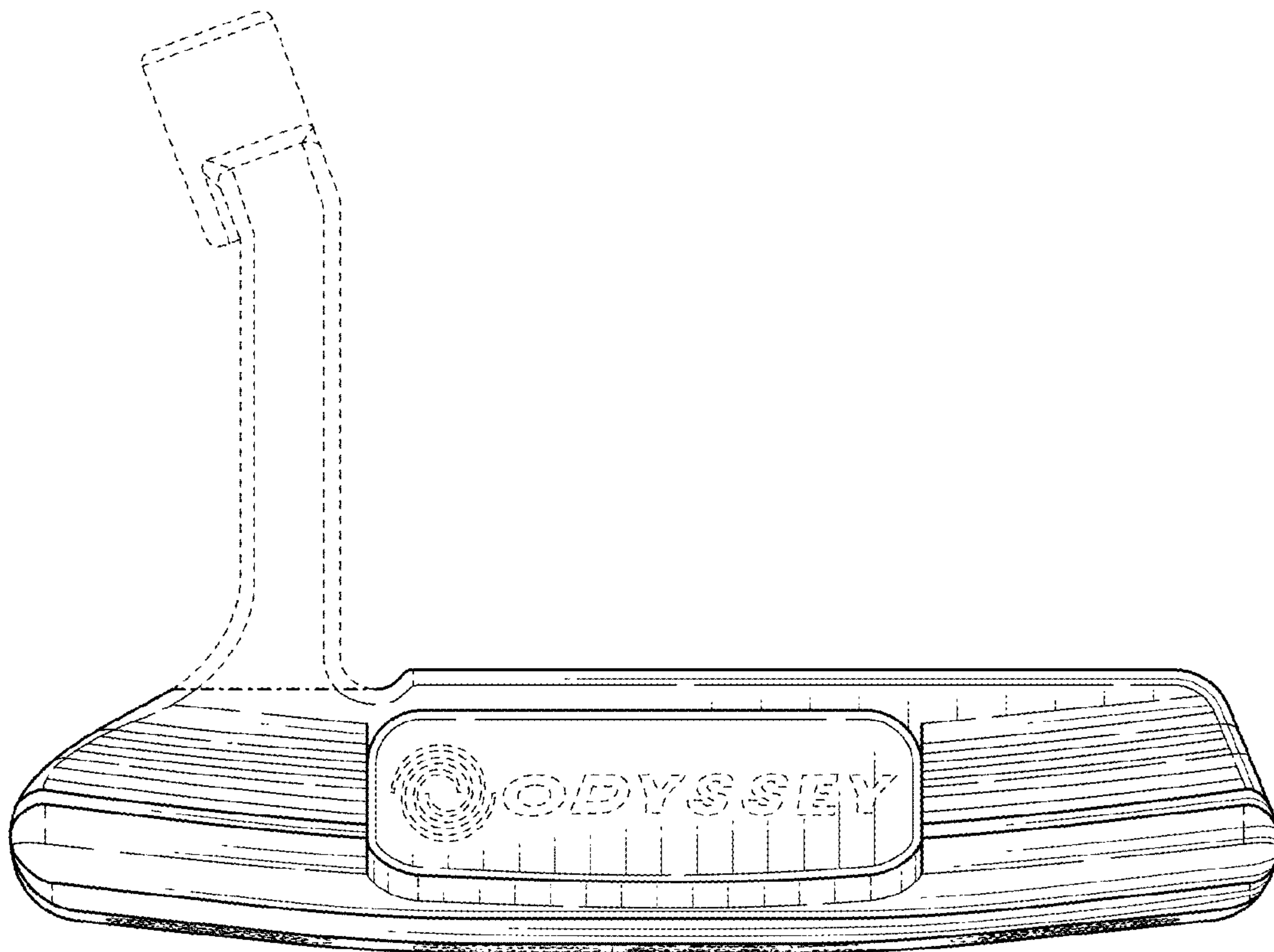


FIG. 3

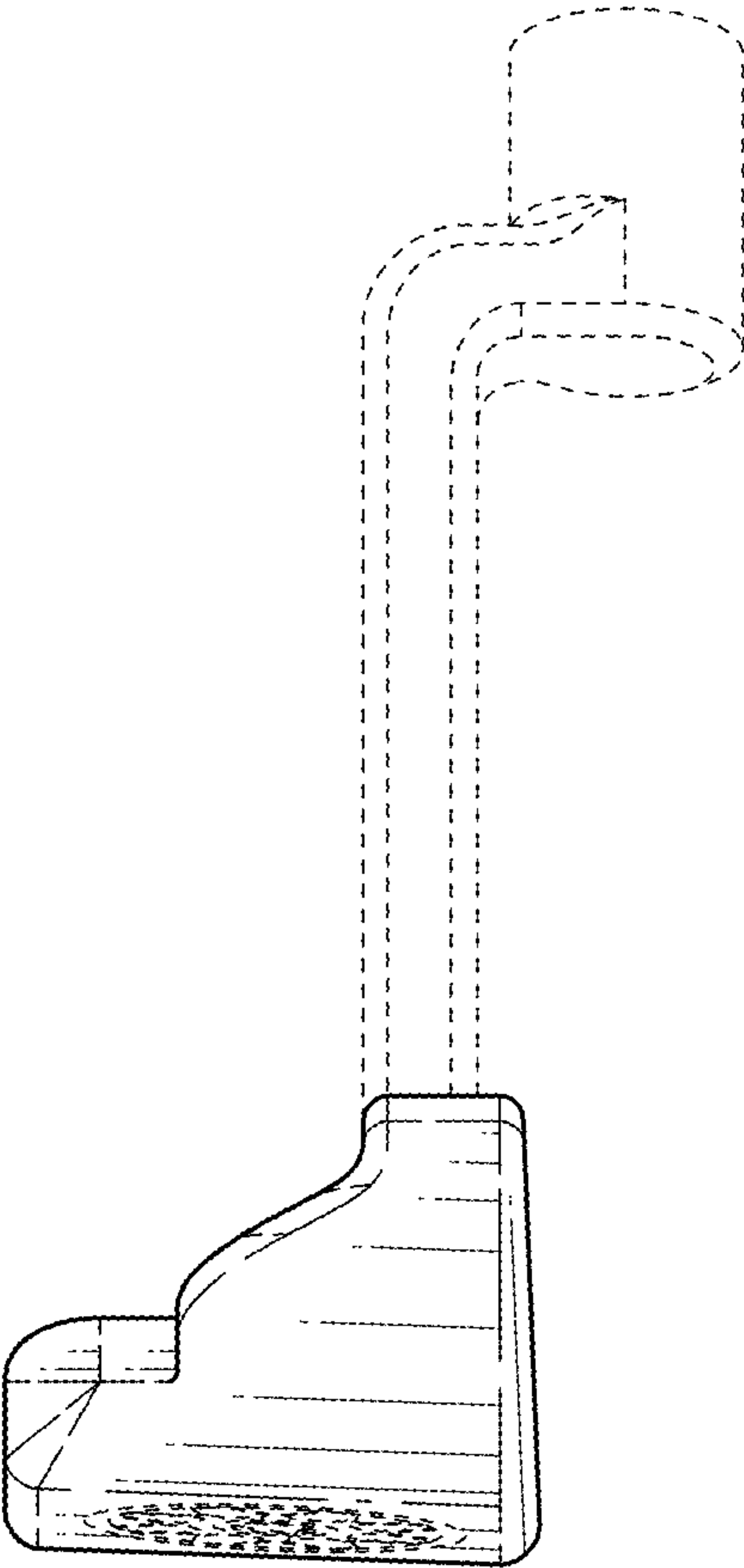


FIG. 4

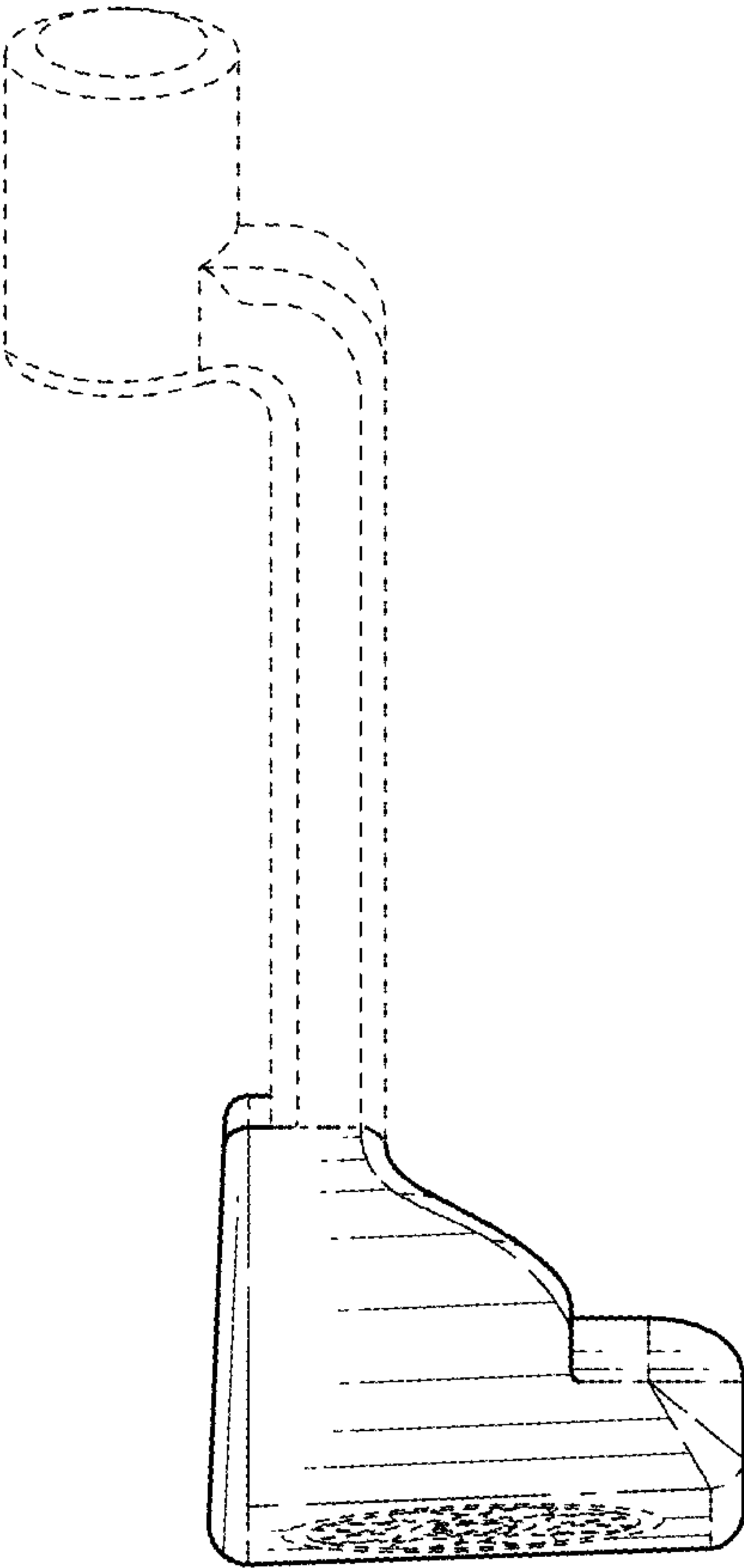


FIG. 5

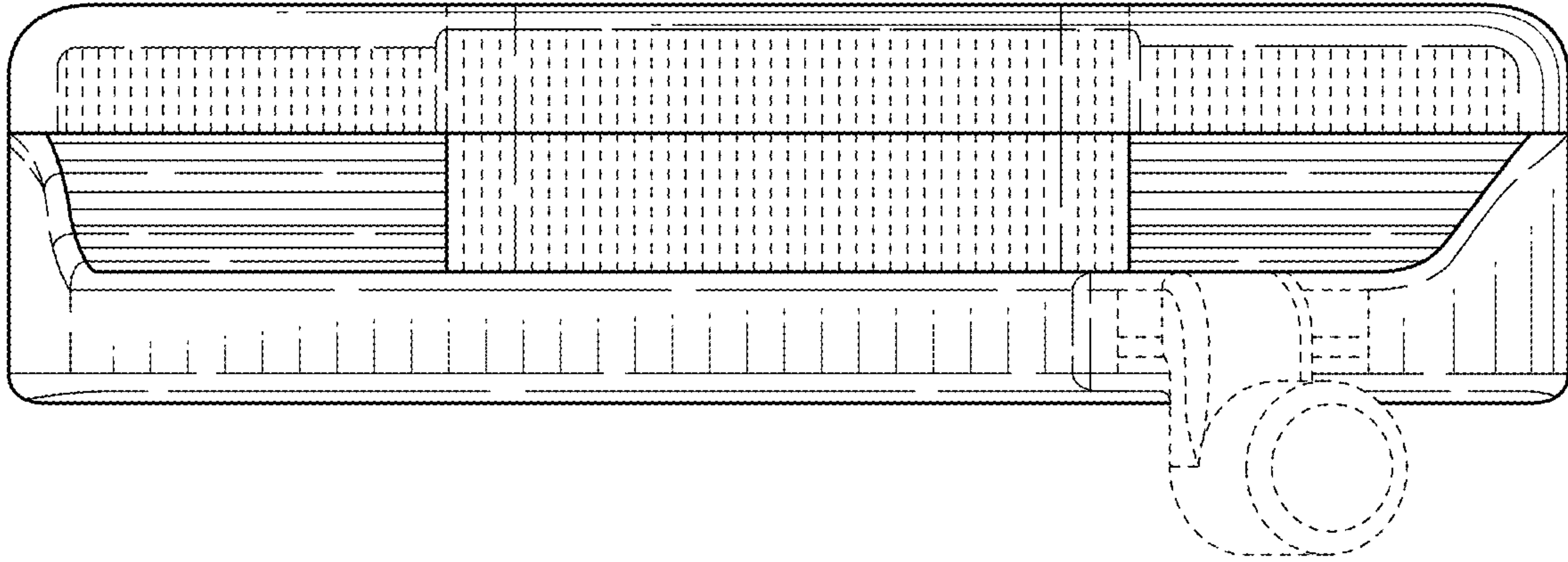


FIG. 6

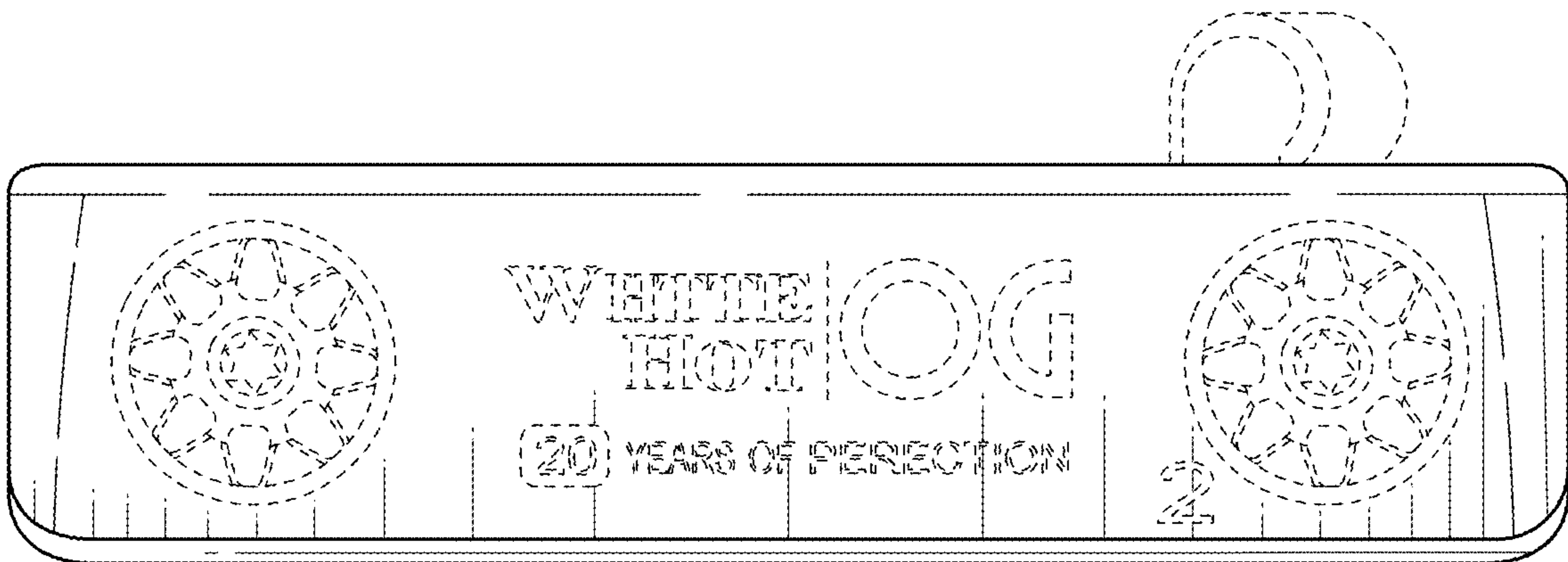


FIG. 7