



US00D979676S

(12) **United States Design Patent**
Hetrick

(10) **Patent No.:** **US D979,676 S**

(45) **Date of Patent:** **** Feb. 28, 2023**

(54) **REMOVABLE COVERED SIMPLE EXERCISE BAND HANDLE**

(71) Applicant: **Fitness Anywhere LLC**, San Francisco, CA (US)

(72) Inventor: **Randal Hetrick**, San Francisco, CA (US)

(73) Assignee: **JFXD TRX ACQ LLC**, Delray Beach, FL (US)

(**) Term: **15 Years**

(21) Appl. No.: **29/735,226**

(22) Filed: **May 19, 2020**

(51) **LOC (14) Cl.** **21-02**

(52) **U.S. Cl.**
USPC **D21/694**

(58) **Field of Classification Search**
USPC D21/672, 694, 682, 402, 400, 394, 482, D21/658, 807, 791, 683, 684; D30/151; D8/303; D22/147; D19/174, 184, 917
See application file for complete search history.

(56) **References Cited**

U.S. PATENT DOCUMENTS

D52,489 S *	9/1918	Palmer	D8/303
5,267,487 A *	12/1993	Falco	B62D 1/06 428/36.1
D593,716 S *	6/2009	Strauss	D30/156
D648,204 S *	11/2011	Parvey	D8/303
D669,945 S *	10/2012	Russo	D21/662
D696,736 S *	12/2013	Preston	D21/680
D698,219 S *	1/2014	Lee	D8/107
D813,005 S *	3/2018	Dovellos	D8/303
2012/0073400 A1 *	3/2012	Wang	B62K 21/26 74/551.9
2013/0152726 A1 *	6/2013	Miki	B62K 21/26 74/551.9
2018/0126205 A1 *	5/2018	Rogers	F16B 21/186

OTHER PUBLICATIONS

Core prodigy store, announced 2020[online], [site visited Sep. 16, 2021]. Available online, URL:https://www.amazon.com/dp/B07YVNGQ5P?pd_rd_i=B07YVNGQ5P&pd_rd_w=35uyQ&pf_rd_p=0766f286-f72d-49df-b4dc-e0afb9dccb94&pd_rd_wg=O5n0a&pf_rd_r=2M7RF1JY8CXZD59W4D24&pd_rd_r=9d0dc37a-b6ea-4ca3-9d39-386fe04d9943 (Year: 2020).*

* cited by examiner

Primary Examiner — Khawaja Anwar

Assistant Examiner — Julice Seung Eun Oum

(74) *Attorney, Agent, or Firm* — Duane Morris LLP

(57) **CLAIM**

The ornamental design for a removable covered simple exercise band handle, as shown and described.

DESCRIPTION

FIG. 1 is an isometric view of the removable covered simple exercise handle.

FIG. 2 is an isometric sectional view of the handle of FIG. 2 cut along the plane indicated on FIG. 1.

FIG. 3 is a front view of the handle of FIG. 1.

FIG. 4 is a right side end view of a cross-section of the handle of FIG. 1 cut along the plane indicated in FIG. 3.

FIG. 5 is a right side end view of a cross-section of the handle of FIG. 1 cut along the plane indicated in FIG. 3.

FIG. 6 is a top view of the handle of FIG. 1.

FIG. 7 is a front view of the handle of FIG. 1.

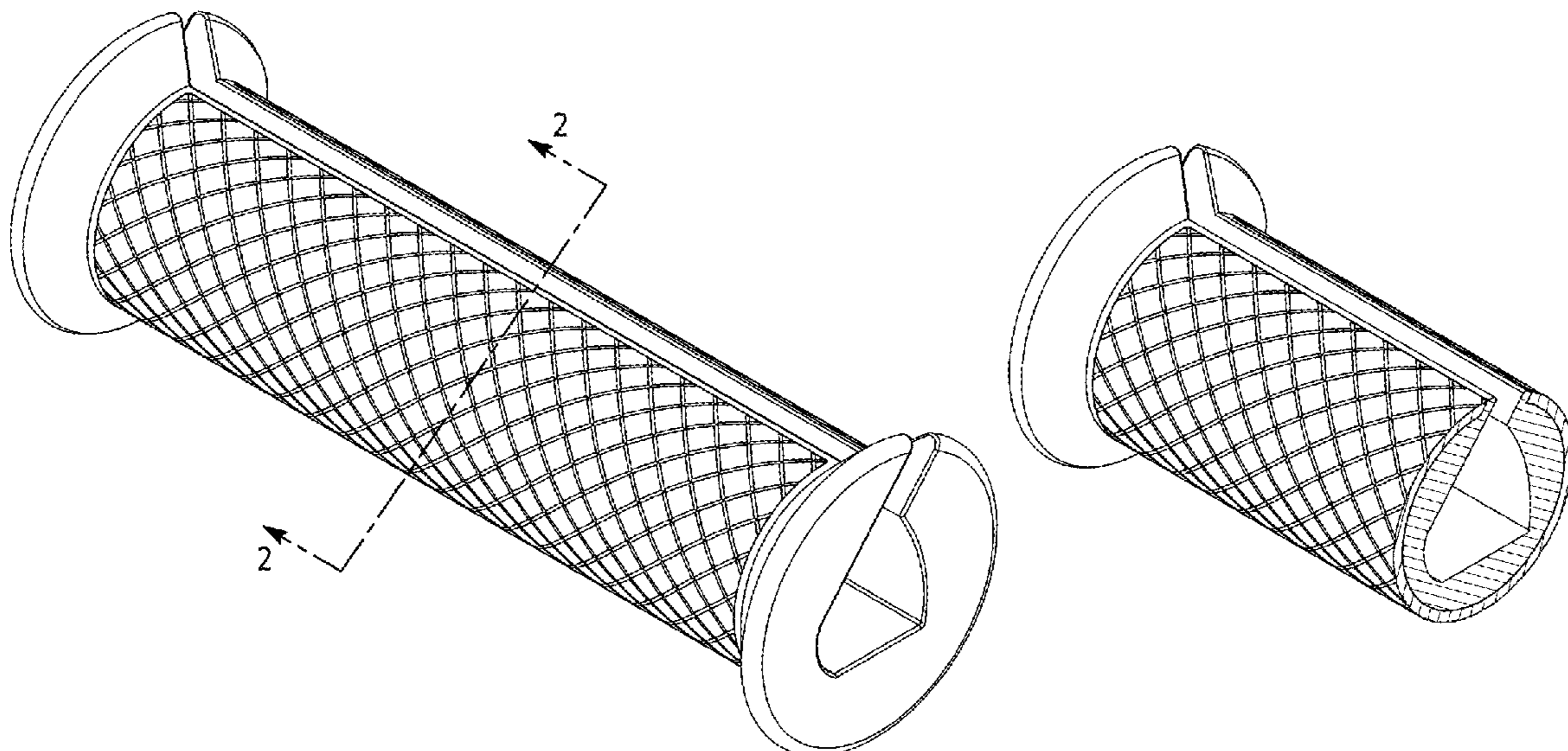
FIG. 8 is a bottom view of the handle of FIG. 1.

FIG. 9 is a left side end view of the handle of FIG. 1; and,

FIG. 10 is a right side end view view of the handle of FIG. 1.

The broken line portions and cross-hatched portions of the drawings are for illustrative purposes only and form no part of the claimed design.

1 Claim, 4 Drawing Sheets



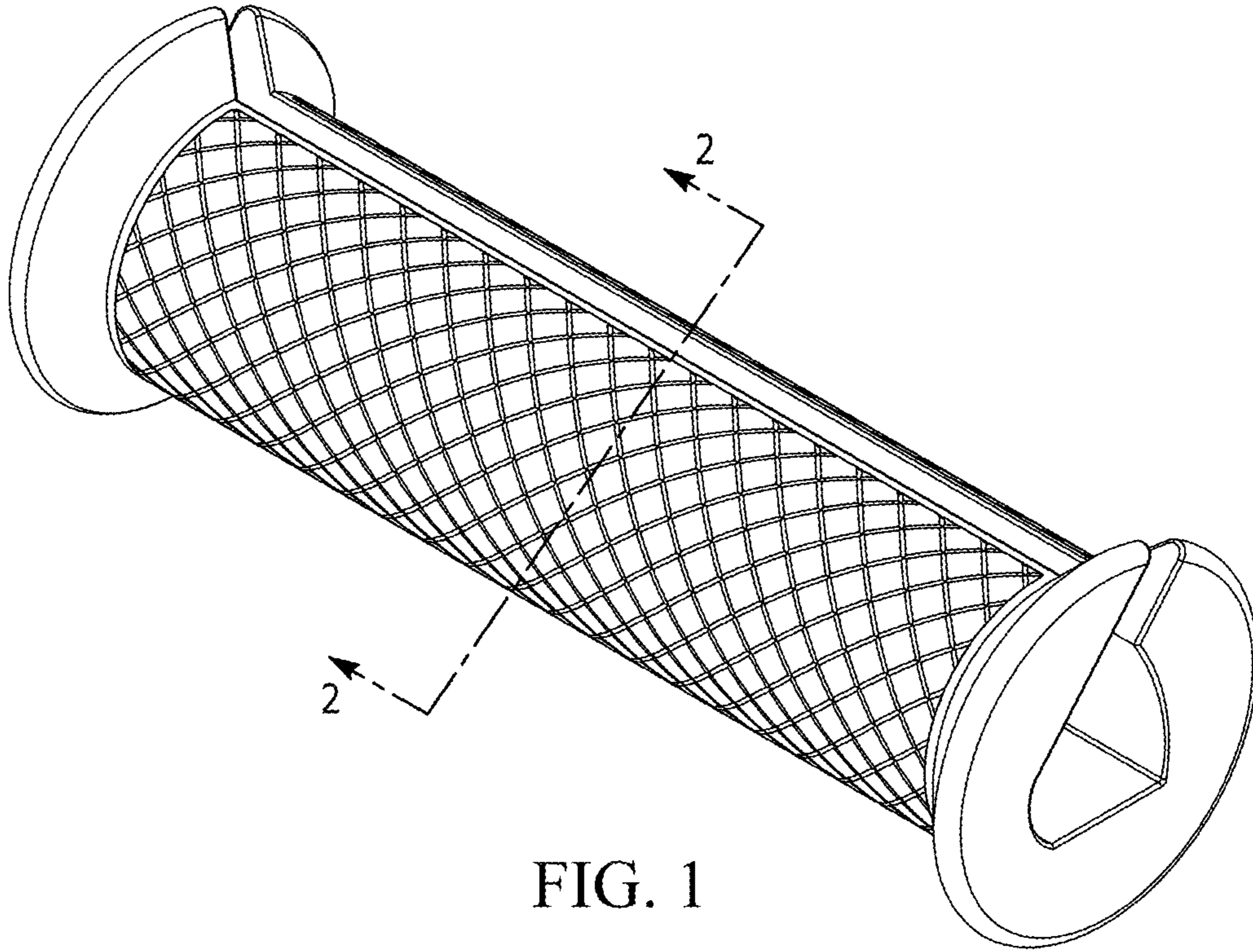


FIG. 1

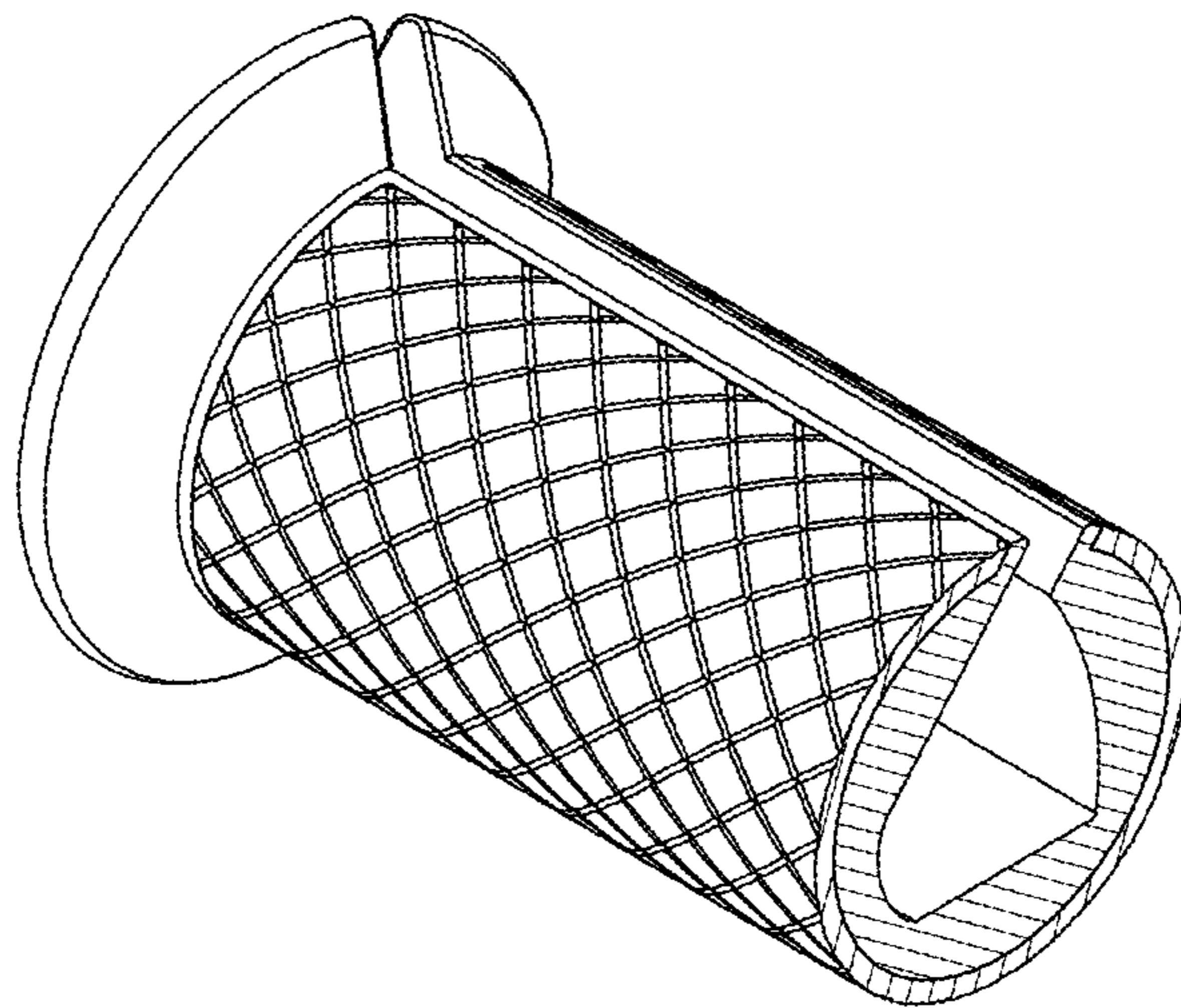


FIG. 2

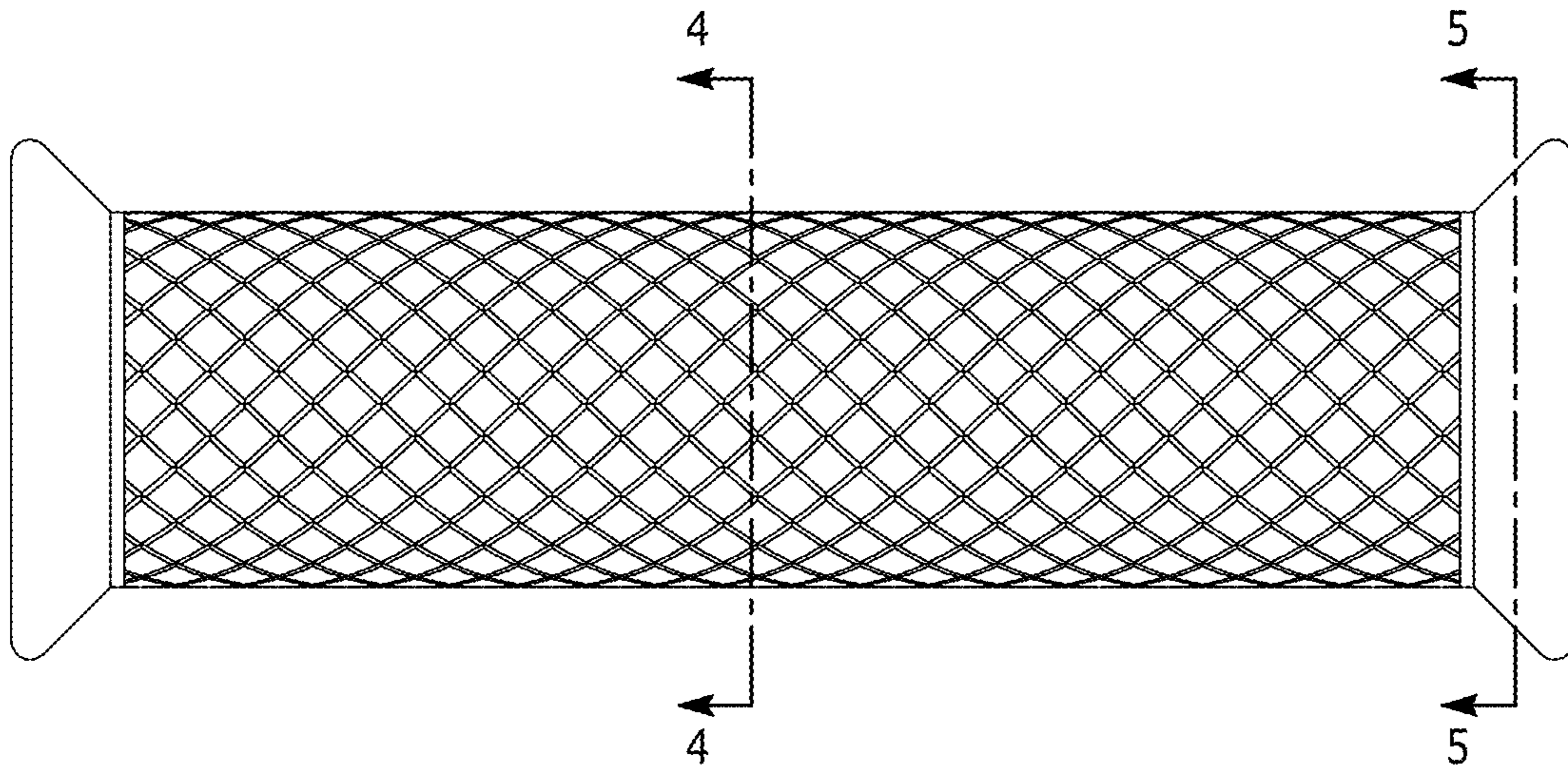


FIG. 3

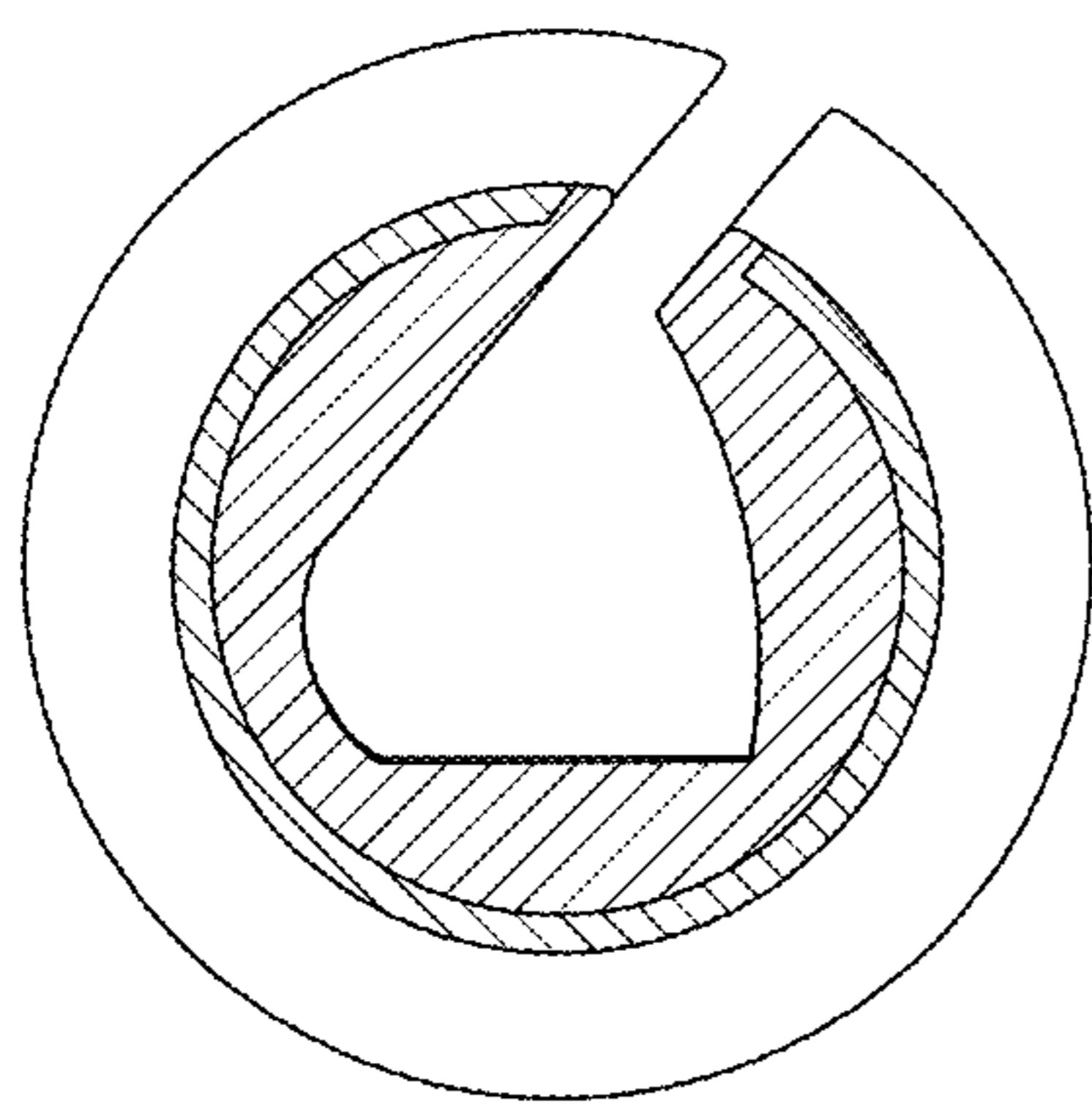


FIG. 4

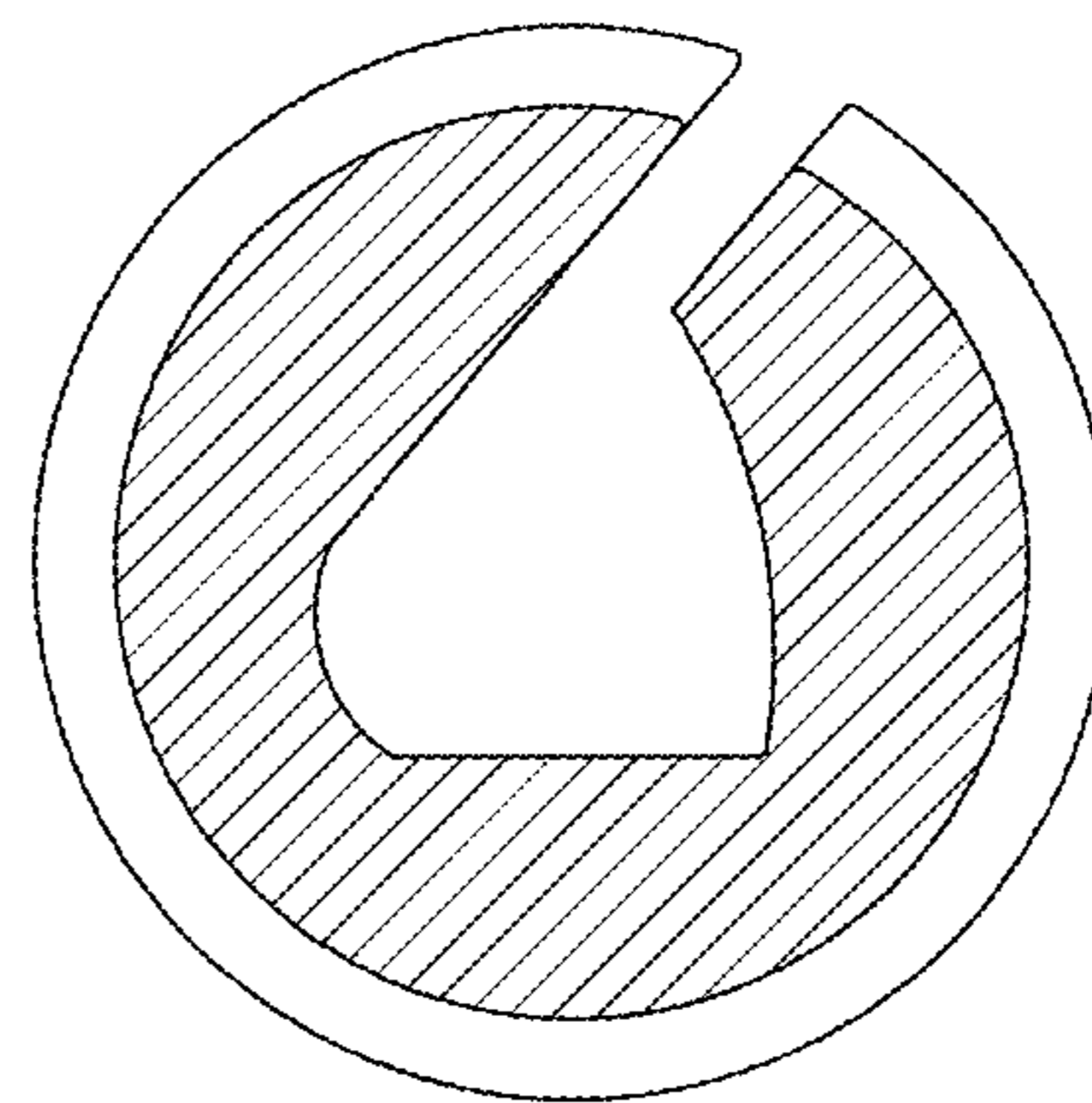


FIG. 5

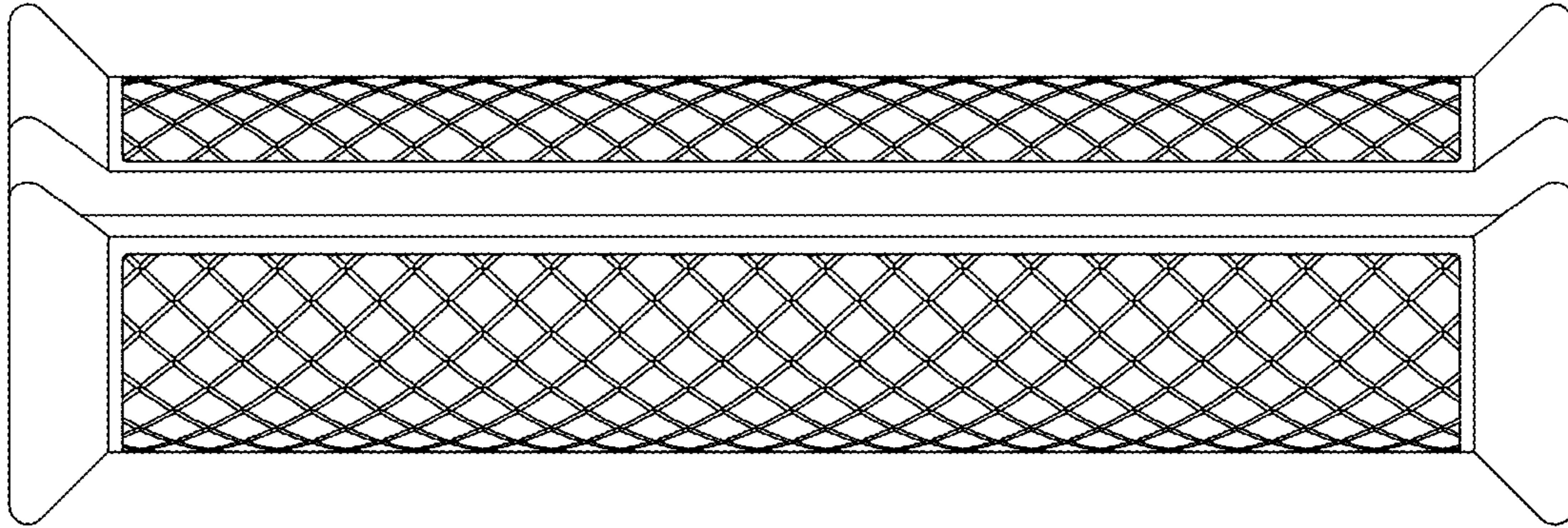


FIG. 6

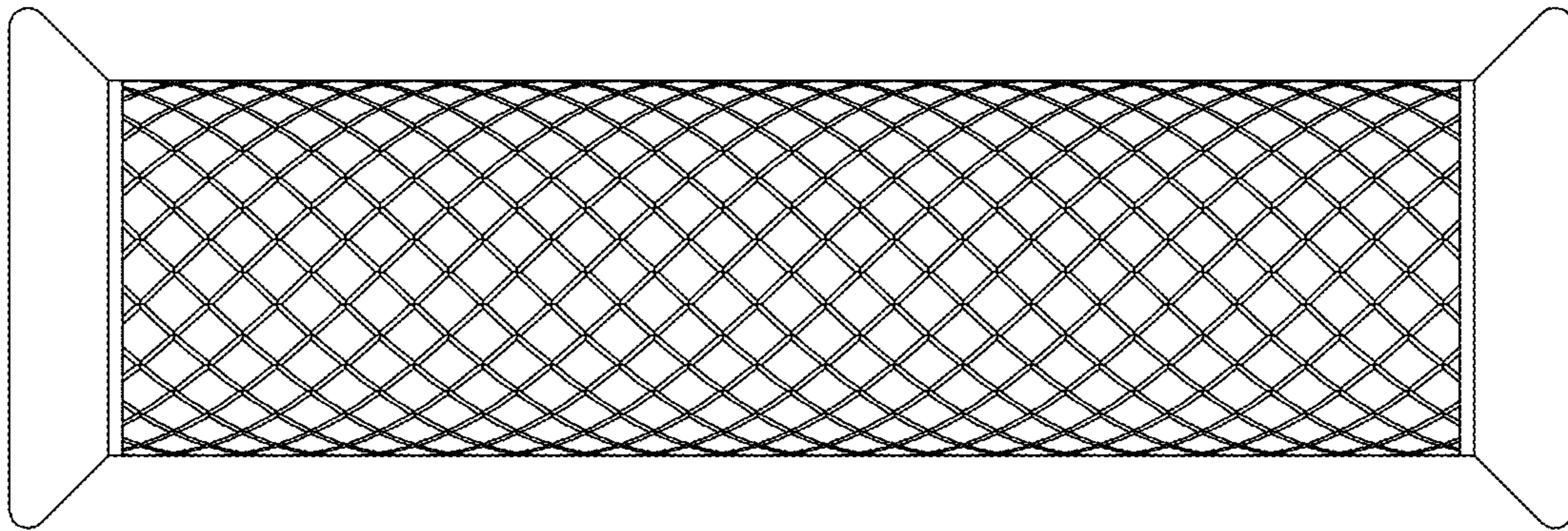


FIG. 7

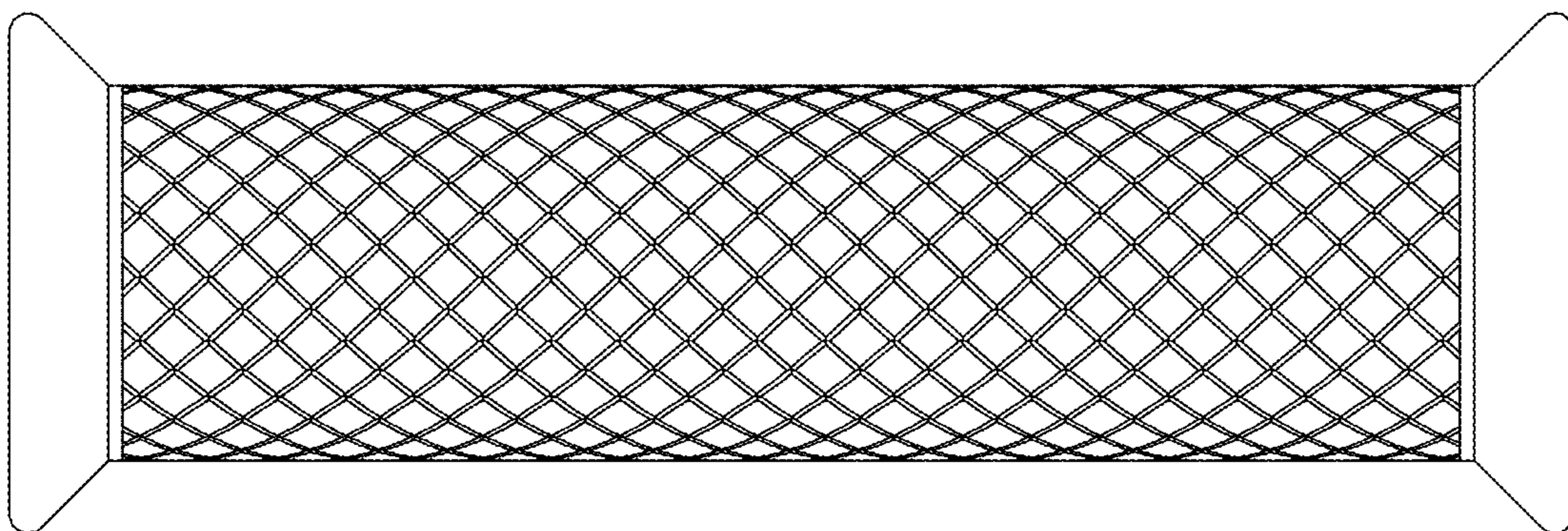


FIG. 8

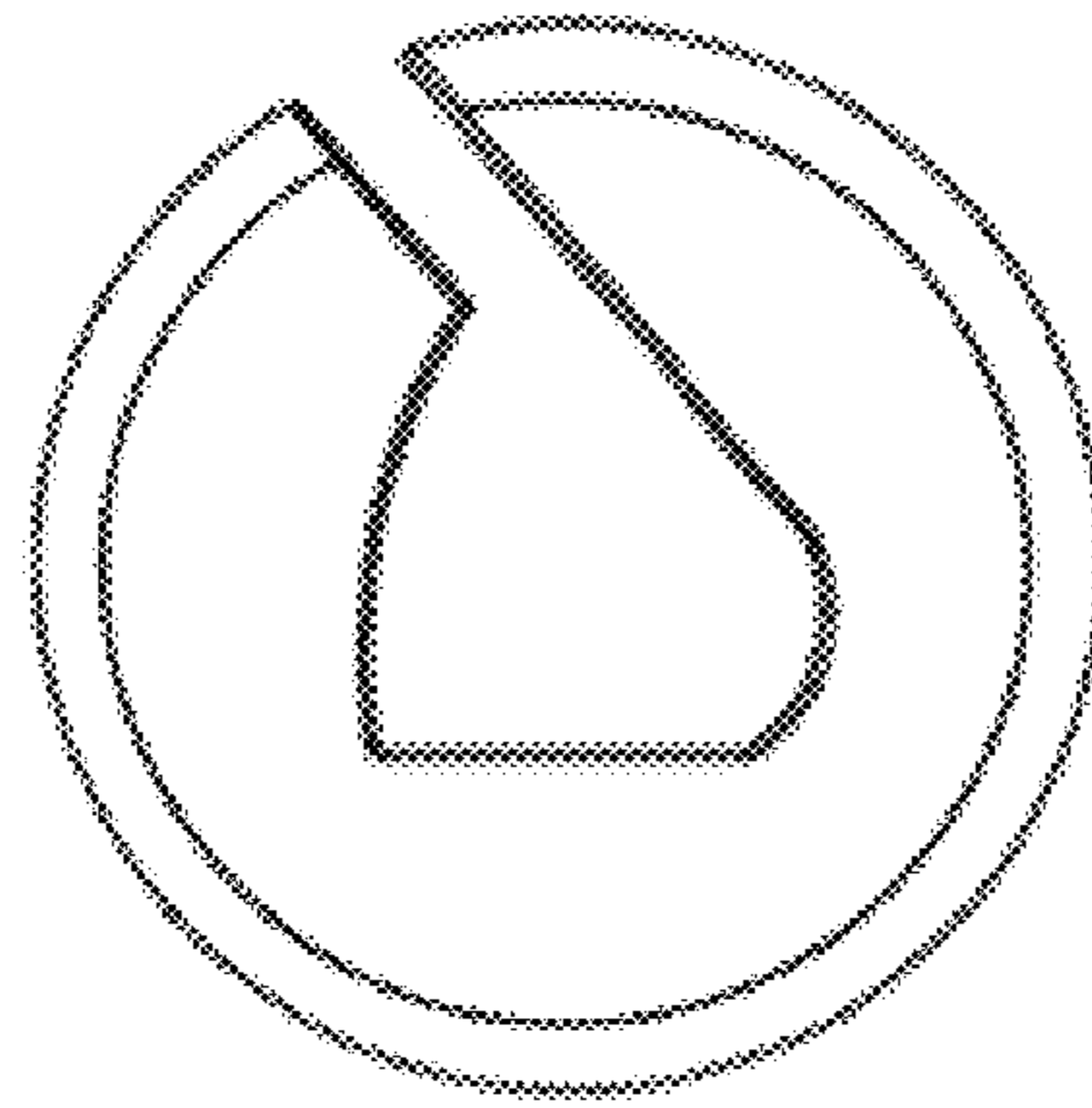


FIG. 9

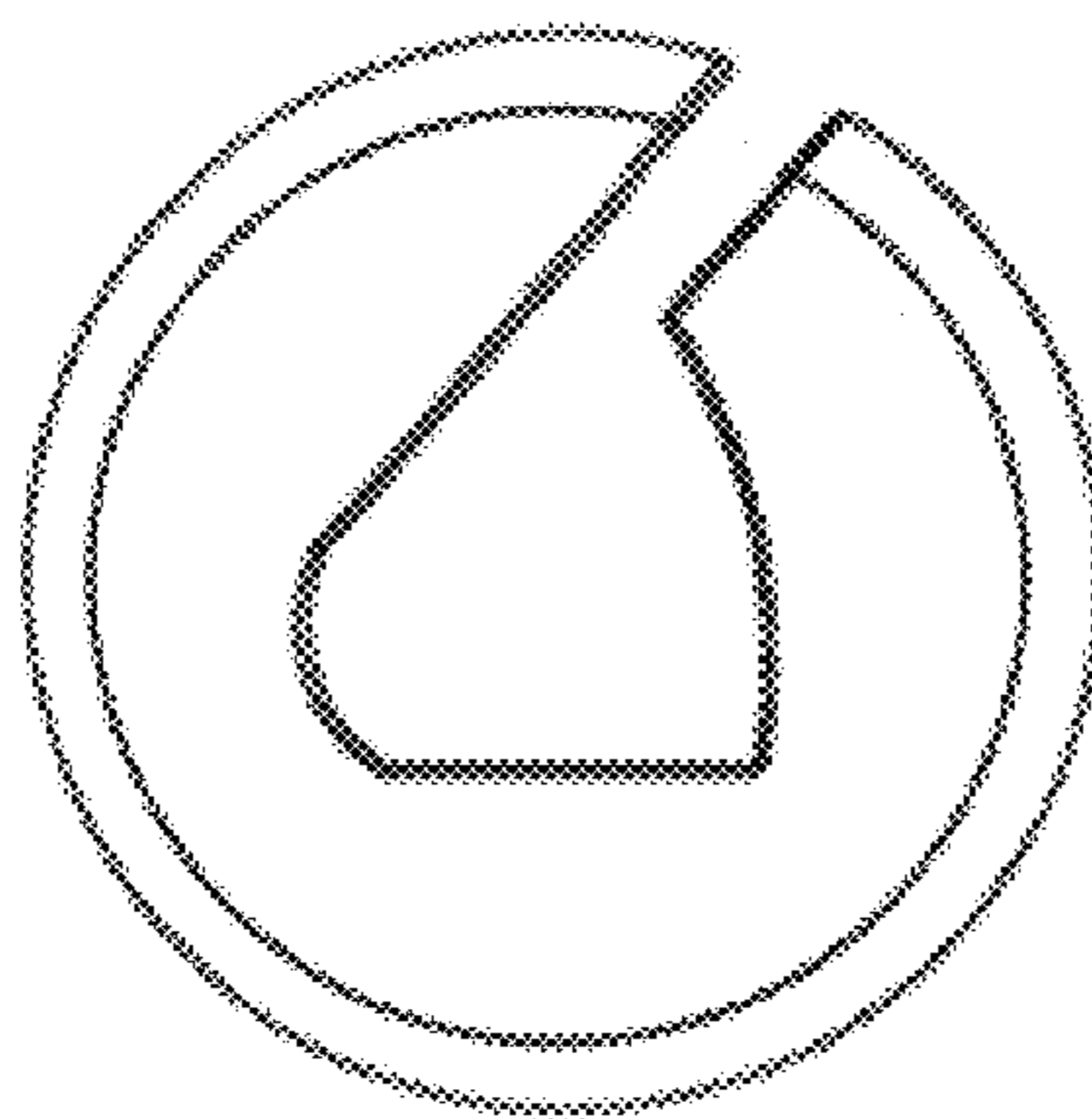


FIG. 10