



US00D979674S

(12) **United States Design Patent** (10) **Patent No.:** **US D979,674 S**
Zhao (45) **Date of Patent:** **** Feb. 28, 2023**

(54) **MULTIFUNCTION EXERCISE APPARATUS**

7,455,634 B2 * 11/2008 Barniak A63B 3/00
482/96

(71) Applicant: **ZheJiang TongCang Industry and Trading Co., Ltd., Jinhua (CN)**

D633,962 S * 3/2011 Stacey D21/691
D698,402 S * 1/2014 Saletta D21/691
D820,011 S * 6/2018 Rossi D6/682
D868,184 S * 11/2019 Redmond D21/691
D868,185 S * 11/2019 Redmond D21/691

(72) Inventor: **Liyong Zhao, Jinhua (CN)**

(Continued)

(**) Term: **15 Years**

FOREIGN PATENT DOCUMENTS

(21) Appl. No.: **29/696,073**

CN 208405933 U 1/2019

(22) Filed: **Jun. 25, 2019**

(51) **LOC (14) Cl.** **21-02**

(52) **U.S. Cl.**

USPC **D21/691**; D21/686

(58) **Field of Classification Search**

USPC D21/686, 679, 691, 797; 482/23, 34, 36,
482/38, 39, 41, 42, 93, 99, 133, 140, 142,
482/143

CPC A63B 17/00; A63B 21/00047; A63B
23/1218; A63B 23/1227; A63B 21/068;
A63B 21/4037

See application file for complete search history.

OTHER PUBLICATIONS

Multifunctional by Zhejiang Tongcang Industry dated no date given. Found online [Aug. 24, 2022] https://www.alibaba.com/product-detail/Multifunctional-pull-up-tower-for-home_1600300921987.html?spm=a2700.shop_plgr.41413.8.4d91748cbJ7oz0.*

Primary Examiner — Ryan Harvey

(57) **CLAIM**

The ornamental design for a multifunction exercise apparatus, as shown and described.

DESCRIPTION

FIG. 1 is a front, top perspective view of a multifunction exercise apparatus, showing my new design; FIG. 2 is a front elevational view thereof; FIG. 3 is a rear elevational view thereof; FIG. 4 is a left side elevational view thereof; FIG. 5 is a right side elevational view thereof; FIG. 6 is a top plan view thereof; FIG. 7 is a bottom plan view thereof; FIG. 8 is an enlarged view of the portion labeled 8 in FIG. 1; and, FIG. 9 is an enlarged view of the portion labeled 9 in FIG. 1.

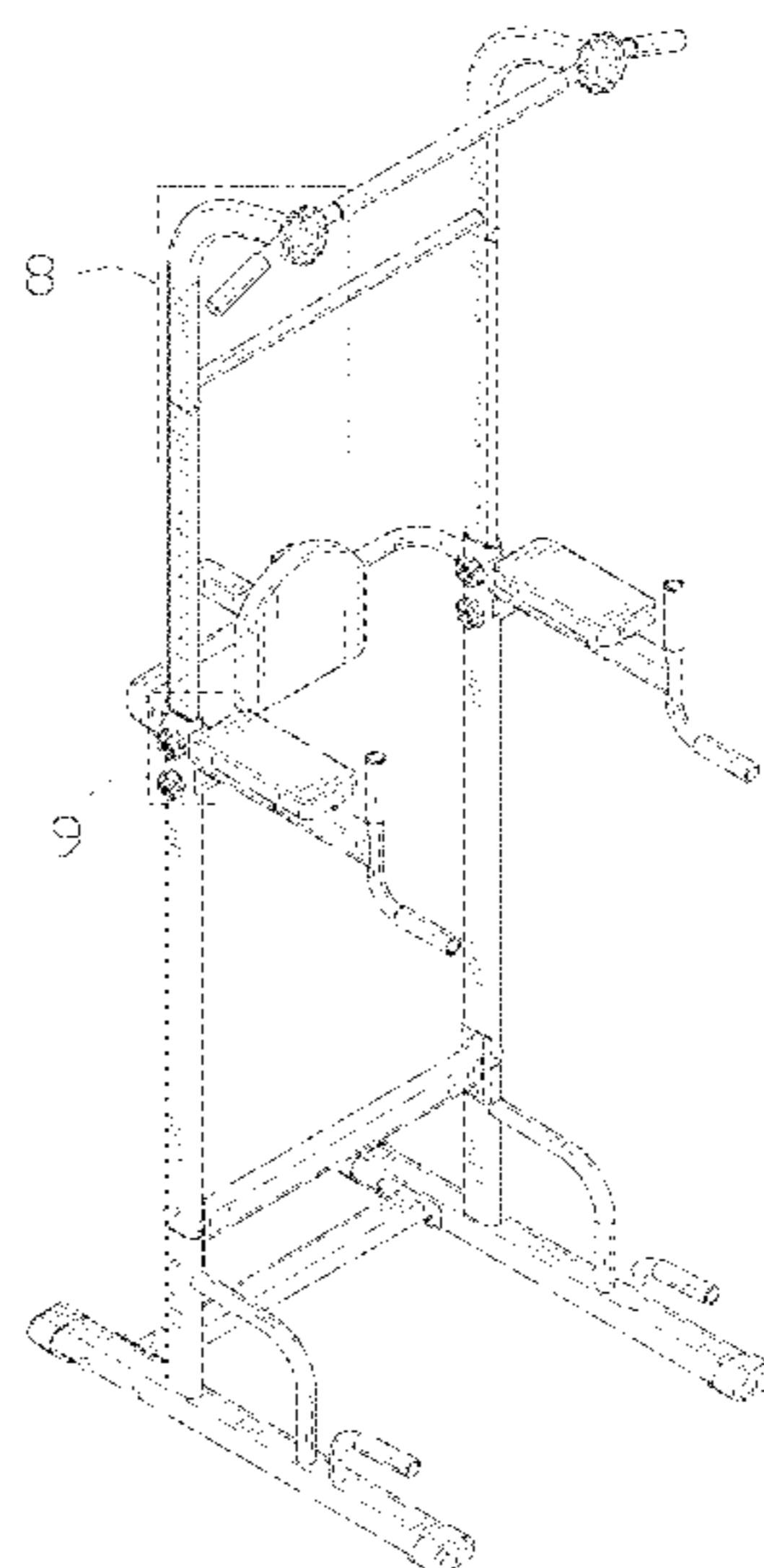
The broken lines in the drawings depict portions of the multifunction exercise apparatus that form no part of the claimed design.

1 Claim, 9 Drawing Sheets

(56) **References Cited**

U.S. PATENT DOCUMENTS

4,286,782 A * 9/1981 Fuhrhop A63B 23/00
482/99
D267,419 S * 12/1982 Komarnicki D21/691
D320,823 S * 10/1991 Tanner D21/686
D324,708 S * 3/1992 Walsh D21/691
5,156,580 A * 10/1992 Holland A63B 1/00
482/38
D339,835 S * 9/1993 Hsieh D21/691
5,372,556 A * 12/1994 Ropp A63B 23/12
482/133
5,407,404 A * 4/1995 Killian A63B 21/0552
482/130
D372,059 S * 7/1996 Taylor D21/691
6,048,294 A * 4/2000 Formanek A63B 21/00047
482/141
D544,050 S * 6/2007 Webber D21/686
D578,582 S * 10/2008 Gomez D21/686



(56)

References Cited

U.S. PATENT DOCUMENTS

10,751,565 B2 * 8/2020 Saadallah A63B 21/0724
D936,764 S * 11/2021 Gao D21/686
D940,799 S * 1/2022 Li D21/691
D942,562 S * 2/2022 Zhao D21/686
2005/0049115 A1 * 3/2005 Gomez A63B 21/4035
482/23
2010/0285932 A1 * 11/2010 Fisher A63B 23/1245
482/93
2020/0391076 A1 * 12/2020 Zhao A63B 23/1209
2020/0398104 A1 * 12/2020 Rogers A63B 21/068

* cited by examiner

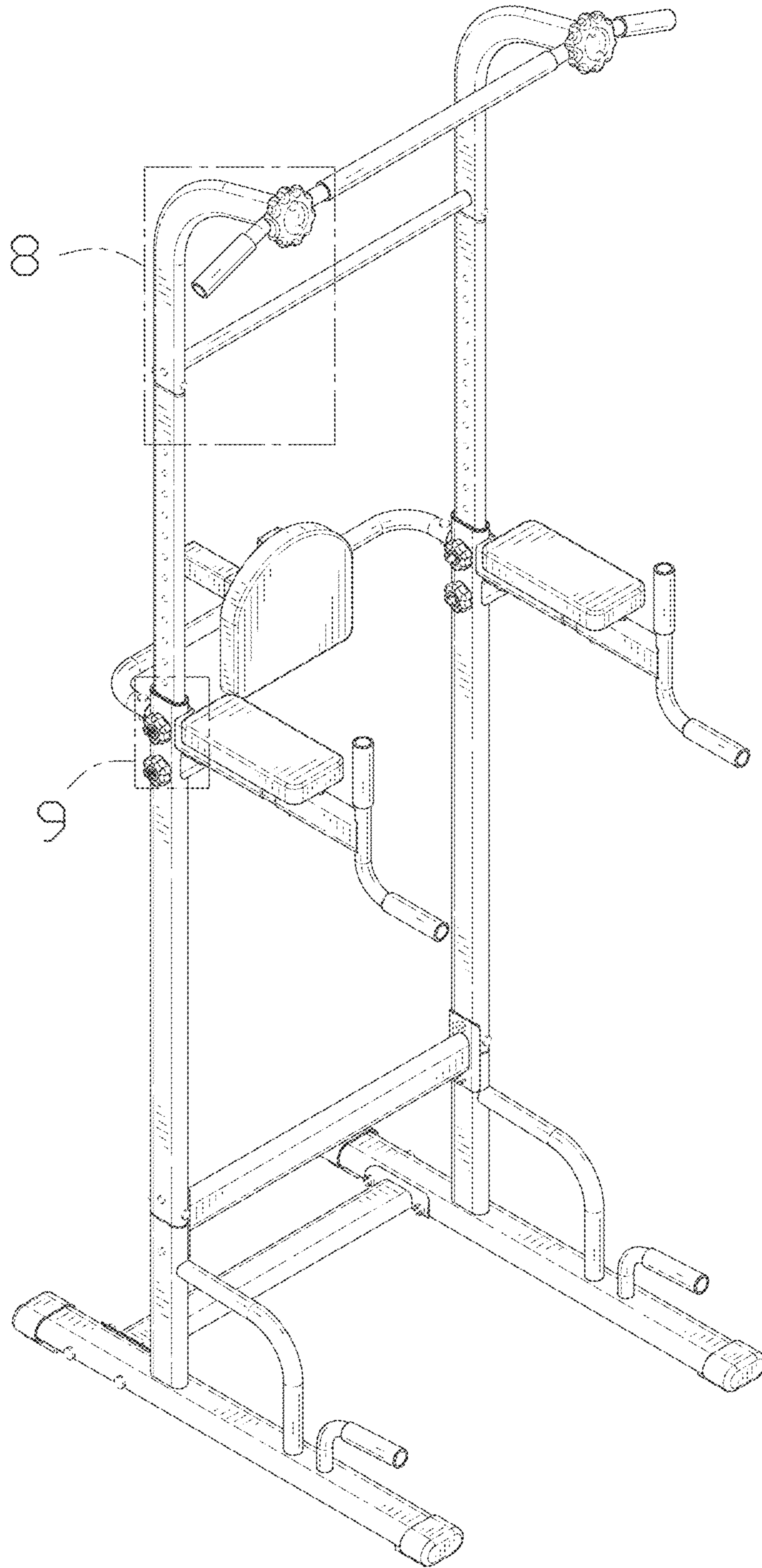


FIG. 1

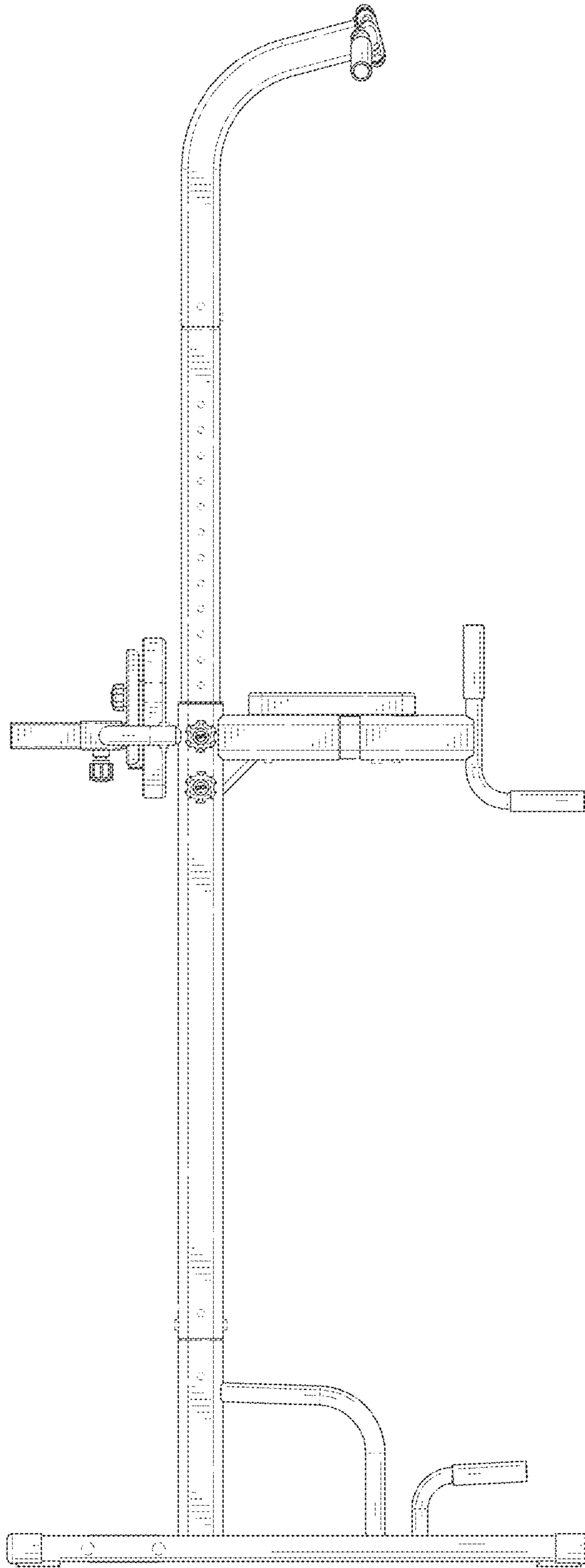


FIG. 2

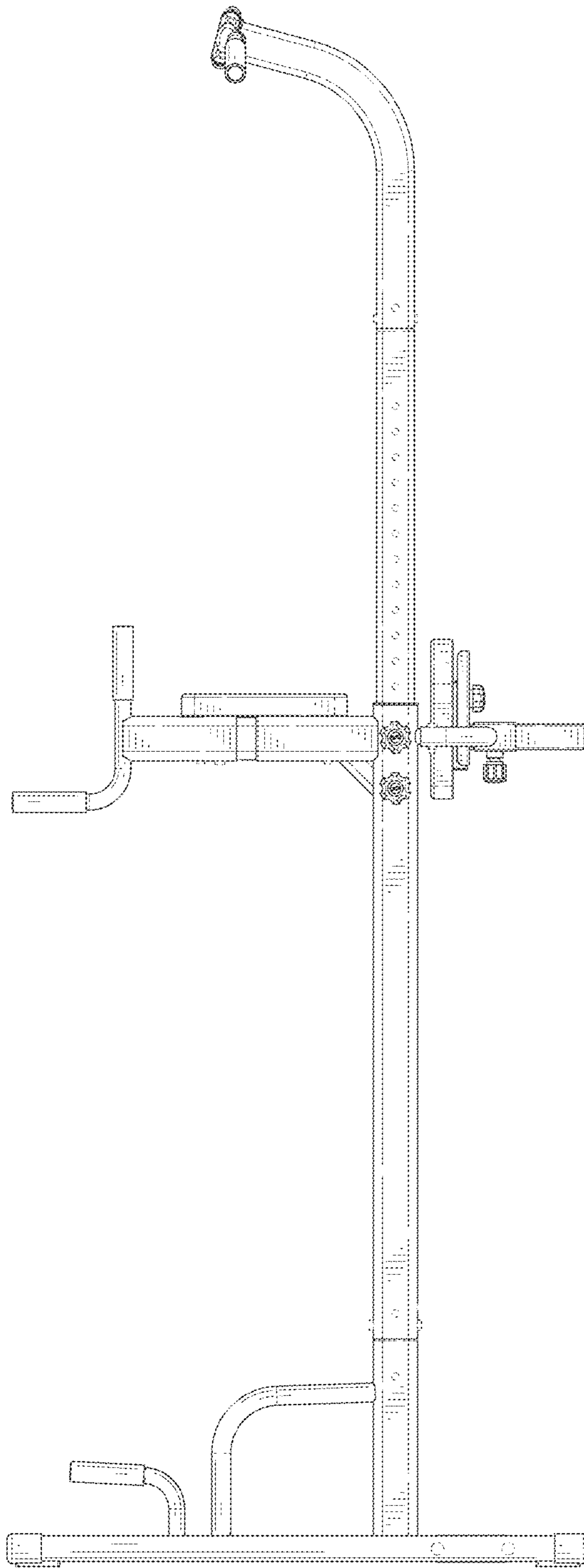


FIG. 3

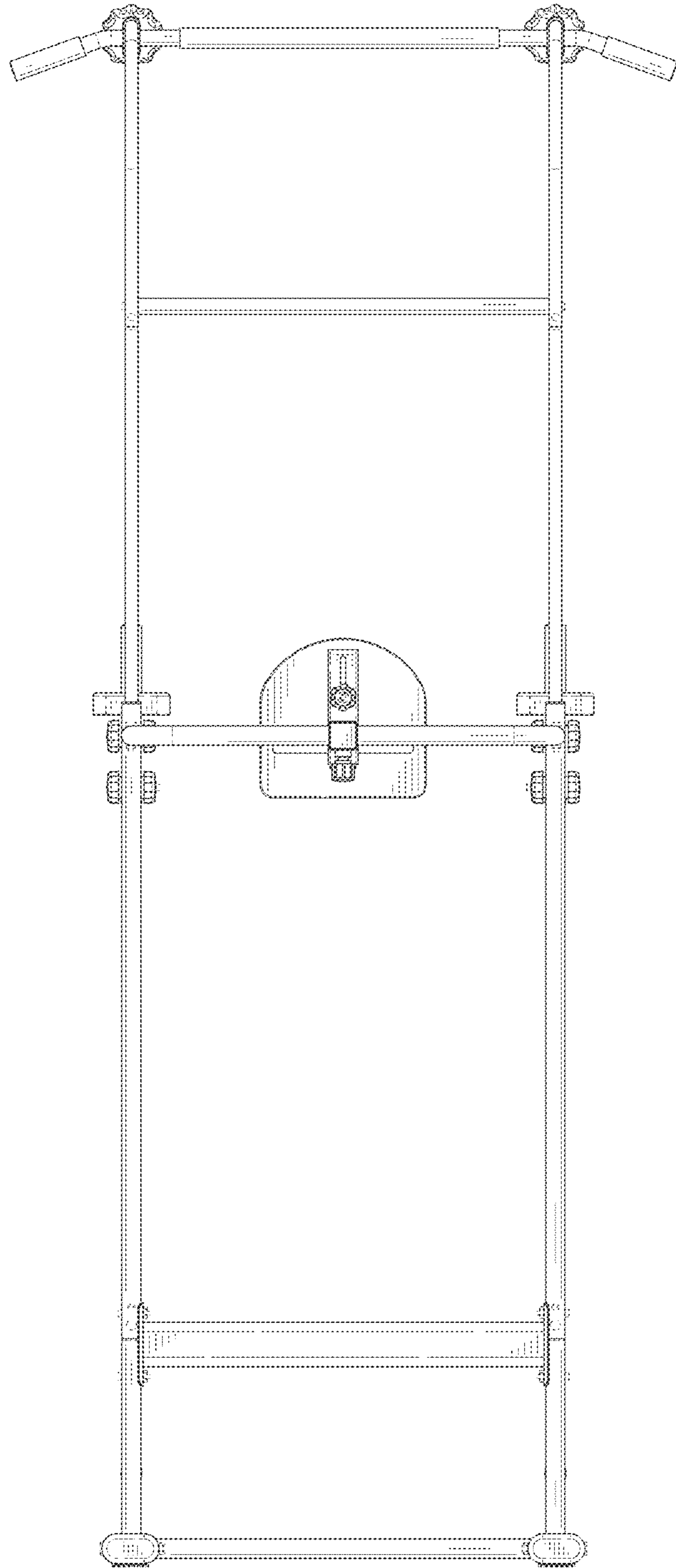


FIG. 4

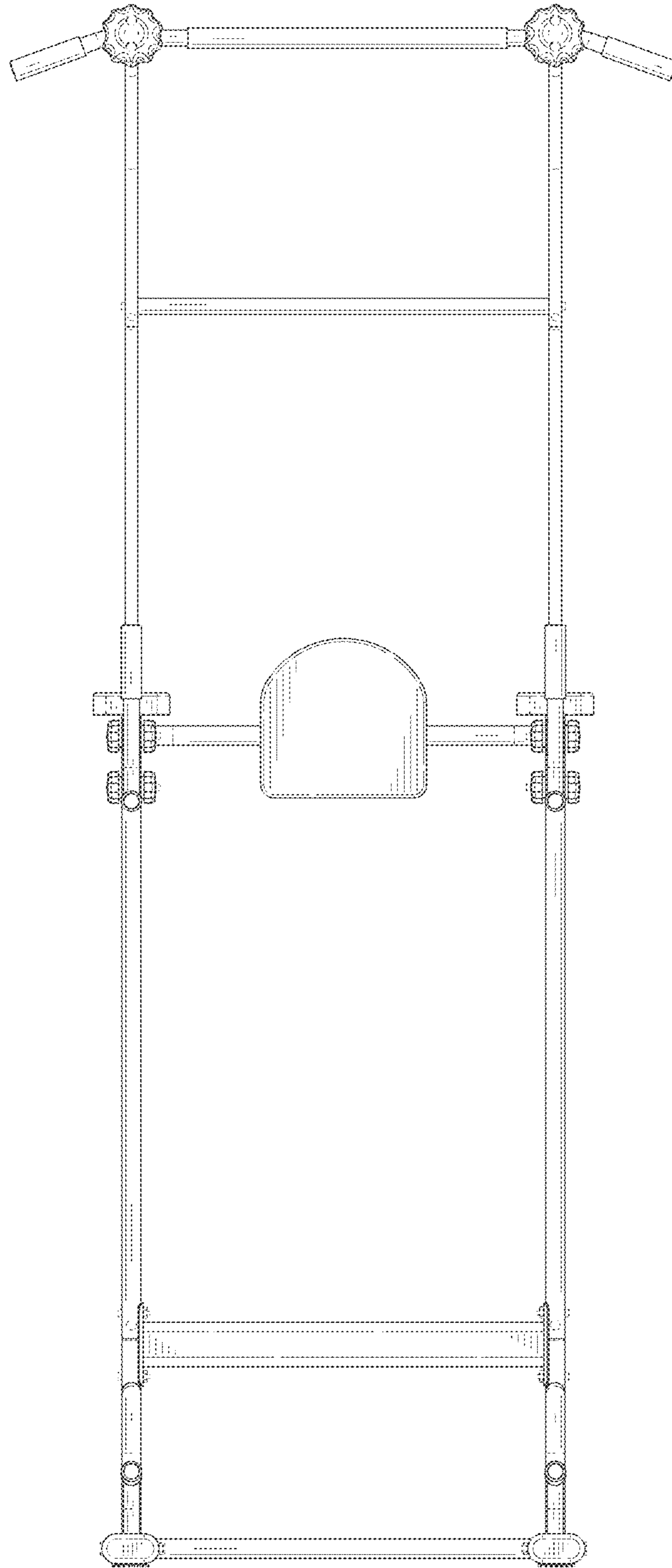


FIG. 5

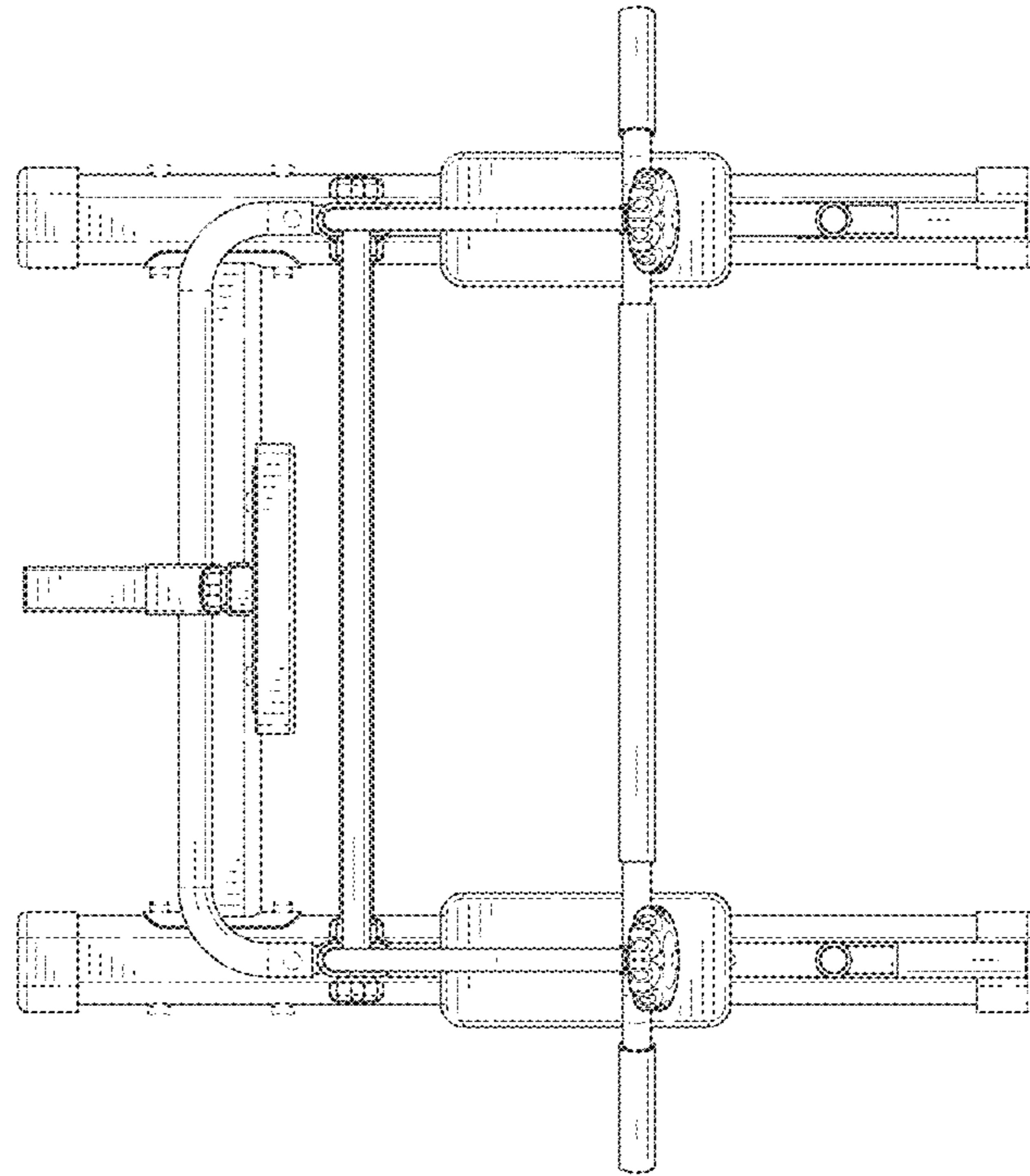


FIG. 6

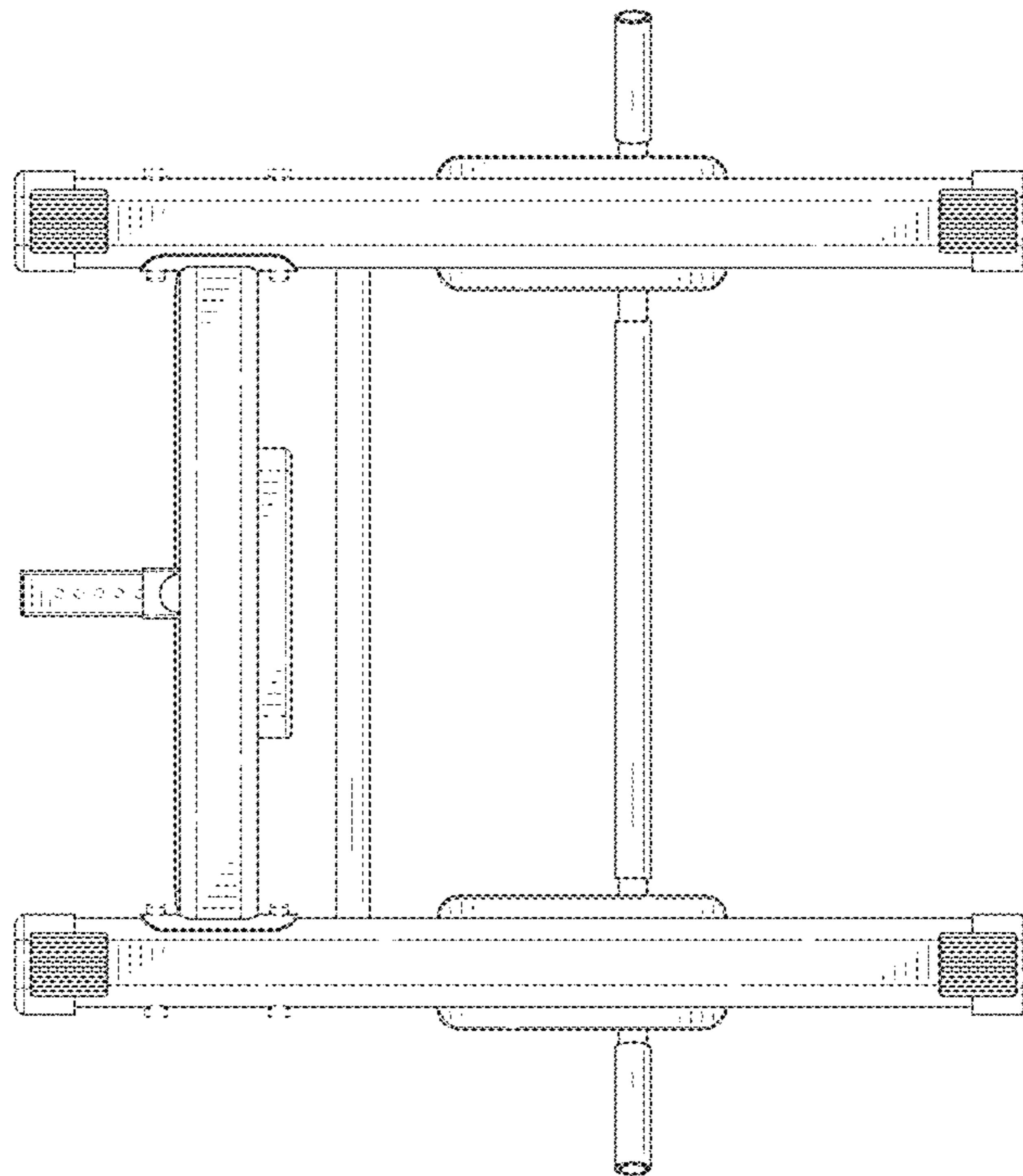


FIG. 7

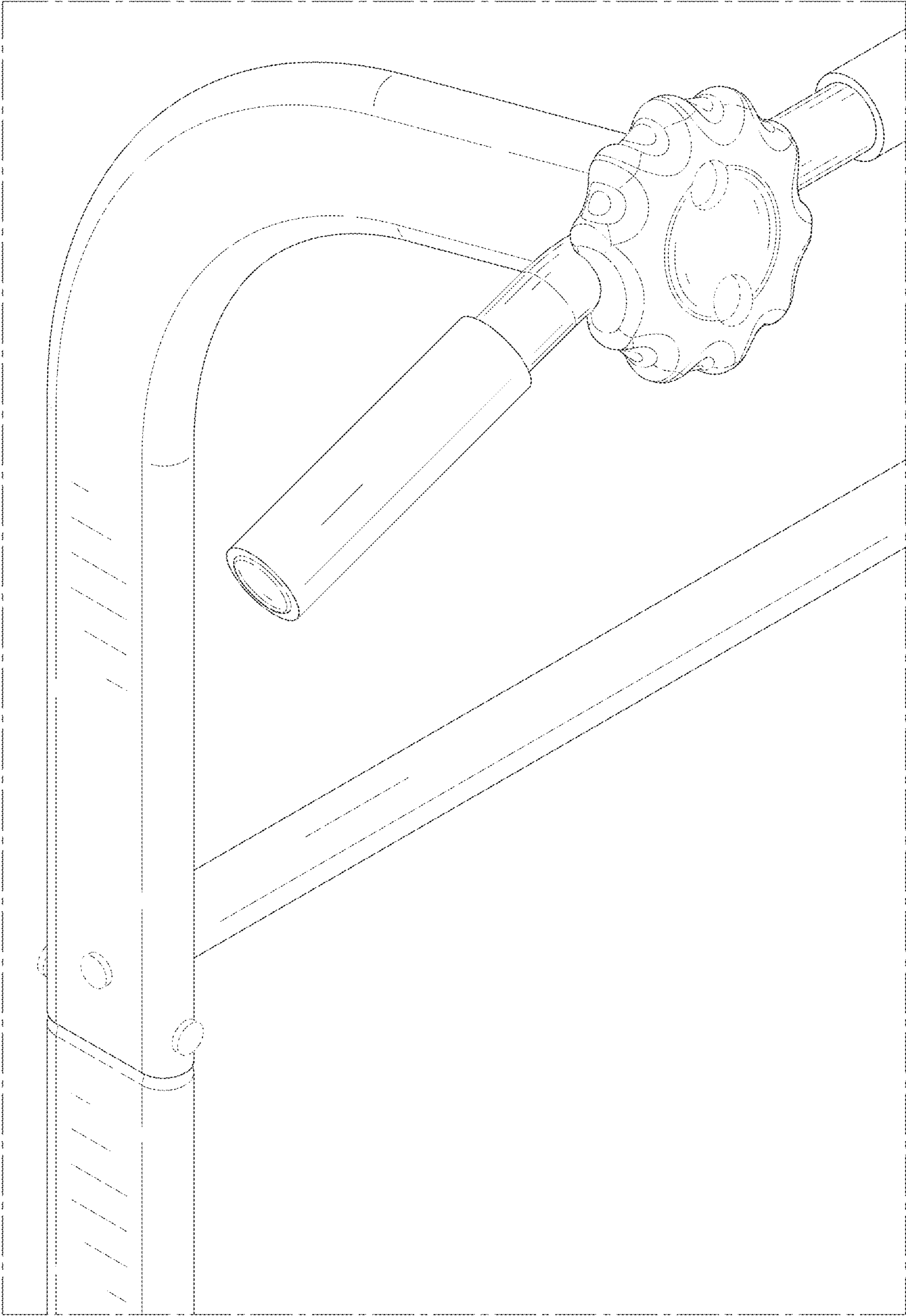


FIG. 8

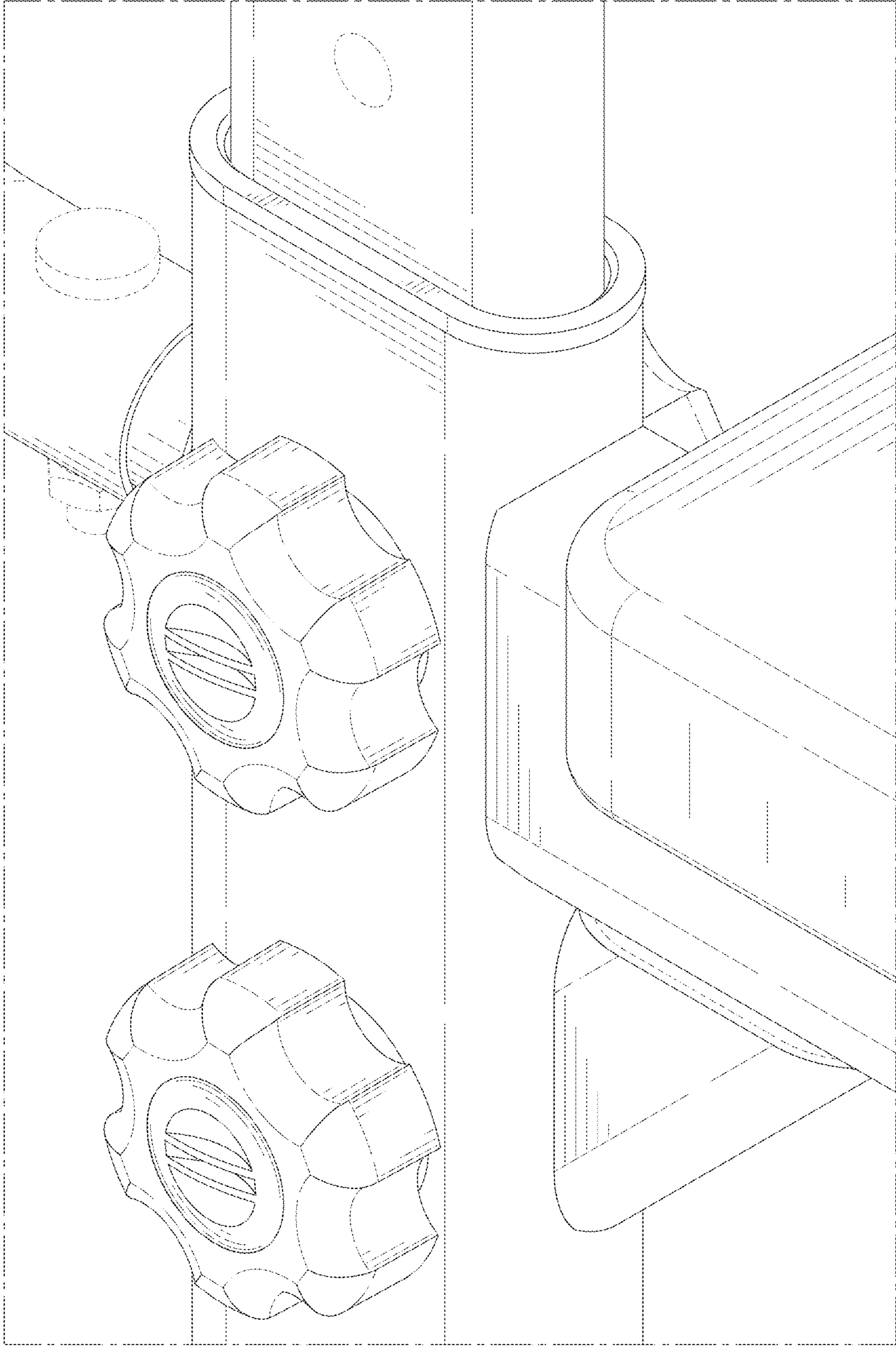


FIG. 9