



US00D979673S

(12) **United States Design Patent** (10) **Patent No.:** **US D979,673 S**
Quinn (45) **Date of Patent:** **** Feb. 28, 2023**

(54) **EXERCISE DEVICE**
(71) Applicant: **Anthony Quinn**, Waterdown (CA)
(72) Inventor: **Anthony Quinn**, Waterdown (CA)
(**) Term: **15 Years**
(21) Appl. No.: **29/751,819**
(22) Filed: **Sep. 23, 2020**
(51) **LOC (14) Cl.** **21-02**
(52) **U.S. Cl.**
USPC **D21/686**
(58) **Field of Classification Search**
USPC D21/692, 681, 694, 662, 675, 677, 679,
D21/680, 684, 686
See application file for complete search history.

(56) **References Cited**

U.S. PATENT DOCUMENTS

2,666,640 A * 1/1954 Jennings, Sr. A63B 3/00
482/141
D486,534 S * 2/2004 Ueda D21/664
9,750,975 B2 * 9/2017 Hunter, Jr. A63B 23/0205
D807,973 S * 1/2018 Leonardo D21/686
10,272,288 B2 * 4/2019 Brown A63B 23/1236
D875,193 S * 2/2020 Szónyi D21/686
D916,213 S * 4/2021 Dunahay D21/671
D927,612 S * 8/2021 Thomas D21/686
D961,024 S * 8/2022 Sneathen D21/686
2007/0184950 A1 * 8/2007 Bradley A63B 21/4035
482/141

2010/0004105 A1 * 1/2010 Peddar A63B 22/20
482/132
2015/0258412 A1 * 9/2015 Doerr A63B 21/00065
482/92
2016/0236705 A1 * 8/2016 Ryu B62D 3/126
2021/0394019 A1 * 12/2021 Stevenson, III ... A63B 21/4035

OTHER PUBLICATIONS

Yes4all, announced 2019 [online], [site visited Jun. 29, 2022].
Available on internet, URL:https://www.amazon.com/Yes4All-
Mounted-Weight-Plate-Holder/dp/B07PVB9FZM/ref (Year: 2019).*

* cited by examiner

Primary Examiner — Khawaja Anwar
Assistant Examiner — Julice Seung Eun Oum
(74) *Attorney, Agent, or Firm* — Ridout & Maybee LLP

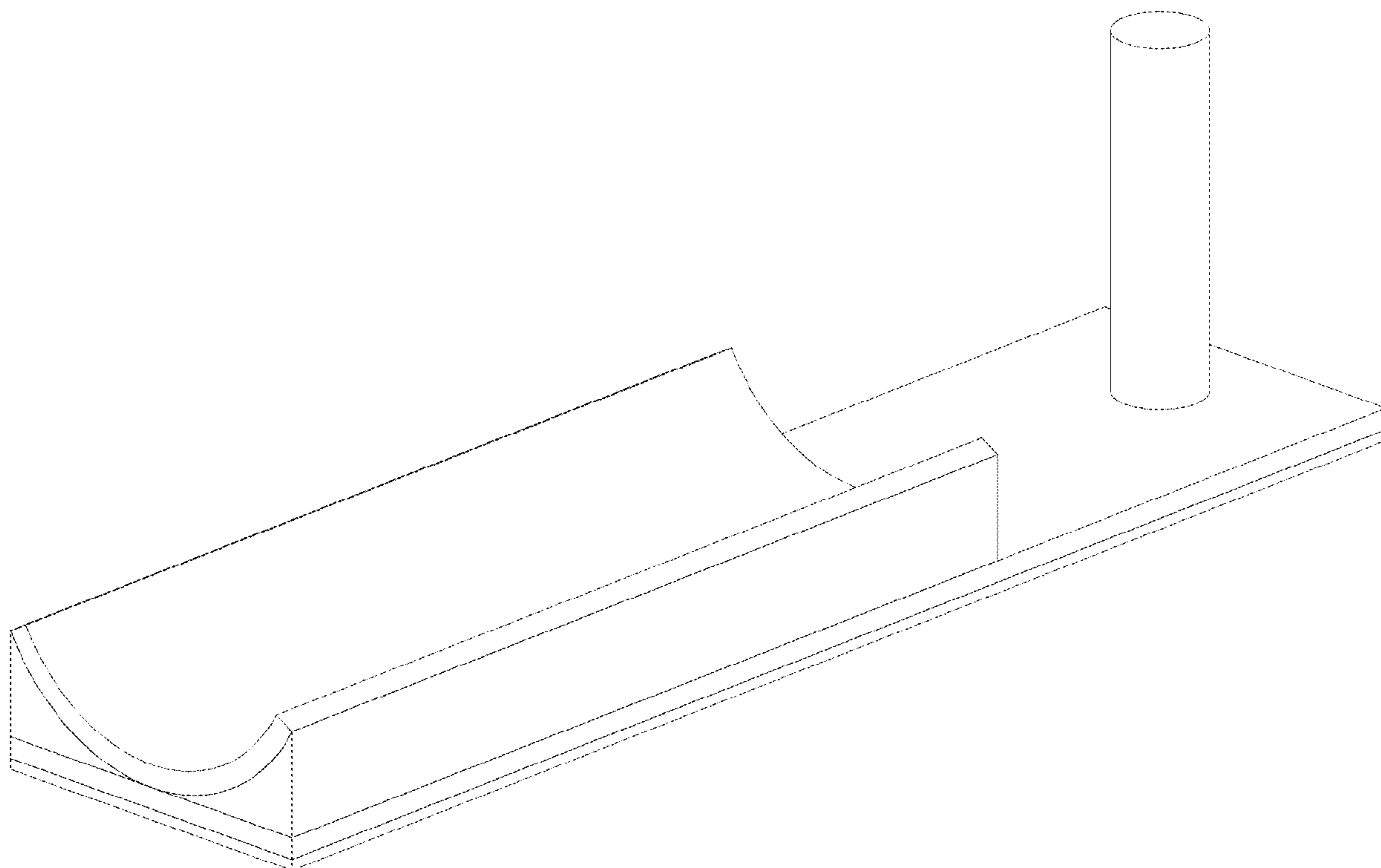
(57) **CLAIM**

The ornamental design for an exercise device, as shown and described.

DESCRIPTION

FIG. 1 is a top right perspective view of the exercise device in accordance with the present design;
FIG. 2 is a top plan view thereof;
FIG. 3 is a bottom plan view thereof;
FIG. 4 is a right side elevational view thereof;
FIG. 5 is a left side elevational view thereof;
FIG. 6 is a front elevational view thereof; and,
FIG. 7 is a rear elevational view thereof.

1 Claim, 7 Drawing Sheets



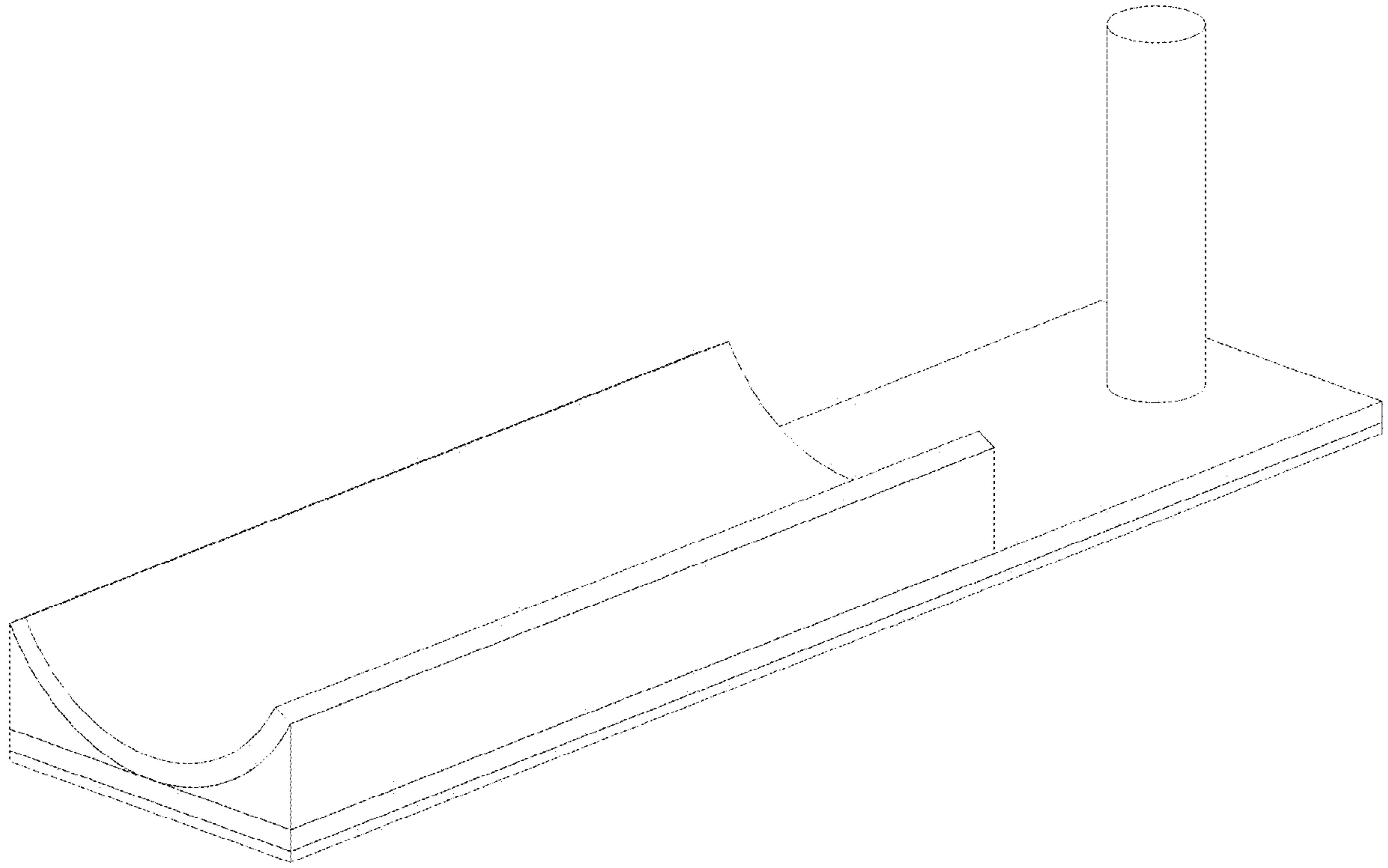


FIG. 1

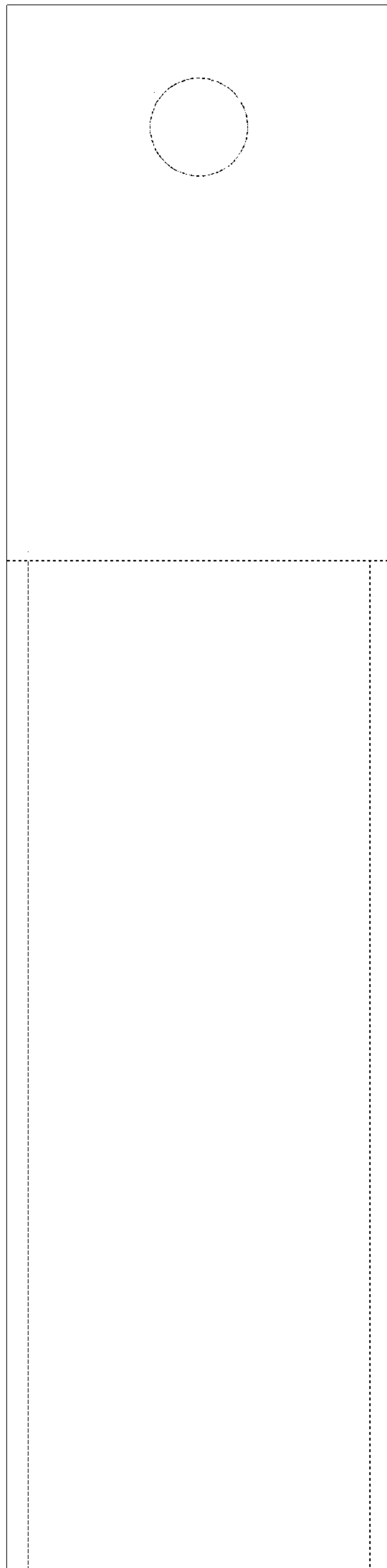


FIG. 2



FIG. 3



FIG. 4

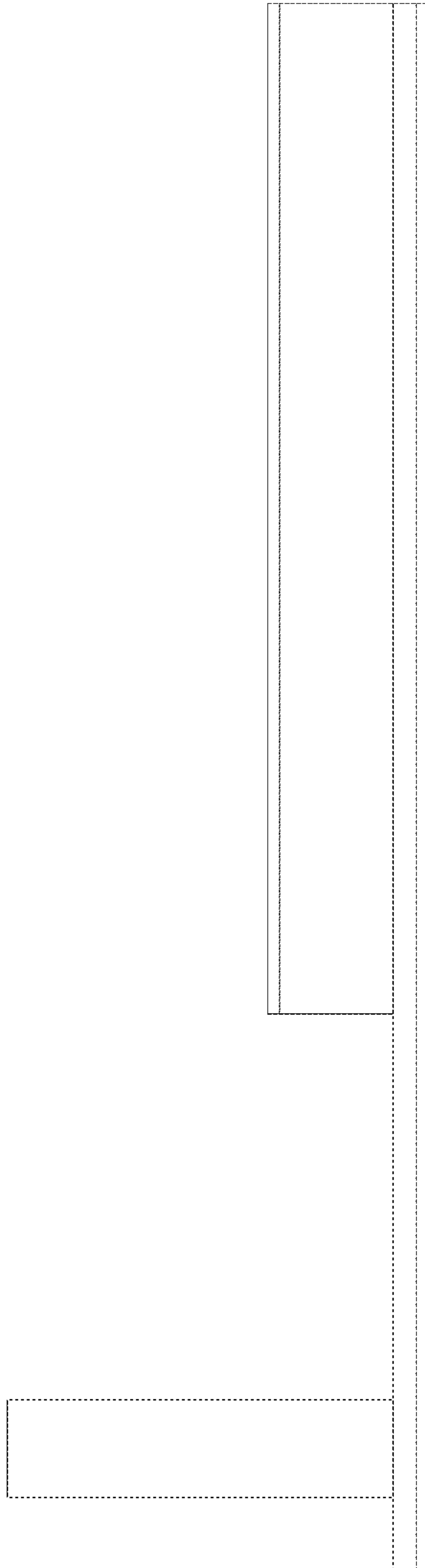


FIG. 5

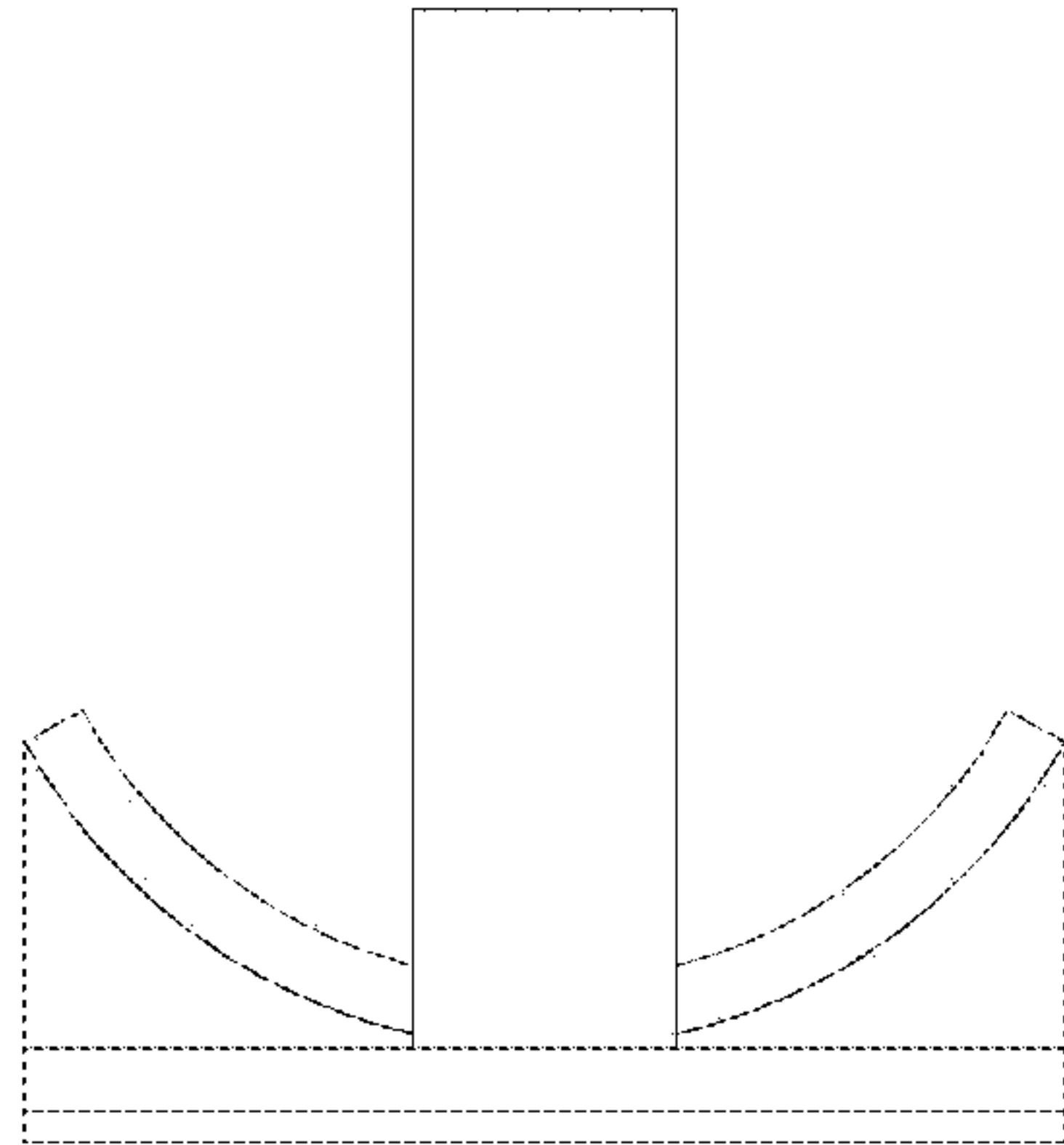


FIG. 6

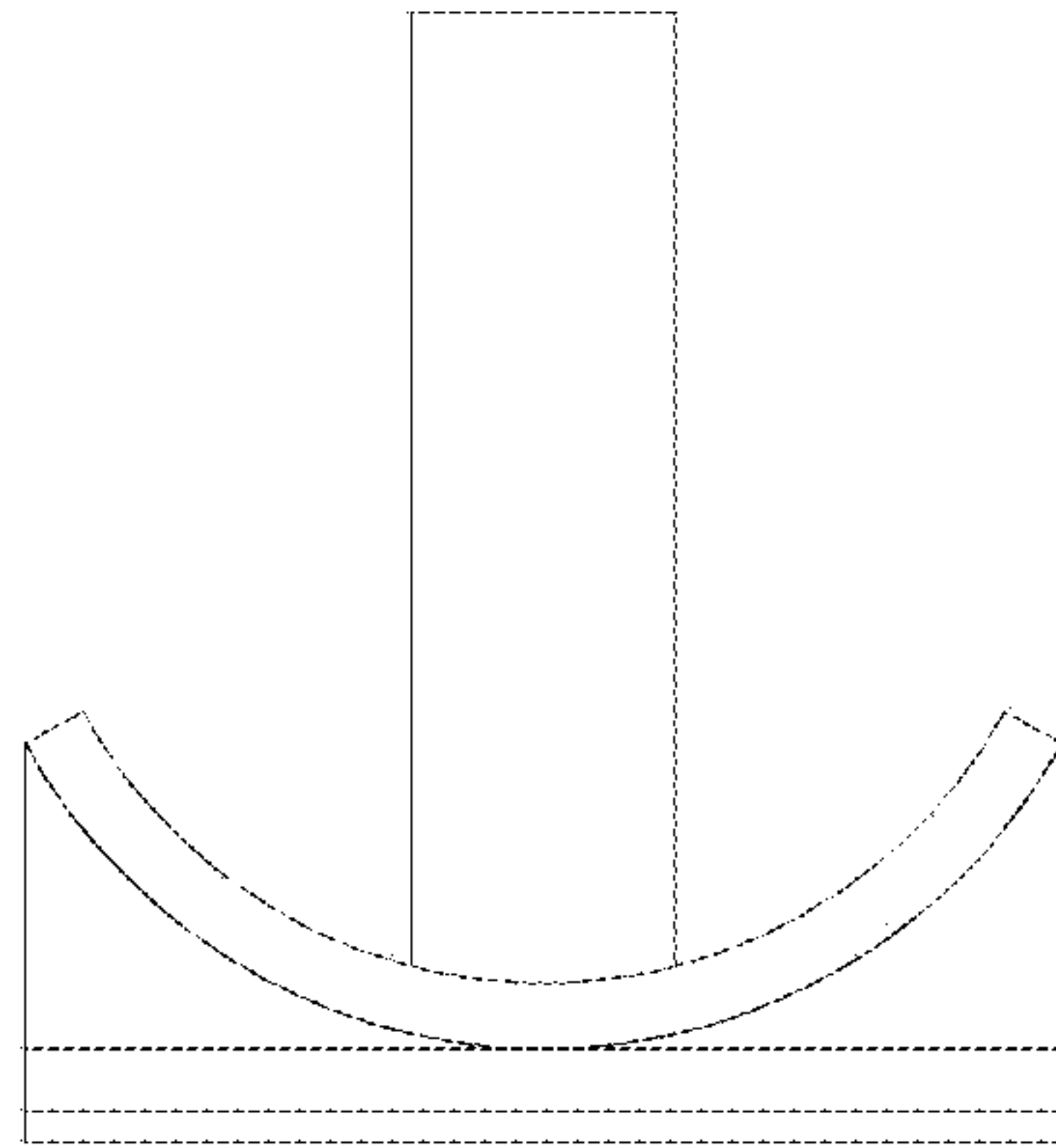


FIG. 7