

US00D979672S

(12) **United States Design Patent**  
**Ballestero**

(10) **Patent No.:** **US D979,672 S**  
(45) **Date of Patent:** **\*\* Feb. 28, 2023**

- (54) **EXERCISE SYSTEM**
- (71) Applicant: **BootySprout, Inc.**, Novato, CA (US)
- (72) Inventor: **Michael Ballestero**, Novato, CA (US)
- (73) Assignee: **BootySprout, Inc.**, Novato, CA (US)
- (\*\*) Term: **15 Years**
- (21) Appl. No.: **29/741,933**
- (22) Filed: **Jul. 16, 2020**

- 4,332,381 A 6/1982 Lyons
- 4,371,162 A 2/1983 Hartzell
- 4,508,335 A \* 4/1985 Kelley ..... A63B 23/0211  
482/145
- D280,843 S \* 10/1985 Kelley ..... D21/687
- D300,158 S \* 3/1989 Chang ..... D21/665
- 4,863,163 A 9/1989 Wehrell
- 4,968,028 A 11/1990 Wehrell
- 4,982,958 A 1/1991 Ullman
- 5,100,130 A \* 3/1992 Shoebrooks ..... A63B 21/4039  
482/121
- 5,120,052 A \* 6/1992 Evans ..... A63B 23/0211  
482/145
- 5,125,883 A \* 6/1992 Shoebrooks ..... A63B 21/4037  
482/121
- D337,824 S \* 7/1993 Campbell ..... D24/190

**Related U.S. Application Data**

- (63) Continuation of application No. 16/138,848, filed on Sep. 21, 2018, now Pat. No. 11,135,464.
- (60) Provisional application No. 62/547,094.
- (51) **LOC (14) Cl.** ..... **21-02**
- (52) **U.S. Cl.**  
USPC ..... **D21/686**
- (58) **Field of Classification Search**  
USPC ..... D21/662, 673, 686, 687, 688, 689, 690,  
D21/691, 694; 482/140, 142, 122, 146,  
482/126, 127, 121, 130  
CPC ..... A63B 23/0211; A63B 21/4047; A63B  
2208/0252; A63B 21/068; A63B 23/0233;  
A63B 23/0222; A63B 2208/0247; A63B  
21/4029; A63B 21/4037; A63B 23/03525;  
A63B 69/0062; A63B 21/00181; A63B  
21/00047; A63B 21/00069; A63B  
23/0216; A63B 23/0227; A63B 21/0442;  
A63B 2208/0228; A63B 2208/0238;  
A63B 2208/0242

See application file for complete search history.

(56) **References Cited**

**U.S. PATENT DOCUMENTS**

- 1,623,670 A 4/1927 Frankenfeld
- 4,102,336 A 7/1978 Wiener et al.
- 4,282,868 A 8/1981 Riggs

(Continued)

**FOREIGN PATENT DOCUMENTS**

- DE 29800505 U1 3/1998
- WO 2008077117 A1 6/2008

**OTHER PUBLICATIONS**

Fit Clinic by Fit Clinic dated Mar. 4, 2021. Found online [Jul. 13, 2022] <https://tinyurl.com/2p8amdjc>.\*

(Continued)

*Primary Examiner* — Ryan Harvey  
(74) *Attorney, Agent, or Firm* — Norton Rose Fulbright US LLP

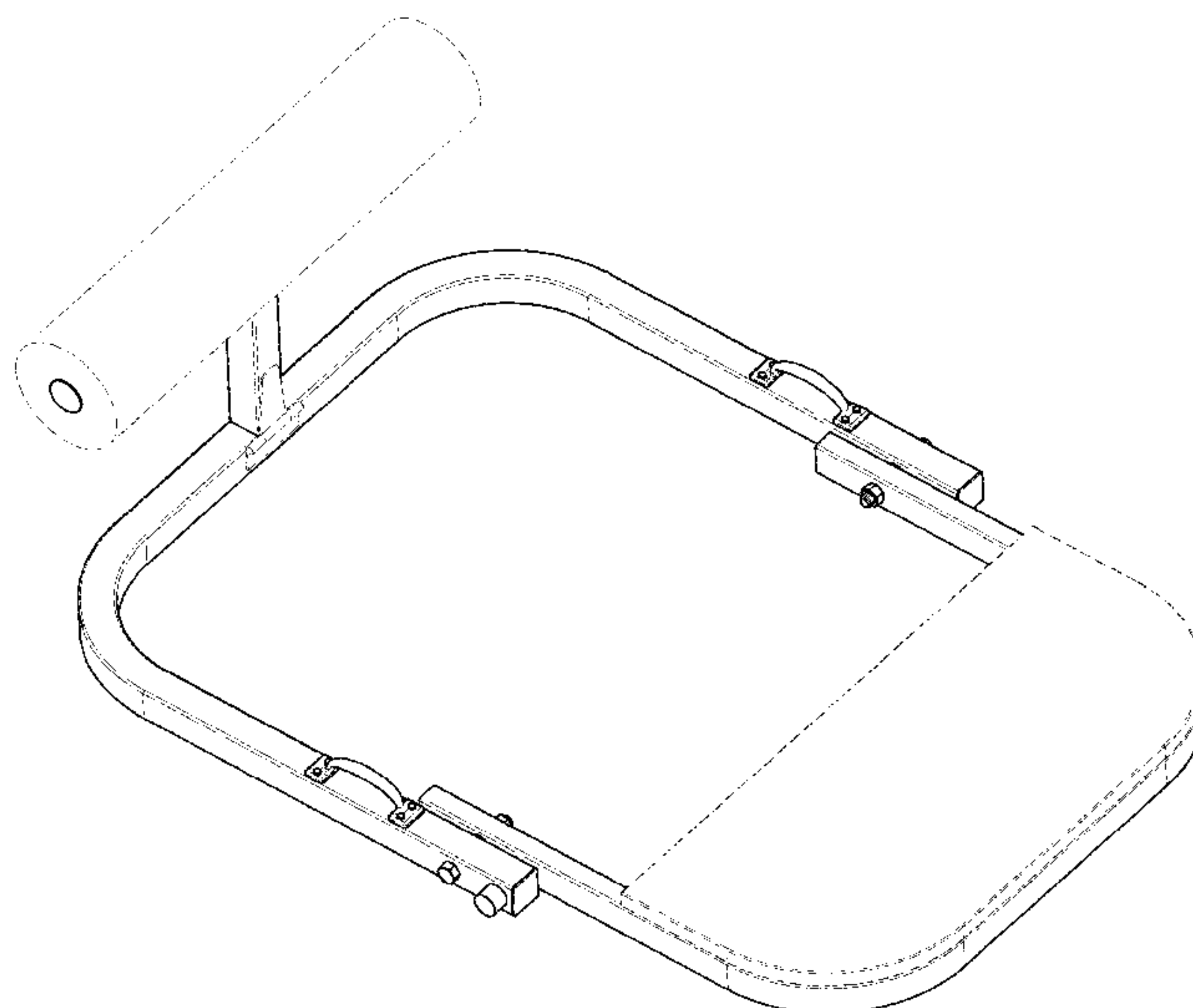
(57) **CLAIM**

The ornamental design for an exercise system, as shown and described.

**DESCRIPTION**

The FIGURE is a front, left side perspective view of an exercise system according to my new design. The portions of the features depicted in broken lines are not part of the claimed design.

**1 Claim, 1 Drawing Sheet**



(56)

References Cited

U.S. PATENT DOCUMENTS

D349,344 S *	8/1994	Kudlak	D24/188	7,207,932 B1 *	4/2007	Dean	A63B 23/0211
5,346,447 A *	9/1994	Stearns	A63B 21/154				482/148
			482/142	7,431,681 B1	10/2008	St. Cyr	
5,492,520 A *	2/1996	Brown	A63B 23/0211	D590,457 S	4/2009	Mishan	
			482/142	7,608,025 B1	10/2009	Best	
D371,177 S *	6/1996	Efobi	D21/687	7,739,775 B2	6/2010	Shimanski	
5,545,114 A *	8/1996	Gvoich	A63B 21/4011	D630,275 S *	1/2011	Mills	D21/687
			482/142	D630,688 S *	1/2011	Mills	D21/687
				7,951,054 B2	5/2011	Snow et al.	
5,551,934 A	9/1996	Binette		7,963,894 B2 *	6/2011	Hanspall	A63B 23/0211
5,577,987 A *	11/1996	Brown	A63B 23/0211				482/140
			482/142	D658,420 S *	5/2012	Liang	D6/592
5,591,111 A *	1/1997	Wang	A63B 23/0211	D659,207 S *	5/2012	Brown	D21/687
			482/142	8,172,736 B2	5/2012	Contreras	
5,630,778 A *	5/1997	Barreca	A63B 21/0004	D681,753 S *	5/2013	Ellison	D21/690
			482/142	8,465,403 B2	6/2013	McCall, Jr.	
D379,836 S *	6/1997	Chen	D21/691	D685,867 S *	7/2013	Mehlman	A63B 21/4039
D380,517 S *	7/1997	Ho	D21/691				D21/687
D381,378 S *	7/1997	Colonello	D21/687	D700,792 S	3/2014	Melton	
5,645,510 A	7/1997	Wilkinson		D711,985 S *	8/2014	Will	D21/687
D384,379 S *	9/1997	Lin	D21/687	D727,441 S *	4/2015	Chuang	D21/687
5,665,041 A *	9/1997	Hsieh	A63B 23/0222	D730,457 S *	5/2015	Ho	D21/687
			482/133	D732,119 S *	6/2015	Ho	D21/687
D385,930 S *	11/1997	Chen	D21/687	9,061,172 B1	6/2015	Carrier	
5,692,997 A *	12/1997	Stearns	A63B 21/154	D741,421 S *	10/2015	Ho	D21/687
			482/130	D743,494 S *	11/2015	Ho	D21/687
5,702,334 A *	12/1997	Lee	A63B 23/0227	9,199,110 B2	12/2015	Jones	
			482/142	9,278,252 B1 *	3/2016	Will	A63B 21/055
D391,314 S *	2/1998	Cordero	D21/687	9,339,688 B1 *	5/2016	Campbell	A63B 21/4029
5,725,463 A *	3/1998	Colonello	A63B 23/0211	9,511,252 B1 *	12/2016	Ho	A63B 21/068
			482/131	D776,768 S *	1/2017	Ho	D21/687
5,728,035 A *	3/1998	Sands	A63B 21/4047	D779,588 S *	2/2017	Chuang	D21/687
			482/142	9,573,018 B2 *	2/2017	MacColl	A63B 23/0233
5,746,688 A *	5/1998	Prager	A63B 23/03541	9,630,054 B1 *	4/2017	Russo	A63B 69/0057
			482/130	9,630,055 B2	4/2017	Runyan	
5,752,901 A *	5/1998	Lee	A63B 21/4047	9,643,047 B1 *	5/2017	Chen	A63B 23/0227
			482/130	D790,011 S *	6/2017	Zhou	D21/687
D395,684 S *	6/1998	Olschansky	D21/662	D791,888 S *	7/2017	Huang	D21/687
5,772,562 A *	6/1998	Stevens	A63B 23/0211	9,713,740 B1 *	7/2017	Chen	A63B 21/4033
			482/142	9,737,750 B2	8/2017	Garcia Lopez	
5,772,563 A *	6/1998	Lin	A63B 23/03525	9,782,619 B2	10/2017	Wang	
			482/121	9,782,622 B2	10/2017	Hornback	
5,776,042 A *	7/1998	Szabo	A63B 23/0211	9,878,203 B1 *	1/2018	Guarnaccia	A63B 21/00047
			482/142	D816,784 S *	5/2018	Monti	D21/690
5,779,607 A *	7/1998	Harris	A63B 21/0004	D818,548 S *	5/2018	Ho	D21/688
			482/142	9,974,999 B2	5/2018	Land	
5,813,957 A *	9/1998	Rossiter	A63B 23/0211	10,179,258 B1	1/2019	Sabbagh	
			482/142	D840,479 S *	2/2019	Haquet	D21/662
D400,953 S *	11/1998	Huang	D21/687	10,195,478 B2 *	2/2019	Monti	A63B 21/4035
D404,432 S *	1/1999	Sands	D21/662	D842,398 S *	3/2019	Zhu	D21/673
5,941,806 A *	8/1999	Olschansky	A63B 23/0222	10,220,236 B2	3/2019	Oltorik, Jr.	
			482/93	10,383,548 B2 *	8/2019	Brandon	A63B 21/00196
D413,948 S *	9/1999	Dalebout	D21/687	10,426,999 B2 *	10/2019	Doherty	A63B 23/02
6,090,023 A *	7/2000	Liu	A63B 21/4047	10,500,431 B2 *	12/2019	Leier	A63B 23/12
			482/130	10,512,811 B2	12/2019	Barber	
6,117,057 A *	9/2000	Olschansky	A63B 23/0222	10,610,728 B2	4/2020	Fano et al.	
			482/148	10,772,789 B2 *	9/2020	Abdo	A61H 15/0092
6,206,809 B1	3/2001	Habing et al.		10,881,896 B2 *	1/2021	Lagree	A63B 21/157
6,220,994 B1	4/2001	Rich		D911,463 S *	2/2021	Roseberry	D21/686
6,220,995 B1 *	4/2001	Chen	A63B 21/02	11,135,470 B2 *	10/2021	Monti	A63B 21/4029
			601/24	11,213,712 B1 *	1/2022	Lejuez	A63B 23/1209
6,299,669 B1	10/2001	Rich		D951,375 S *	5/2022	Zhu	D21/686
6,387,024 B1	5/2002	Monti et al.		D953,452 S *	5/2022	Smith	D21/686
6,592,500 B1 *	7/2003	McBride	A63B 23/0211	2002/0132711 A1 *	9/2002	Wallerstein	A63B 21/4009
			482/907				482/142
D496,701 S *	9/2004	Chung	D21/687	2003/0004042 A1	1/2003	Burrell	
7,074,165 B1 *	7/2006	Hodge	A63B 21/4037	2003/0083178 A1	5/2003	Gilman	
			482/907	2003/0100415 A1 *	5/2003	Augustine	A63B 23/0211
7,101,328 B2 *	9/2006	Chiu	A63B 23/0211				482/140
			D21/687	2003/0199372 A1 *	10/2003	Robinson	A63B 23/0222
7,179,213 B1 *	2/2007	Kuo	A63B 21/4047				482/142
			482/907	2004/0053757 A1	3/2004	Chung	
				2004/0209750 A1 *	10/2004	Parmater	A63B 23/02
							482/123
				2005/0075224 A1 *	4/2005	Lin	A63B 23/0222
							482/130
				2006/0019806 A1	1/2006	Mikulski	



(56)

References Cited

U.S. PATENT DOCUMENTS

2006/0040811 A1\* 2/2006 Foster ..... A63B 21/4039  
482/148  
2006/0068979 A1\* 3/2006 Hsieh ..... A63B 21/00047  
482/140  
2006/0199706 A1 9/2006 Wehrell  
2006/0199712 A1\* 9/2006 Barnard ..... A63B 22/203  
482/142  
2007/0027008 A1\* 2/2007 Levinson ..... A63B 21/4047  
482/121  
2007/0066463 A1\* 3/2007 Araujo ..... A63B 21/00181  
482/142  
2007/0087920 A1 4/2007 Dachraoui et al.  
2007/0099778 A1\* 5/2007 Ko ..... A63B 23/0227  
482/142  
2007/0135281 A1\* 6/2007 Liao ..... A63B 23/0211  
482/140  
2007/0281840 A1\* 12/2007 Tsai ..... A63B 23/0211  
482/142  
2008/0015096 A1\* 1/2008 Isacowitz ..... A63B 21/0552  
482/130  
2008/0058183 A1\* 3/2008 Younane ..... A63B 21/022  
482/140  
2008/0076649 A1\* 3/2008 Chen ..... A47C 7/405  
482/142  
2008/0090709 A1\* 4/2008 Chen ..... A63B 21/4047  
482/142  
2008/0214369 A1 9/2008 Mancini  
2009/0227435 A1\* 9/2009 Pandozy ..... A63B 21/0616  
482/142  
2010/0016132 A1 1/2010 Flynn  
2010/0041530 A1\* 2/2010 Liu ..... A63B 23/0211  
482/142  
2010/0197471 A1\* 8/2010 Hayes ..... A63B 23/0211  
482/142  
2010/0273617 A1\* 10/2010 Mills ..... A63B 23/0211  
482/142  
2010/0323857 A1 12/2010 D'Silva et al.  
2011/0021329 A1 1/2011 Dunne  
2011/0195826 A1\* 8/2011 Nayebdadash .... A63B 23/0227  
482/140  
2011/0218077 A1 9/2011 Fernandez et al.  
2011/0251033 A1 10/2011 Blancher  
2012/0115692 A1 5/2012 Bussen et al.  
2012/0184419 A1\* 7/2012 Zhu ..... A63B 23/0222  
482/127  
2012/0244997 A1 9/2012 Thompson  
2012/0316041 A1\* 12/2012 Meister ..... A63B 23/0233  
482/140  
2012/0316042 A1\* 12/2012 Carlson ..... A63B 21/4035  
482/140  
2013/0029812 A1\* 1/2013 Teeter ..... A61H 1/0292  
482/126  
2013/0045844 A1\* 2/2013 Huang ..... A63B 23/0233  
482/140  
2013/0244835 A1 9/2013 Thompson

2014/0066262 A1 3/2014 Kennedy  
2014/0113773 A1 4/2014 Marghella  
2014/0113780 A1 4/2014 Emmert  
2014/0155232 A1 6/2014 Wolan  
2014/0287894 A1 9/2014 Austin  
2014/0364288 A1\* 12/2014 Chuang ..... A63B 23/0355  
482/122  
2015/0031513 A1\* 1/2015 Park ..... A63B 21/4039  
482/140  
2015/0375036 A1\* 12/2015 Ho ..... A63B 21/00185  
482/140  
2015/0375037 A1\* 12/2015 Ho ..... A63B 21/4031  
482/140  
2017/0056708 A1 3/2017 Kelly  
2017/0304677 A1 10/2017 Clinton  
2018/0304112 A1 10/2018 Shih  
2018/0318641 A1 11/2018 Lootsma  
2019/0111302 A1\* 4/2019 Ballestero ..... A63B 21/00061  
2019/0308066 A1\* 10/2019 Rusch ..... A63B 21/4037  
2020/0016455 A1\* 1/2020 Van Strander .... A63B 21/4029  
2020/0121980 A1\* 4/2020 Griggs ..... A63B 21/4037  
2020/0338391 A1\* 10/2020 Hall ..... A63B 21/0724  
2021/0244993 A1\* 8/2021 Singer ..... A63B 22/0087

OTHER PUBLICATIONS

Base Bench by Base Blocks dated May 6, 2022. Found online [Jul. 13, 2022] <https://tinyurl.com/3cbwyawx>.  
Thane(Im) Booty Maxx, "Introducing Booty Maxx," retrieved from <https://bootymax.com.au/>; published by Danoz Direct Ply Ltd.; accessed on May 6, 2020; original publication date unknown; 3 pgs.  
Yukon International, "Butt & Thigh Shaper," retrieved from <https://www.yukon-fitness.com/products/butt-thigh-shaper-1>; published by Yukon Fitness; retrieved on May 7, 2020; original publication date unknown; 4 pgs.  
Body-Solid Inc., "Powerline Glute Max—PGM200X," retrieved from [https://www.bodysolid.com/home/pgm200x/powerline\\_glute\\_max](https://www.bodysolid.com/home/pgm200x/powerline_glute_max); retrieved on May 7, 2020; original publication date unknown; 1 pg.  
Larsen, Haakon A., "BootyBuilder(R)—The original hip thrust machine" retrieved from <https://bootybuilder.com/shop/>; publication date unknown; Norway; accessed on May 7, 2020; original publication date unknown; 3 pgs.  
EPO—International Search Report for related Int'l. Appln. No. PCT/US2019/021180, dated May 24, 2019, 3 pgs.  
EPO—Written Opinion for related Int'l. Appln. No. PCT/US2019/021180, dated May 24, 2019, 3 pgs.  
BootySprout, Inc., "BootySprout High Resistance at-home glute training." retrieved from <https://web.archive.org/web/20180824114900/hllps://www.bootysprout.com/>; published Aug. 6, 2018; retrieved on Apr. 15, 2020; 2 pgs.  
Bretcontreras Store, "BC Strength Thruster Lite" retrieved from <https://www.bretcontreras.store/collections/allproducts-services/products/thruster-lite-fitness-product>; publication date unknown; accessed on Apr. 26, 2020, 3 pgs.

\* cited by examiner

