



US00D979664S

(12) **United States Design Patent**
Lan

(10) **Patent No.:** **US D979,664 S**

(45) **Date of Patent:** **** Feb. 28, 2023**

- (54) **REMOTE CONTROL CAR**
- (71) Applicant: **Shenzhen Chengfeng Technology co., Ltd., Shenzhen (CN)**
- (72) Inventor: **Xue Lan, Sichuan (CN)**
- (73) Assignee: **Shenzhen Chengfeng Technology co., Ltd., Shenzhen (CN)**
- (**) Term: **15 Years**
- (21) Appl. No.: **29/806,288**
- (22) Filed: **Sep. 2, 2021**
- (51) **LOC (14) Cl.** **21-01**
- (52) **U.S. Cl.**
USPC **D21/550; D21/549**
- (58) **Field of Classification Search**
USPC D12/87; D21/424, 433, 434, 533,
D21/548-552, 557-562
CPC A63H 17/262; A63H 17/26; A63H 17/00;
A63H 17/004; A63H 17/045; A63H
17/05; A63H 30/00
See application file for complete search history.

(56) **References Cited**

U.S. PATENT DOCUMENTS

D309,930 S *	8/1990	Asaeda	D21/562
D425,141 S *	5/2000	Park	D21/550
D454,602 S *	3/2002	Tse	D21/559
D534,593 S *	1/2007	Yuen	D21/562
D837,307 S *	1/2019	Jin	D21/549
D851,183 S	6/2019	Wood et al.	
D871,512 S *	12/2019	Cai	D21/550
D897,452 S *	9/2020	Lin	D21/552
D897,453 S *	9/2020	Zhang	D21/550
D930,760 S *	9/2021	Ewing	D21/562
D936,757 S *	11/2021	Cai	D21/550

D940,253 S *	1/2022	Bao	D21/533
D952,054 S *	5/2022	Xu	D21/552
2014/0227941 A1*	8/2014	Suzuki	A63H 17/36 446/456
2016/0129355 A1*	5/2016	Erhart	A63H 29/20 446/454
2017/0080350 A1*	3/2017	Allmendinger	A63H 30/04

OTHER PUBLICATIONS

Bezgar TB142 RC Car, published on or before Aug. 18, 2020, amazon.com, retrieved Jul. 29, 2022, https://www.amazon.com/BEZGAR-Blue-Toy-Grade-Rechargeable/dp/B08C9KXZGF/ref=cm_cr_arp_d_product_top?ie=UTF8&th=1 (Year: 2020).*

* cited by examiner

Primary Examiner — Katherine A Holbrow
(74) *Attorney, Agent, or Firm* — Shen Huang

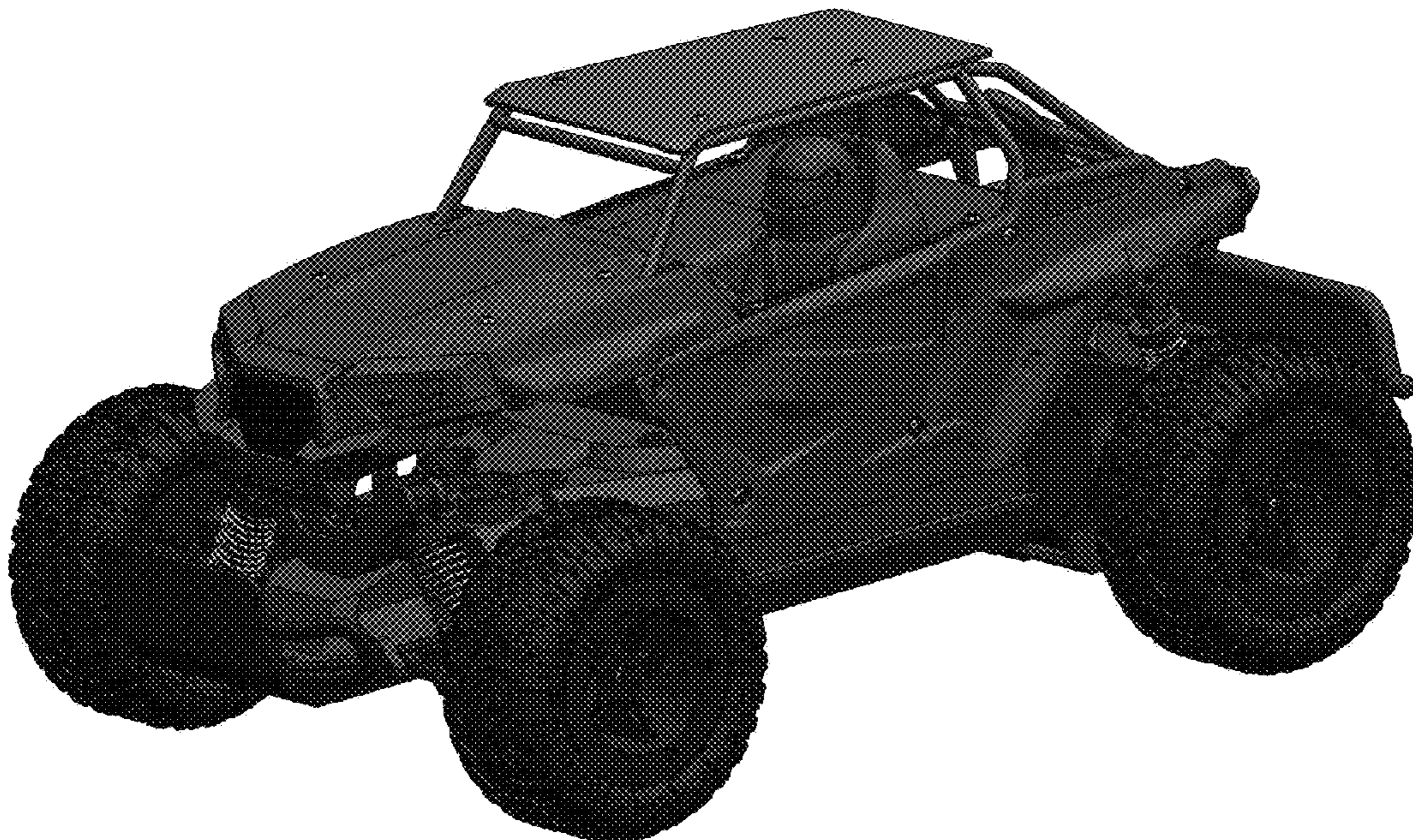
(57) **CLAIM**

I claim the ornamental design for a remote control car, as shown and described.

DESCRIPTION

FIG. 1 is a right side elevation view of a remote control car, showing my new design;
FIG. 2 is a left side elevation view thereof;
FIG. 3 is a front elevation view thereof;
FIG. 4 is a rear elevation view thereof;
FIG. 5 is a top plan view thereof;
FIG. 6 is a bottom plan view thereof;
FIG. 7 is a front, right side and top perspective view thereof;
FIG. 8 is a rear, left side and top perspective view thereof;
FIG. 9 is a bottom, left side and front perspective view thereof; and,
FIG. 10 is a bottom, right side and rear perspective view thereof.

1 Claim, 10 Drawing Sheets



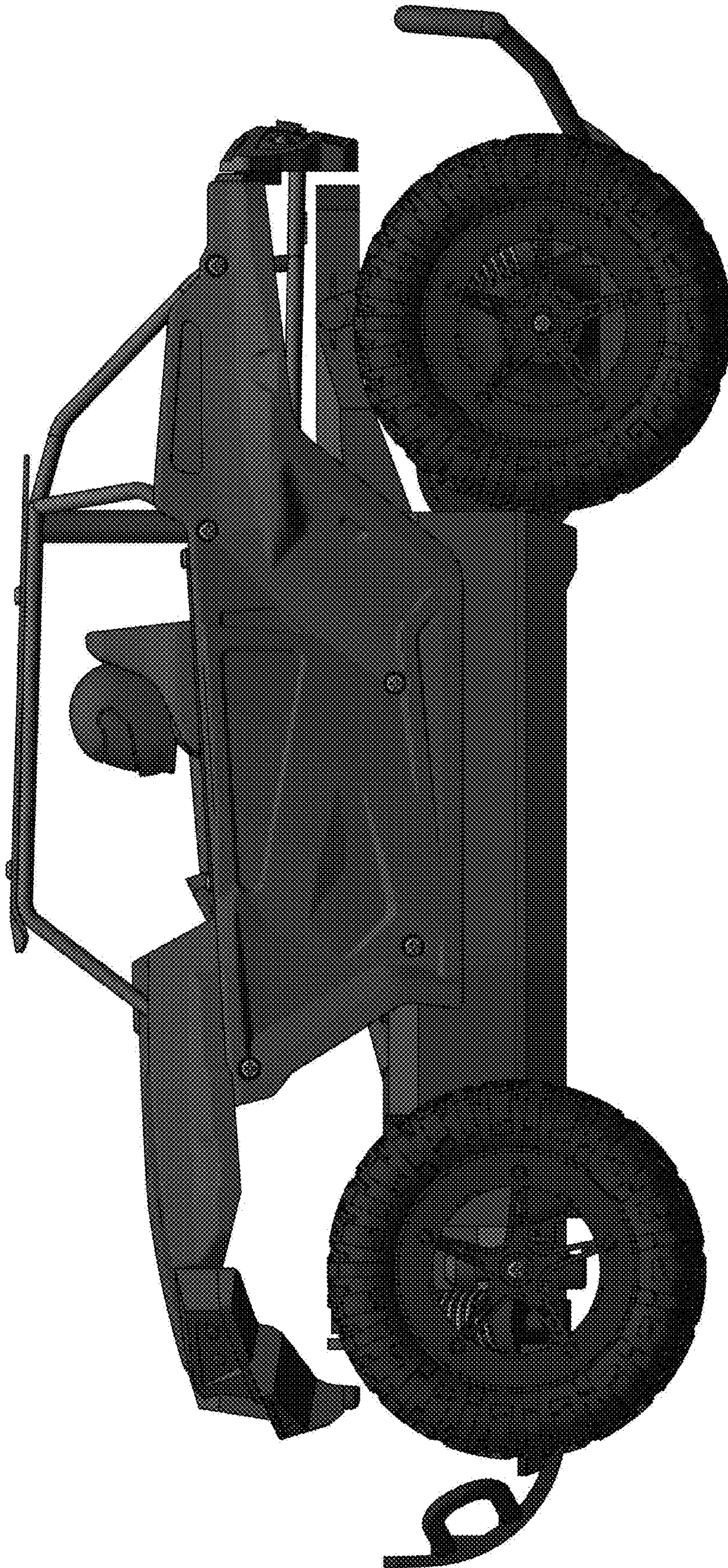


FIG. 1



FIG. 2

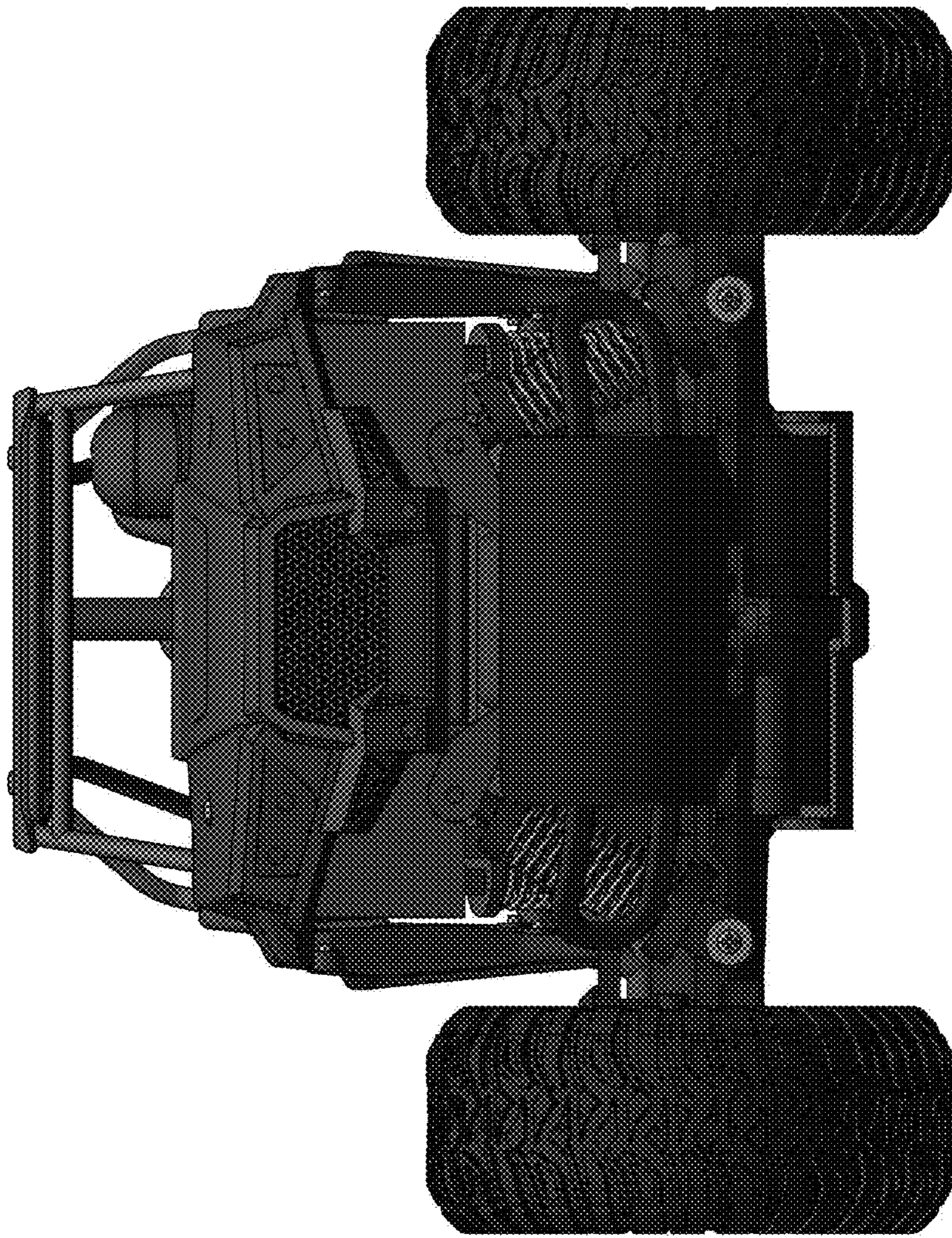


FIG. 3

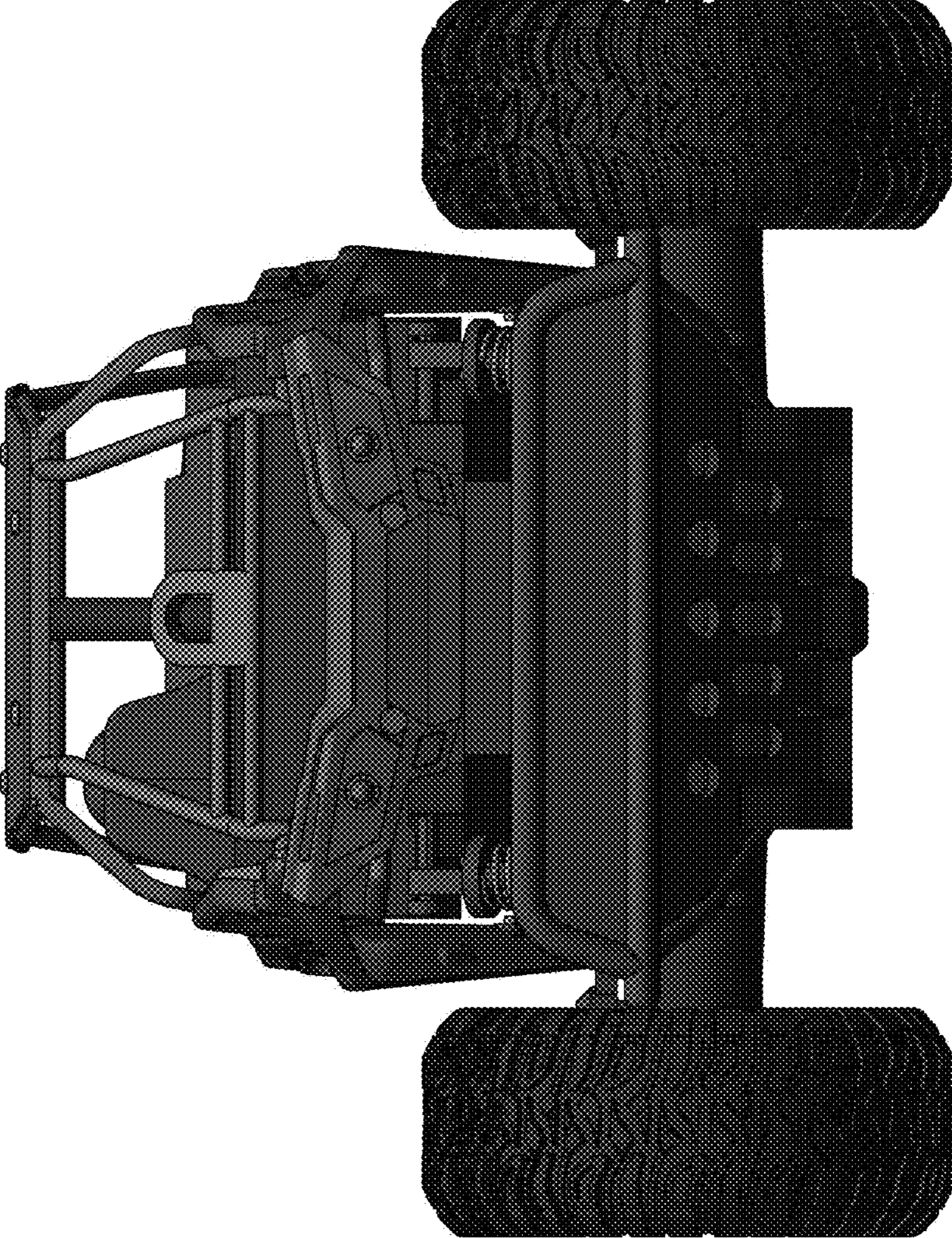


FIG. 4

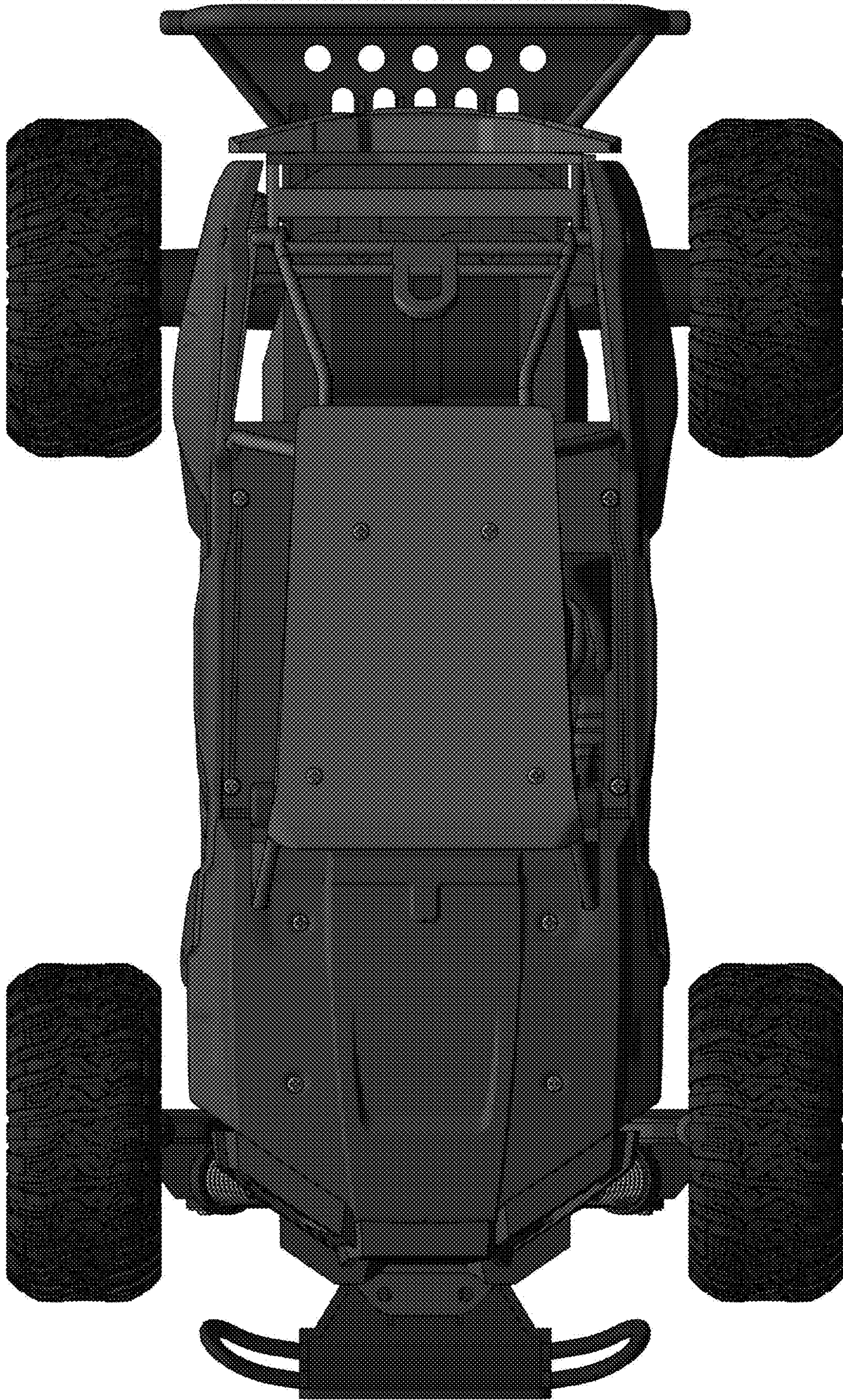


FIG. 5

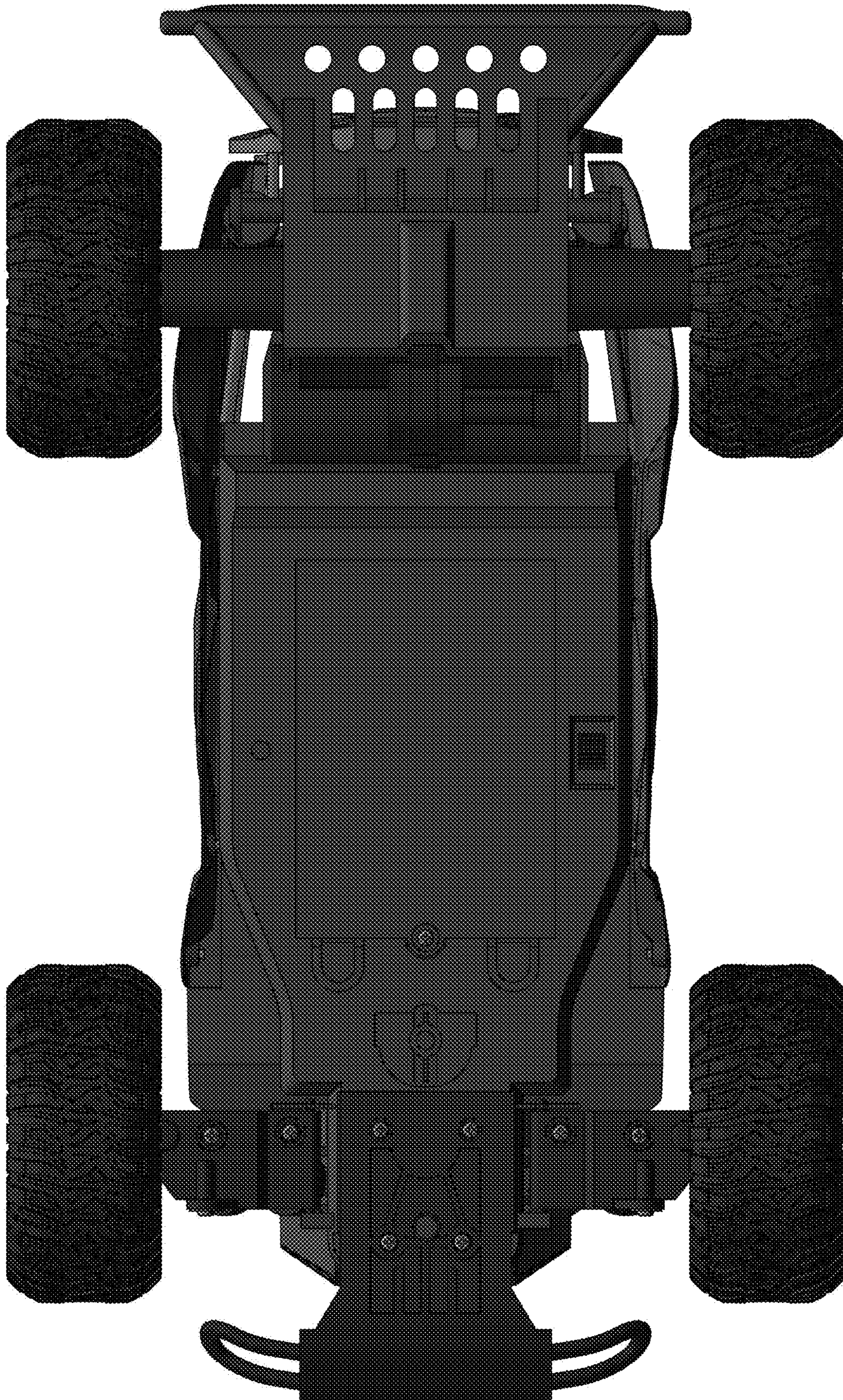


FIG. 6

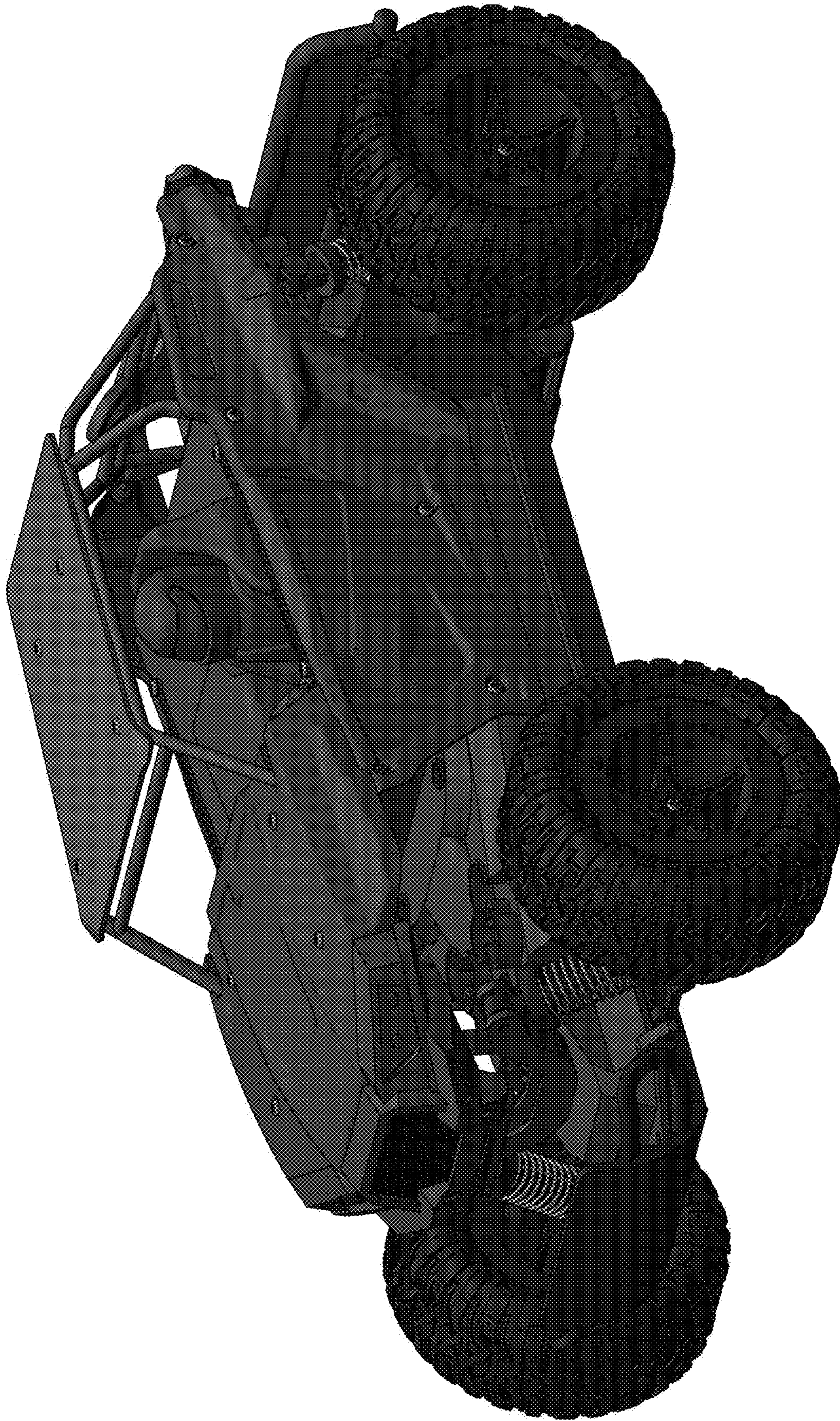


FIG. 7

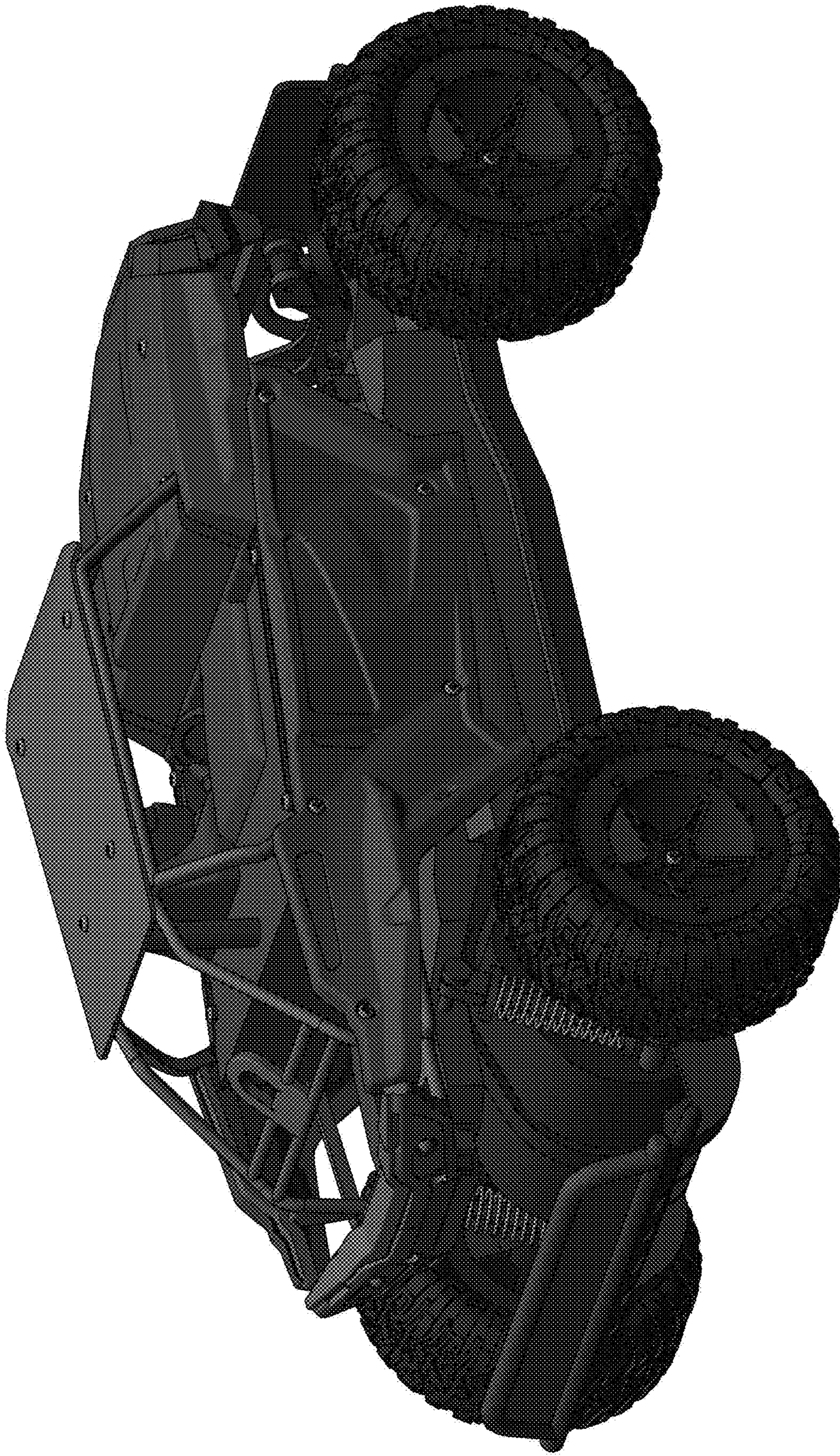


FIG. 8

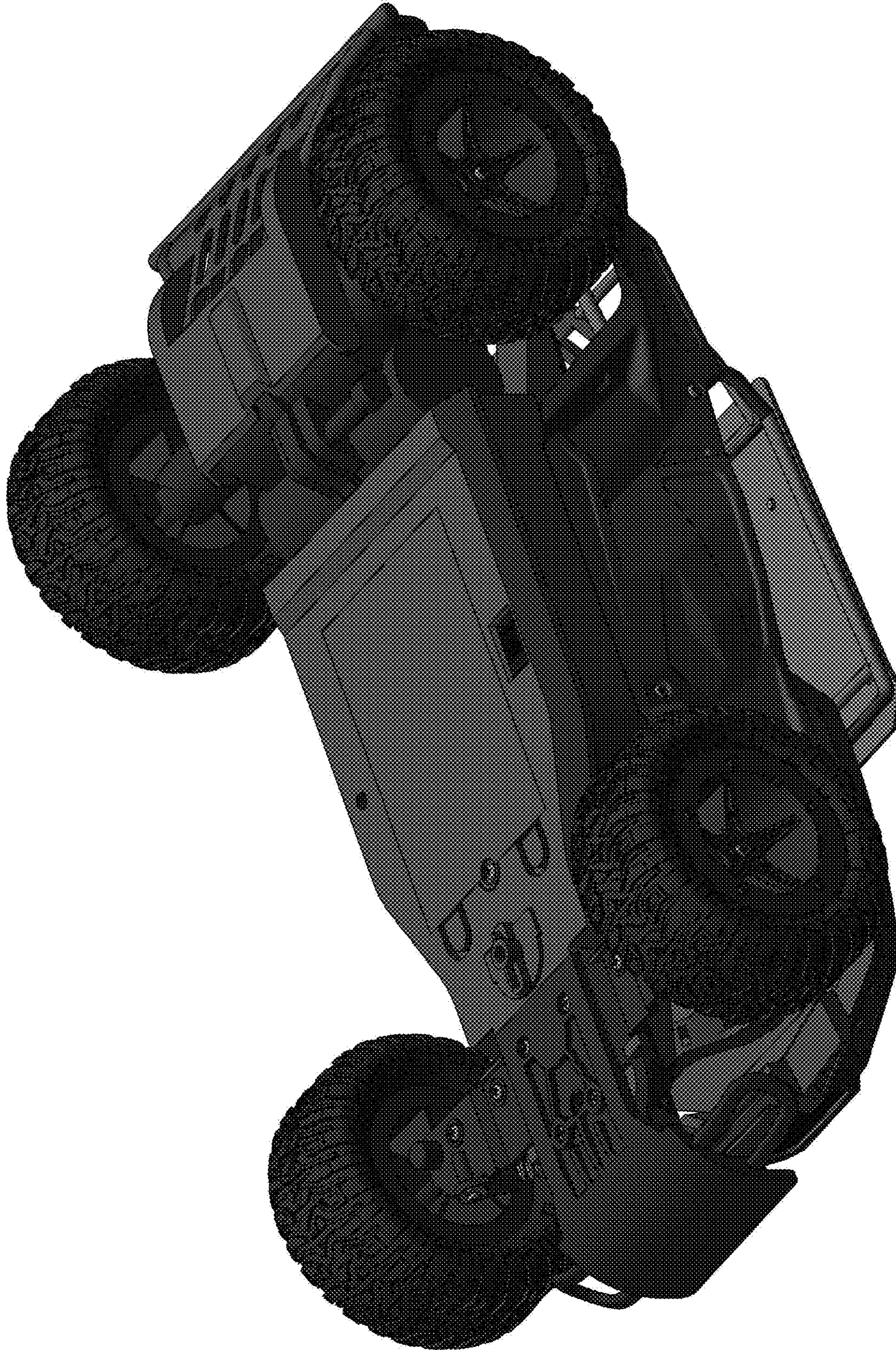


FIG. 9

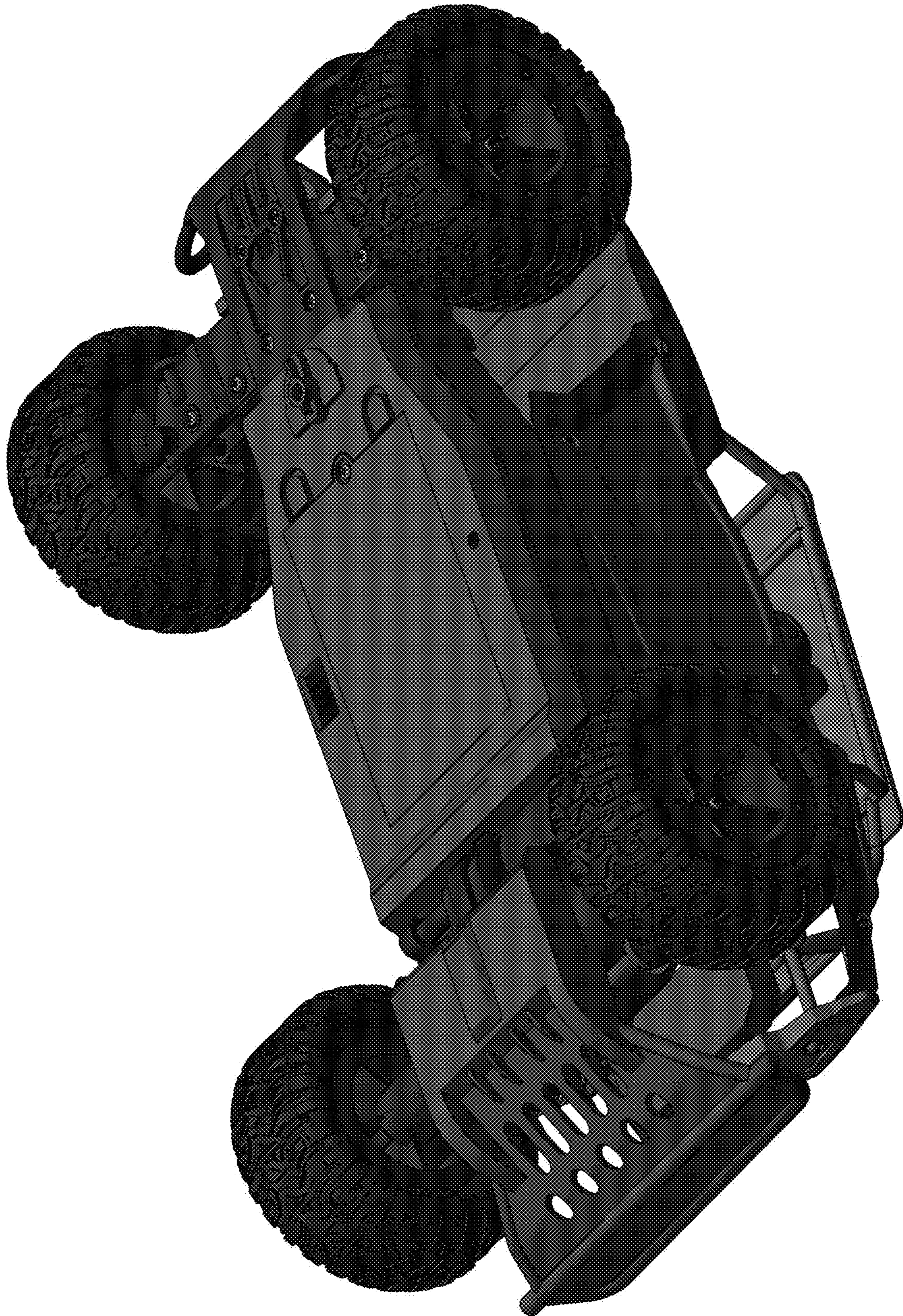


FIG. 10