



US00D979663S

(12) **United States Design Patent**
Chen

(10) **Patent No.:** **US D979,663 S**

(45) **Date of Patent:** **** Feb. 28, 2023**

(54) **CONSTRUCTION TOY**

(71) Applicant: **Yingfan Chen**, Guangzhou (CN)

(72) Inventor: **Yingfan Chen**, Guangzhou (CN)

(**) Term: **15 Years**

(21) Appl. No.: **29/769,865**

(22) Filed: **Feb. 8, 2021**

(51) **LOC (14) Cl.** **21-01**

(52) **U.S. Cl.**
USPC **D21/500**

(58) **Field of Classification Search**
USPC D21/484-505

CPC A63H 33/04; A63H 33/06; A63H 33/062;
A63H 33/08; A63H 33/082; A63H
33/084; A63H 33/086; A63H 33/088

See application file for complete search history.

(56) **References Cited**

U.S. PATENT DOCUMENTS

D430,231 S *	8/2000	Sorensen	D21/500
D456,463 S *	4/2002	Sorensen	D21/500
D465,247 S *	11/2002	Sorensen	D21/500
D470,196 S *	2/2003	Sorensen	D21/499
6,648,715 B2 *	11/2003	Wiens	A63H 33/062 446/124
D699,792 S *	2/2014	Hwang	D21/499

D748,741 S *	2/2016	Simonds	D21/499
D890,858 S *	7/2020	Grove	D21/499
D903,782 S *	12/2020	Semling	D21/499

* cited by examiner

Primary Examiner — Cynthia M. Chin

(74) *Attorney, Agent, or Firm* — Ascenda Law Group, PC

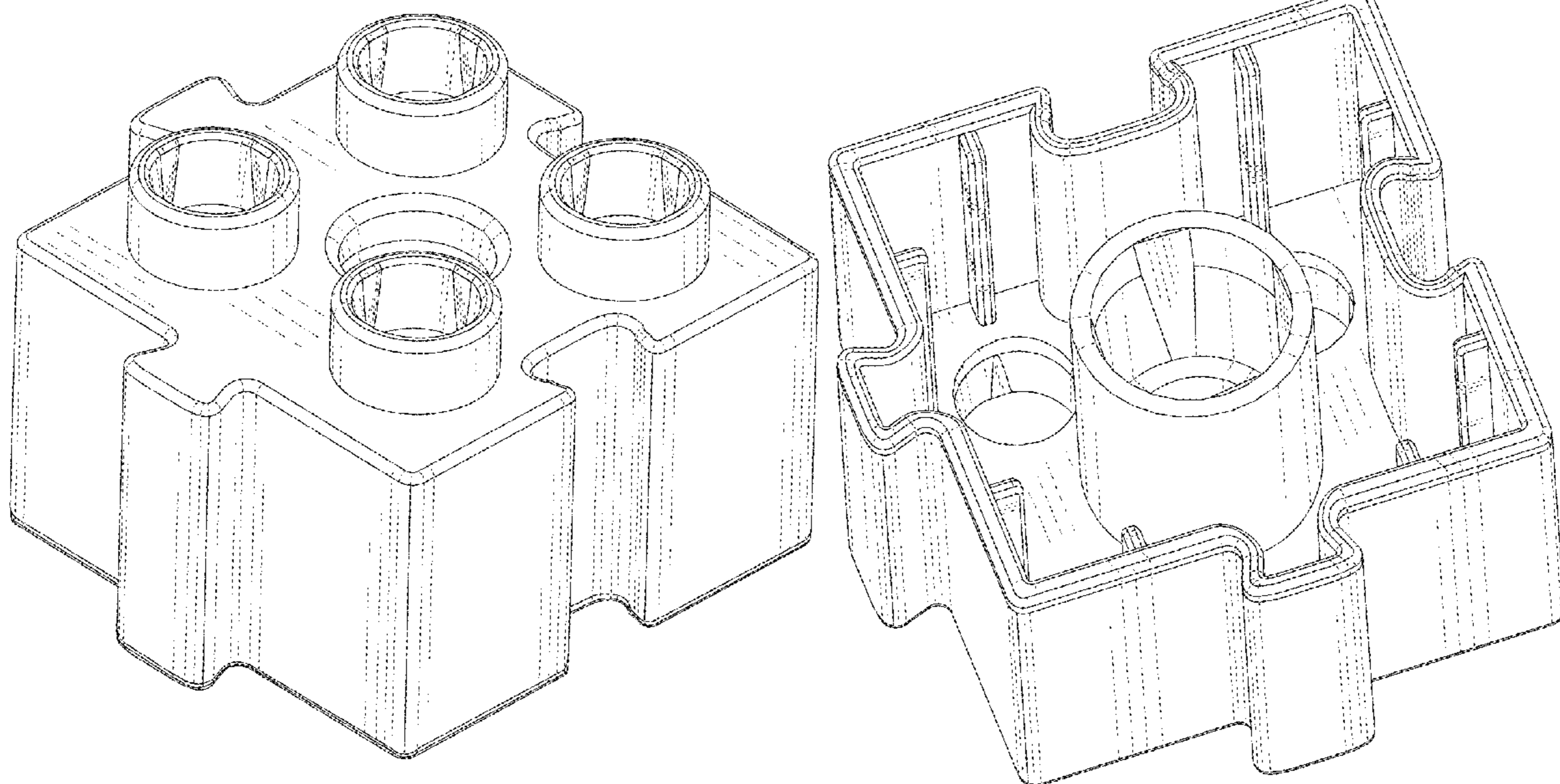
(57) **CLAIM**

The ornamental design for a construction toy, as shown and described.

DESCRIPTION

FIG. 1 is a front, left and bottom perspective view of a construction toy showing my new design; FIG. 2 is a rear, left and top perspective view thereof; FIG. 3 is a front elevational view thereof; FIG. 4 is a rear elevational view thereof; FIG. 5 is a left side view thereof; FIG. 6 is a right side view thereof; FIG. 7 is a top plan view thereof; FIG. 8 is a bottom plan view thereof; and, FIG. 9 is a sectional view taken in the direction of line 9-9 in FIG. 3.

1 Claim, 9 Drawing Sheets



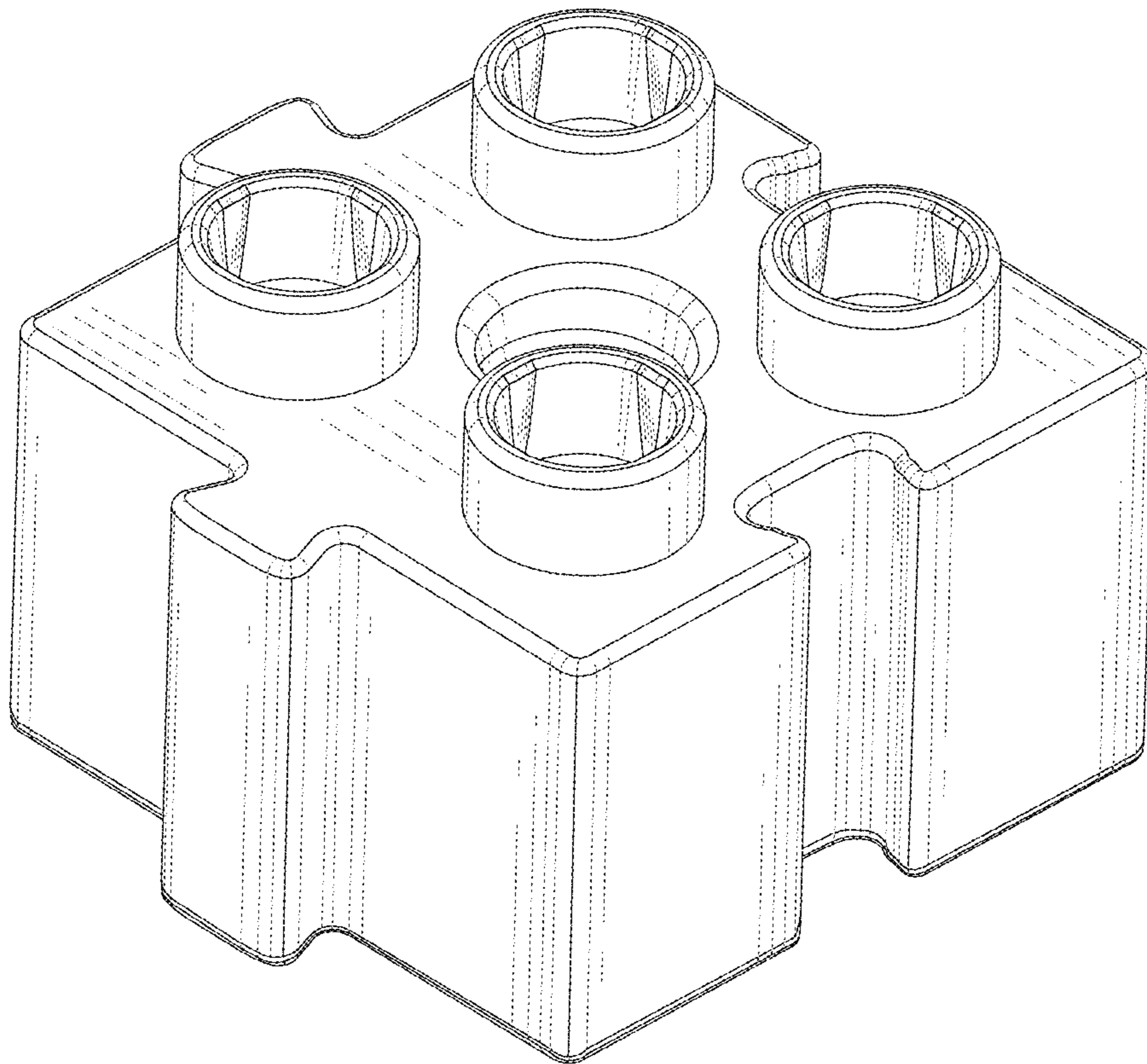


Fig. 1

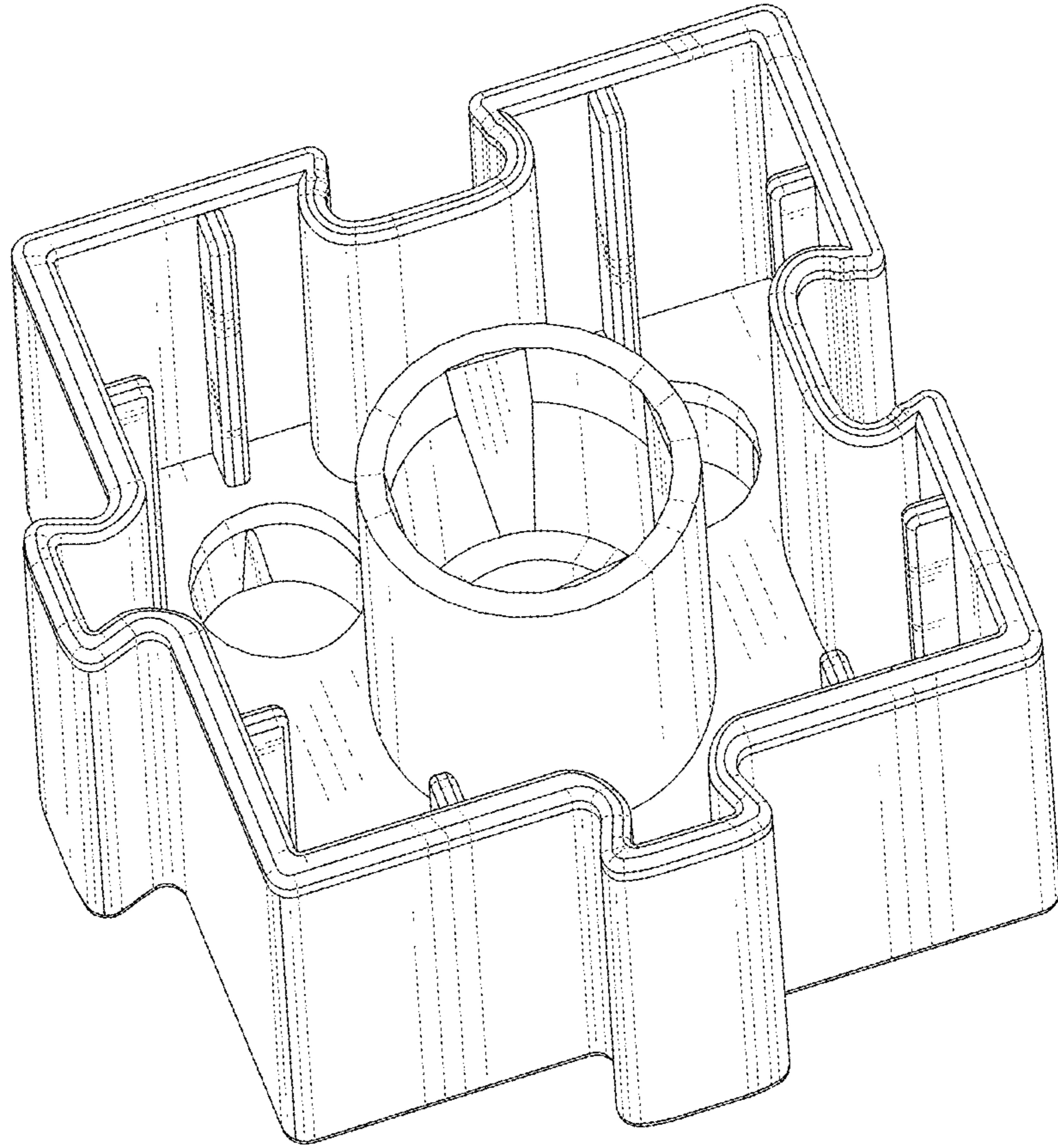


Fig.2

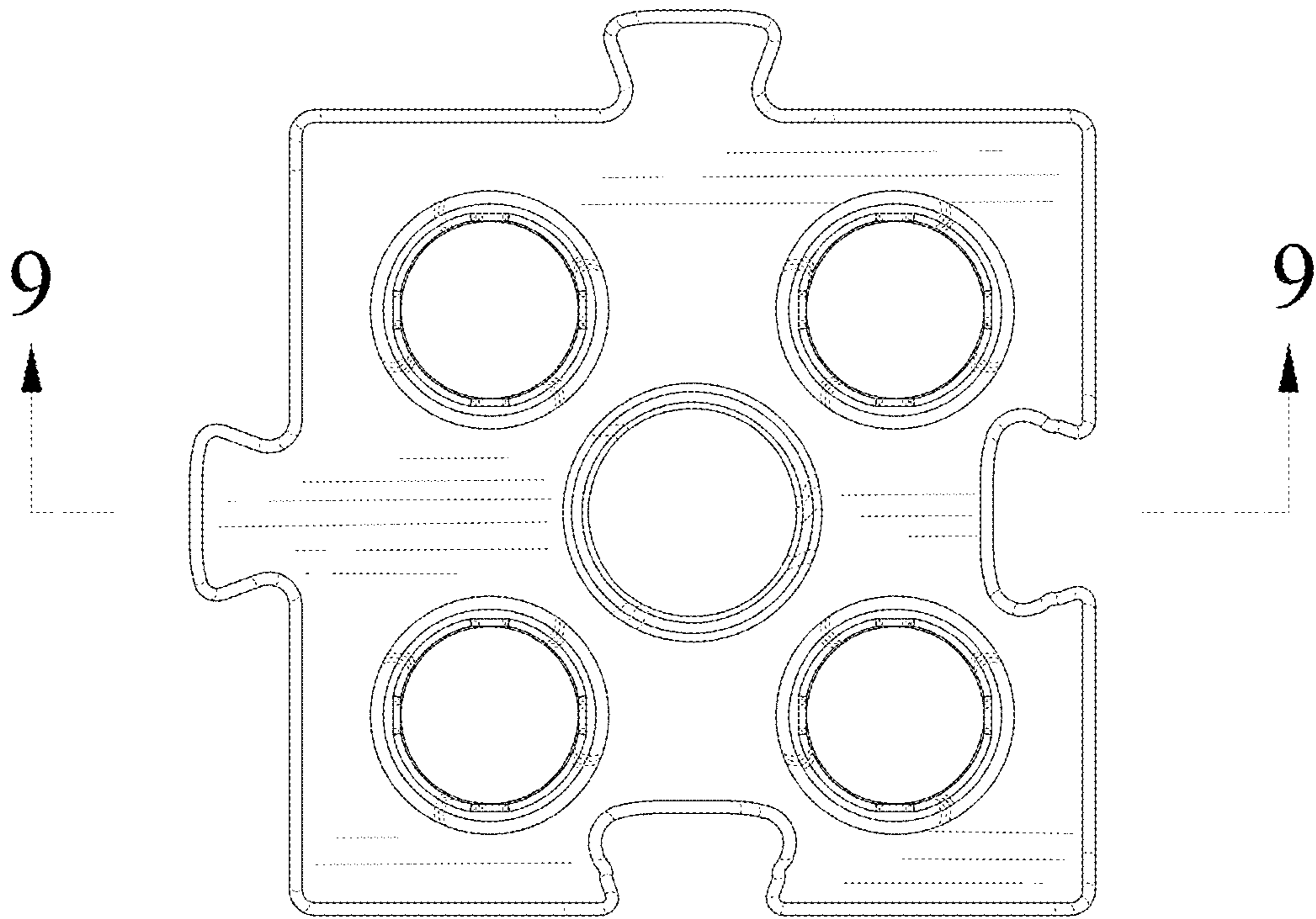


Fig.3

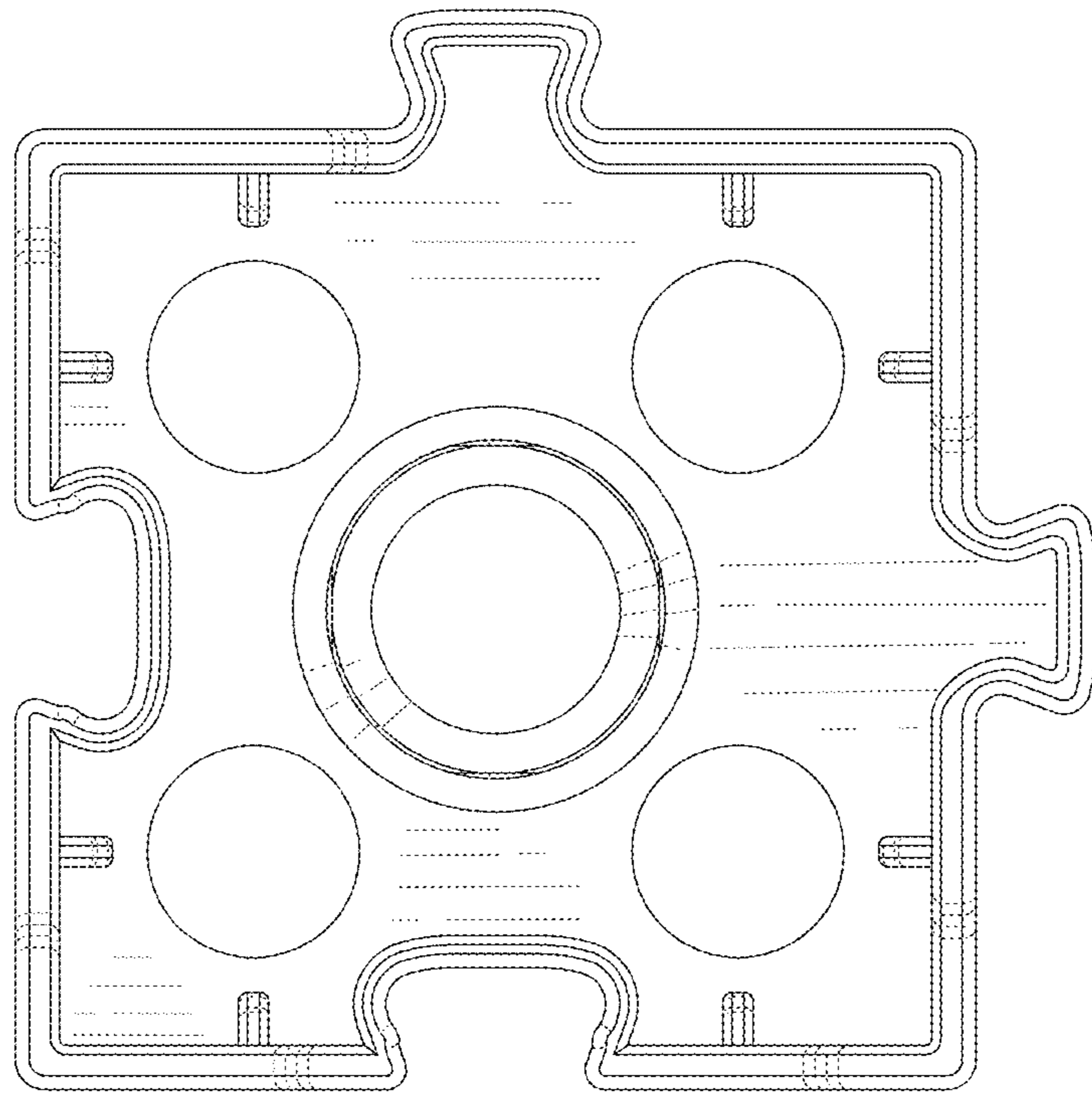


Fig.4

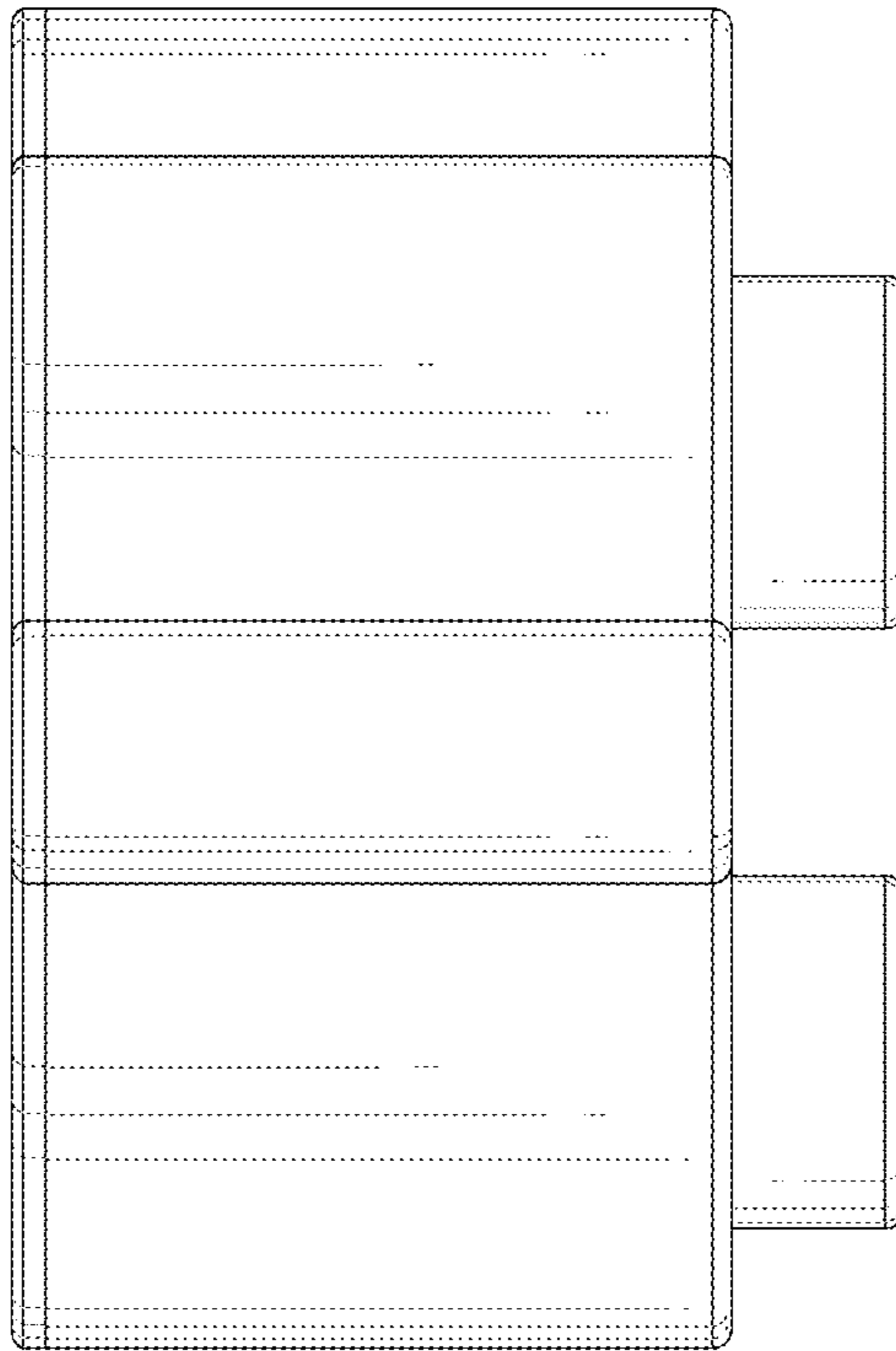


Fig. 5

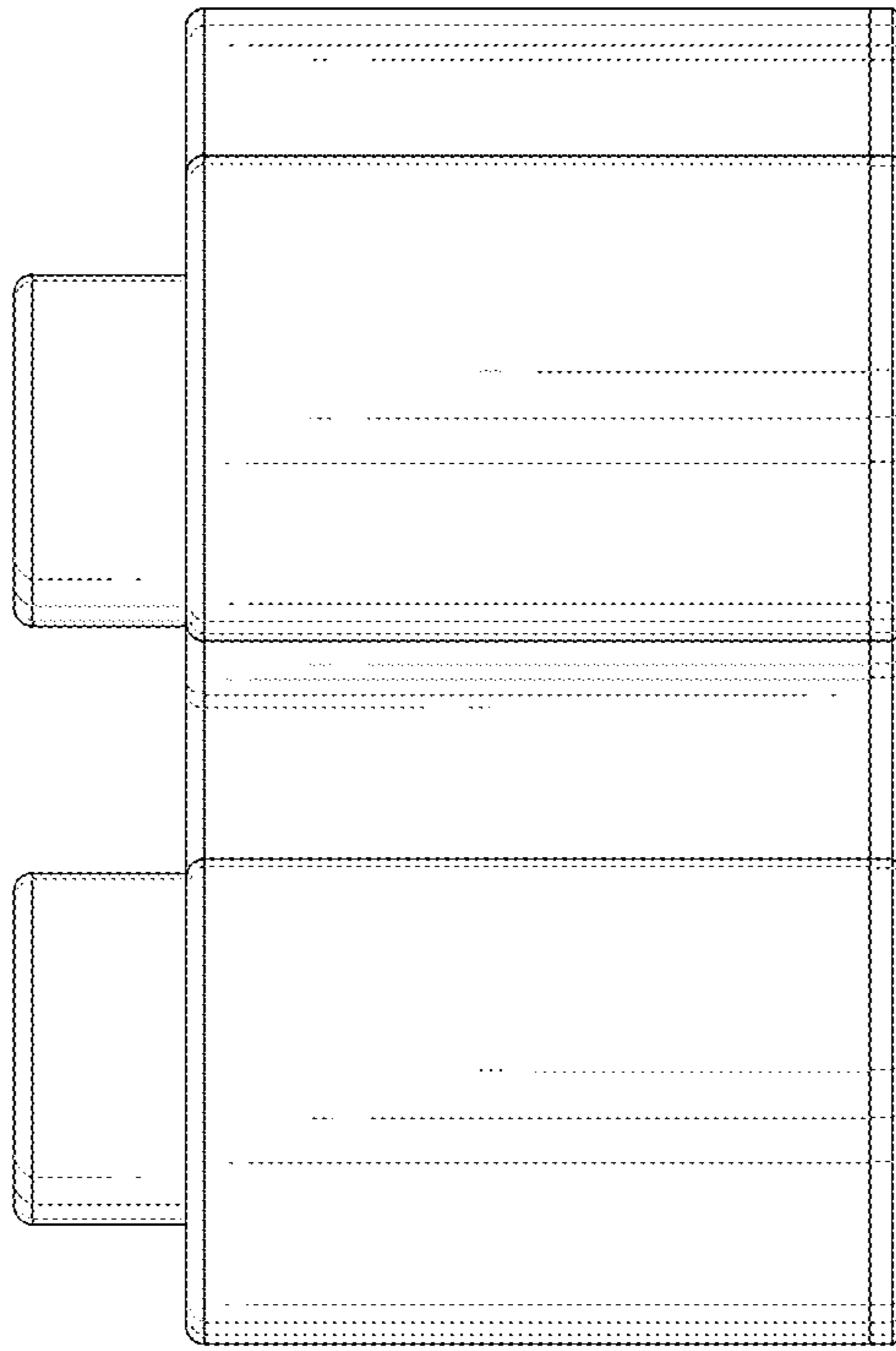


Fig. 6

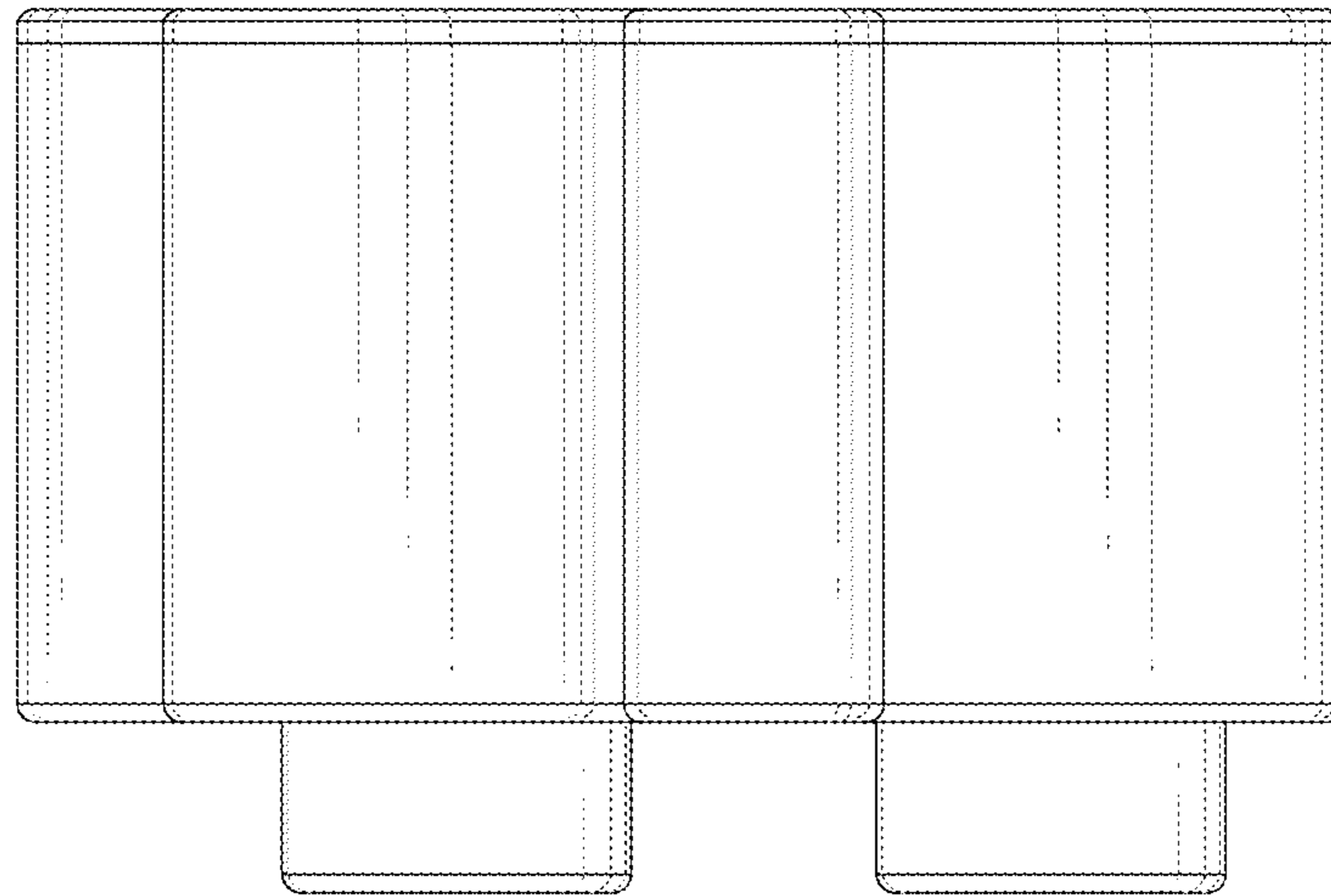


Fig. 7

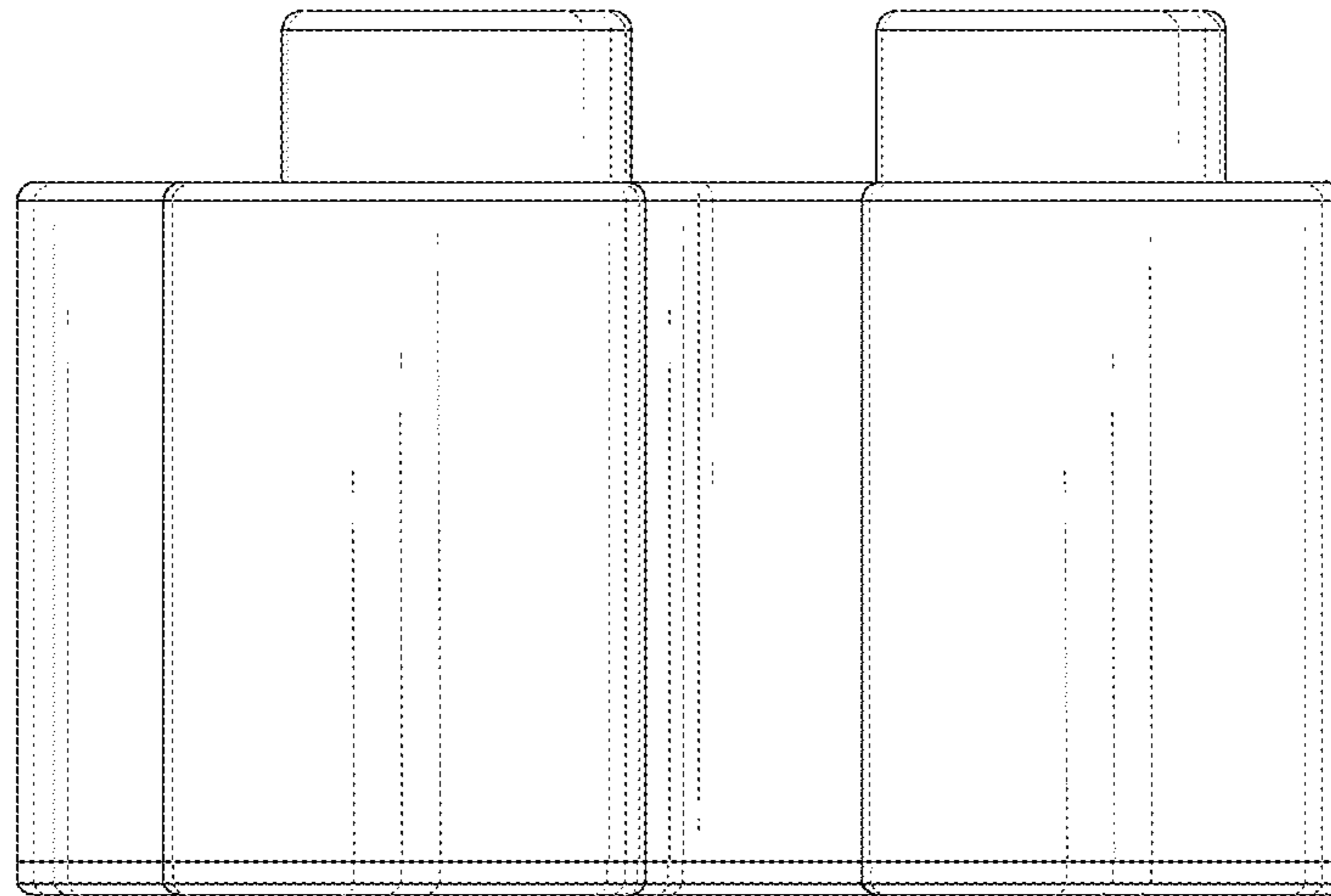


Fig. 8

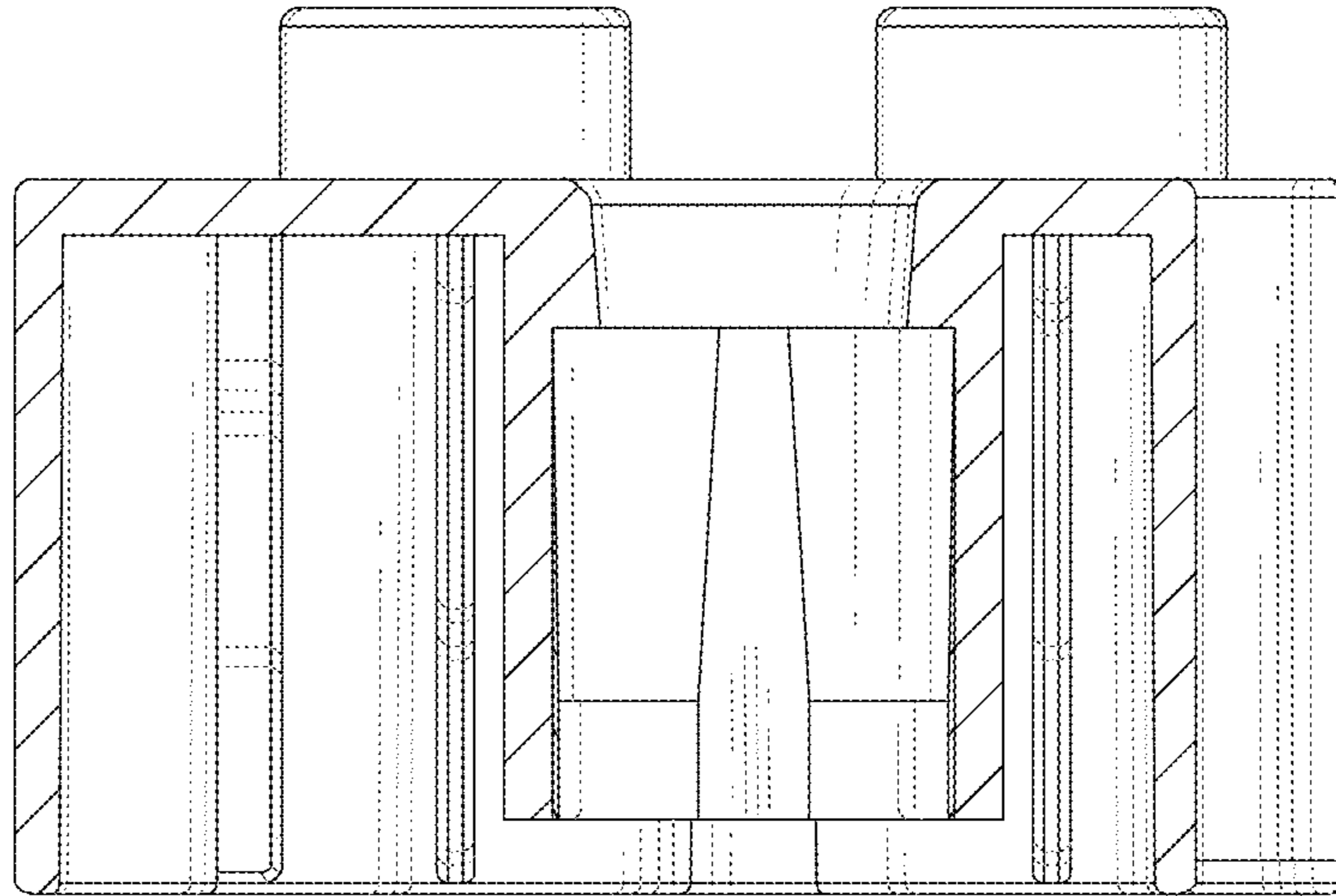


Fig.9