



US00D979662S

(12) **United States Design Patent**
Chen

(10) **Patent No.:** **US D979,662 S**

(45) **Date of Patent:** **** Feb. 28, 2023**

(54) **CONSTRUCTION TOY**

(71) Applicant: **Yingfan Chen**, Guangzhou (CN)

(72) Inventor: **Yingfan Chen**, Guangzhou (CN)

(**) Term: **15 Years**

(21) Appl. No.: **29/769,817**

(22) Filed: **Feb. 8, 2021**

(51) **LOC (14) Cl.** **21-01**

(52) **U.S. Cl.**
USPC **D21/500**

(58) **Field of Classification Search**

USPC D21/484–505

CPC A63H 33/04; A63H 33/06; A63H 33/062;

A63H 33/08; A63H 33/082; A63H

33/084; A63H 33/086; A63H 33/088

See application file for complete search history.

(56) **References Cited**

U.S. PATENT DOCUMENTS

D435,609 S * 12/2000 Sorensen D21/900
6,447,360 B1 * 9/2002 Sorensen A63H 33/062
446/124

D465,246 S * 11/2002 Sorensen D21/499

D470,196 S * 2/2003 Sorensen D21/499

D545,920 S * 7/2007 Sorensen D21/484

D545,921 S * 7/2007 Sorensen D21/484

D546,901 S * 7/2007 Sorensen D21/484

D621,883 S * 8/2010 Jou D21/814

D699,792 S * 2/2014 Hwang D21/499

D802,058 S * 11/2017 Ishaque D21/501

D828,458 S * 9/2018 Dumphy D21/500

D832,937 S * 11/2018 Dumphy D21/500

D843,493 S * 3/2019 Dumphy D21/499

D859,539 S * 9/2019 Dumphy D21/500

10,456,702 B2 * 10/2019 Dumphy A63H 33/08

* cited by examiner

Primary Examiner — Cynthia M. Chin

(74) *Attorney, Agent, or Firm* — Kintner IP, LLC; Mary Frances Ludwig

(57) **CLAIM**

The ornamental design for a construction toy, as shown and described.

DESCRIPTION

FIG. 1 is a front left perspective view of the construction toy, illustrating the front, left and bottom sides thereof;

FIG. 2 is rear perspective view illustrating the rear, left and top sides thereof;

FIG. 3 is a front elevation view thereof;

FIG. 4 is a rear elevation view thereof;

FIG. 5 is a left plan view thereof;

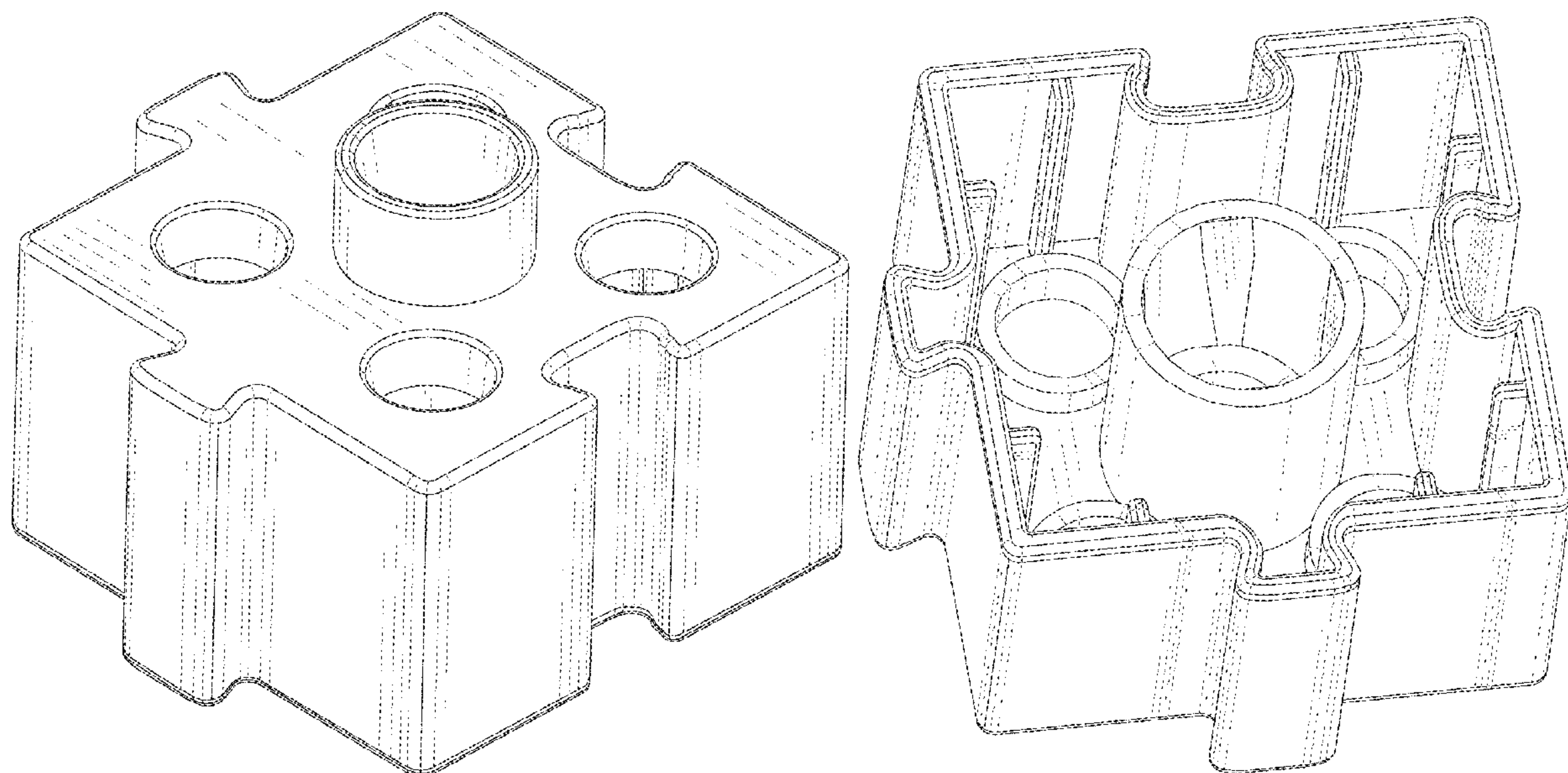
FIG. 6 is a right plan view thereof;

FIG. 7 is a top plan view thereof;

FIG. 8 is a bottom plan view; and,

FIG. 9 is a sectional view taken in the direction of line 9-9 in FIG. 3.

1 Claim, 9 Drawing Sheets



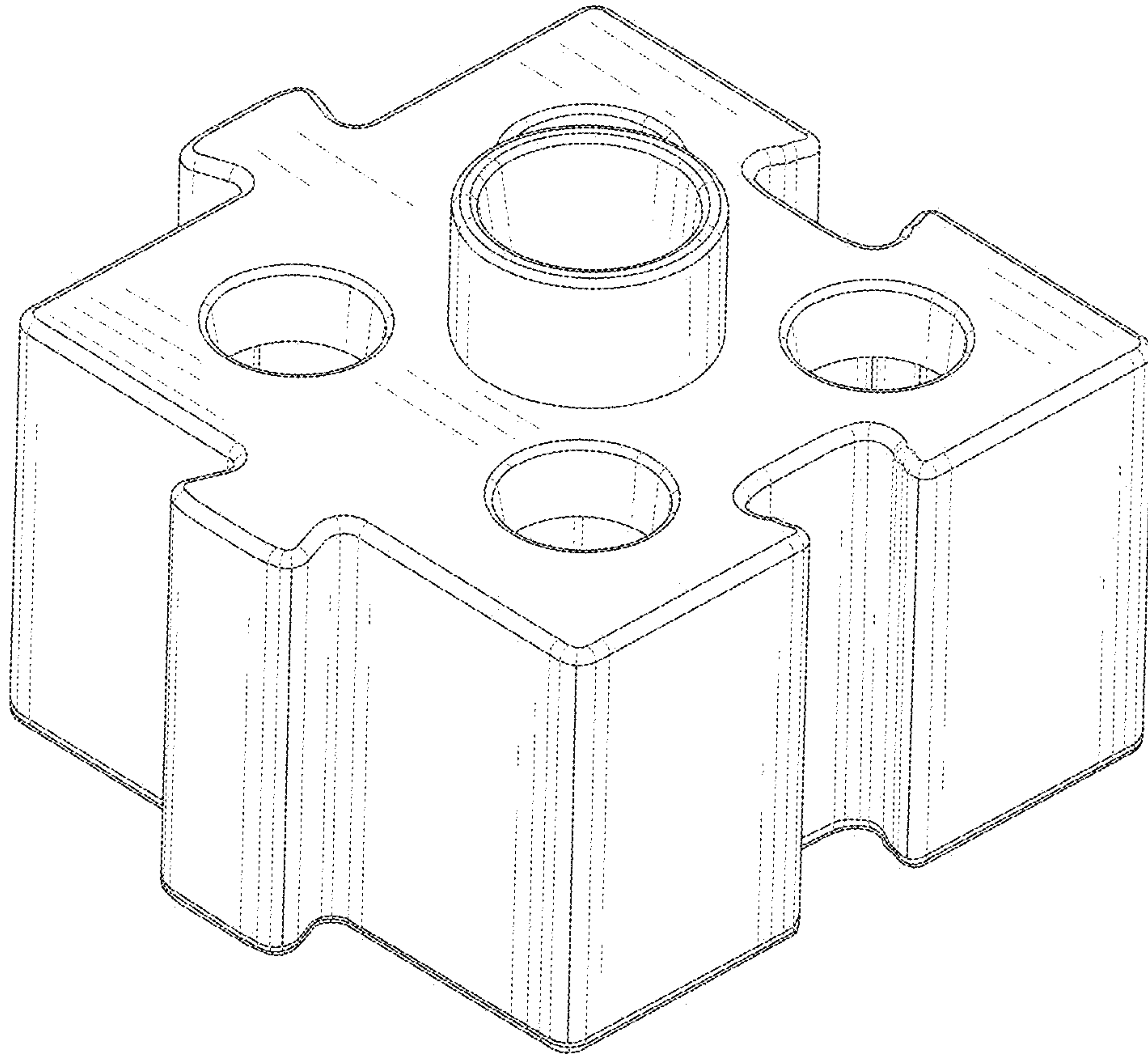


Fig. 1

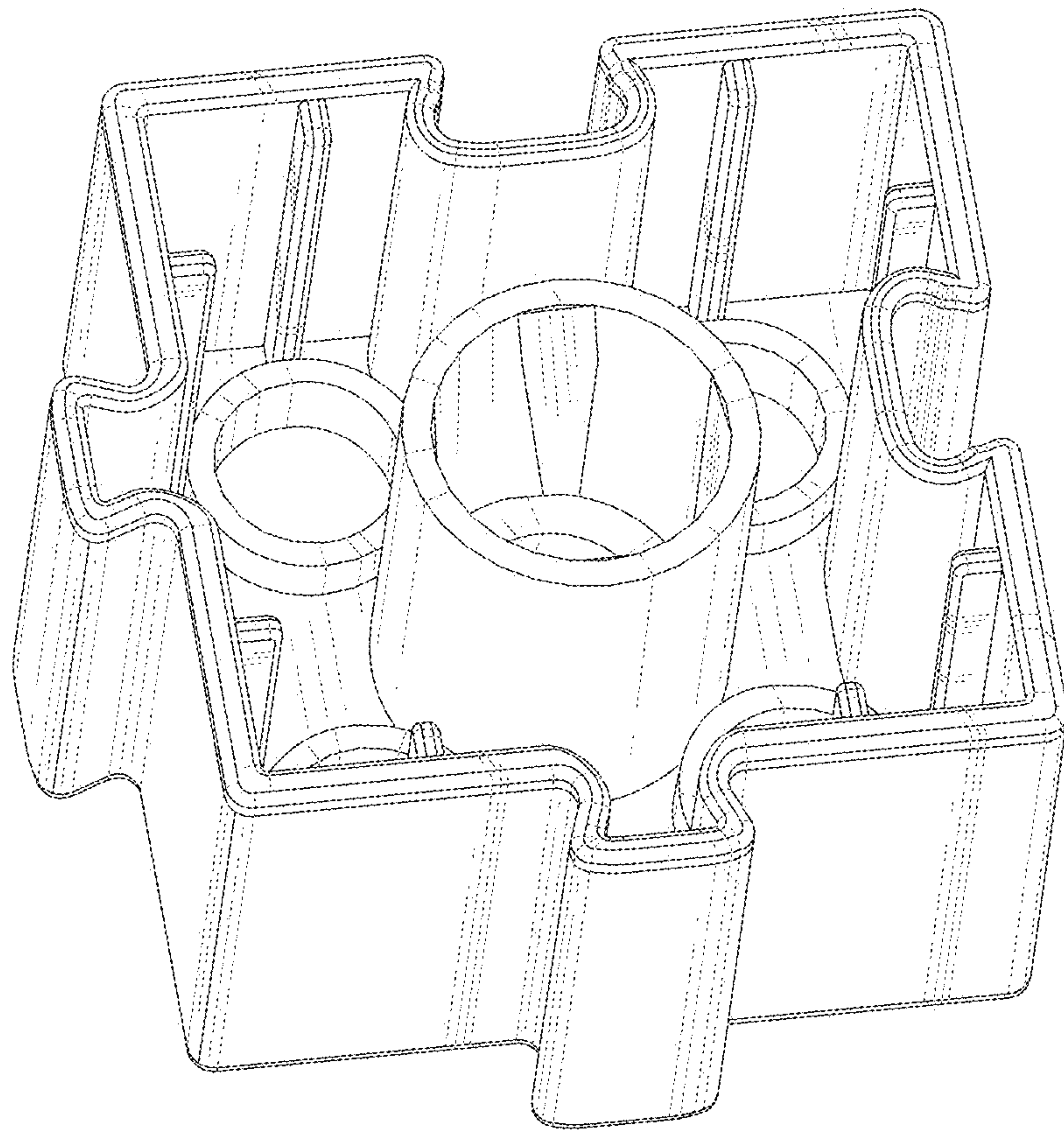


Fig.2

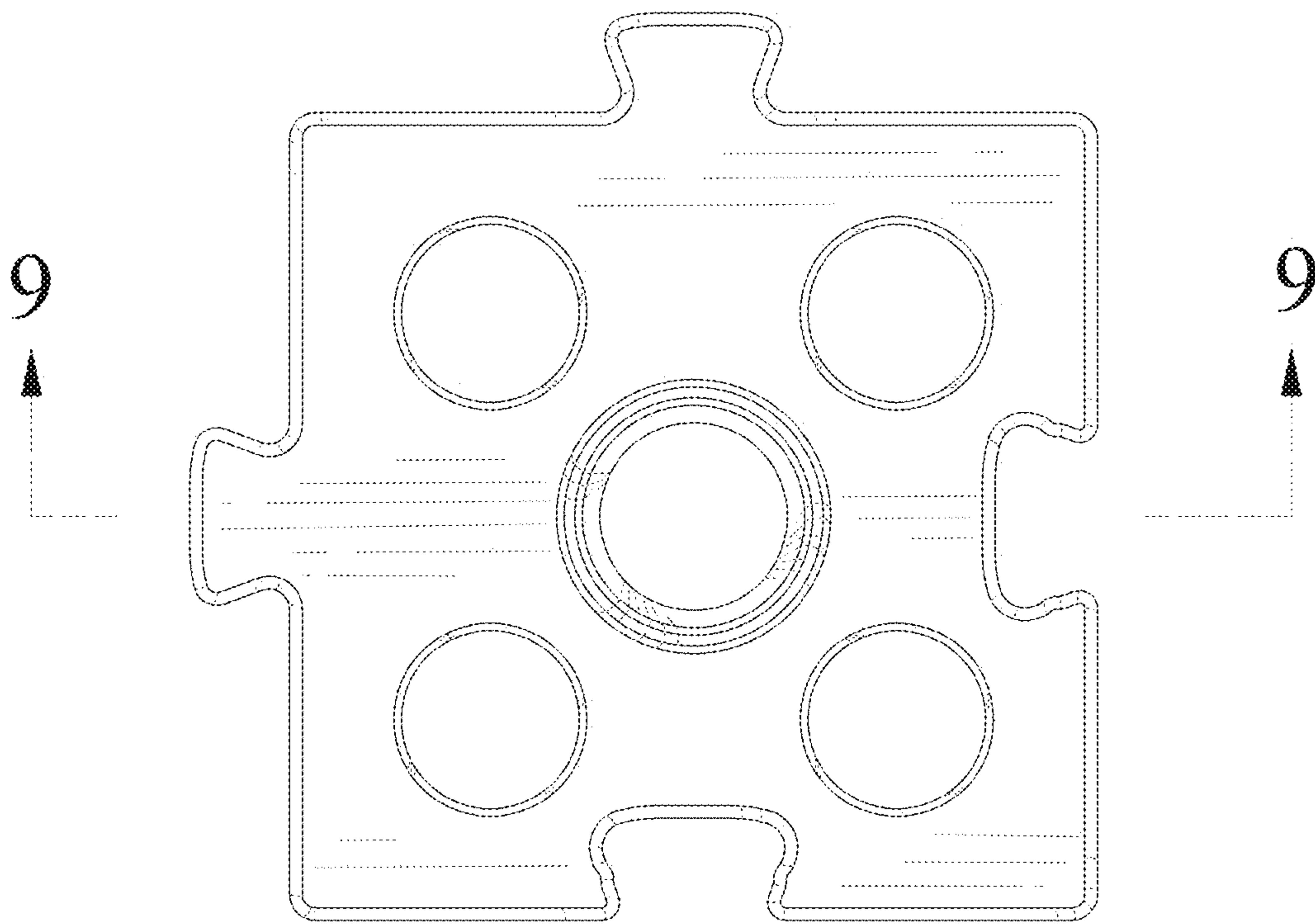


Fig. 3

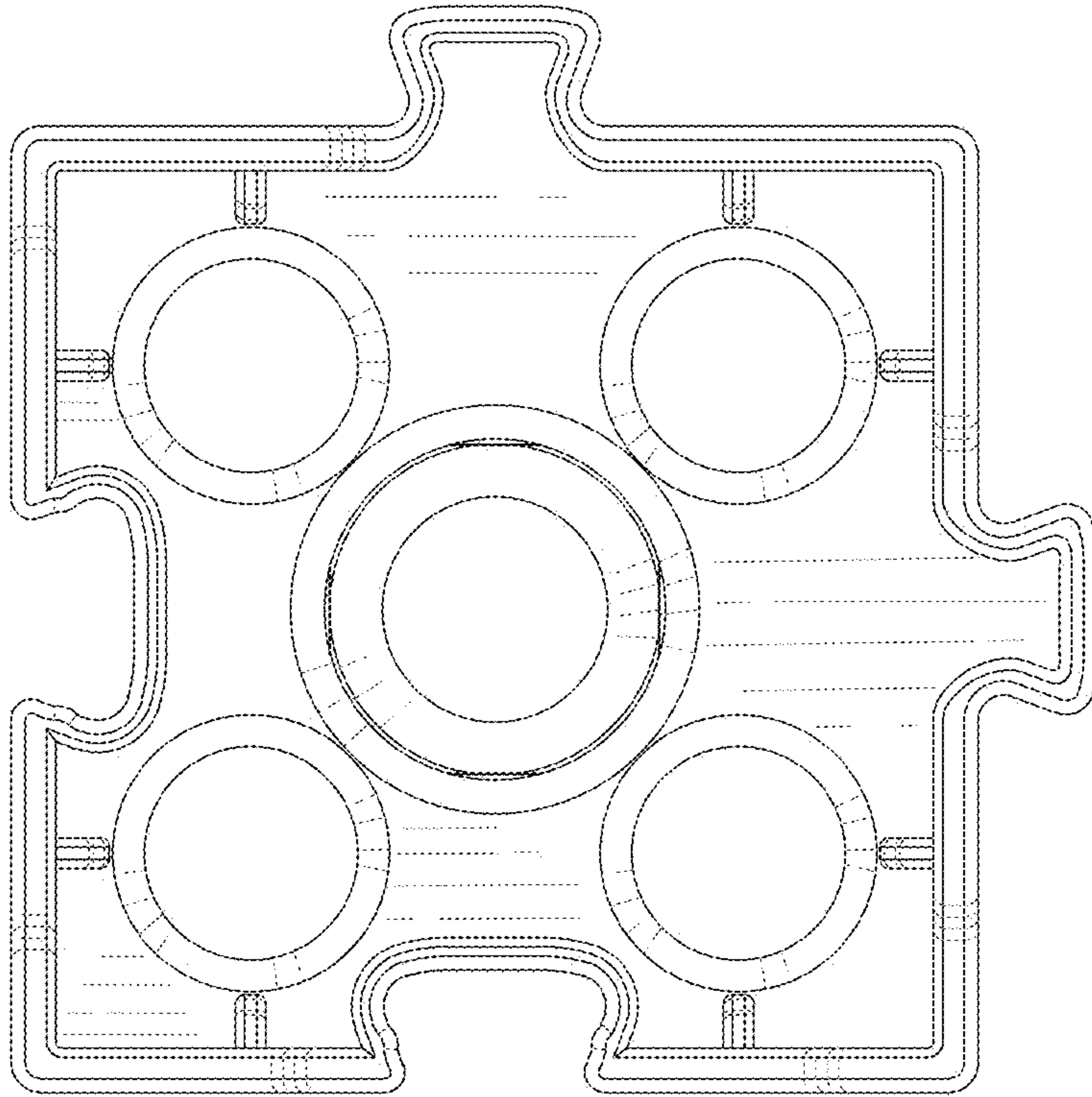


Fig. 4

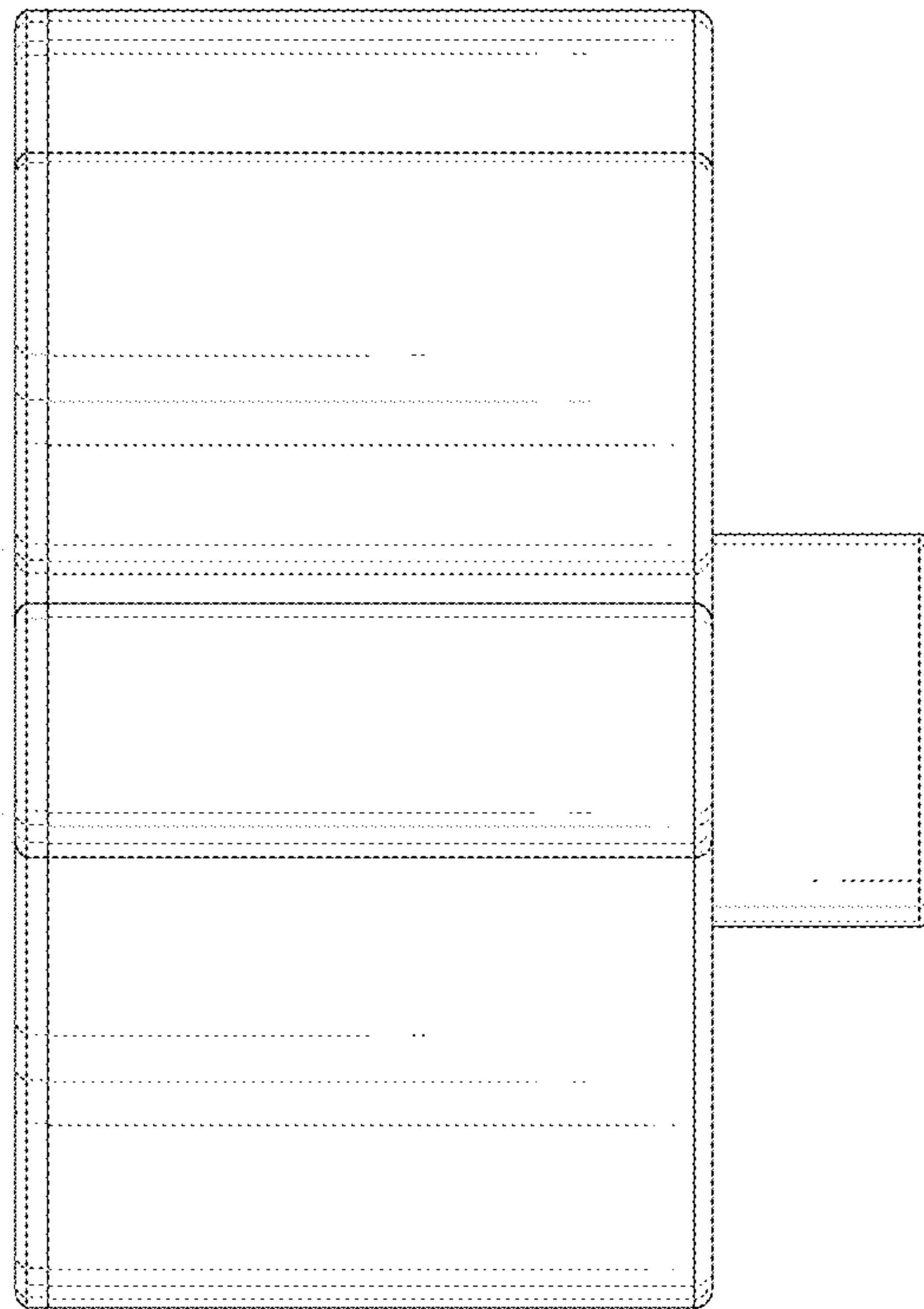


Fig. 5

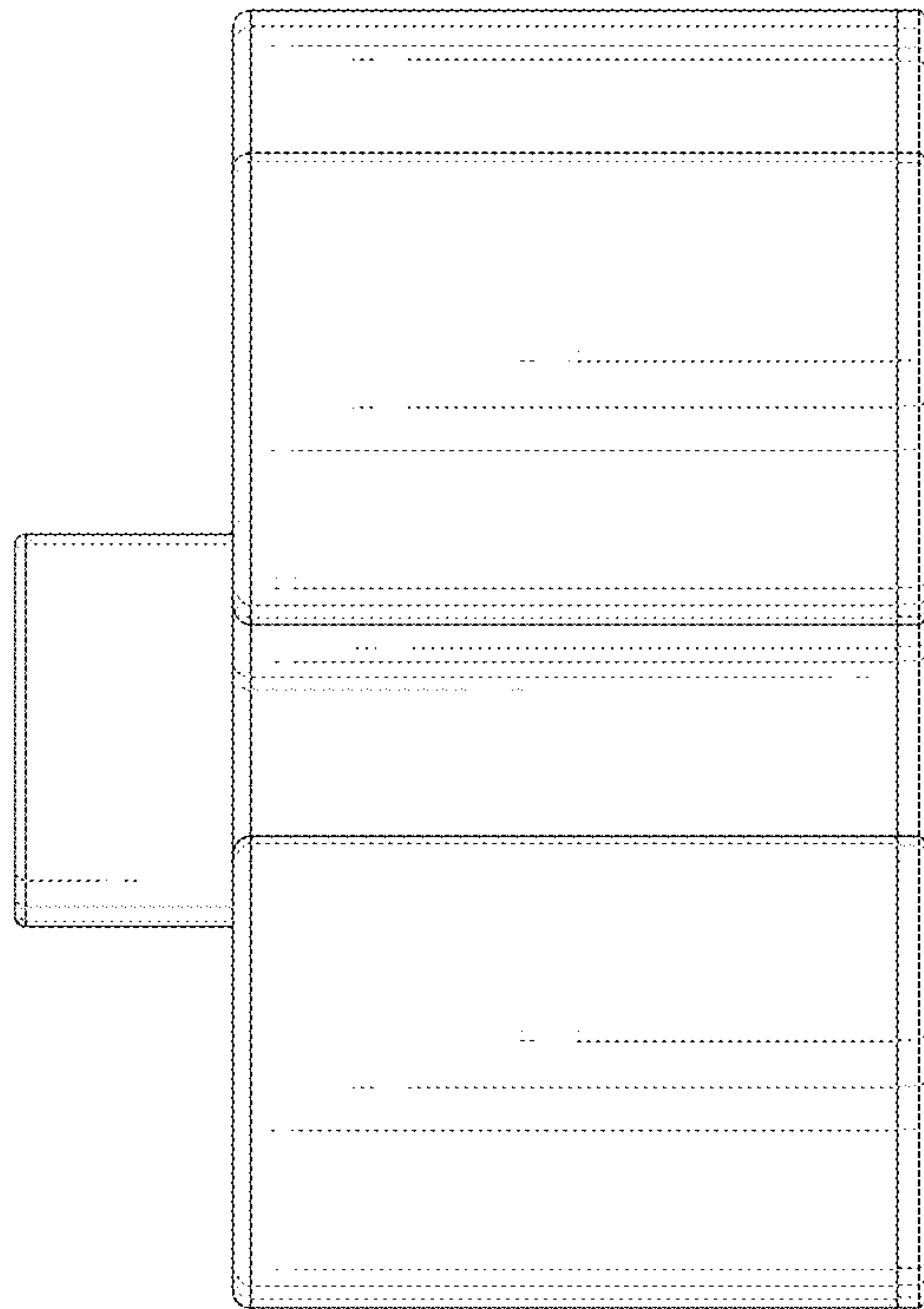


Fig. 6

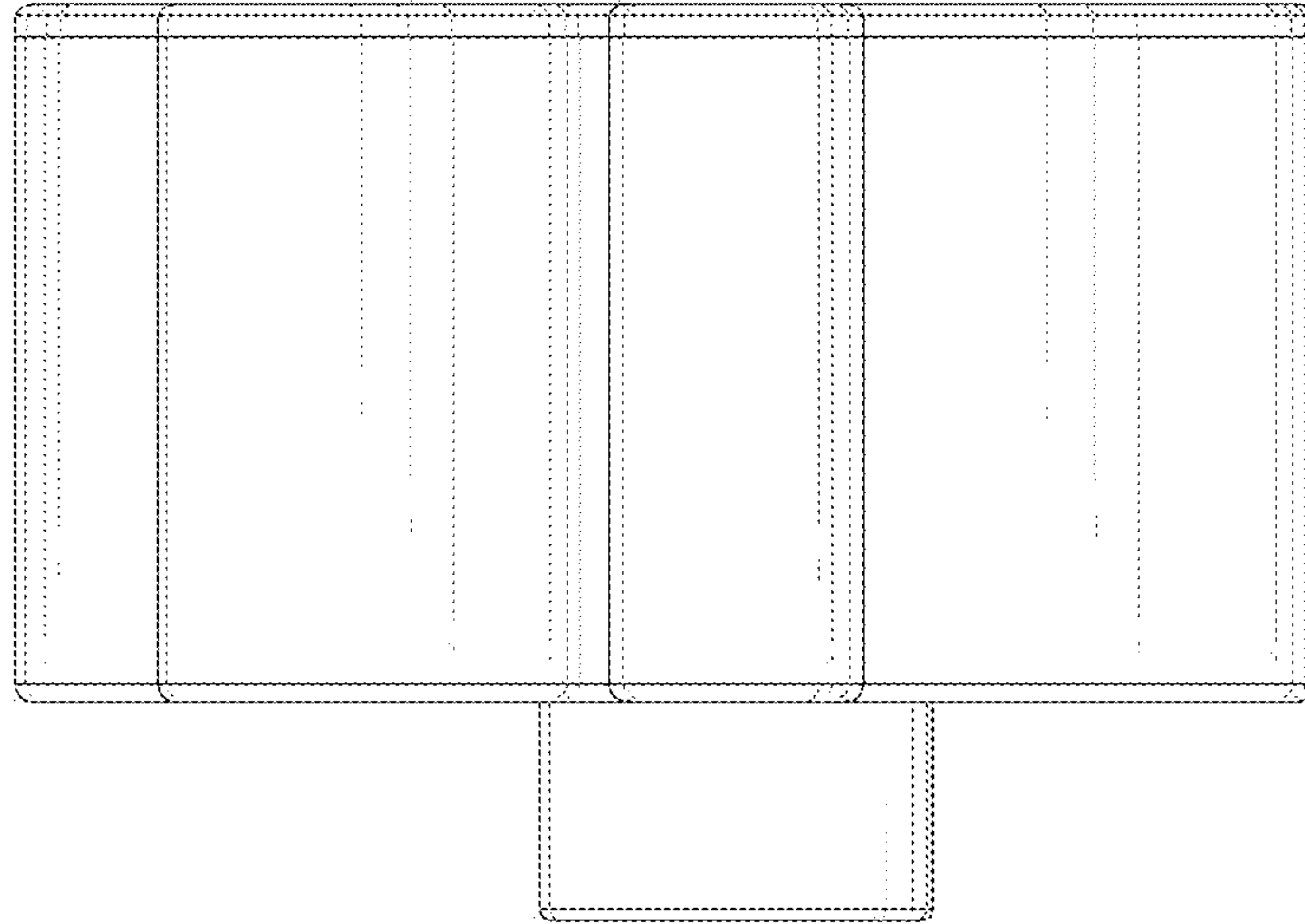


Fig. 7

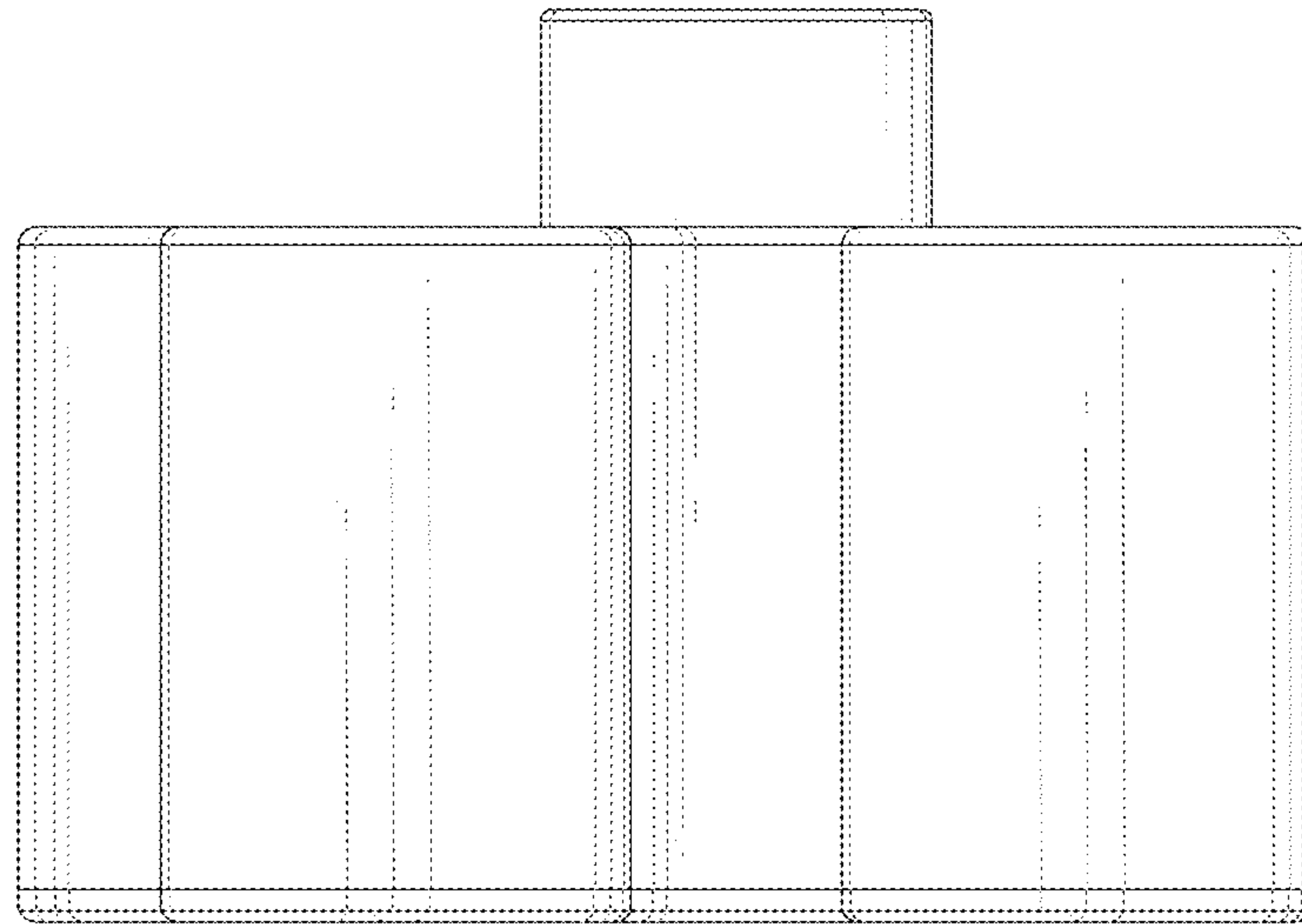


Fig. 8

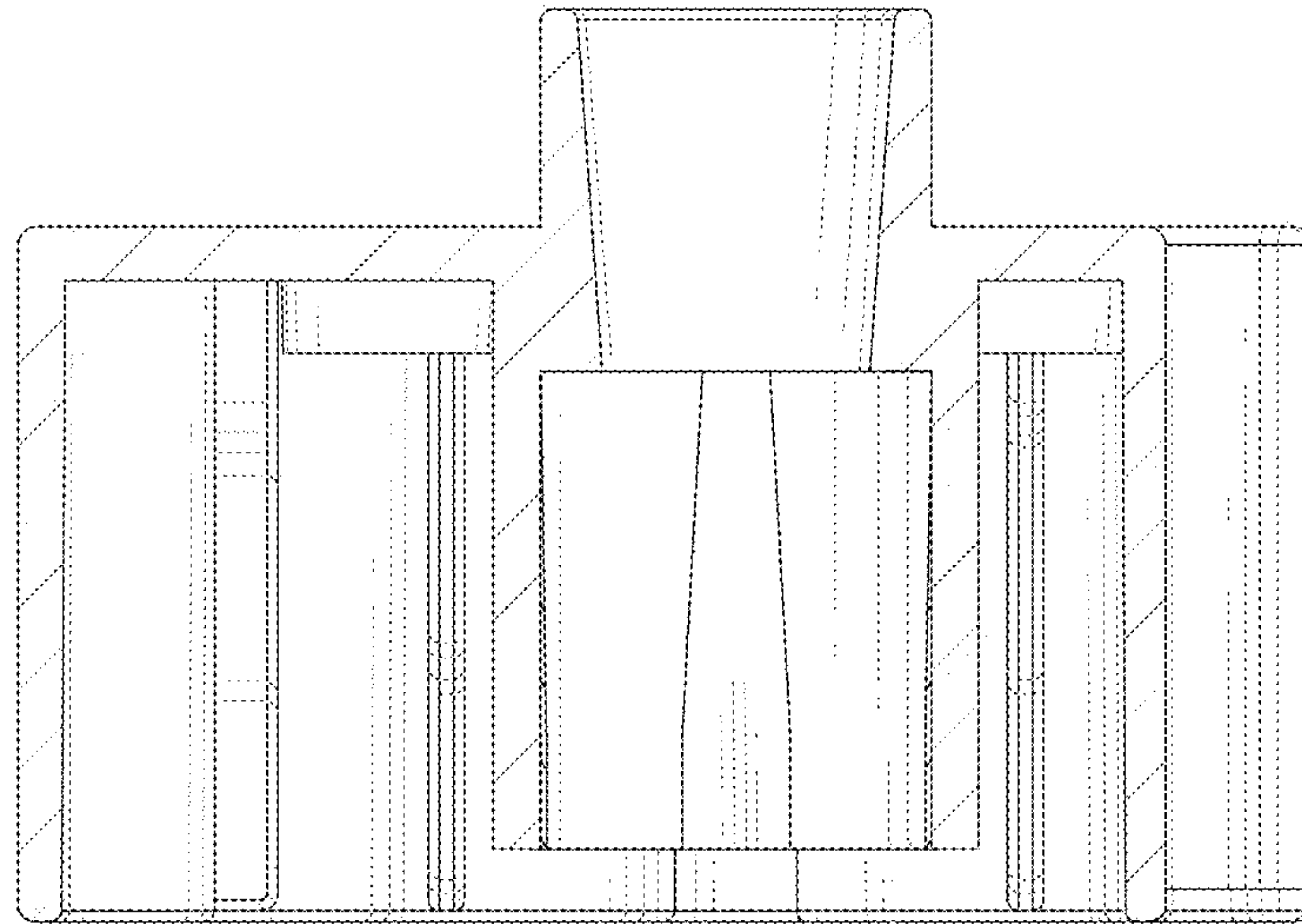


Fig. 9