



US00D979661S

(12) **United States Design Patent**
Lan

(10) **Patent No.:** **US D979,661 S**
(45) **Date of Patent:** **** Feb. 28, 2023**

(54) **LEARNING TOY**

(71) Applicant: **Wenqing Lan**, Fujian Province (CN)

(72) Inventor: **Wenqing Lan**, Fujian Province (CN)

(**) Term: **15 Years**

(21) Appl. No.: **29/851,104**

(22) Filed: **Aug. 25, 2022**

(51) **LOC (14) Cl.** **21-01**

(52) **U.S. Cl.**

USPC **D21/475**; D19/64

(58) **Field of Classification Search**

USPC D21/478, 398, 468, 392, 393, 396, 470,
D21/475, 490, 385; D19/64, 62;
D6/303, 310, 675.4

CPC A63F 9/08; A63F 11/00; A63F 9/0811;
A63F 9/0803; A63F 9/0826; A63F 9/083;
A63F 2003/0426; A63F 2003/00264;
A63F 2003/00287; A63F 2003/00293;
A63F 2003/00302; A63F 3/0423; A63F
3/00261; A63F 2009/0815

See application file for complete search history.

(56) **References Cited**

U.S. PATENT DOCUMENTS

1,584,513	A *	5/1926	Davis	G09B 1/24 273/143 R
2,091,555	A *	8/1937	Winifred	G09B 17/00 434/172
2,476,194	A *	7/1949	Hollowell	A63F 9/0811 40/503
D190,492	S *	6/1961	Pitt	D19/59
3,305,945	A *	2/1967	Crawford	A63F 3/0423 273/156
3,670,436	A *	6/1972	Weissman	G09D 3/04 40/107
4,033,051	A *	7/1977	Liu	G09B 3/06 434/327
D353,412	S *	12/1994	Bull	D21/392
5,813,861	A *	9/1998	Wood	G09B 17/006 434/167
D487,118	S	2/2004	Elias		

OTHER PUBLICATIONS

Coogam Color Blocks Spelling Games. Date First Available: Mar. 13, 2021. Retrieved from internet: <<https://www.amazon.ca/Coogam-Spelling-Rotating-Montessori-Preschool/dp/B08TQRS85J/>> [site visited Nov. 14, 2022] (Year: 2021).*

Wooden Reading Blocks Short Vowel Rods Spelling Games. Date First Available: Apr. 29, 2022. Retrieved from internet: <<https://www.amazon.com.au/JAQI-Spelling-Montessori-Educational-Preschool/dp/B09Z7Y67VF/>> [site visited Nov. 14, 2022] (Year: 2022).*

* cited by examiner

Primary Examiner — Katherine Glennon

Assistant Examiner — Yuan Yuan

(57) **CLAIM**

The ornamental design for a learning toy, as shown and described.

DESCRIPTION

FIG. 1 is a front and top perspective view of a learning toy, showing my new design;

FIG. 2 is a rear and bottom perspective view thereof;

FIG. 3 is a front elevation view thereof;

FIG. 4 is a rear elevation view thereof;

FIG. 5 is a left side elevation view thereof;

FIG. 6 is a right side elevation view thereof;

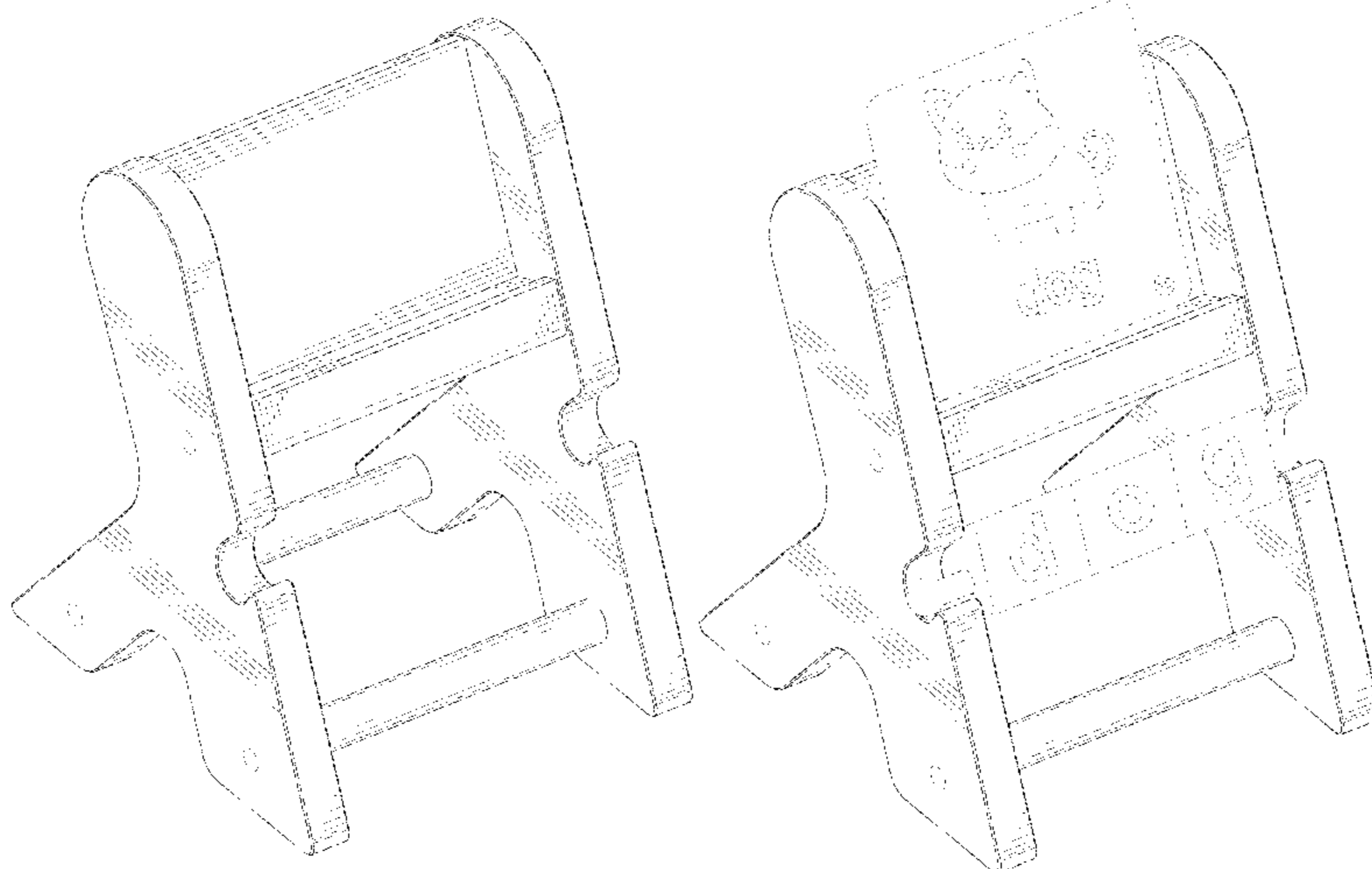
FIG. 7 is a top plan view thereof;

FIG. 8 is a bottom plan view thereof; and,

FIG. 9 is another perspective view thereof, shown in a using position.

The broken lines in the figures illustrate portions of the learning toy that form no part of the claimed design. The broken lines showing of a wooden reading block in FIG. 9 depict environmental structure that form no part of the claimed design.

1 Claim, 9 Drawing Sheets



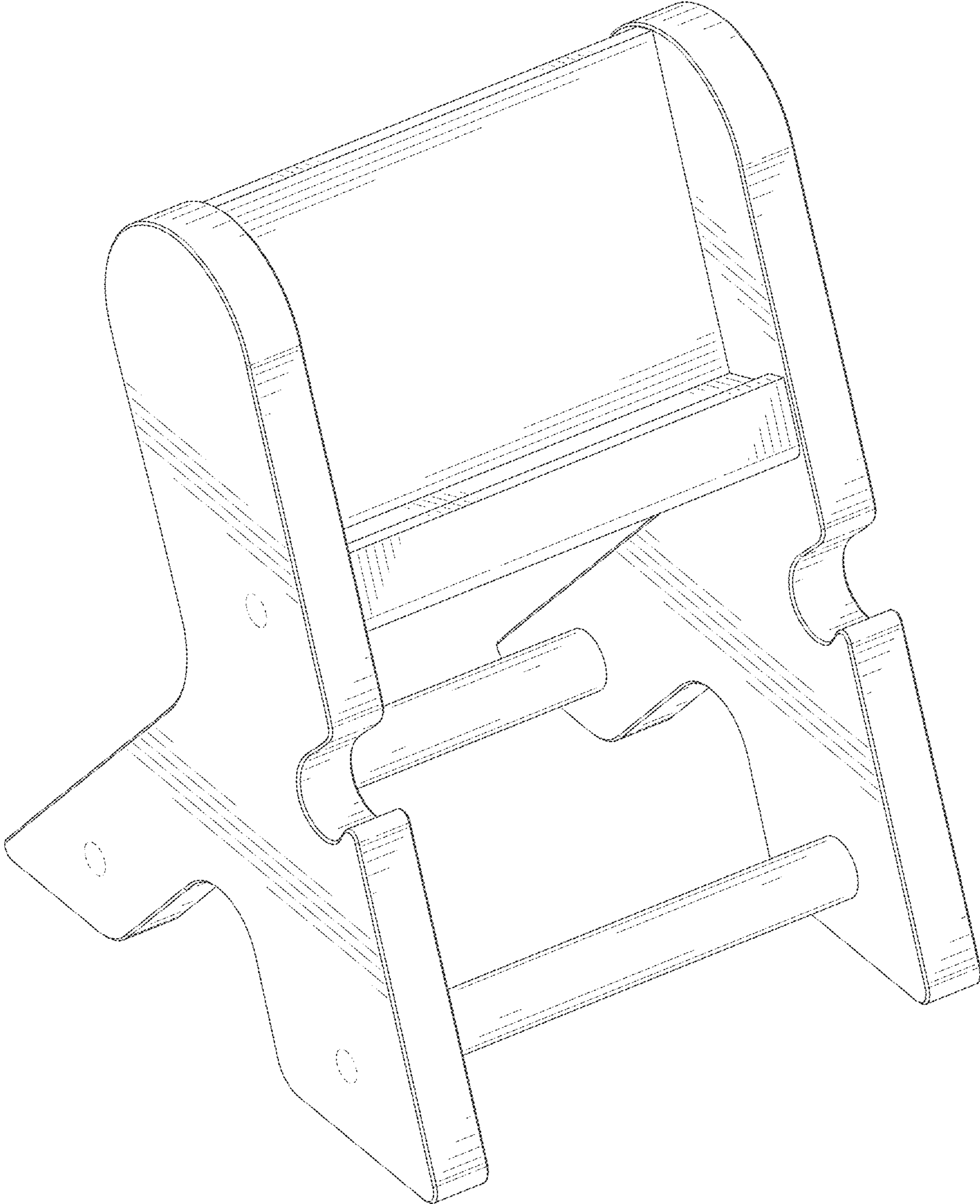


FIG. 1

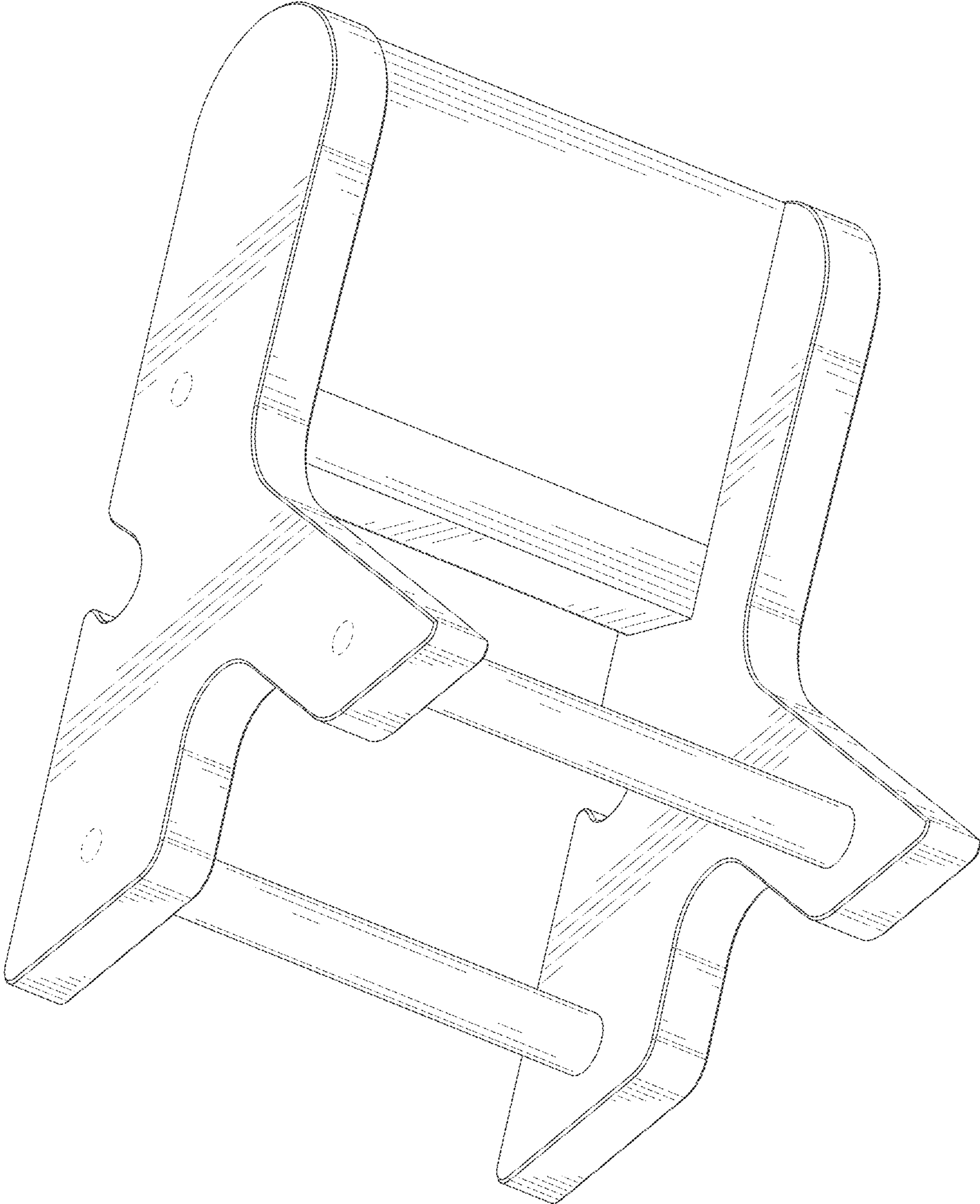


FIG. 2

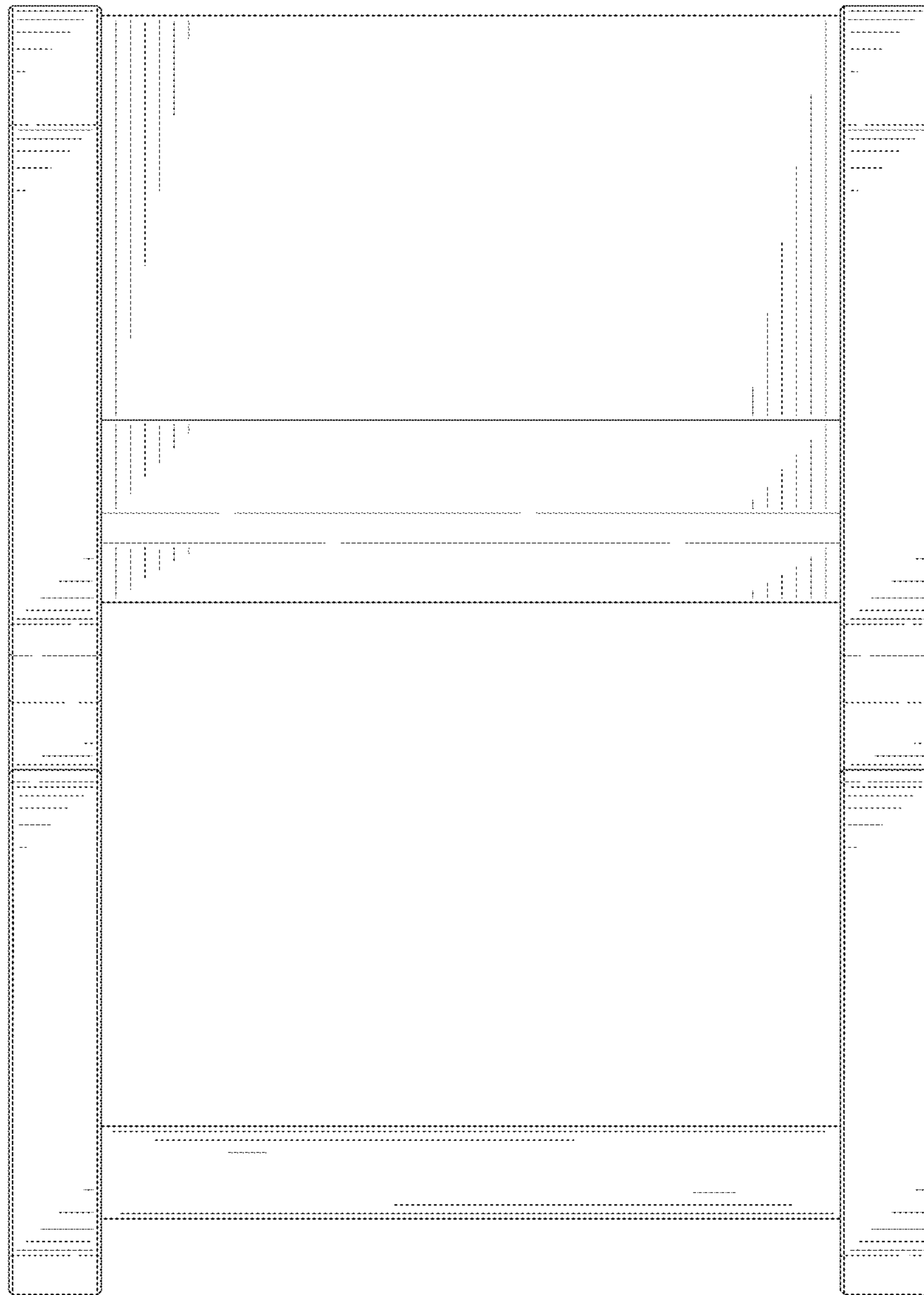


FIG. 3

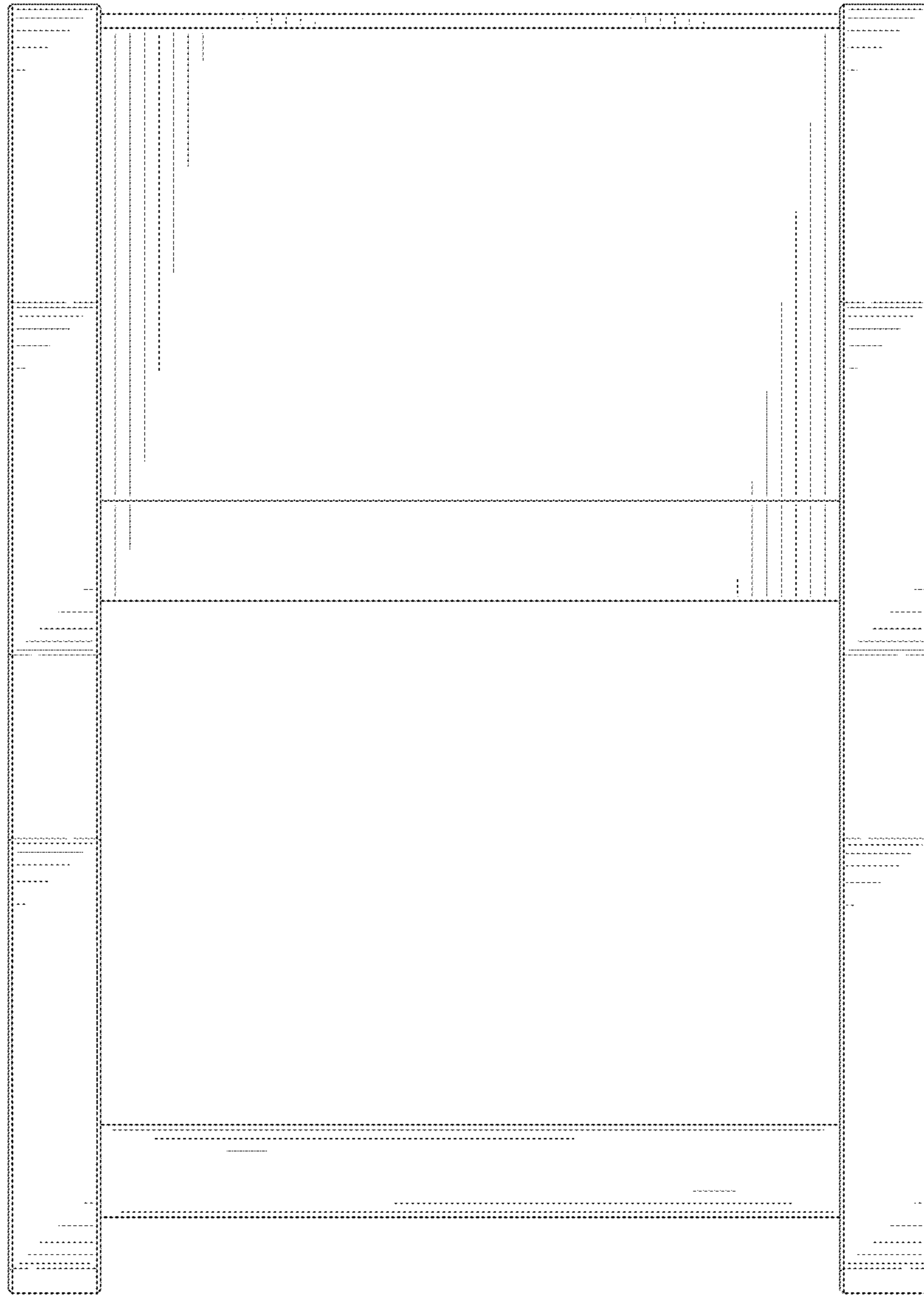


FIG. 4

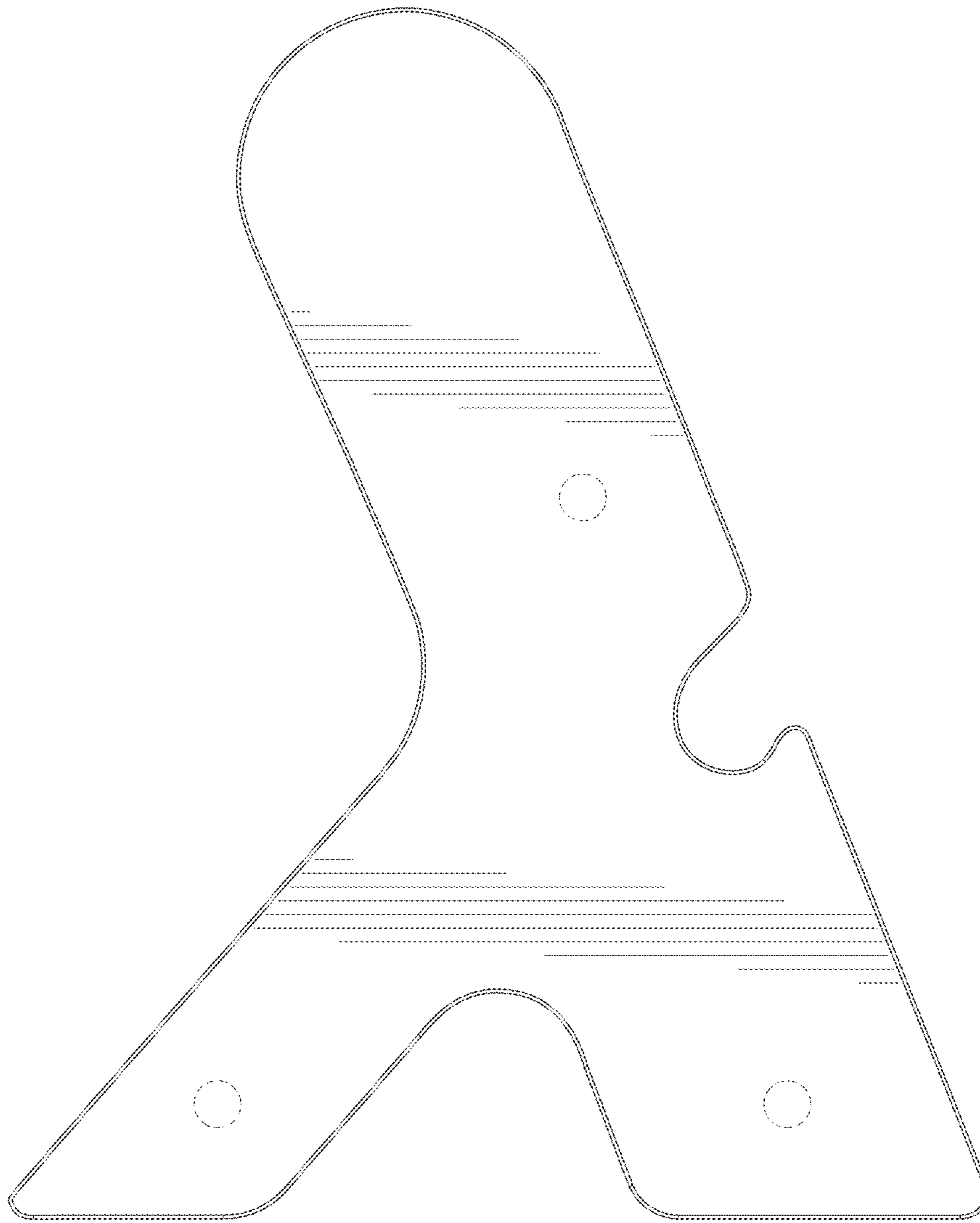


FIG. 5

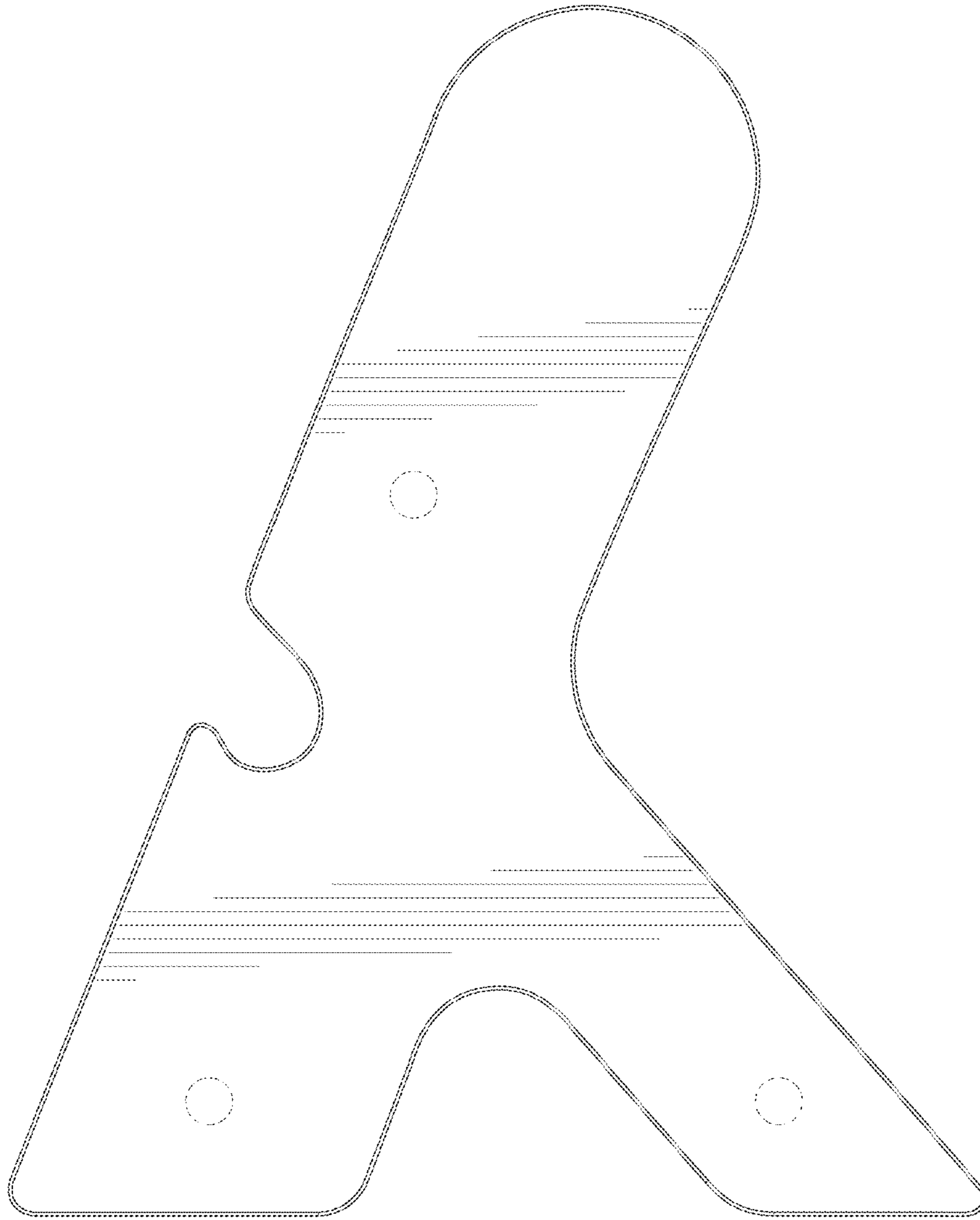


FIG. 6

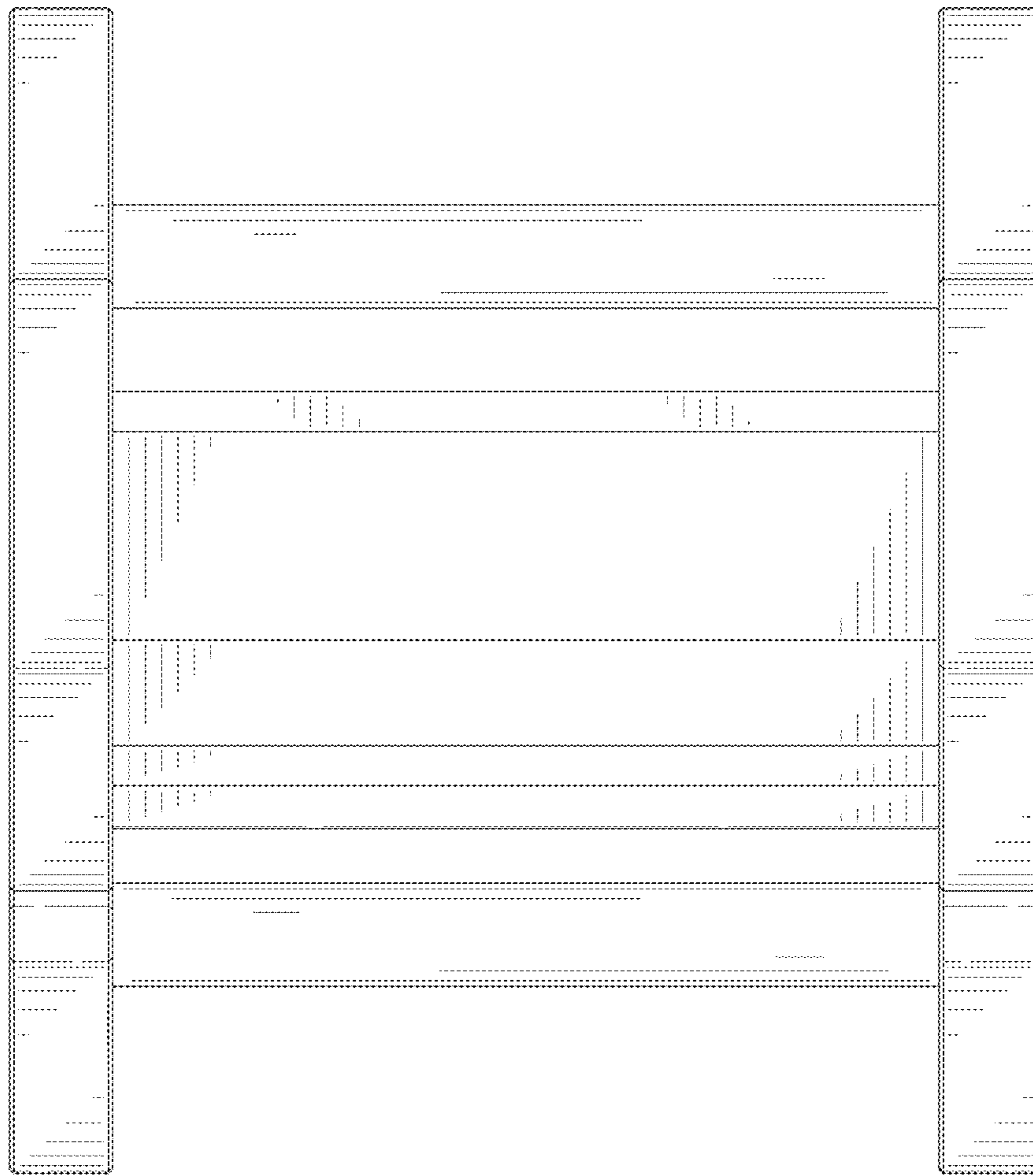


FIG. 7

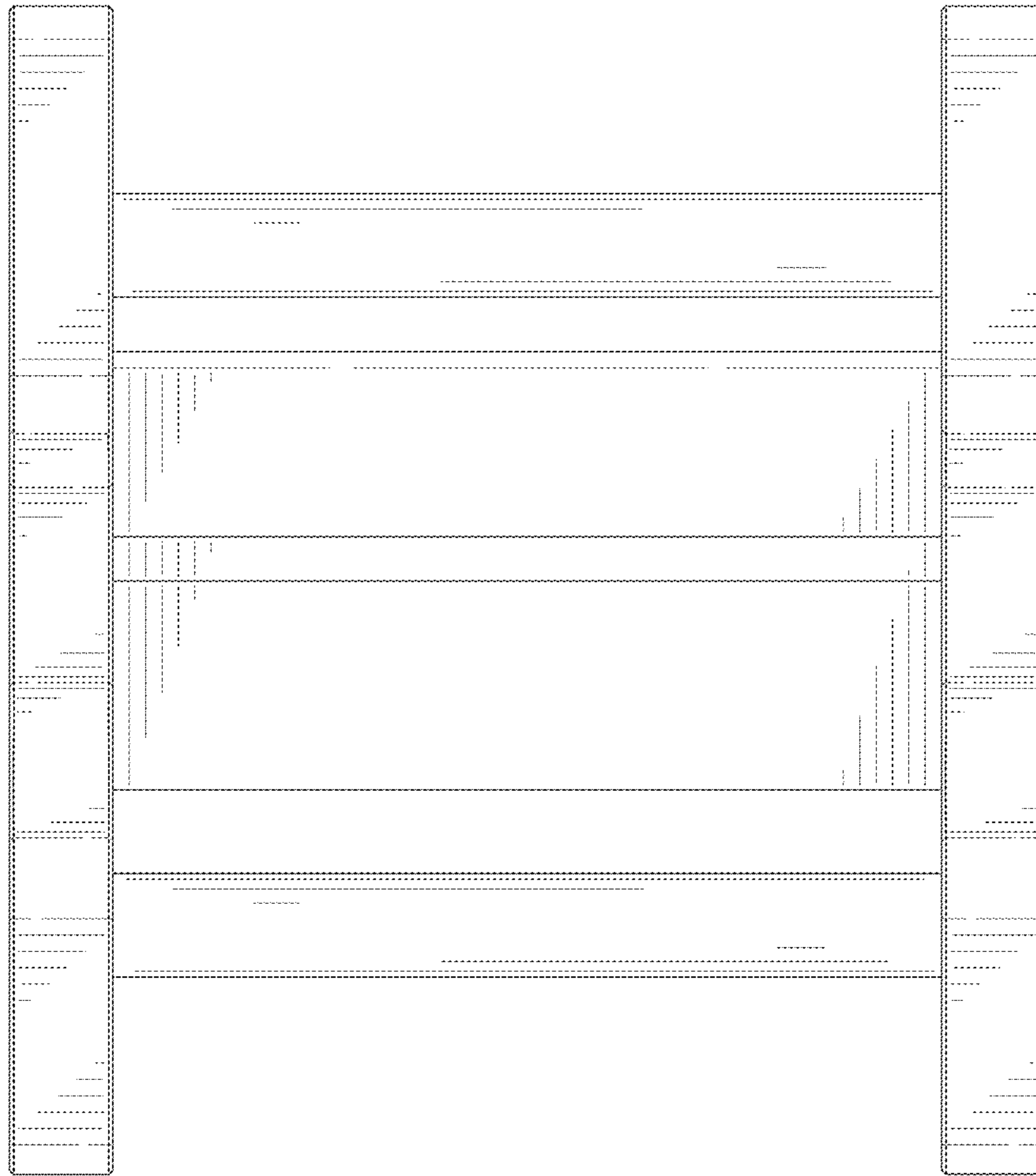


FIG. 8

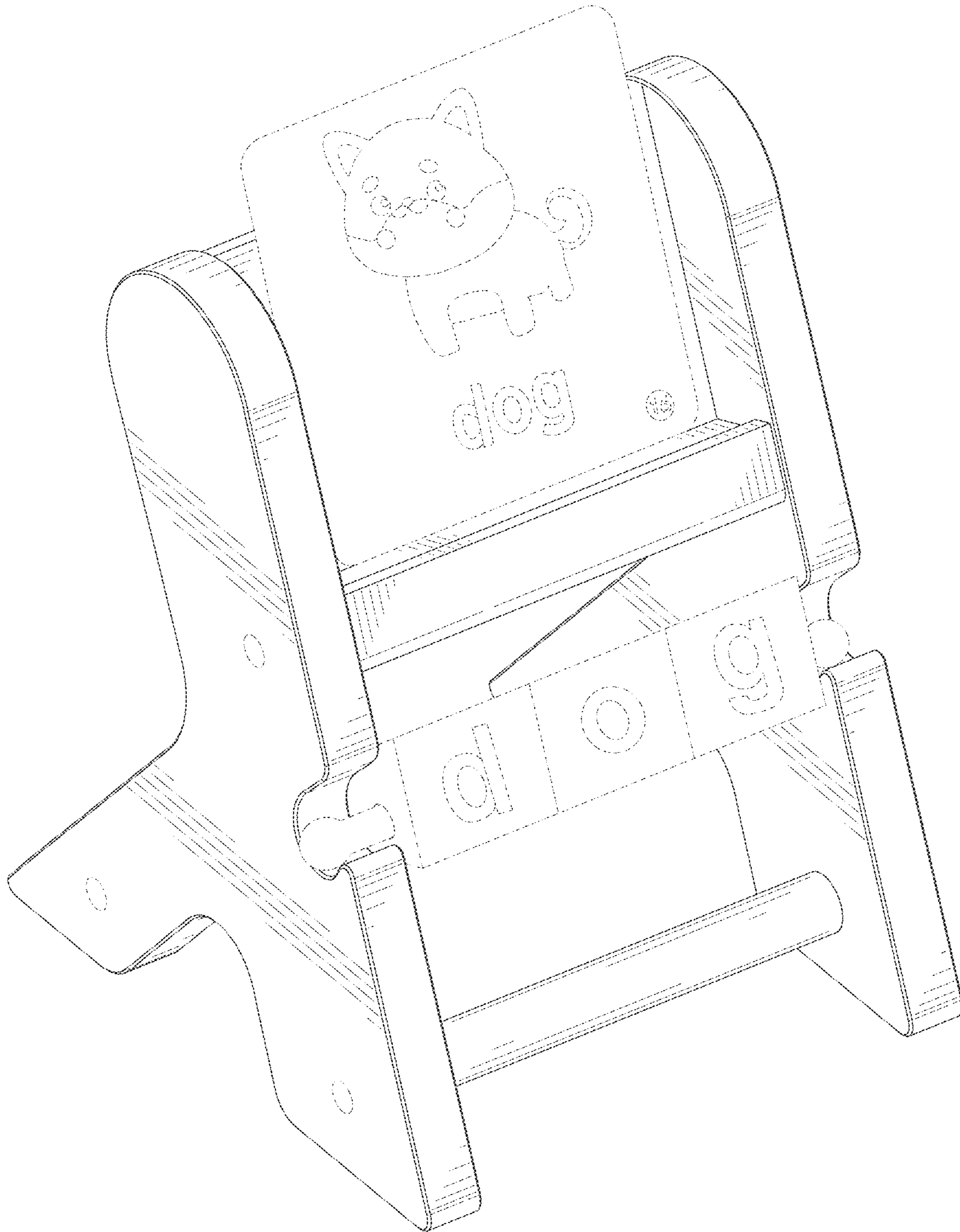


FIG. 9