



US00D979659S

(12) **United States Design Patent**
Mizunuma

(10) **Patent No.:** **US D979,659 S**

(45) **Date of Patent:** **** Feb. 28, 2023**

(54) **PUZZLE TOY**

(71) Applicant: **TOMY COMPANY, LTD.**, Tokyo (JP)

(72) Inventor: **Masanori Mizunuma**, Tokyo (JP)

(73) Assignee: **TOMY COMPANY, LTD.**, Tokyo (JP)

(**) Term: **15 Years**

(21) Appl. No.: **29/737,753**

(22) Filed: **Jun. 11, 2020**

(30) **Foreign Application Priority Data**

Dec. 11, 2019 (JP) 2019-027496

(51) **LOC (14) Cl.** **21-01**

(52) **U.S. Cl.**

USPC **D21/456**; D21/468

(58) **Field of Classification Search**

USPC D21/398, 456, 459, 467, 468, 470, 475,
D21/478, 479, 480, 492, 564, 565

CPC ... A63H 33/00; A63F 9/06; A63F 9/08; A63F
9/0826; A63F 2007/0035; A63F 7/02;
A63F 7/025; A63F 7/0023; A63F 7/3622;
G09B 1/00; G09B 1/02; G09B 1/06

See application file for complete search history.

(56) **References Cited**

U.S. PATENT DOCUMENTS

D183,649 S *	10/1958	Gaston	D21/564
3,073,600 A *	1/1963	Stieber	A63F 7/025
				273/123 R
4,148,486 A *	4/1979	Tepper	A63F 7/02
				273/129 R
4,159,593 A *	7/1979	Miller	A63F 7/02
				273/456
4,183,535 A *	1/1980	Goldfarb	A63F 7/3622
				273/120 R
4,236,718 A *	12/1980	Kaga	A63F 9/143
				273/443
4,239,222 A *	12/1980	Hori	A63F 7/305
				273/DIG. 26
4,269,413 A *	5/1981	Langieri	A63F 7/26
				273/DIG. 26
4,273,341 A *	6/1981	Warrix	A63F 7/025
				273/357

(Continued)

FOREIGN PATENT DOCUMENTS

GB 2025563 * 2/1993

OTHER PUBLICATIONS

Tomy Screwball Scramble Level 2, available on Youtube.com, date posted Jun. 25, 2020, [site visited Nov. 1, 2022], URL: <https://www.youtube.com/watch?v=sX4O0TNLzEY> (Year: 2020).*

(Continued)

Primary Examiner — Dana K Weiland
Assistant Examiner — Emily Anna Saunders
(74) *Attorney, Agent, or Firm* — Oliff PLC

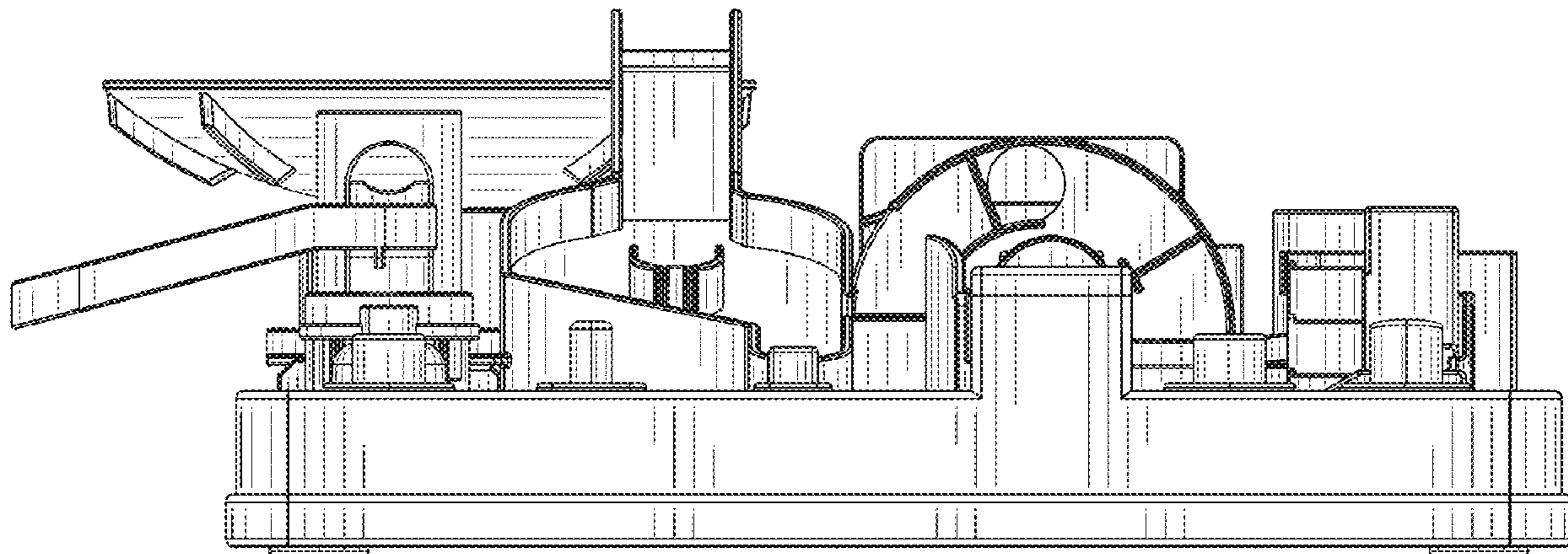
(57) **CLAIM**

The ornamental design for a puzzle toy, as shown and described.

DESCRIPTION

FIG. 1 is a front elevational view of the puzzle toy, showing the new design;
FIG. 2 is a rear elevational view thereof;
FIG. 3 is a left-side elevational view thereof;
FIG. 4 is a right-side elevational view thereof;
FIG. 5 is a top plan view thereof;
FIG. 6 is a bottom plan view thereof;
FIG. 7 is a front, right-side, top perspective view thereof;
FIG. 8 is a rear, left side, top perspective view thereof;
FIG. 9 is a front, left-side, top perspective view thereof; and,
FIG. 10 is a rear, right-side, top perspective view thereof.
The broken lines depict parts of the puzzle toy that form no part of the claimed design.

1 Claim, 10 Drawing Sheets



(56)

References Cited

U.S. PATENT DOCUMENTS

4,278,253	A *	7/1981	Hirose	A63F 7/305 273/127 R
D260,820	S *	9/1981	Kato	D21/323
D265,747	S *	8/1982	Takahashi	D21/311
4,382,597	A *	5/1983	Minami	A63F 7/066 273/457
4,662,846	A *	5/1987	Quercetti	A63F 7/025 434/96
4,795,394	A *	1/1989	Thompson	A63F 7/3622 446/168
5,088,736	A *	2/1992	Chuang	A63F 7/027 273/120 R
5,149,095	A *	9/1992	Kashimoto	A63F 7/022 273/121 A
5,314,367	A *	5/1994	Schaefer	A63F 7/041 273/108
9,072,962	B1 *	7/2015	Grist	A63F 7/2481
D791,244	S *	7/2017	Sabin	D21/478
D791,879	S *	7/2017	Sabin	D21/478
2007/0021201	A1 *	1/2007	Matsumoto	A63F 7/02 463/30

OTHER PUBLICATIONS

Tomy Games Screwball Scramble 2, available on Youtube.com, date posted Oct. 13, 2021, [site visited Nov. 1, 2022], URL: <https://www.youtube.com/watch?v=SaGv8HGibbY> (Year: 2021).*

Screwball Scramble, available on us.tomy.com, Wayback Machine date Oct. 6, 2022, [site visited Nov. 1, 2022], URL: <https://web.archive.org/web/20221006172324/https://us.tomy.com/screwball-scramble-2/> (Year: 2022).*

Tilt Maze Game, available on Amazon.com, oldest customer review Mar. 1, 2018, [site visited Nov. 1, 2022], URL: <https://www.amazon.com/Tilt-Gamieac-Mazes-Tilting-Joystick/dp/B075F7Q5TX/> (Year: 2018).*

Perplexus, available on Amazon.com, release date Mar. 15, 2022, oldest customer review with photo Feb. 18, 2018, [site visited Nov. 1, 2022], URL: <https://www.amazon.com/Perplexus-Revolution-Runner-Motorized-Perpetual/dp/B07NFRB7PL/> (Year: 2018).*

Rokr 3D, available on Amazon.co.jp, date first available Feb. 19, 2019, oldest customer review with photo Mar. 18, 2019, [site visited Nov. 1, 2022], URL: <https://www.amazon.co.jp/-/en/dp/B07NQ8X65X/> (Year: 2019).*

Labyrinth Wooden Maze Game, available on Amazon.com, release date Jun. 8, 2016, oldest customer review with photo Jun. 23, 2020, [site visited Nov. 1, 2022], URL: <https://www.amazon.com/Labyrinth-Wooden-Marbles-Hey-Play/dp/B072QNFNN3/> (Year: 2016).*

Gambol Brutalist Marble Run, available on Etsy.com, date listed Oct. 23, 2022, oldest customer review Dec. 13, 2021, [site visited Nov. 1, 2022], URL: <https://www.etsy.com/listing/1117038742/> (Year: 2021).*

* cited by examiner

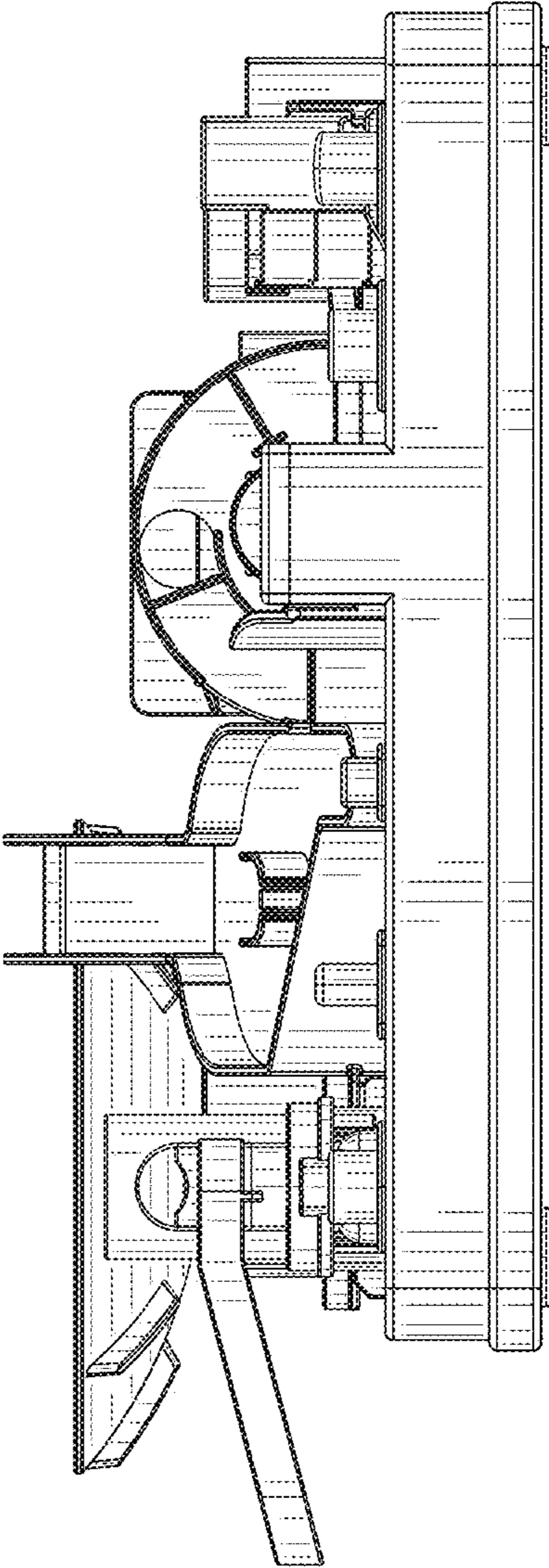


FIG. 1

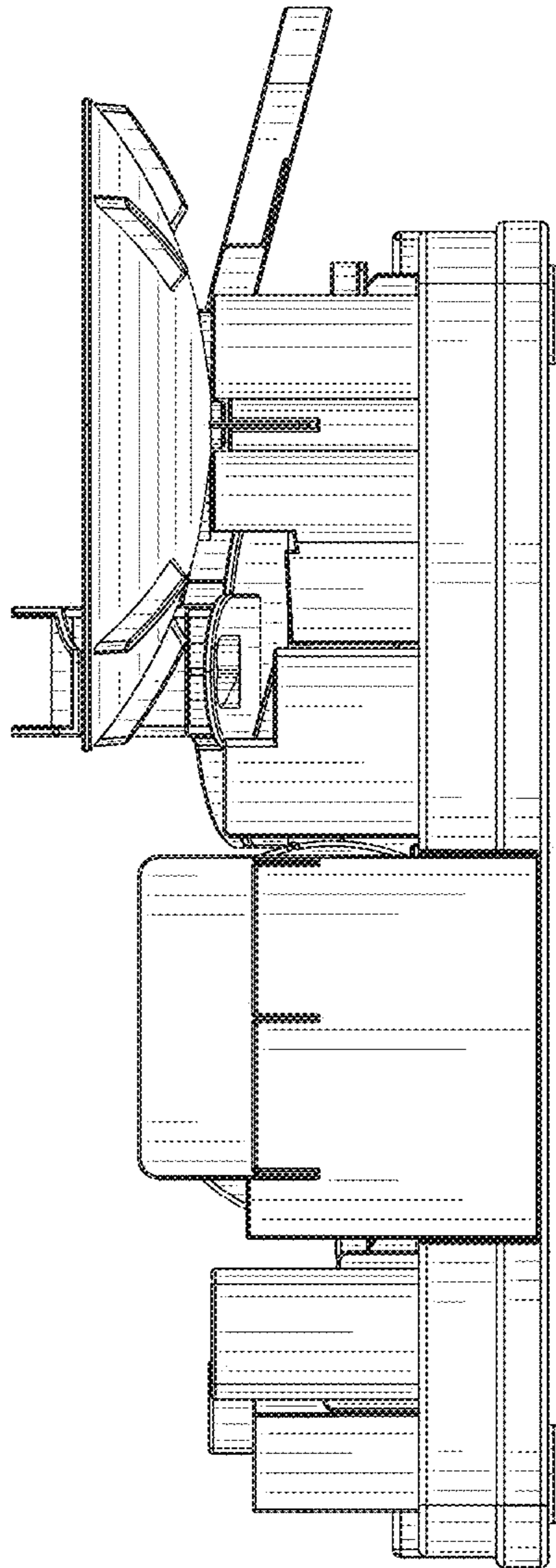


FIG. 2

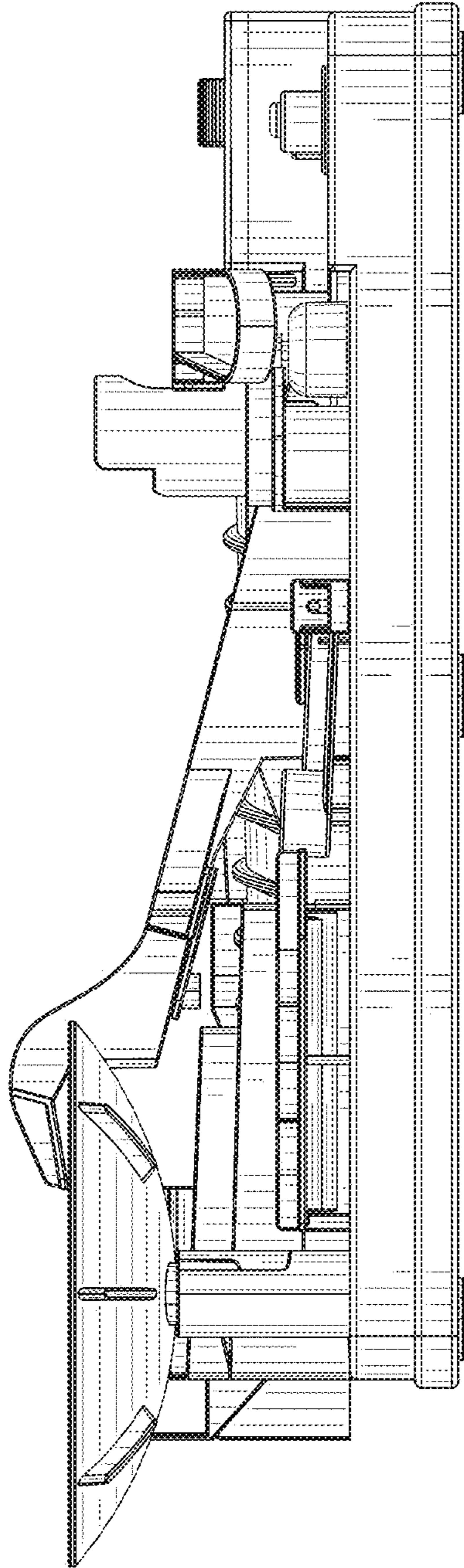


FIG. 3

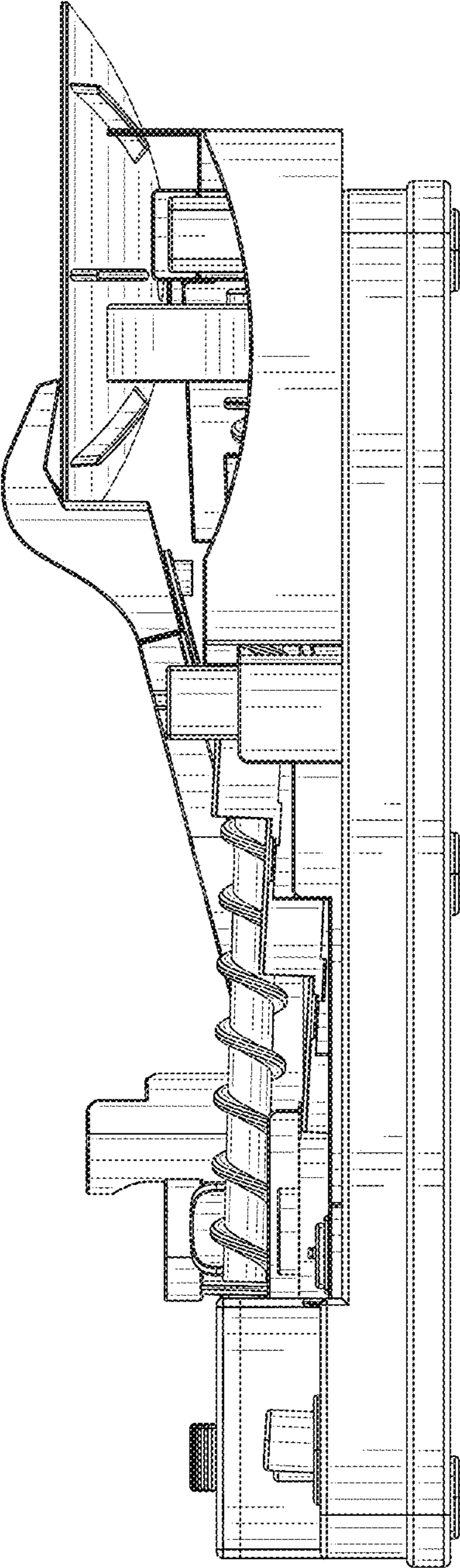


FIG. 4

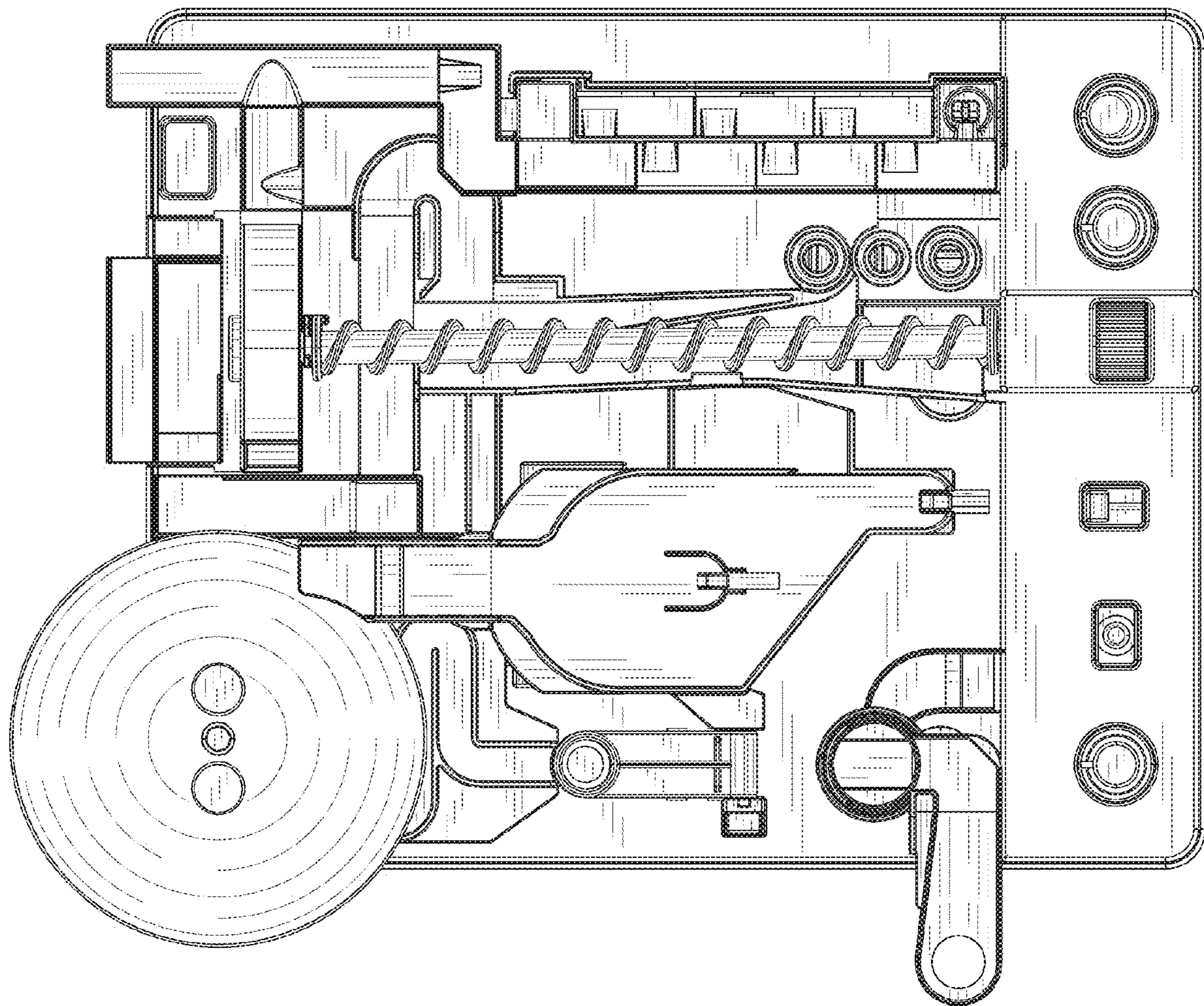


FIG. 5

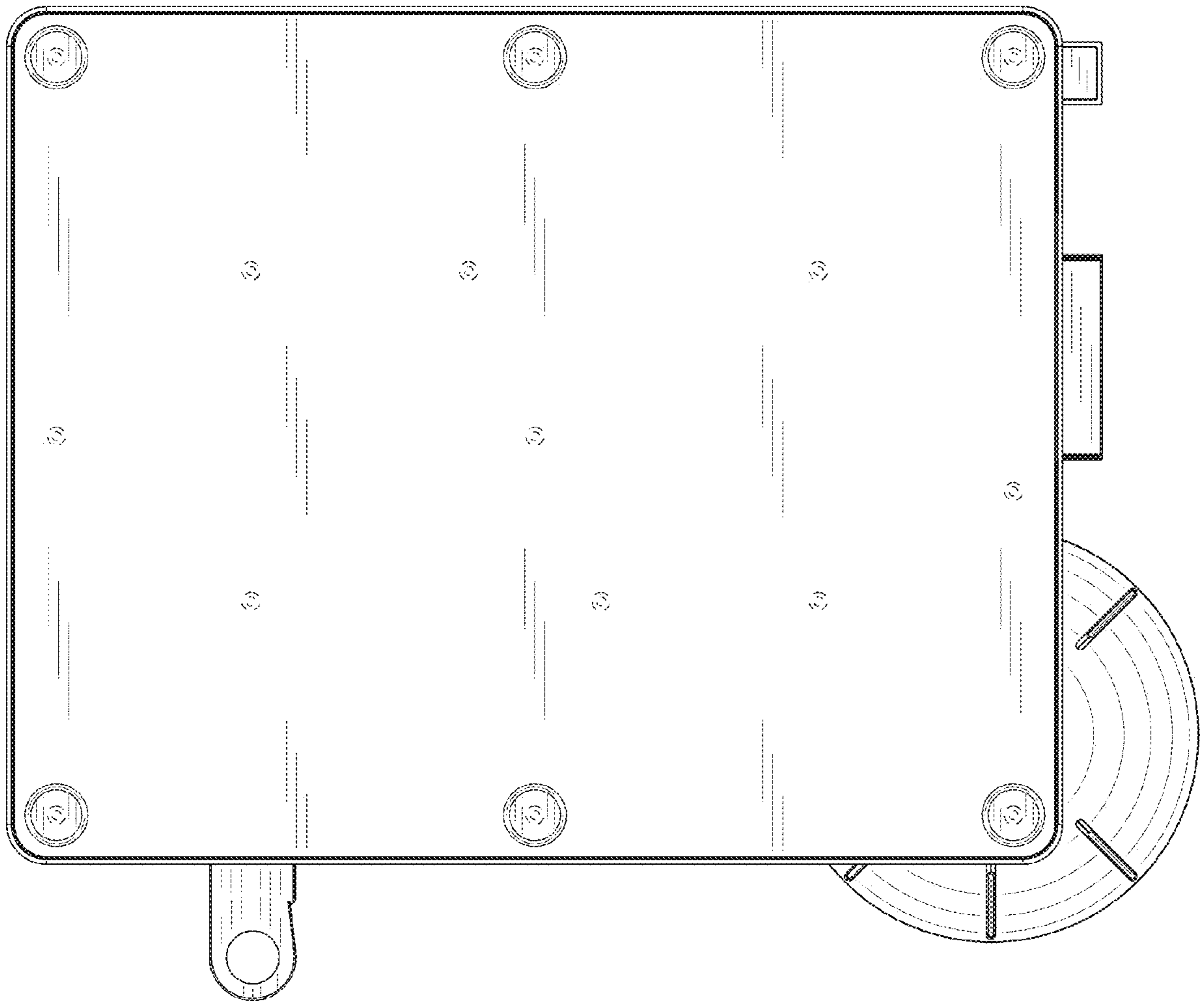


FIG. 6

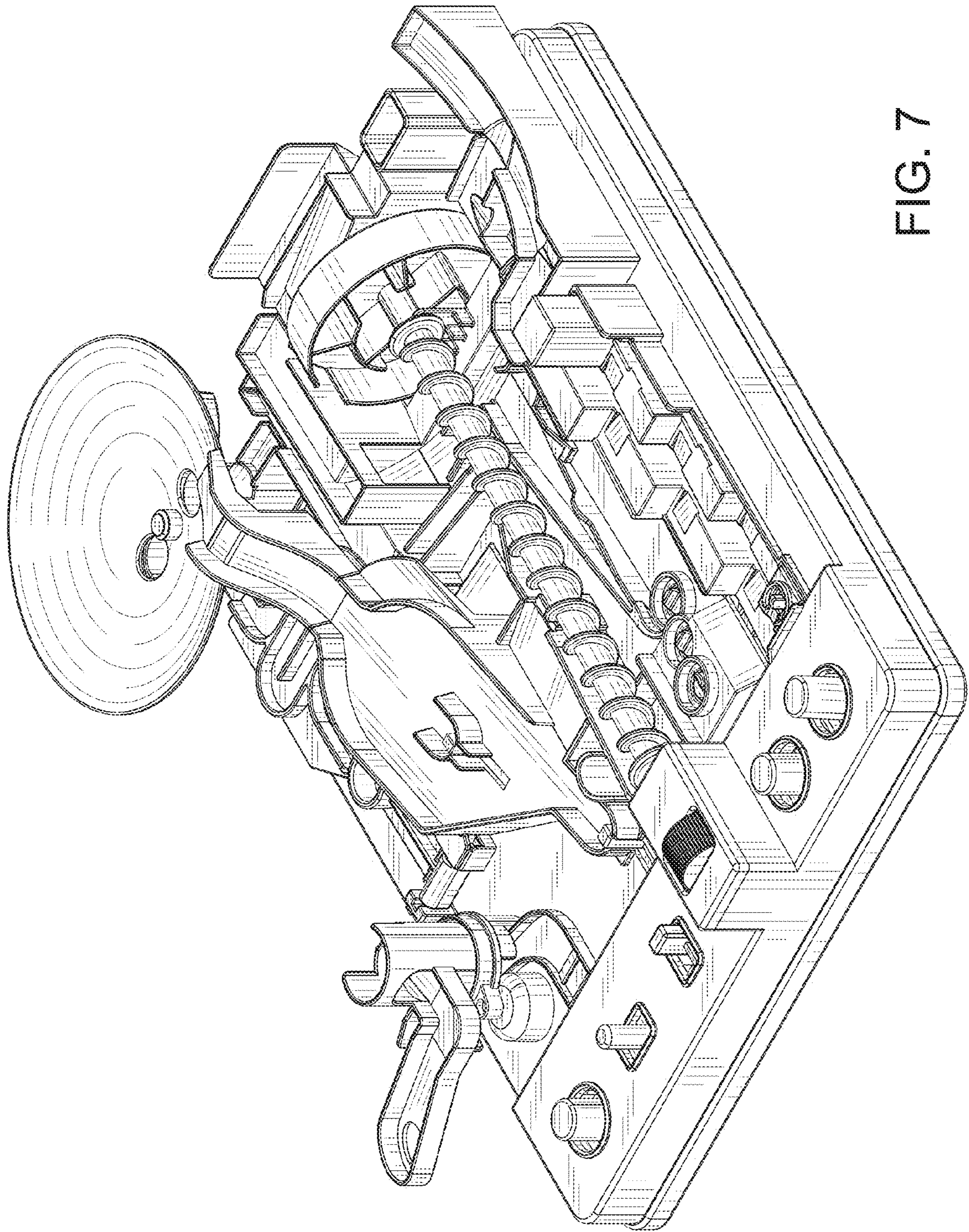


FIG. 7

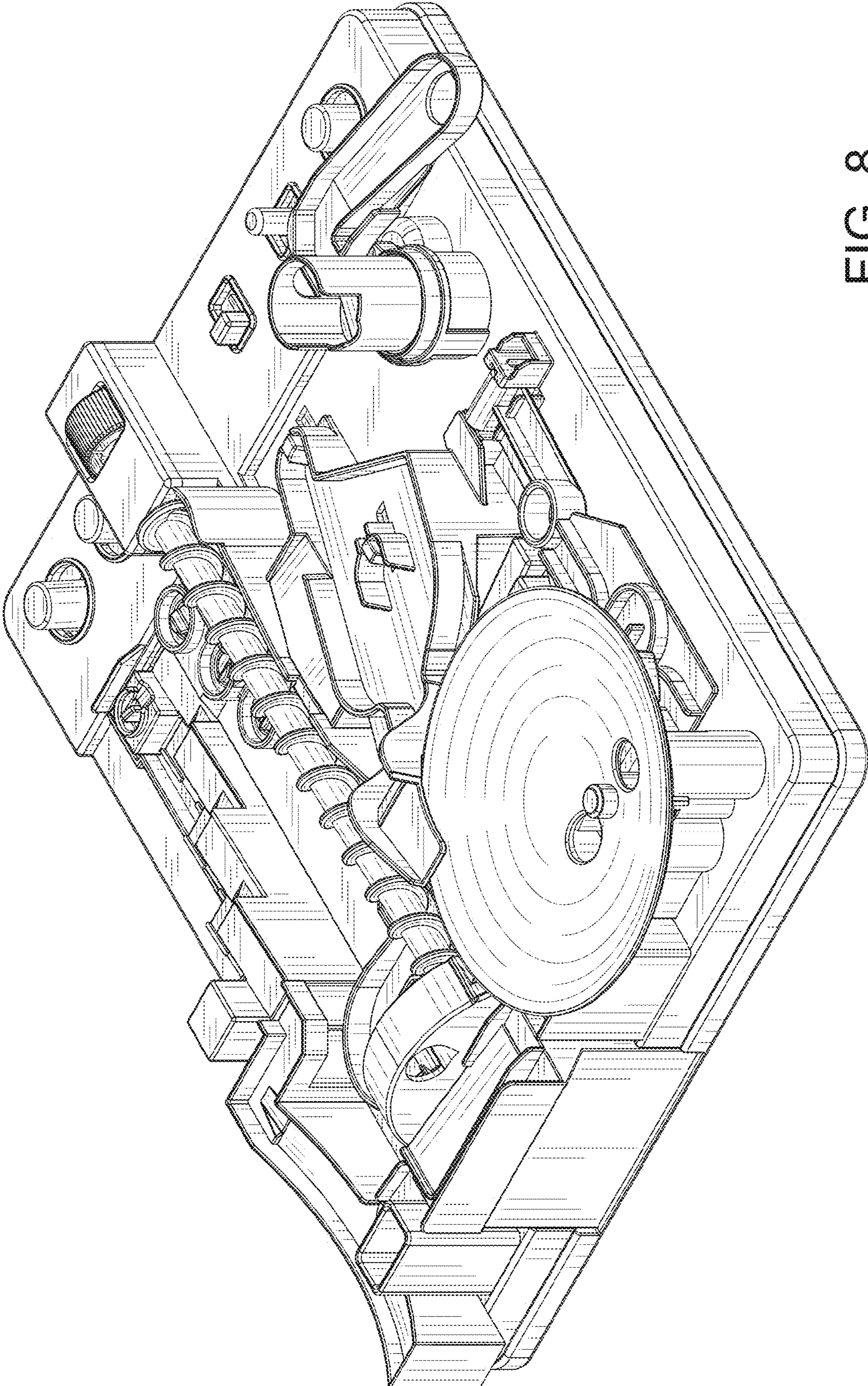


FIG. 8

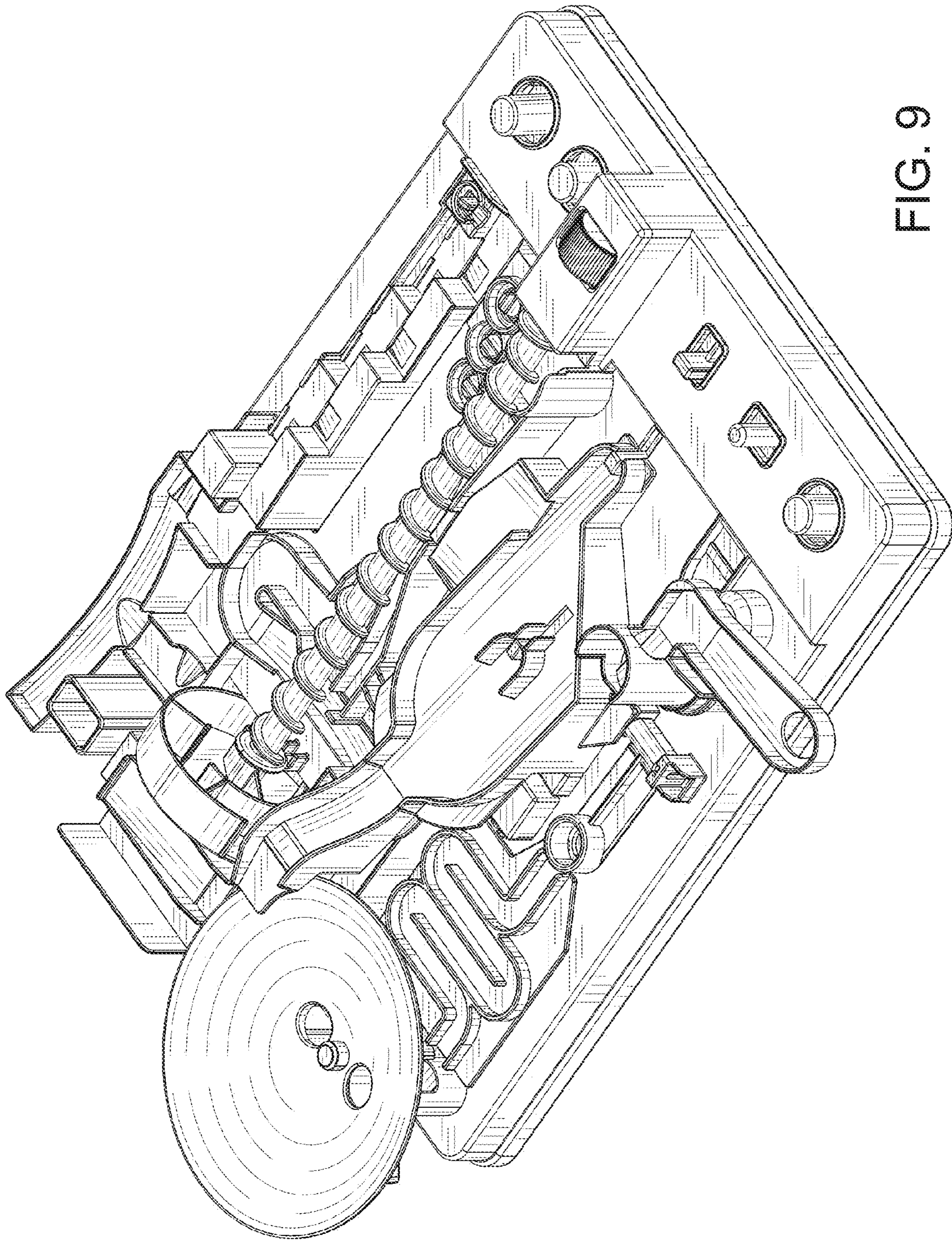


FIG. 9

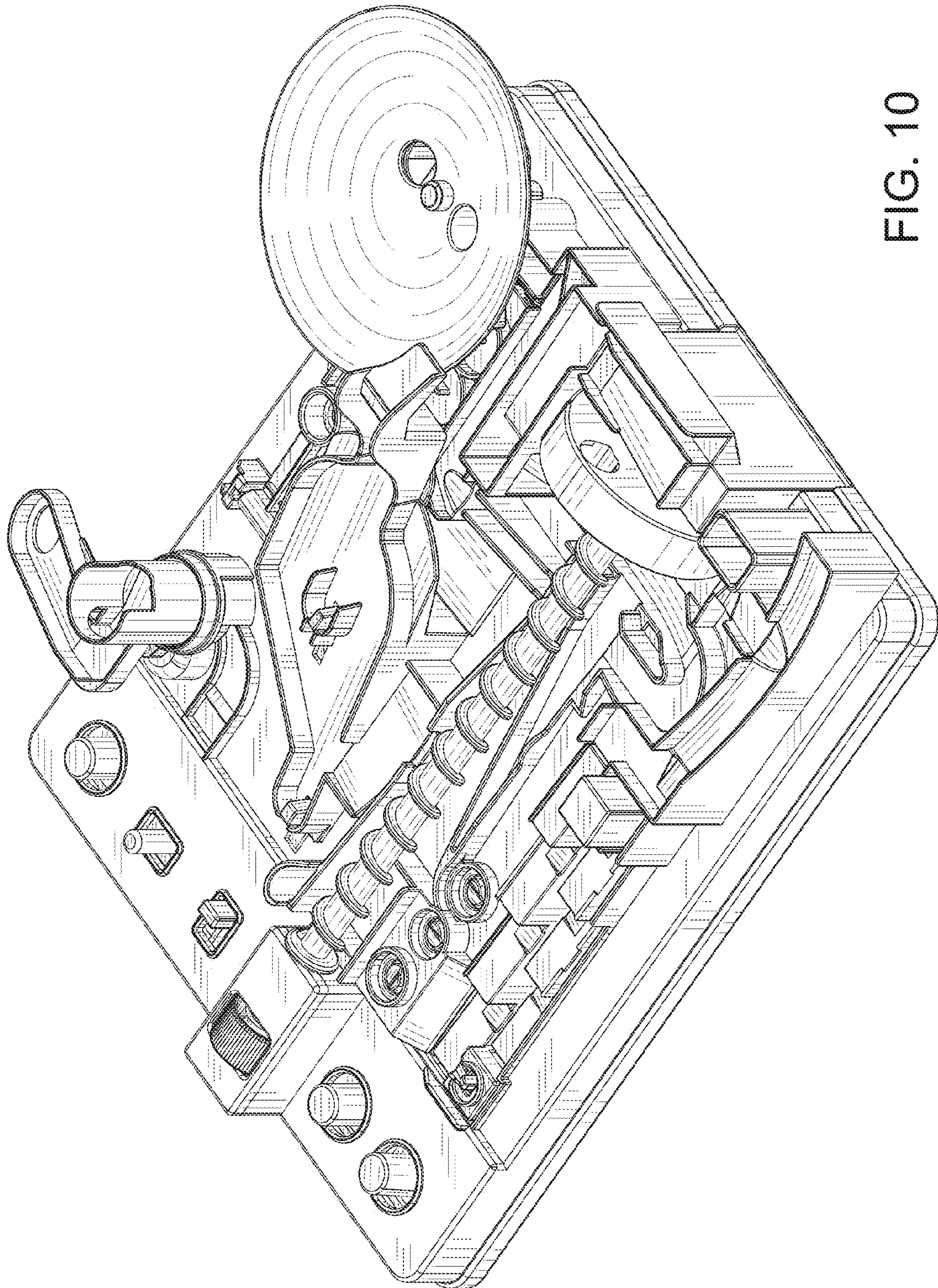


FIG. 10