



US00D979658S

(12) **United States Design Patent**
van der Weide

(10) **Patent No.:** **US D979,658 S**

(45) **Date of Patent:** **** Feb. 28, 2023**

(54) **TOY ATTACHMENT**

(71) Applicant: **Bens Holding B.V.**, Sint-Oedenrode (NL)

(72) Inventor: **Jeroen H. E. van der Weide**, Sint-Oedenrode (NL)

(73) Assignee: **Bens Holding B.V.**

(**) Term: **15 Years**

(21) Appl. No.: **29/749,816**

(22) Filed: **Sep. 9, 2020**

(51) **LOC (14) Cl.** **21-01**

(52) **U.S. Cl.**
USPC **D21/453**

(58) **Field of Classification Search**
USPC D12/1-4, 16.1, 319-345; D21/436-454; D7/628
CPC B64C 39/024; B64C 13/16; B64C 19/00; B64C 2201/021; B64C 2201/141; B64H 1/3442
See application file for complete search history.

(56) **References Cited**

U.S. PATENT DOCUMENTS

D269,967 S * 8/1983 Dmitrowsky D12/322
D278,226 S * 4/1985 Henderson D12/319

D526,951 S * 8/2006 Houck, II D12/319
D595,187 S * 6/2009 Schroeder D12/181
D616,805 S * 6/2010 Zha D12/343
D622,204 S * 8/2010 Gall D12/345
D697,019 S * 1/2014 Friesel D12/345
D715,373 S * 10/2014 Thompson D21/453
D763,733 S * 8/2016 Gattelli D12/344
D807,809 S * 1/2018 Suzuki D21/447
D913,192 S * 3/2021 Peng D12/317

* cited by examiner

Primary Examiner — John A Voytek

(74) *Attorney, Agent, or Firm* — Miller & Martin PLLC

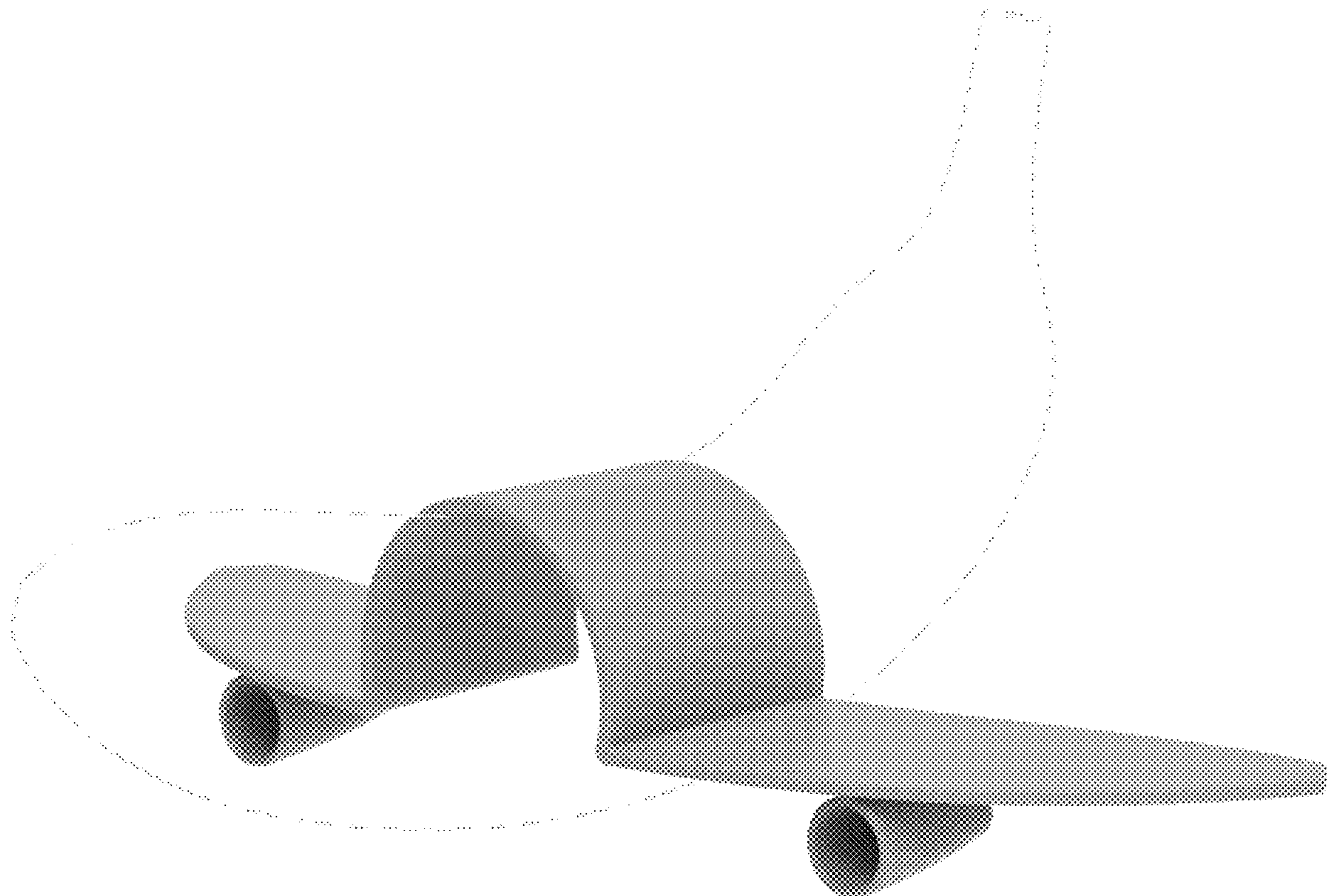
(57) **CLAIM**

The ornamental design for the toy attachment, as shown and described.

DESCRIPTION

FIG. 1 is a front left top perspective view of the toy attachment;
FIG. 2 is a left plan view of the toy attachment shown in FIG. 1, the right plan view being a mirror image thereof;
FIG. 3 is a front plan view of the toy attachment shown in FIG. 1; and,
FIG. 4 is a top plan view of the toy attachment shown in FIG. 1.
Broken lines illustrating an environment of the toy attachment are for illustrative purposes only and form no part of the claimed design.

1 Claim, 4 Drawing Sheets



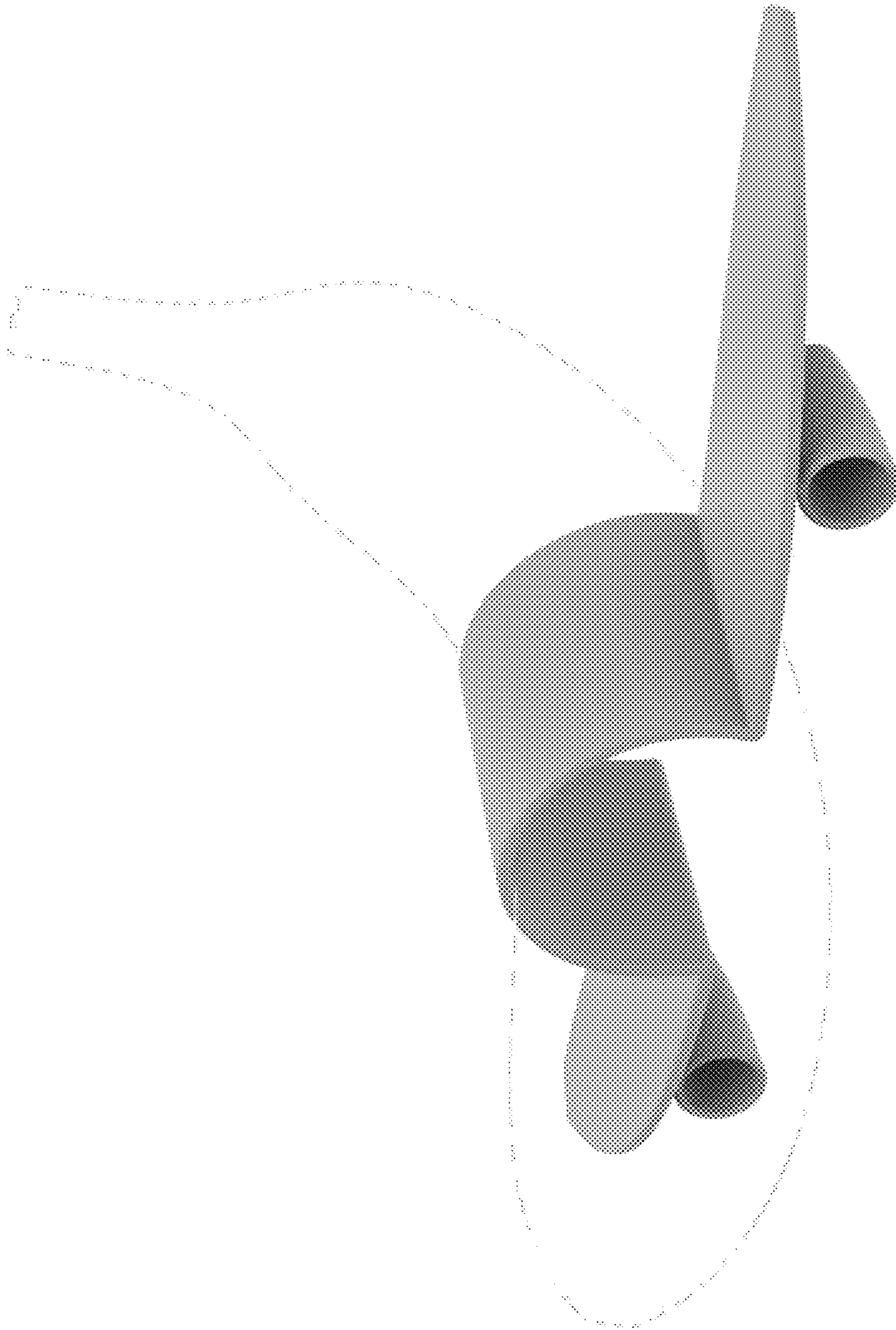


Fig. 1

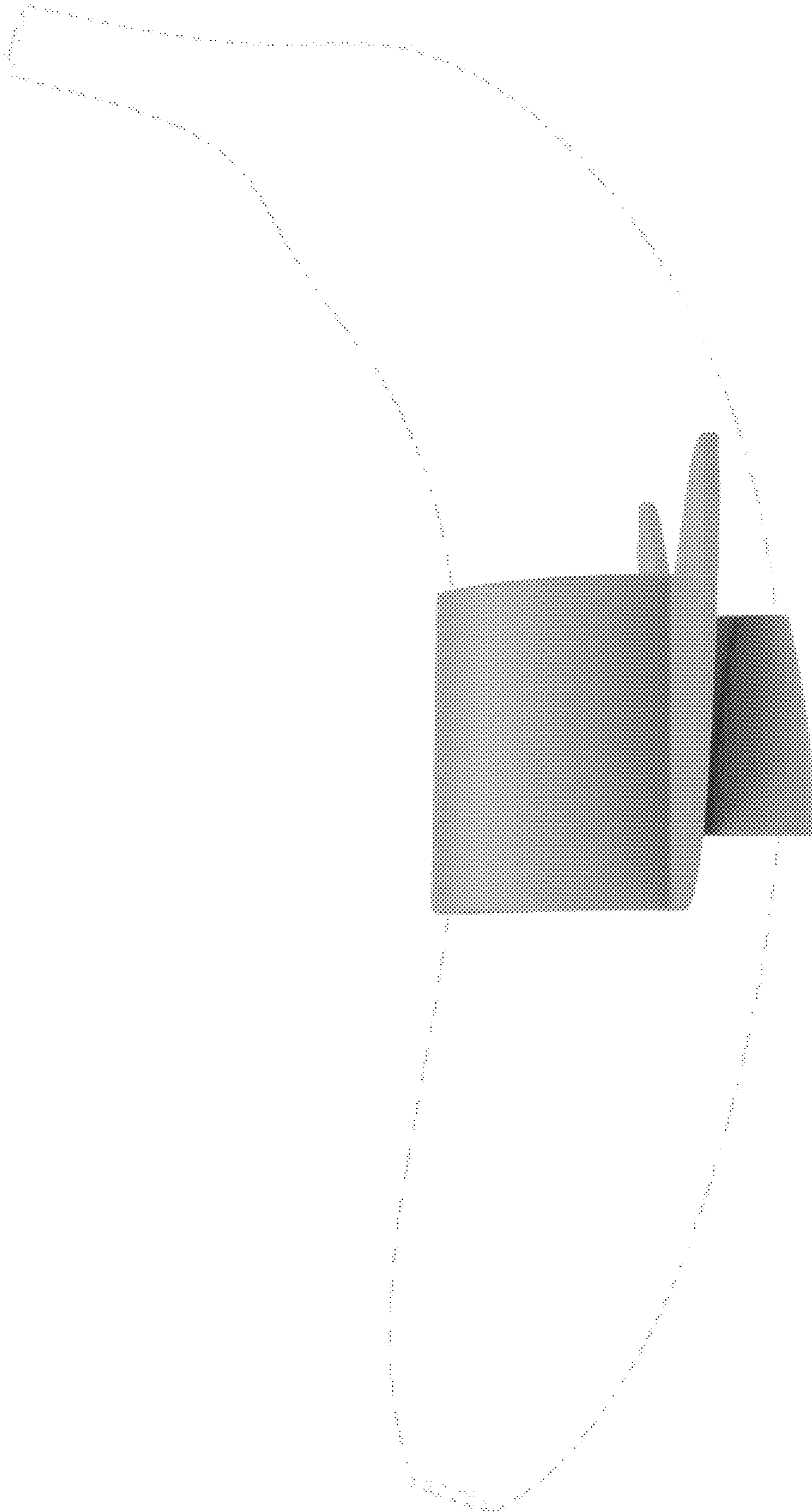


Fig. 2

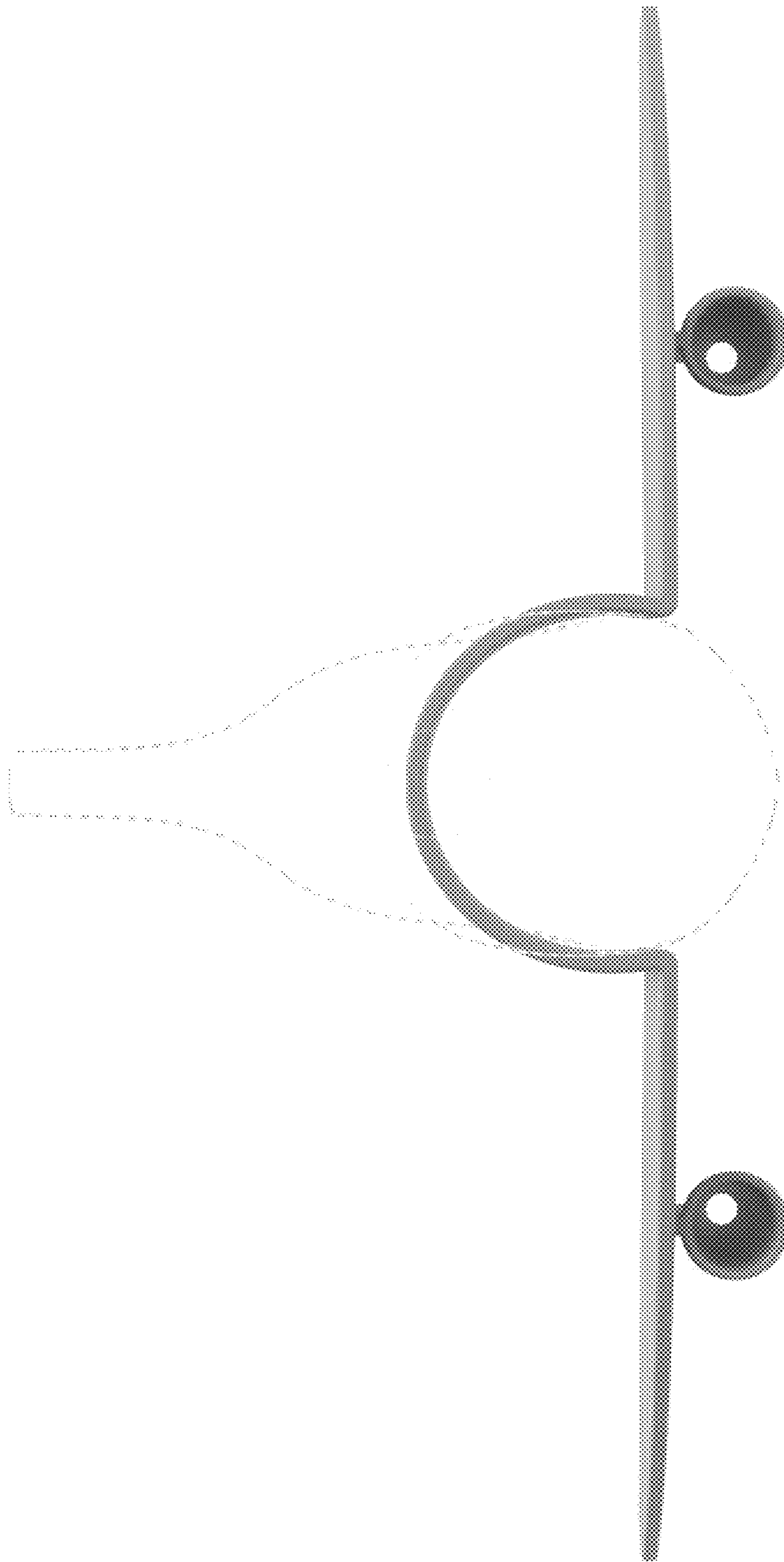


Fig. 3

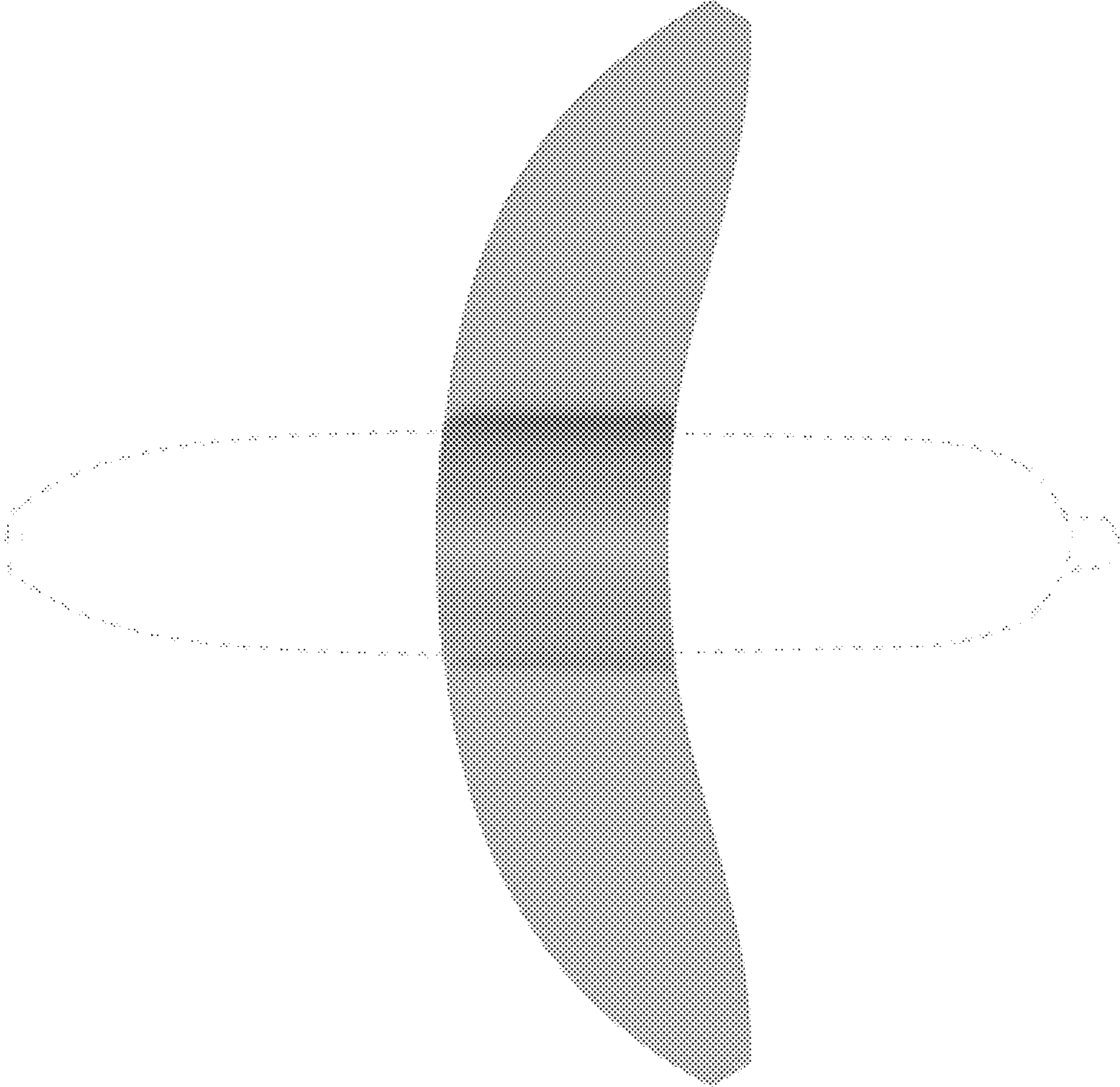


Fig. 4