



US00D979656S

(12) **United States Design Patent** (10) **Patent No.:** **US D979,656 S**
Shillito (45) **Date of Patent:** **** Feb. 28, 2023**

(54) **TOY DRUM**

(71) Applicant: **KIDS II HAPE JOINT VENTURE LIMITED**, Central (HK)
(72) Inventor: **Adam Shillito**, Dagang Industrial (CN)
(73) Assignee: **KIDS II HAPE JOINT VENTURE LIMITED**, Hong Kong (HK)
(**) Term: **15 Years**

(21) Appl. No.: **29/761,732**
(22) Filed: **Dec. 11, 2020**
(51) **LOC (14) Cl.** **21-01**
(52) **U.S. Cl.**
USPC **D21/405; D17/22**
(58) **Field of Classification Search**
USPC D21/398, 405, 408, 409, 468, 475, 500,
D21/407, 406, 411, 586; D19/50;
D17/24, 99, 22
CPC ... A63H 5/00; A63H 3/28; A63H 3/31; A63H
1/28; G10D 13/02
See application file for complete search history.

(56) **References Cited**

U.S. PATENT DOCUMENTS

D163,538 S * 6/1951 Orta 84/411 R
D242,873 S * 12/1976 Clements 84/411 R
4,337,684 A * 7/1982 Le Mert G10D 13/28
984/150
D293,594 S 1/1988 Lenihan
4,801,771 A 1/1989 Mizuguchi et al.
4,892,023 A 1/1990 Takeuchi et al.

(Continued)

FOREIGN PATENT DOCUMENTS

CA 2484914 A1 12/2003
CN 2136687 Y 6/1993

(Continued)

OTHER PUBLICATIONS

Kidoozie Flashbeat Drums. Release Date: Feb. 1, 2020. Retrieved from internet: <<https://www.amazon.com/dp/B0843H7WL8>> [site visited Jun. 1, 2022] (Year: 2020).*

(Continued)

Primary Examiner — Katherine Glennon

Assistant Examiner — Yuan Yuan

(74) *Attorney, Agent, or Firm* — Gardner Groff & Greenwald, PC

(57) **CLAIM**

The ornamental design for a toy drum, as shown and described.

DESCRIPTION

FIG. 1 is a first perspective view of a toy drum according to a first embodiment of the design.

FIG. 2 is a second perspective view of the toy drum of FIG. 1.

FIG. 3 is a front view of the toy drum of FIG. 1.

FIG. 4 is a rear view of the toy drum of FIG. 1.

FIG. 5 is a first side view of the toy drum of FIG. 1.

FIG. 6 is a second side view of the toy drum of FIG. 1.

FIG. 7 is a top view of the toy drum of FIG. 1.

FIG. 8 is a bottom view of the toy drum of FIG. 1.

FIG. 9 is a first perspective view of a toy drum according to a second embodiment of the design.

FIG. 10 is a second perspective view of the toy drum of FIG. 9.

FIG. 11 is a front view of the toy drum of FIG. 9.

FIG. 12 is a rear view of the toy drum of FIG. 9.

FIG. 13 is a first side view of the toy drum of FIG. 9.

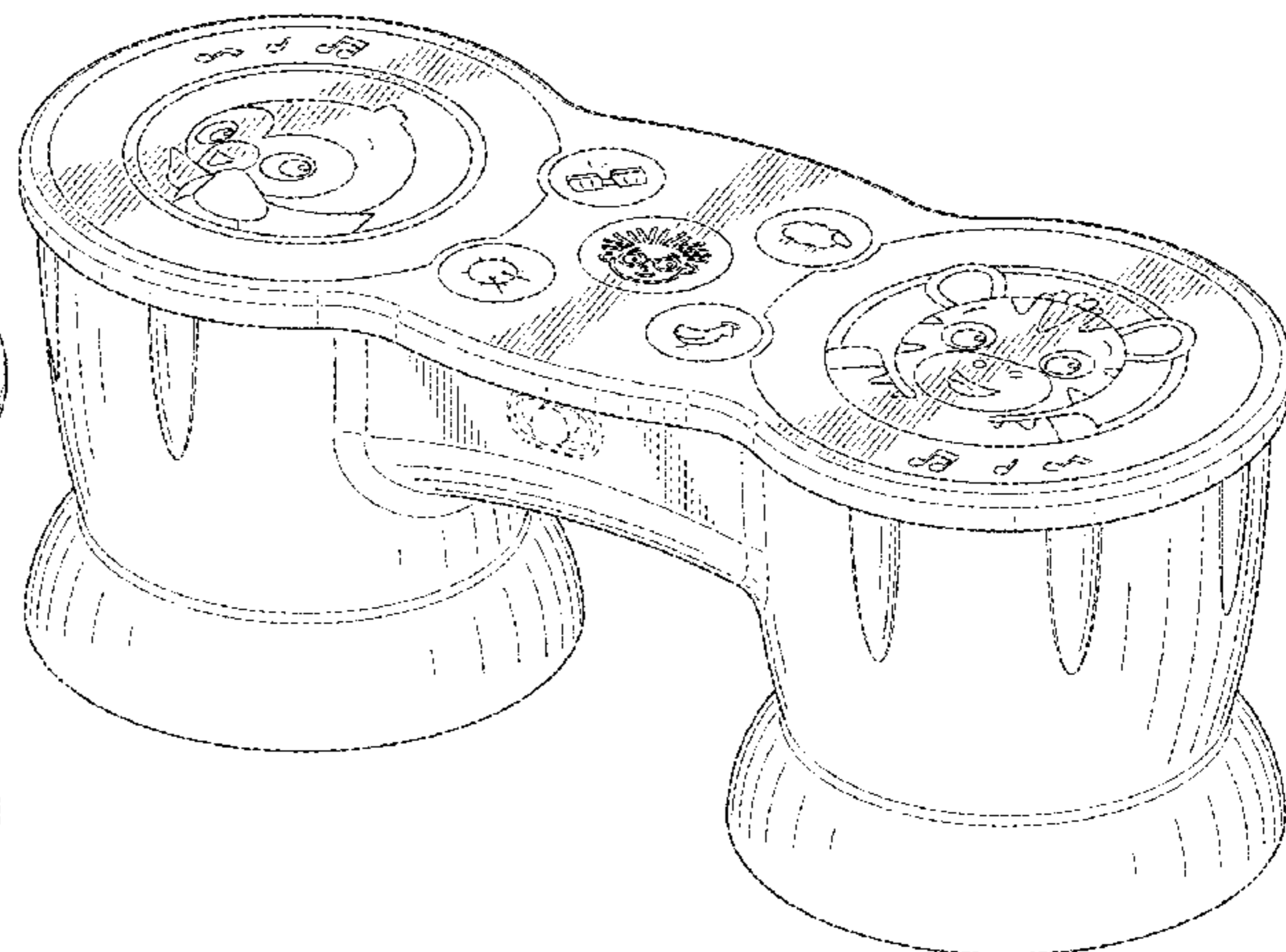
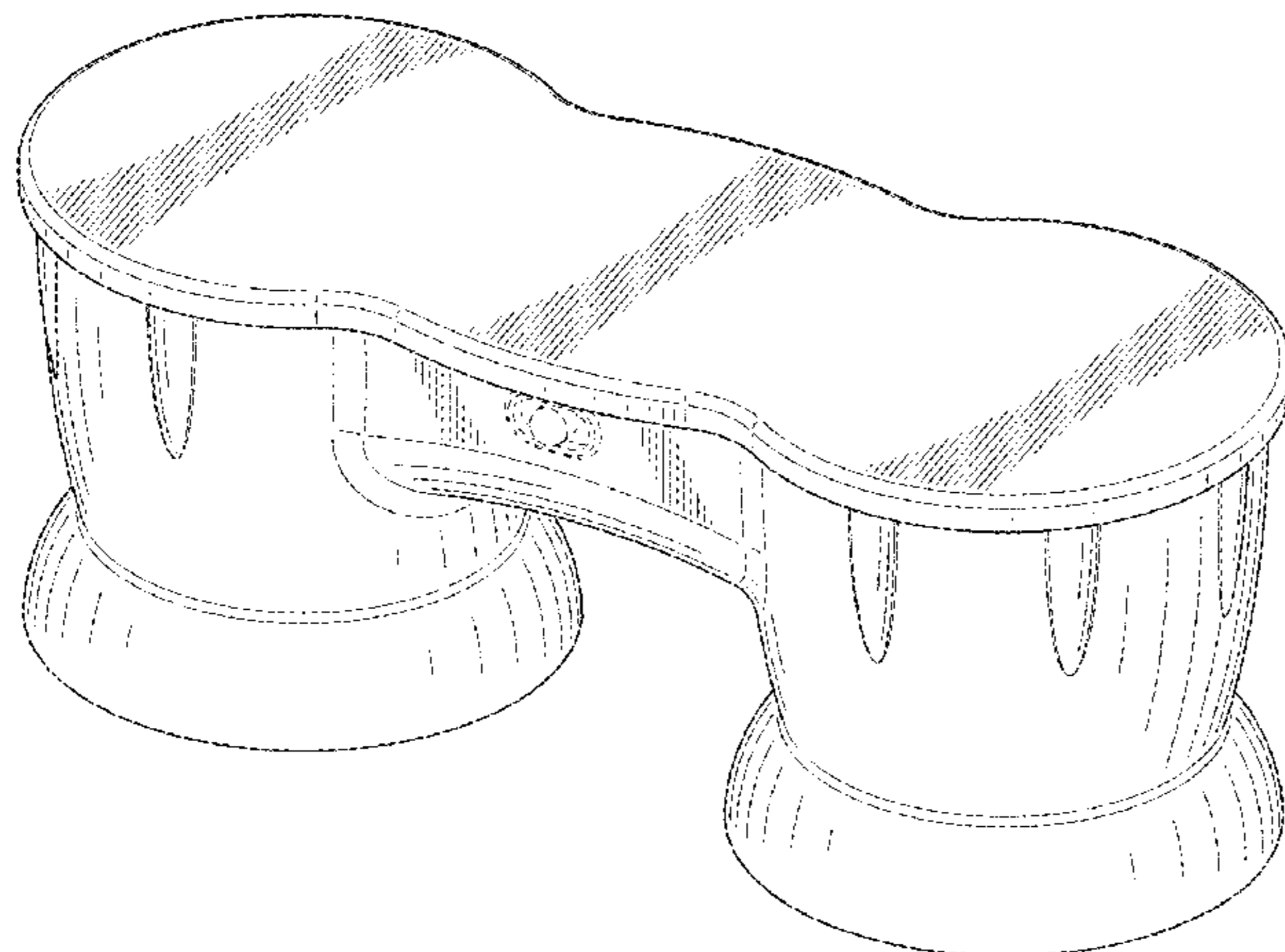
FIG. 14 is a second side view of the toy drum of FIG. 9.

FIG. 15 is a top view of the toy drum of FIG. 9; and,

FIG. 16 is a bottom view of the toy drum of FIG. 9.

The broken lines shown in the drawings depict portions of the toy drum that form no part of the claimed design.

1 Claim, 8 Drawing Sheets



(56)

References Cited

U.S. PATENT DOCUMENTS

4,899,631 A 2/1990 Baker
 4,911,053 A 3/1990 Kashio et al.
 D315,744 S 3/1991 Lerch
 D316,722 S 5/1991 Lerch
 D321,728 S 11/1991 Wehmeyer
 D321,729 S 11/1991 Maple
 D325,662 S * 4/1992 Meyers, Jr. D1/126
 5,135,426 A 8/1992 Lin
 5,145,447 A 9/1992 Goldfarb
 5,248,843 A 9/1993 Billings
 5,254,007 A 10/1993 Eagan
 5,496,179 A 3/1996 Hoffman
 5,538,430 A 7/1996 Smith et al.
 5,545,071 A 8/1996 Shiraiishi
 5,797,569 A * 8/1998 Simons G10G 5/00
 84/421
 5,883,325 A 3/1999 Peirce
 6,018,116 A * 1/2000 Simons G10D 13/16
 84/411 R
 6,142,849 A 11/2000 Horton et al.
 6,162,977 A * 12/2000 Cohen G10D 13/02
 84/411 R
 6,274,800 B1 8/2001 Gardner
 D455,794 S * 4/2002 Kane D21/405
 6,443,794 B2 9/2002 Oren et al.
 6,454,627 B1 9/2002 Mak
 6,586,666 B2 7/2003 Abe
 6,716,031 B2 4/2004 Wood et al.
 6,955,603 B2 10/2005 Jeffway, Jr. et al.
 6,991,509 B1 1/2006 Carley et al.
 D541,330 S * 4/2007 Lombardi D17/22
 7,244,165 B2 7/2007 Gubitosi et al.
 7,252,510 B1 8/2007 Basu et al.
 7,294,775 B1 * 11/2007 Spoljaric, Jr. G10D 13/02
 84/421
 7,301,351 B2 11/2007 Deangelis et al.
 7,728,209 B1 6/2010 Arnold
 7,874,927 B2 1/2011 Godiska
 3,003,877 A1 8/2011 Elion
 3,008,563 A1 8/2011 Hastings
 8,093,482 B1 1/2012 Kramer et al.
 8,098,240 B2 1/2012 Zielinski et al.
 8,235,824 B2 8/2012 Kuhn
 8,373,672 B2 2/2013 Wallace et al.
 8,378,203 B2 2/2013 Wallace et al.
 8,395,040 B1 3/2013 Kramer et al.
 8,398,451 B2 3/2013 Wolfe et al.
 8,400,426 B2 3/2013 Zielinski et al.
 8,471,138 B2 6/2013 Wallace et al.
 8,476,519 B2 7/2013 Liotta
 8,477,506 B2 7/2013 Moncrieff
 8,513,510 B1 * 8/2013 Huang G10D 13/02
 84/421
 8,594,557 B2 11/2013 Taylor et al.
 8,614,389 B2 12/2013 Wallace et al.
 8,729,379 B2 5/2014 Wallace et al.
 8,735,710 B2 5/2014 Yamabata
 8,773,387 B2 7/2014 Wallace et al.
 8,816,181 B2 8/2014 Shemesh
 8,865,992 B2 10/2014 Shavit
 8,878,042 B2 11/2014 Van Wagoner et al.
 9,092,096 B2 7/2015 Li et al.
 9,093,059 B2 7/2015 Dejima et al.
 9,111,516 B1 8/2015 Saraceni
 9,259,658 B2 2/2016 Hillis et al.
 9,299,330 B2 3/2016 Shi
 9,311,907 B2 4/2016 Beck
 9,324,310 B2 4/2016 McPherson et al.
 9,492,762 B2 11/2016 Albert et al.
 9,583,087 B2 2/2017 Iwase
 9,620,096 B2 4/2017 Ambrosino
 9,628,880 B2 4/2017 Koss et al.
 9,659,505 B2 5/2017 Camp et al.
 9,761,210 B2 9/2017 McPherson

9,773,487 B2 9/2017 Alt et al.
 9,805,705 B2 10/2017 McPherson et al.
 9,836,151 B2 12/2017 McMillen et al.
 9,837,062 B2 12/2017 Wernick et al.
 10,019,849 B2 7/2018 Berman et al.
 10,224,494 B2 3/2019 Watabe et al.
 10,288,507 B2 5/2019 McMillen et al.
 10,288,800 B1 5/2019 Keranen et al.
 10,325,966 B2 6/2019 Isa
 10,339,829 B2 7/2019 Grafman
 10,485,094 B1 11/2019 Isohatala et al.
 10,561,019 B2 2/2020 Heikkinen et al.
 10,643,484 B2 5/2020 Nguyen
 10,791,826 B2 10/2020 Crowe et al.
 10,804,898 B2 10/2020 Ie et al.
 10,821,889 B2 11/2020 DeGrote et al.
 10,901,560 B2 1/2021 Reese et al.
 2009/0139798 A1 6/2009 Bernard
 2009/0260508 A1 10/2009 Elion
 2009/0266218 A1 10/2009 Parienti
 2011/0195392 A1 8/2011 Kim
 2011/0239848 A1 10/2011 Beck
 2012/0024132 A1 2/2012 Wallace et al.
 2012/0247308 A1 10/2012 Tsai
 2013/0074680 A1 3/2013 Elion
 2013/0083946 A1 4/2013 Liu
 2014/0023820 A1 1/2014 Muhlbauer et al.
 2015/0286294 A1 10/2015 Kopcke et al.
 2017/0136380 A1 5/2017 Creedican
 2017/0225070 A1 8/2017 Baks
 2017/0345323 A1 11/2017 Martinez Sanchez et al.
 2018/0025711 A1 * 1/2018 Bhamra G06F 3/03547
 84/600
 2019/0212843 A1 * 7/2019 Reese G06F 3/165
 2019/0304238 A1 10/2019 Ambauen et al.
 2019/0371285 A1 * 12/2019 Fowler G10D 13/02
 2020/0316483 A1 10/2020 Reese et al.
 2020/0369223 A1 11/2020 Hansen et al.

FOREIGN PATENT DOCUMENTS

CN 301531570 * 4/2011
 CN 103908780 A 7/2014
 CN 203954672 U 11/2014
 CN 105336229 A 2/2016
 CN 105765993 A 7/2016
 CN 206075588 U 4/2017
 JP 2015118398 A 6/2015
 WO 2005053806 A2 6/2005
 WO 2007009251 A1 1/2007
 WO 2011100441 A1 8/2011
 WO 2012024132 A2 2/2012

OTHER PUBLICATIONS

Remo KD-5400-01 Kids Percussion Bongo Drum. Date First Available: Jul. 30, 2004. Retrieved from internet: <<https://www.amazon.com/dp/B00000IS0P/>> [site visited Jun. 1, 2022] (Year: 2004).*
 Baby Einstein, Hape, Upbeat Tunes Magic Touch Drum. Date First Available: Dec. 6, 2020. Retrieved from internet: <<https://www.amazon.co.uk/dp/B08PDQQJDP/?th=1>> [site visited Jun. 1, 2022] (Year: 2020).*
 Let's play Drums with Baby Shark & Kongsuni. Date Uploaded: May 10, 2020. Retrieved from internet: <<https://www.youtube.com/watch?v=DRQJExwOJOE>> [site visited Jun. 8, 2022] (Year: 2020).*
 International Search Report & Written Opinion of PCT/US2019/012529; dated Mar. 22, 2019; 15 pgs.
 International Search Report & Written Opinion of PCT/US2020/038673; dated Sep. 22, 2020; 13 pgs.
 Notification of the First Office Action for Chinese App. No. 2019800074487; dated Jan. 28, 2021; 14 pgs.
 Notification of the Second Office Action for Chinese App. No. 2019800074487; dated Apr. 25, 2021; 14 pgs.

* cited by examiner

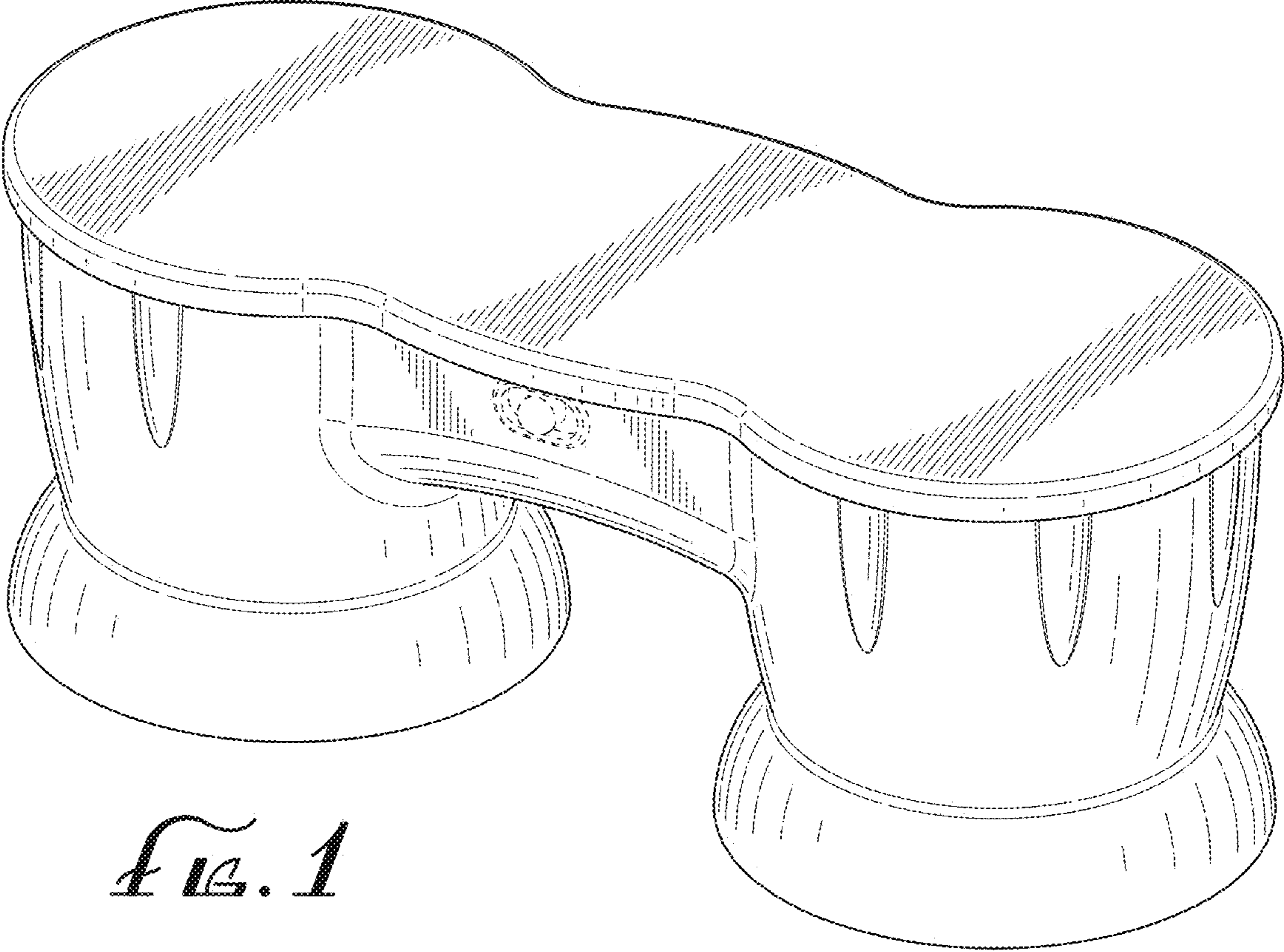


FIG. 1

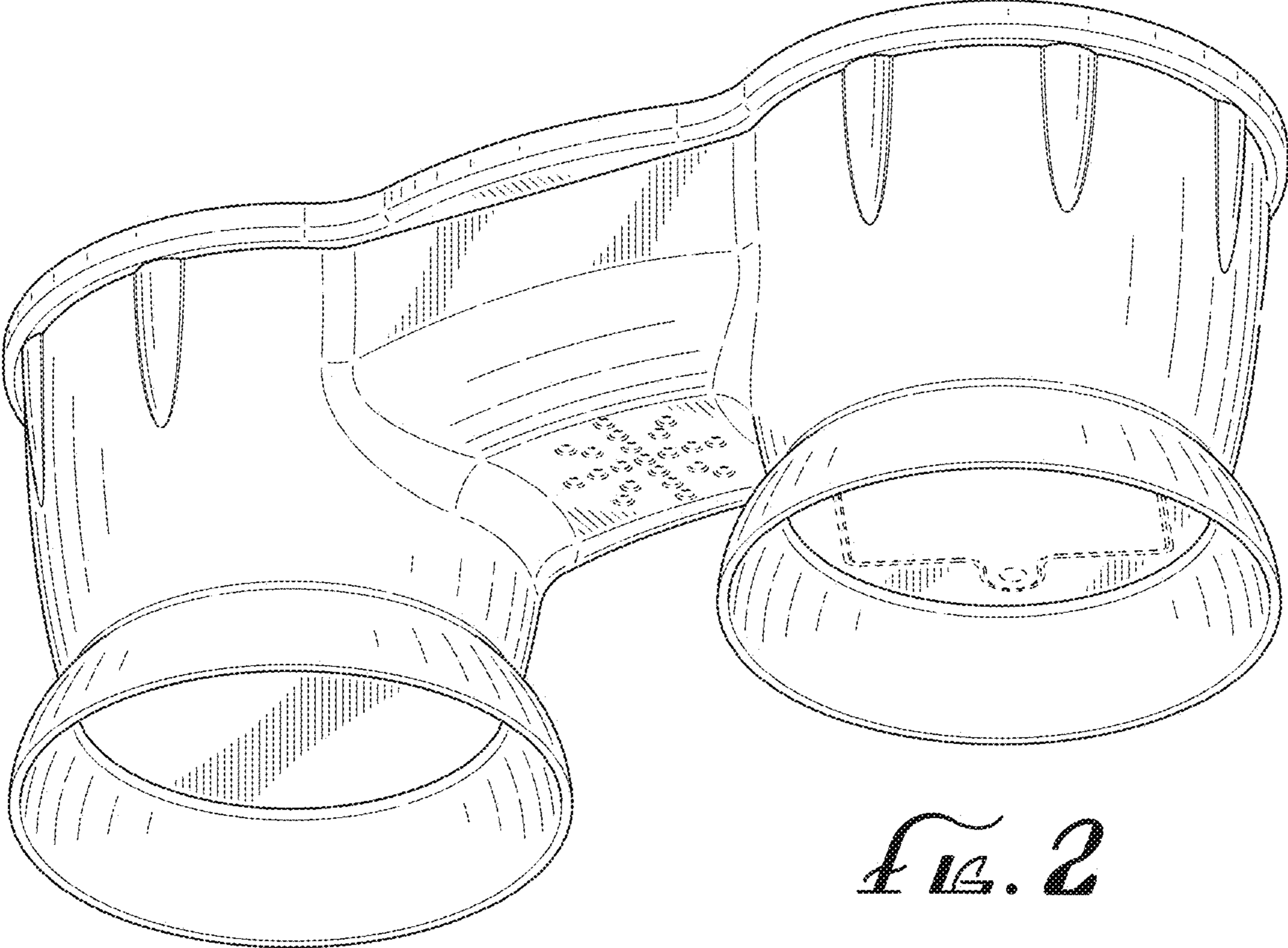


FIG. 2

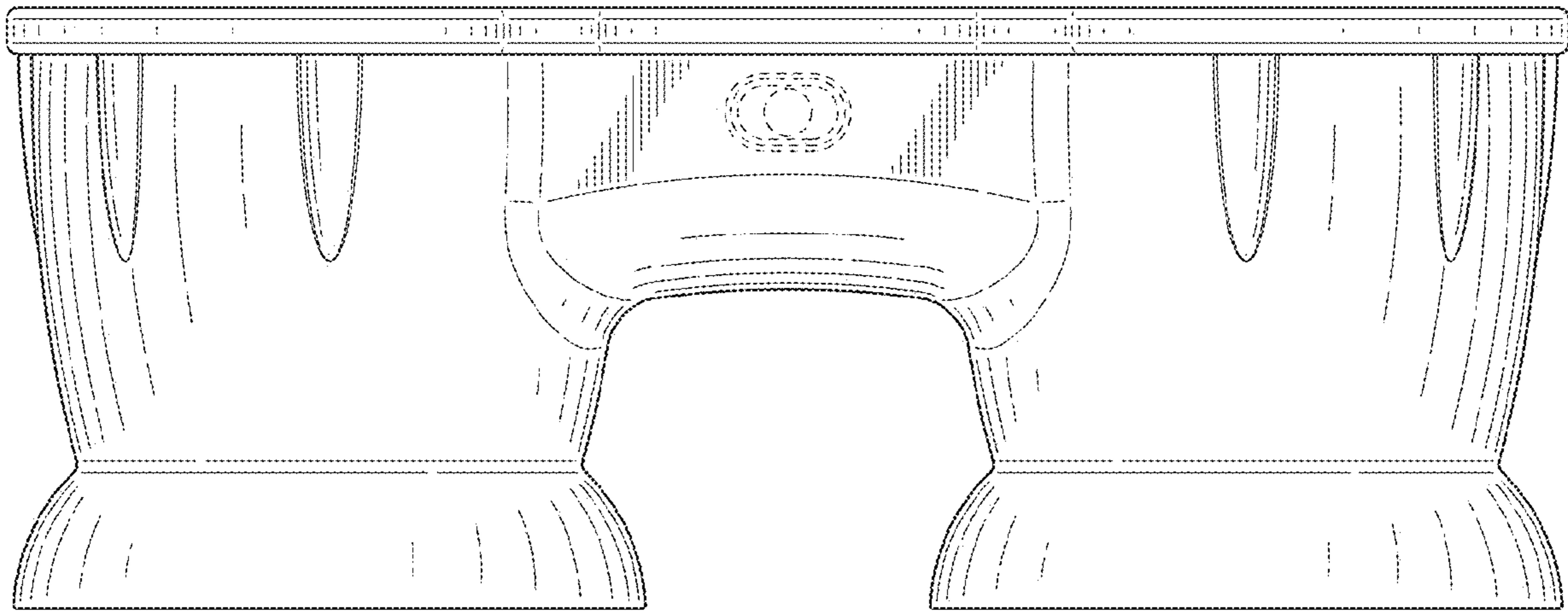


FIG. 3

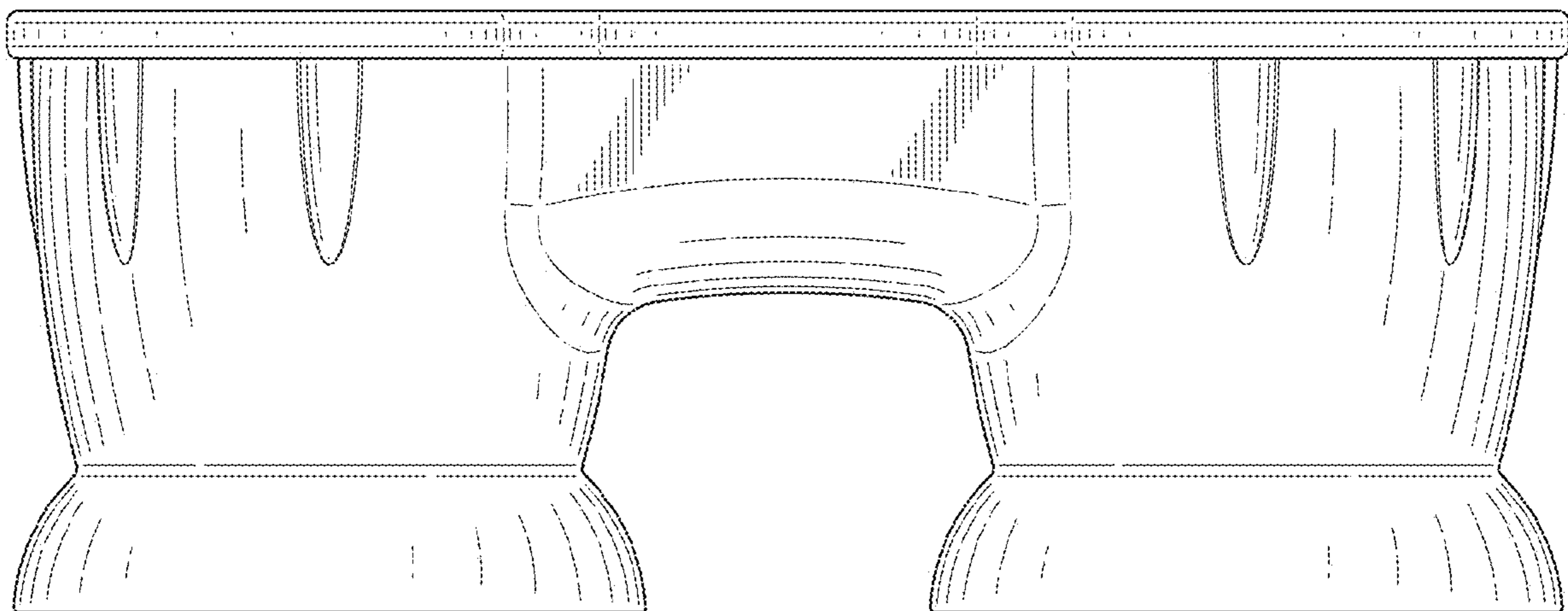


FIG. 4

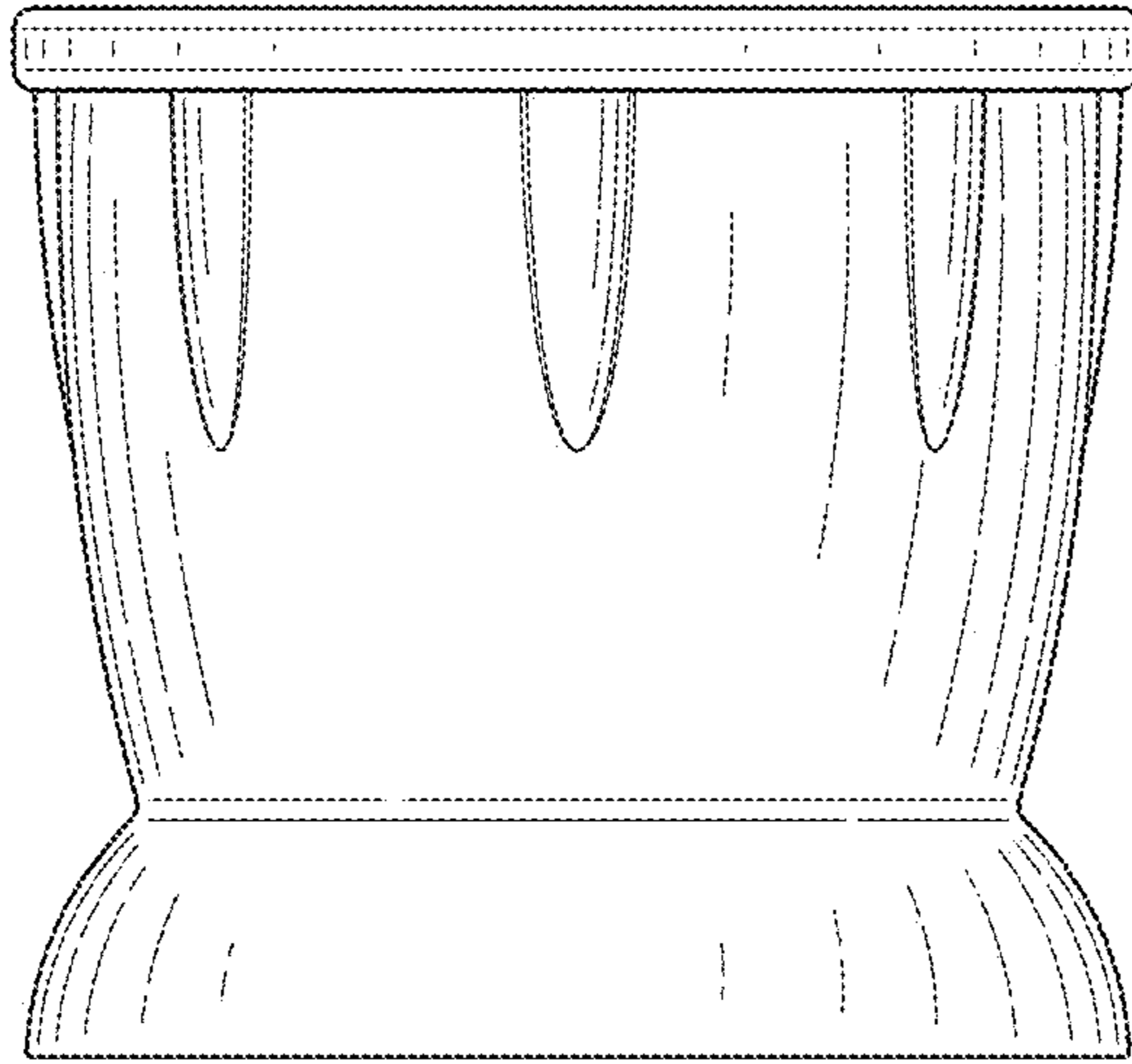


FIG. 5

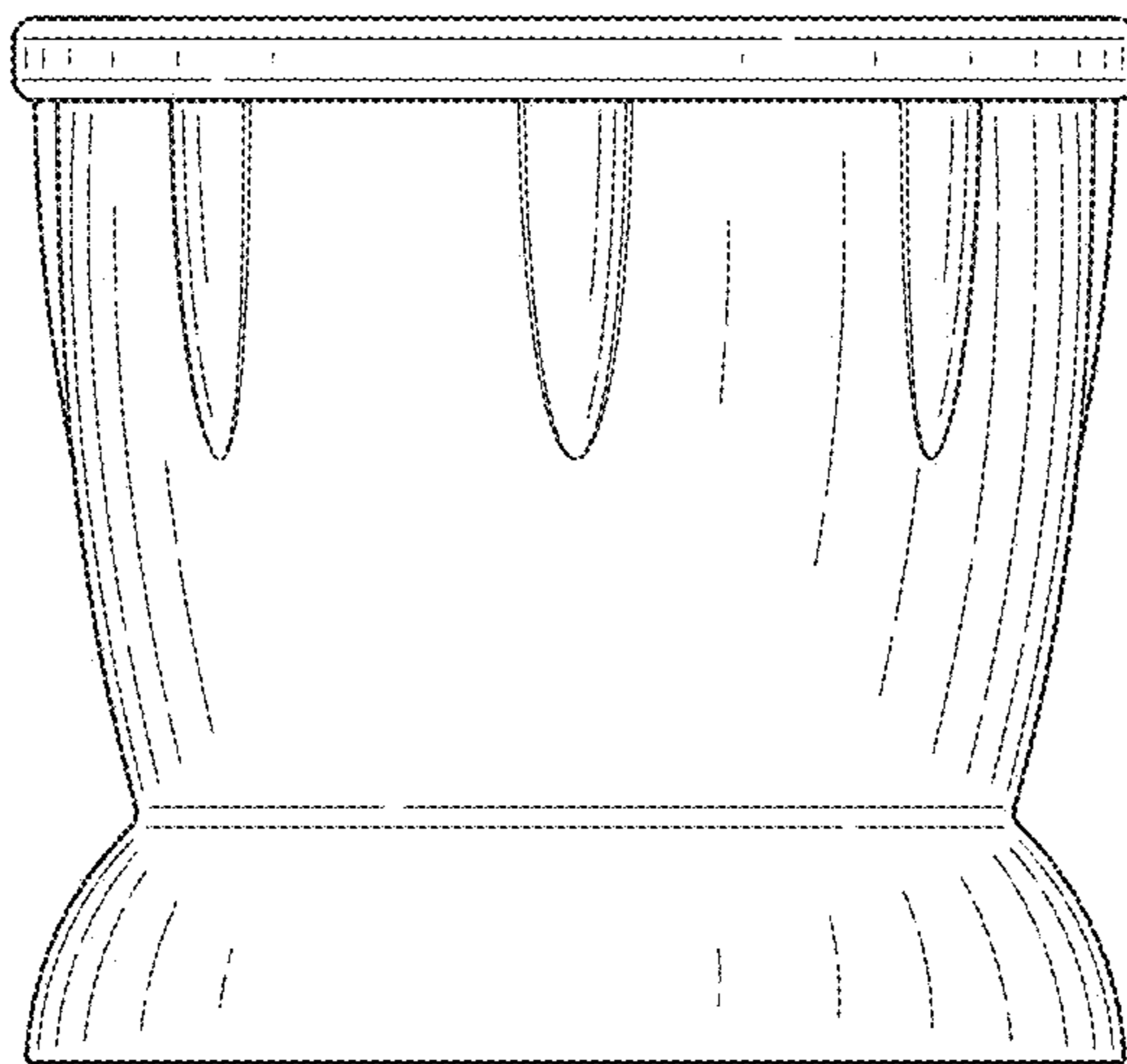


FIG. 6

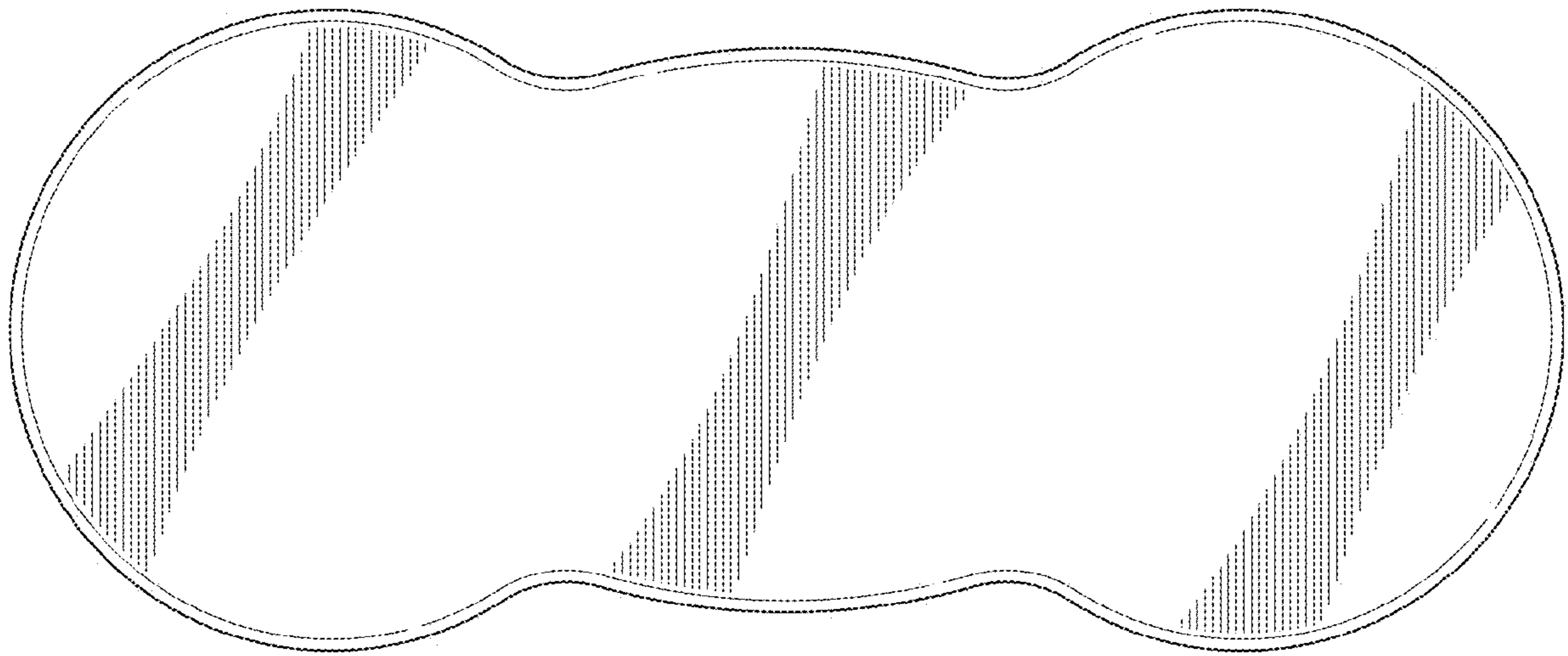


FIG. 7

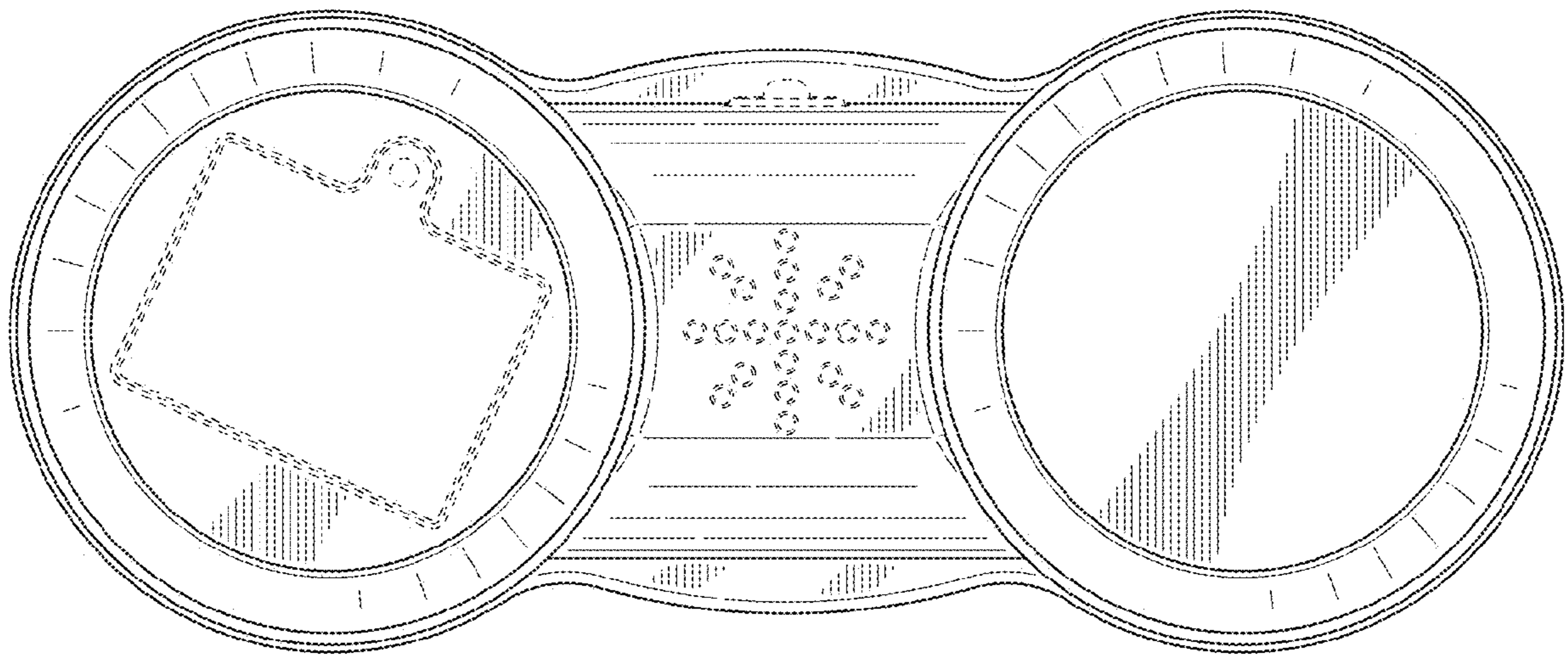


FIG. 8

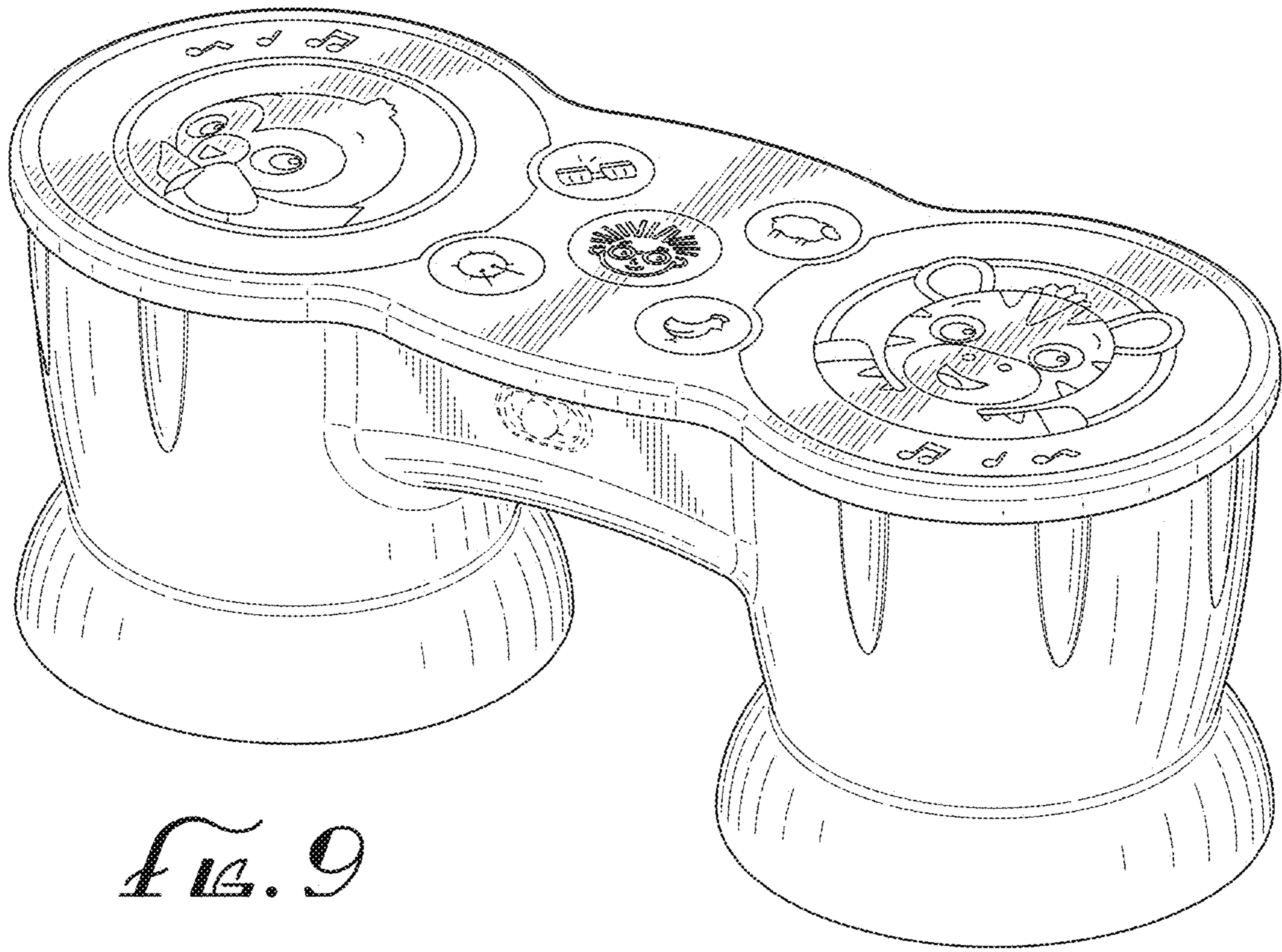


FIG. 9

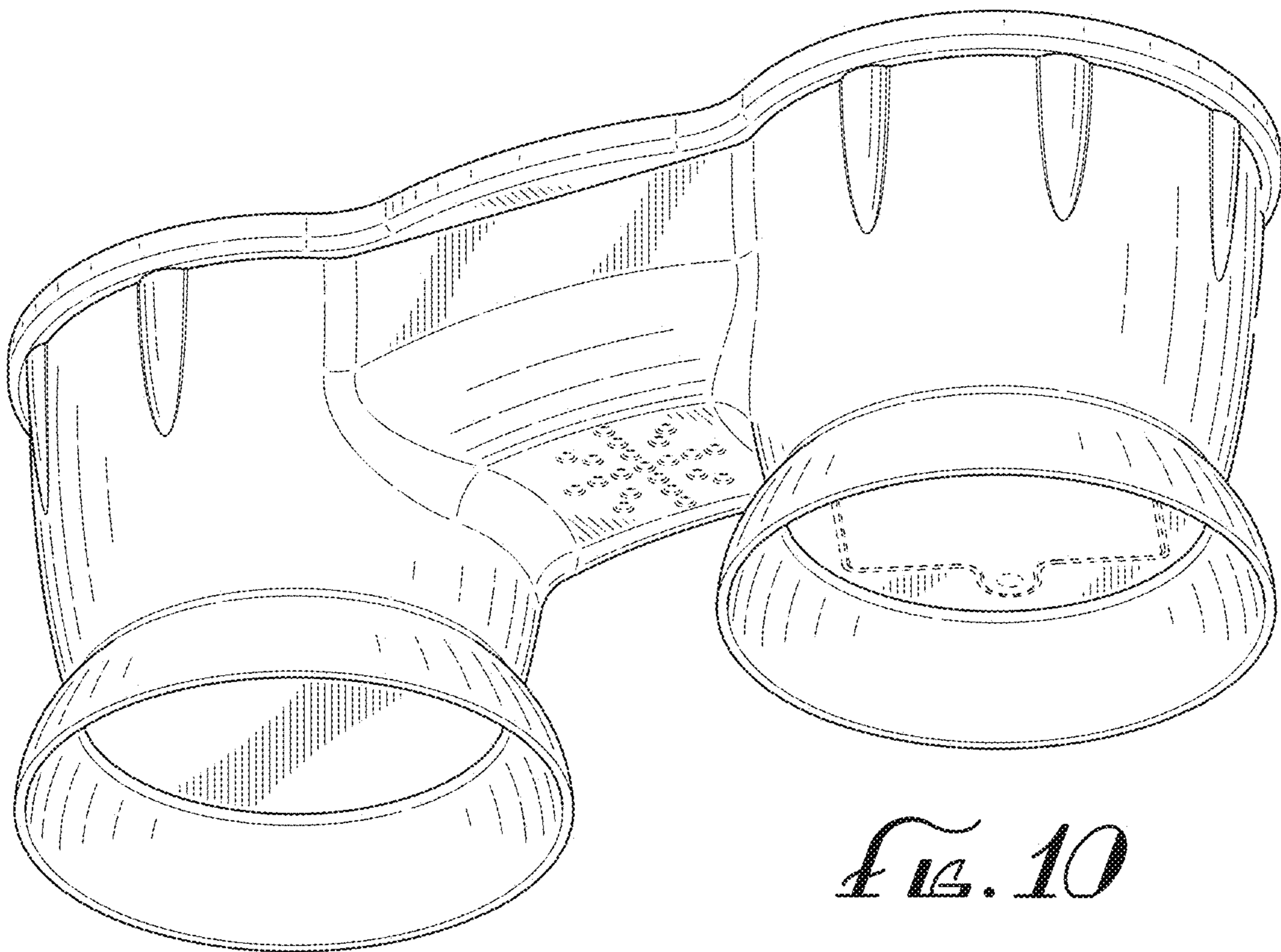


FIG. 10

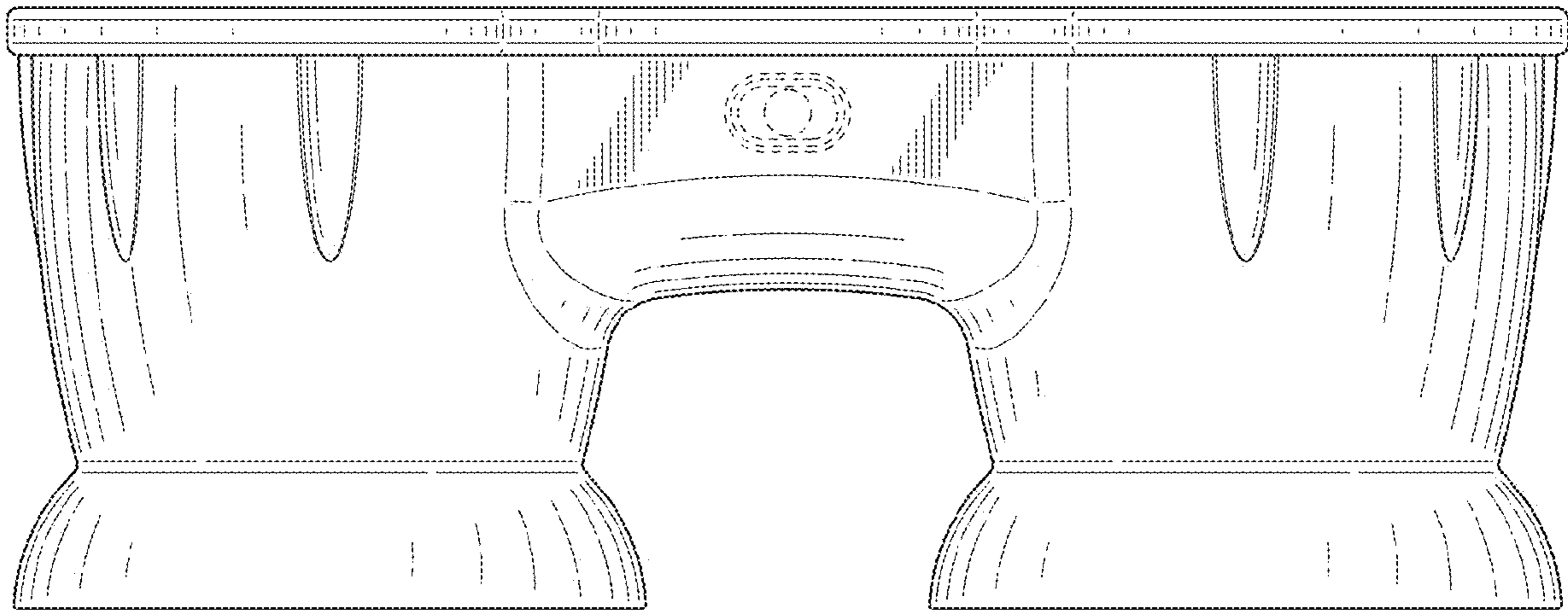


FIG. 11

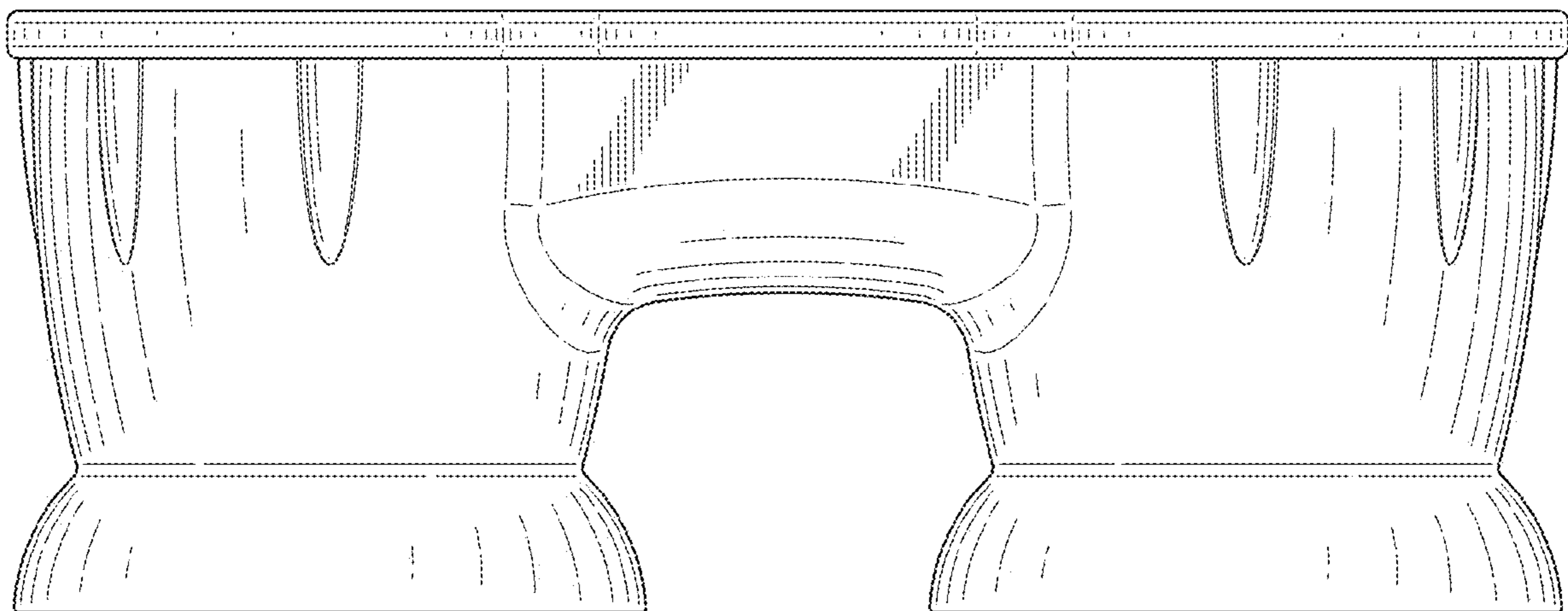


FIG. 12

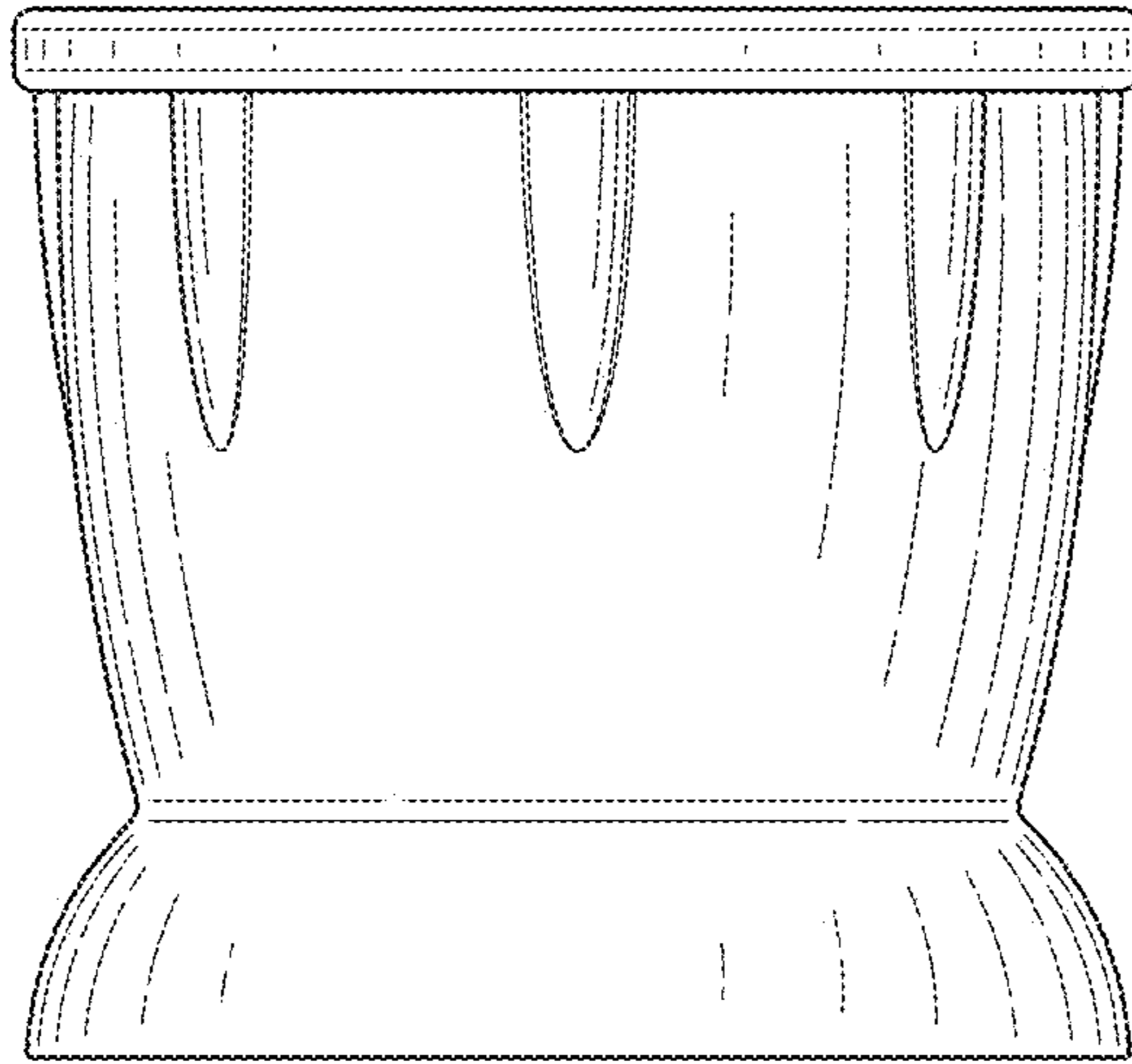


FIG. 13

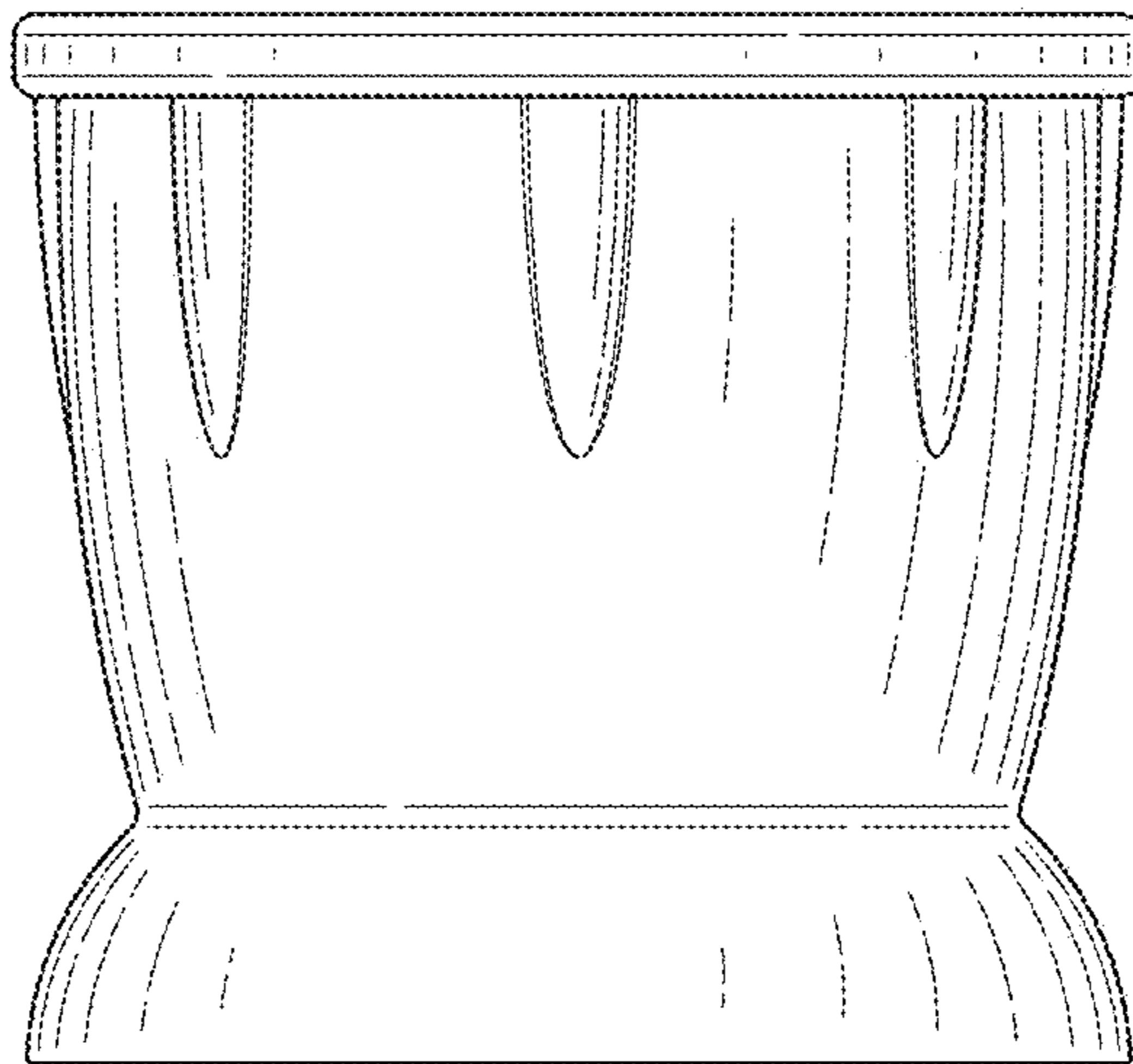


FIG. 14

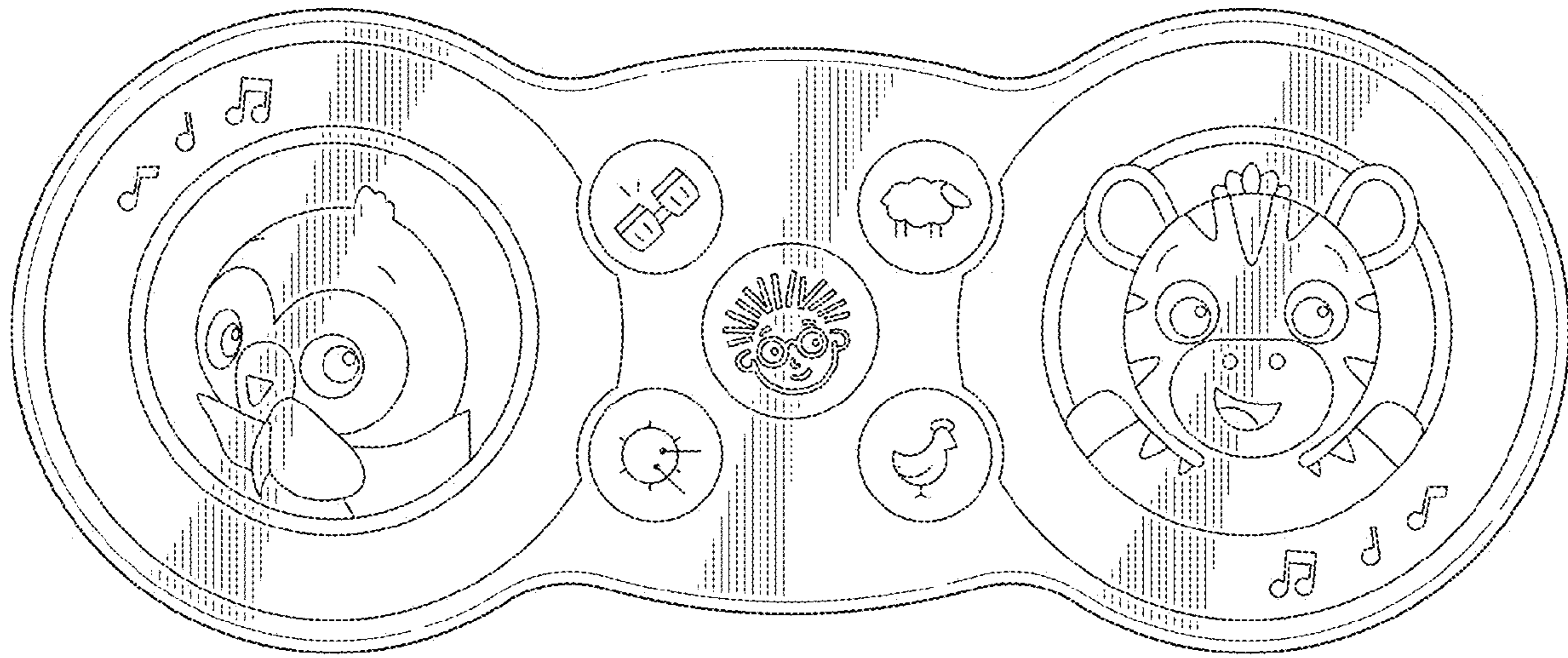


FIG. 15

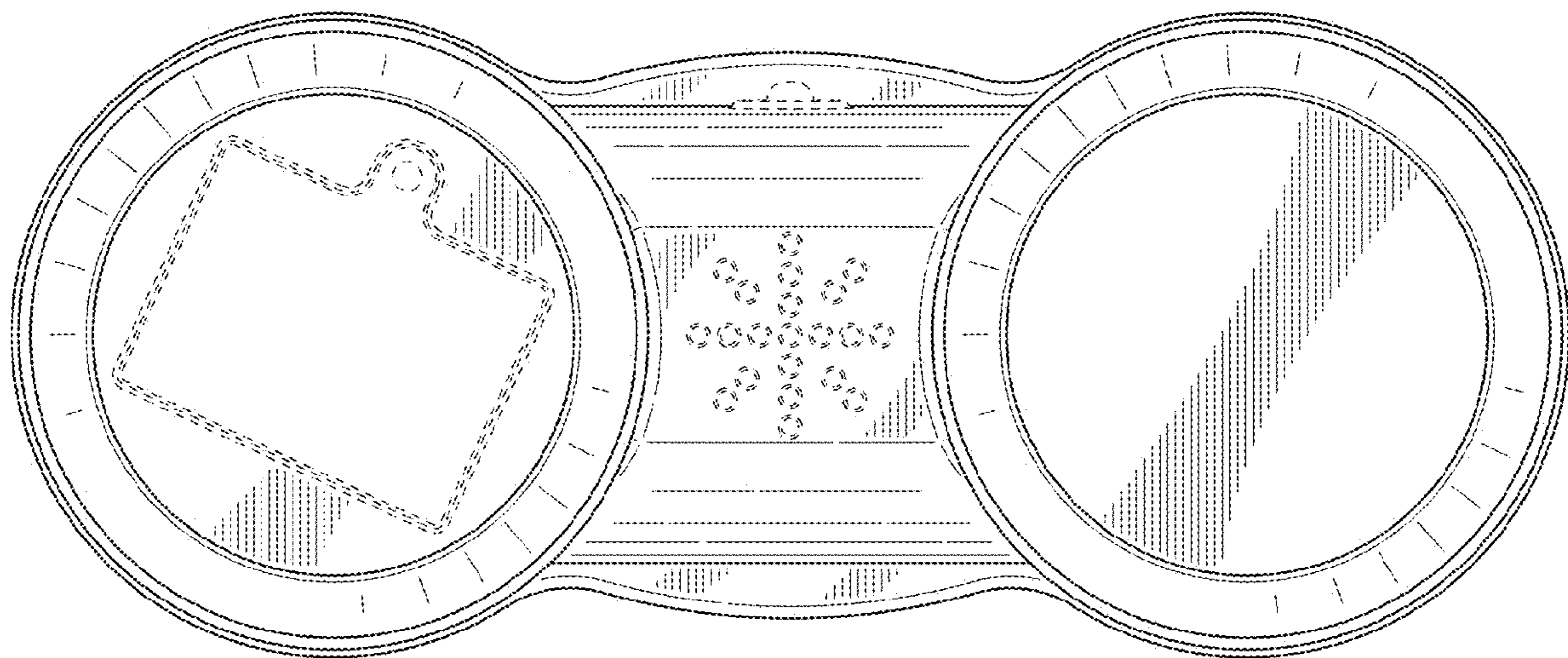


FIG. 16