



US00D979652S

(12) **United States Design Patent** (10) **Patent No.:** **US D979,652 S**  
**Chen et al.** (45) **Date of Patent:** **\*\* Feb. 28, 2023**

(54) **ARROW TARGET**  
(71) Applicants: **Chuxuan Chen**, Chaozhou (CN);  
**Mengye Yu**, Shantou (CN)  
(72) Inventors: **Chuxuan Chen**, Chaozhou (CN);  
**Mengye Yu**, Shantou (CN)  
(\* ) Notice: Patent file contains an affidavit/declaration  
under 37 CFR 1.130(b).

D841,759 S \* 2/2019 Thompson ..... D22/113  
D854,645 S \* 7/2019 Coppi ..... D22/113  
D856,462 S \* 8/2019 Wilson ..... D22/113  
D860,376 S \* 9/2019 Boso ..... D22/113  
D865,065 S \* 10/2019 Georgiadis ..... D19/114  
D882,719 S \* 4/2020 Peelgrane ..... D22/113  
D928,269 S \* 8/2021 Cheng ..... D22/113  
D954,893 S \* 6/2022 Wilson ..... D22/113  
D957,523 S \* 7/2022 Lin ..... D21/302  
(Continued)

(\*\*) Term: **15 Years**

(21) Appl. No.: **29/841,022**

(22) Filed: **Jun. 2, 2022**

(51) **LOC (14) Cl.** ..... **21-01**

(52) **U.S. Cl.**  
USPC ..... **D21/306**

(58) **Field of Classification Search**  
USPC ..... D21/300, 302, 303, 304, 306, 307, 390,  
D21/570, 573, 574, 575, 699, 712, 721;  
D22/108, 109, 110, 113, 114, 199;  
D20/21, 28, 31, 41, 42; D11/200, 24, 43;  
D7/550.1, 554.2, 381  
CPC . F41J 1/00; F41J 1/01; F41J 1/02; F41J 3/02;  
F41J 1/10; F41J 5/00; F41J 5/12; F41J  
5/14; F41J 5/16; F41J 7/00  
See application file for complete search history.

(56) **References Cited**

**U.S. PATENT DOCUMENTS**

D214,896 S \* 8/1969 D' Agostino et al. .... D22/113  
D329,665 S \* 9/1992 Carroll ..... D21/306  
D343,585 S \* 1/1994 Strong ..... D22/113  
5,277,432 A \* 1/1994 Bateman ..... F41J 1/00  
273/407  
D382,599 S \* 8/1997 Starrett ..... D21/306  
D500,788 S \* 1/2005 Kaplan ..... D19/1  
D582,486 S \* 12/2008 Ashida ..... D21/333  
D625,759 S \* 10/2010 Miller ..... D20/42  
D712,003 S \* 8/2014 Bailey ..... D22/113

**OTHER PUBLICATIONS**

“TEMI Bow and Arrow Set for Kids” posted Apr. 3, 2022 [Online],  
[retrieved Aug. 22, 2022]. Retrieved from Internet: <https://amzn.to/3PVyeBX>.\*

(Continued)

*Primary Examiner* — Mehri F Bajoul

(57) **CLAIM**

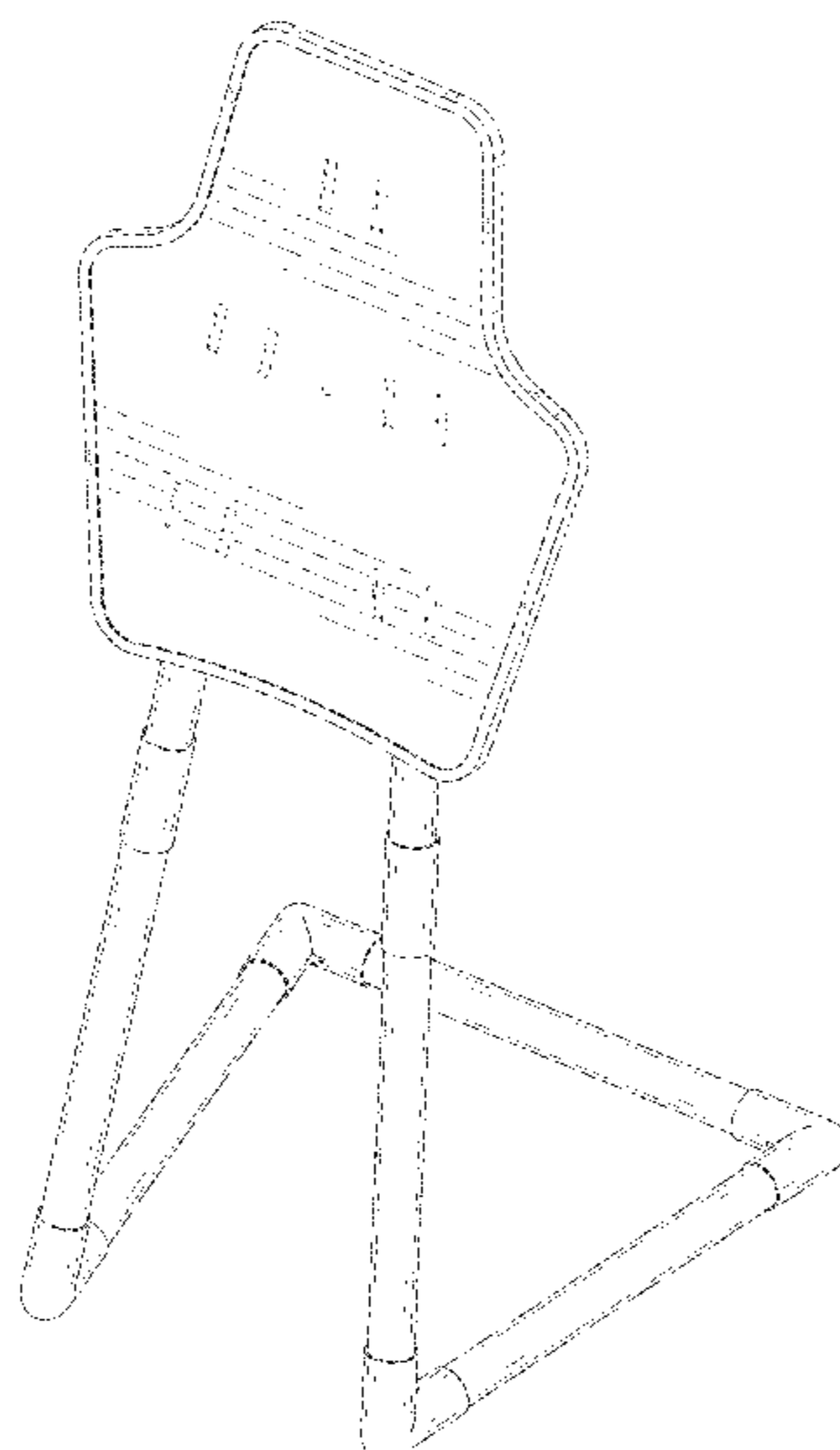
The ornamental design for an arrow target, as shown and  
described.

**DESCRIPTION**

FIG. 1 is a front and top perspective view of an arrow target,  
showing our new design;  
FIG. 2 is a rear and bottom perspective view thereof;  
FIG. 3 is a front elevation view thereof;  
FIG. 4 is a rear elevation view thereof;  
FIG. 5 is a left side elevation view thereof;  
FIG. 6 is a right side elevation view thereof;  
FIG. 7 is a top plan view thereof;  
FIG. 8 is a bottom plan view thereof; and,  
FIG. 9 is an enlarged view of a portion indicated with  
numeric 9 in FIG. 2.

The even length dash-dash broken lines in the drawings  
depict portions of the arrow target that form no part of the  
claimed design. The long-short broken lines depict bounds  
of the magnified portion and form no part of the claimed  
design.

**1 Claim, 9 Drawing Sheets**



(56)

**References Cited**

U.S. PATENT DOCUMENTS

2013/0106059 A1\* 5/2013 Larue ..... F41J 1/10  
273/407  
2015/0362289 A1\* 12/2015 Spear ..... F41J 5/12  
434/23  
2016/0209184 A1\* 7/2016 Anderson ..... F41J 7/04  
2018/0321018 A1\* 11/2018 Wilson ..... F41J 13/02

OTHER PUBLICATIONS

“Doloowee Bow and Arrow for kids” posted Apr. 8, 2022 [Online],  
[retrieved Aug. 22, 2022]. Retrieved from Internet: <https://amzn.to/3T6xGvC>.\*

“Panahan Busur dan Anak Panah Target Stand” posted date unavail-  
able [Online], [retrieved Aug. 22, 2022]. Retrieved from Internet:  
<https://id.aliexpress.com/item/2255800017676524.html?gatewayAdapt=glo2idn>.\*

\* cited by examiner

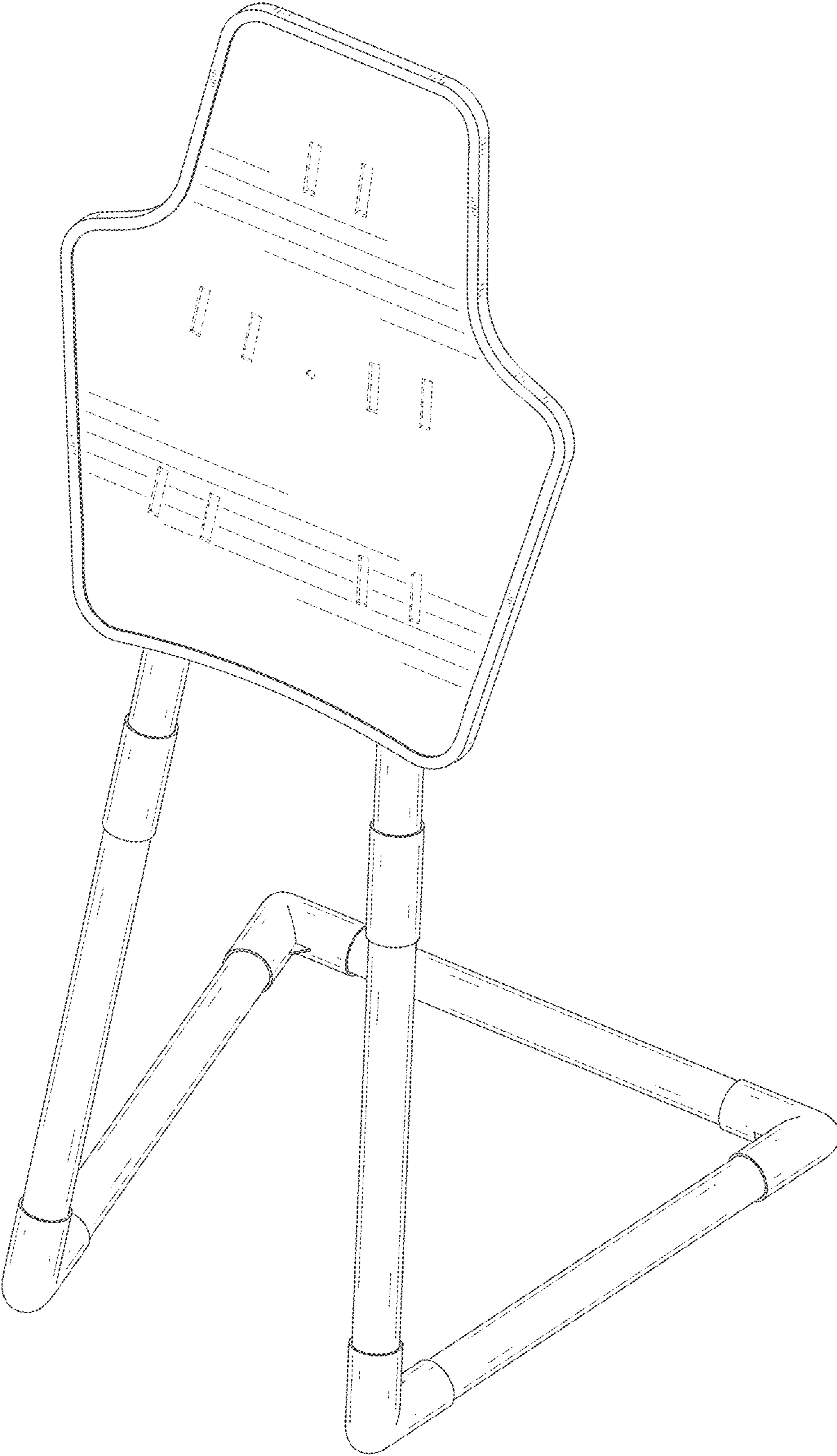


FIG. 1

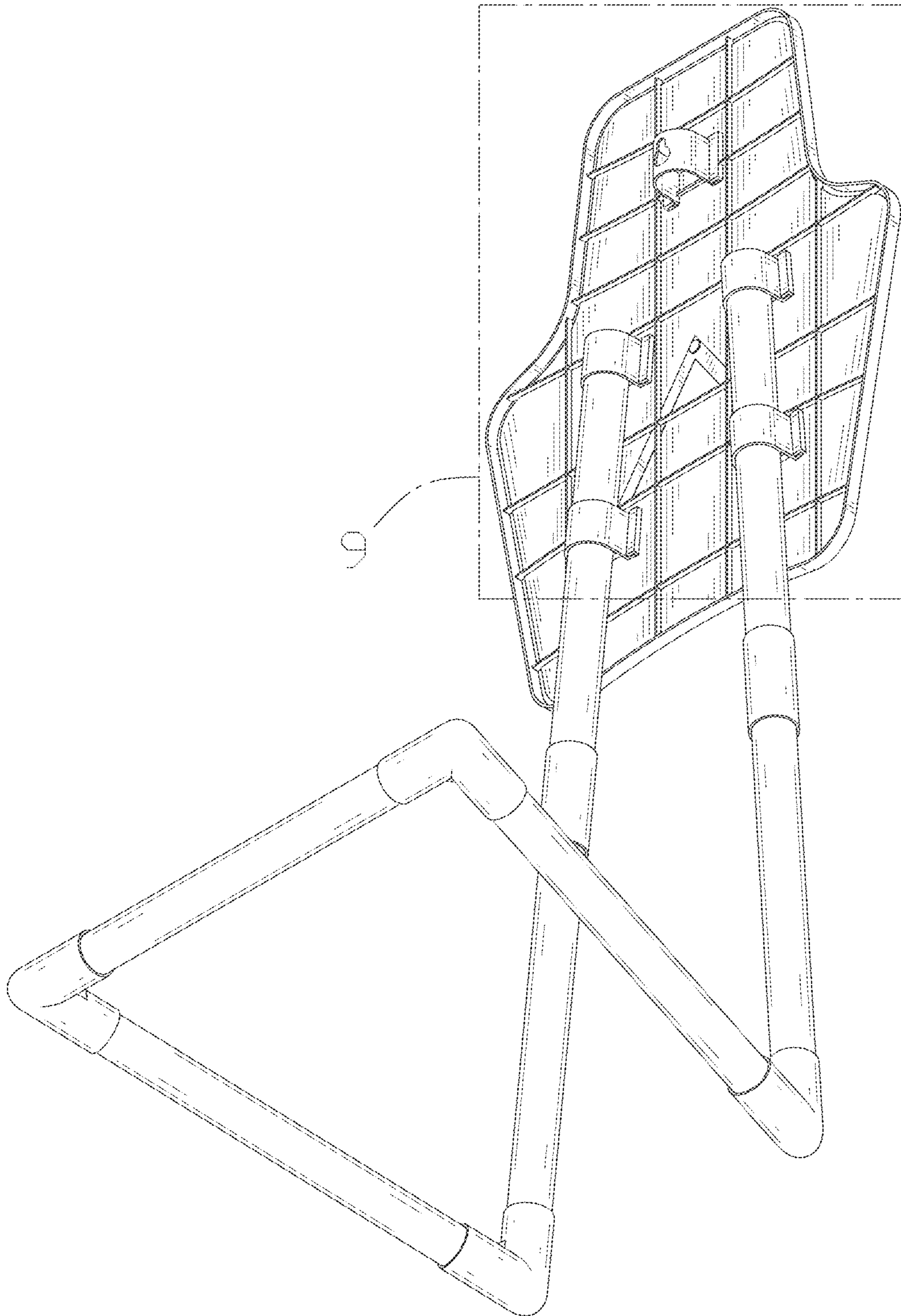


FIG. 2

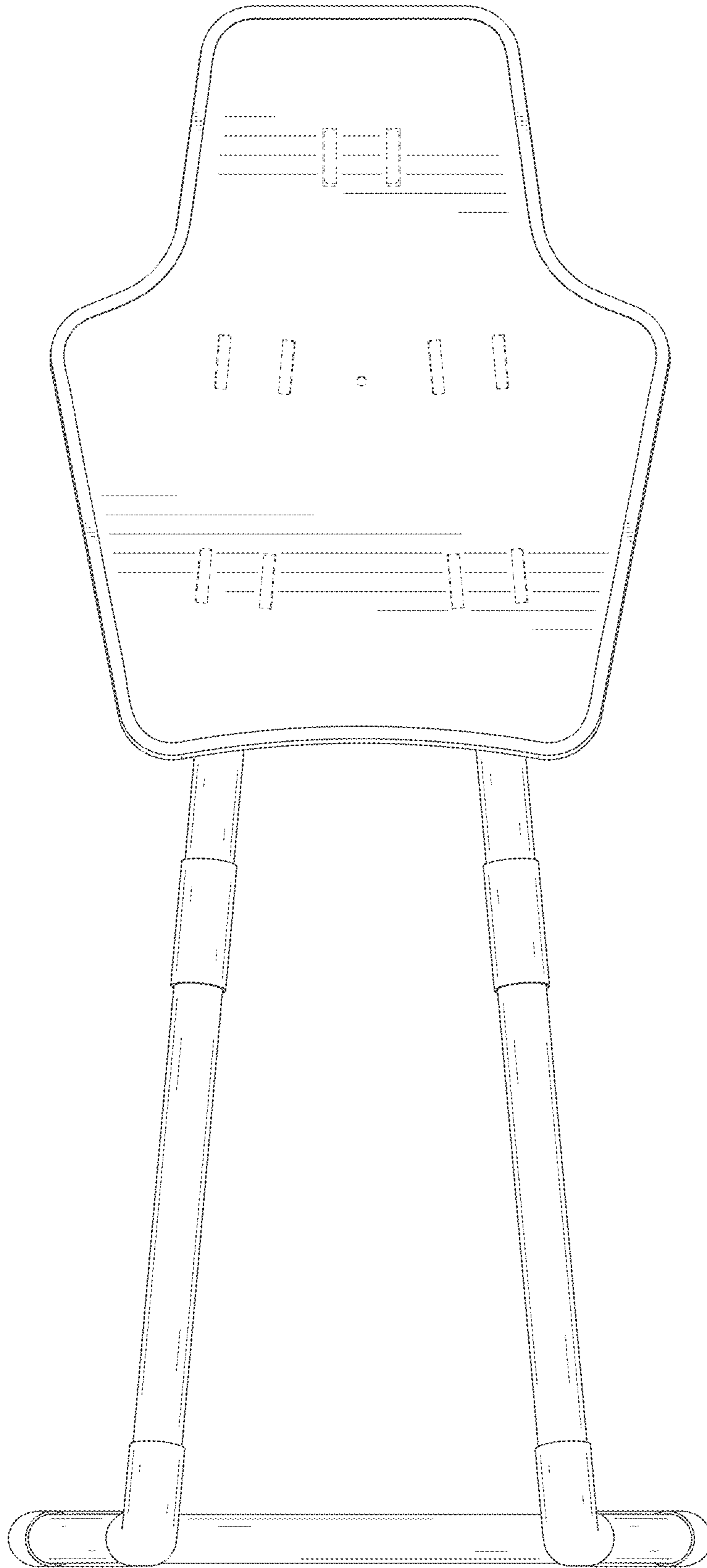


FIG. 3

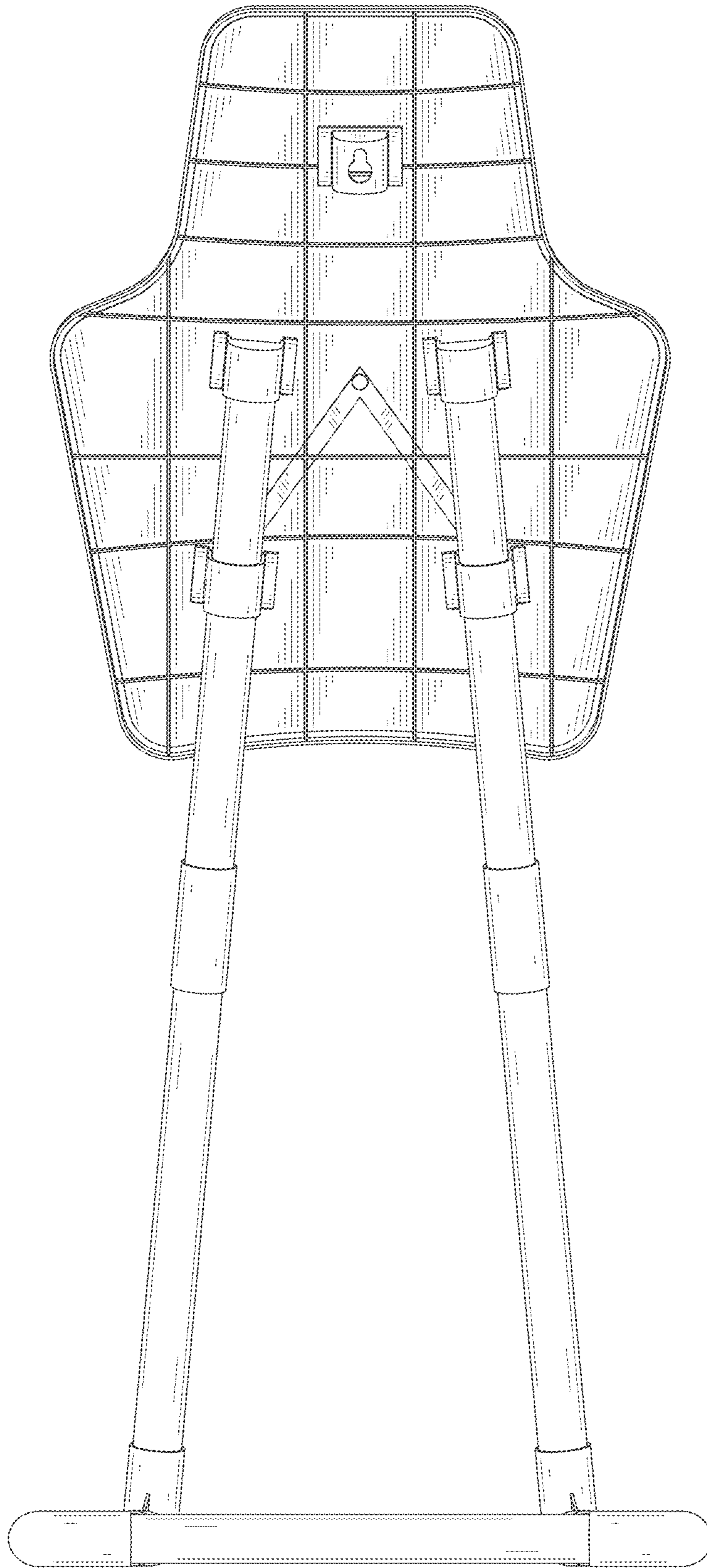


FIG. 4

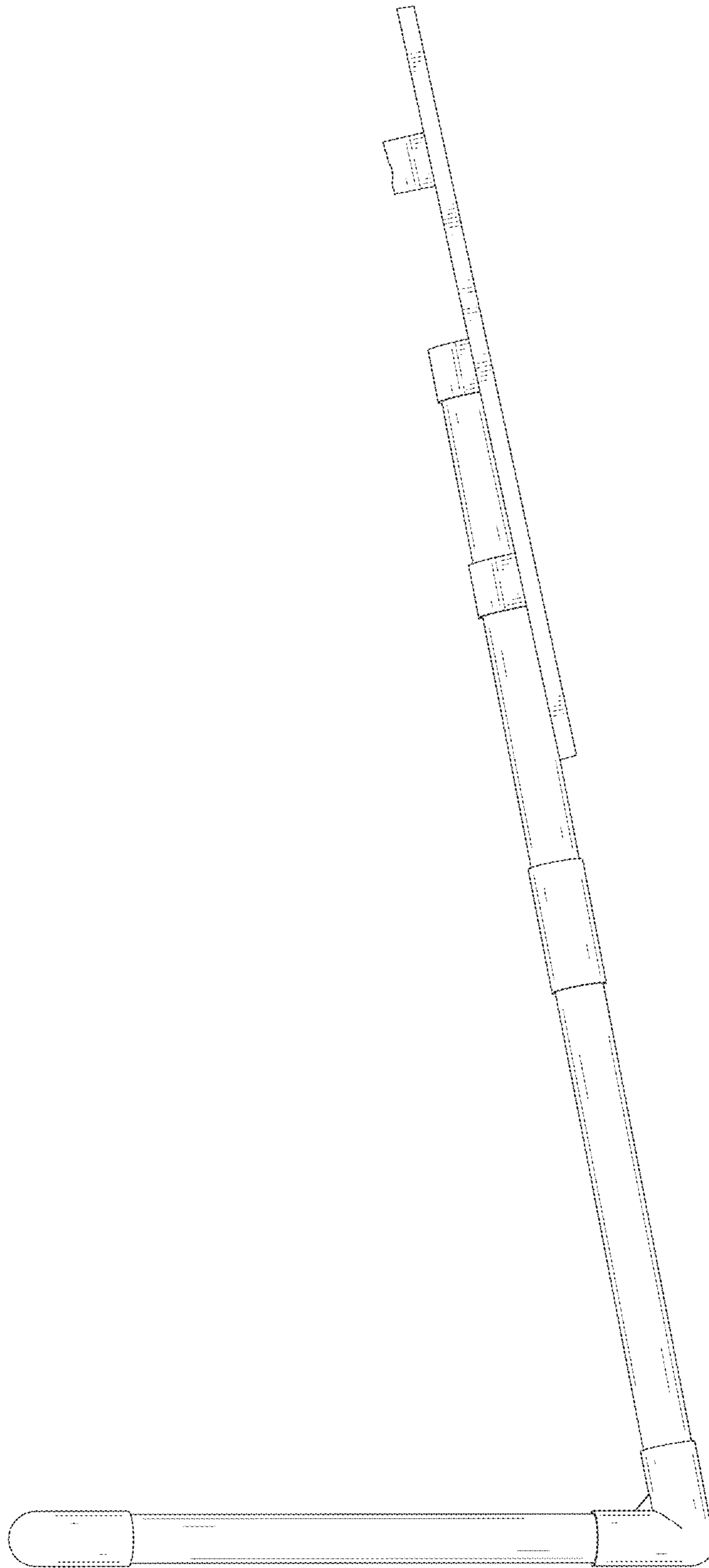


FIG. 5

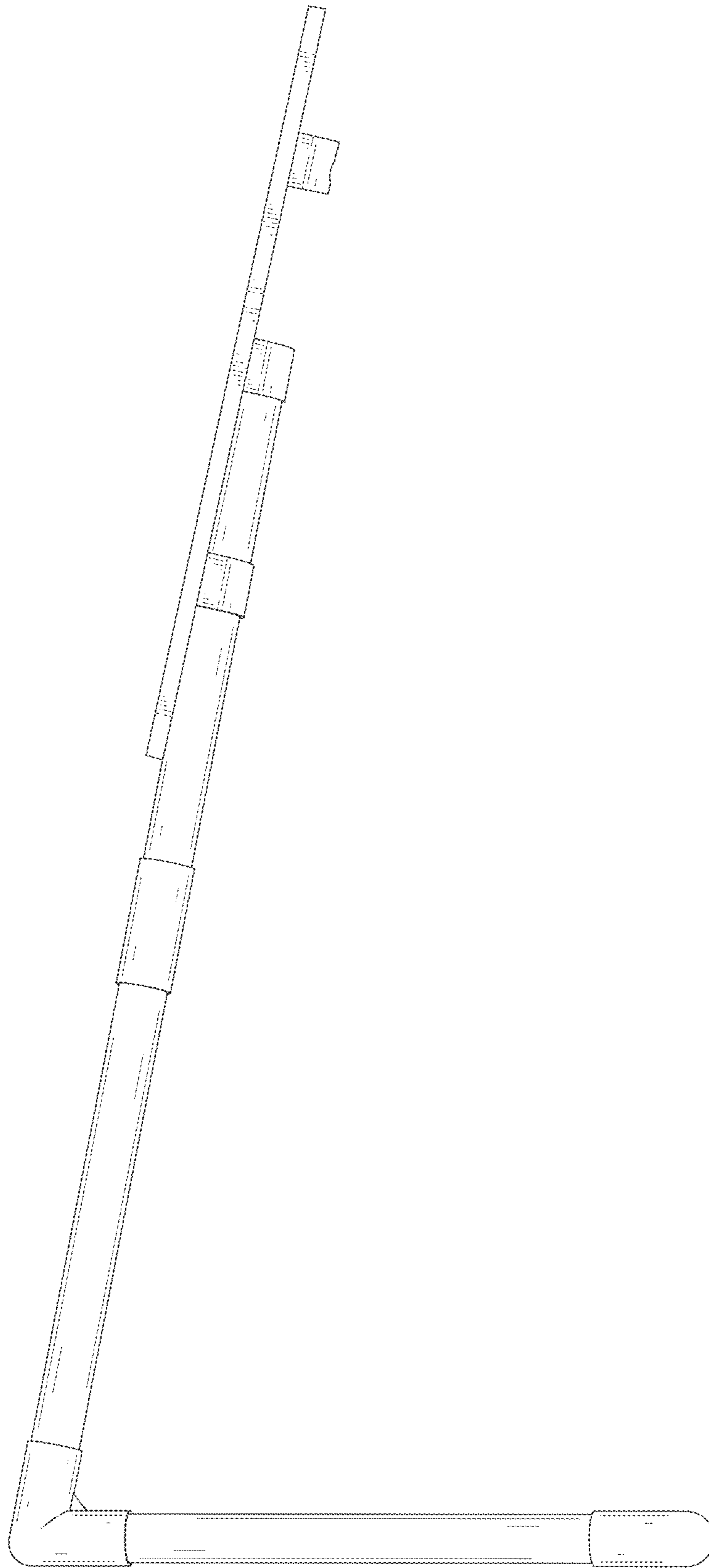


FIG. 6



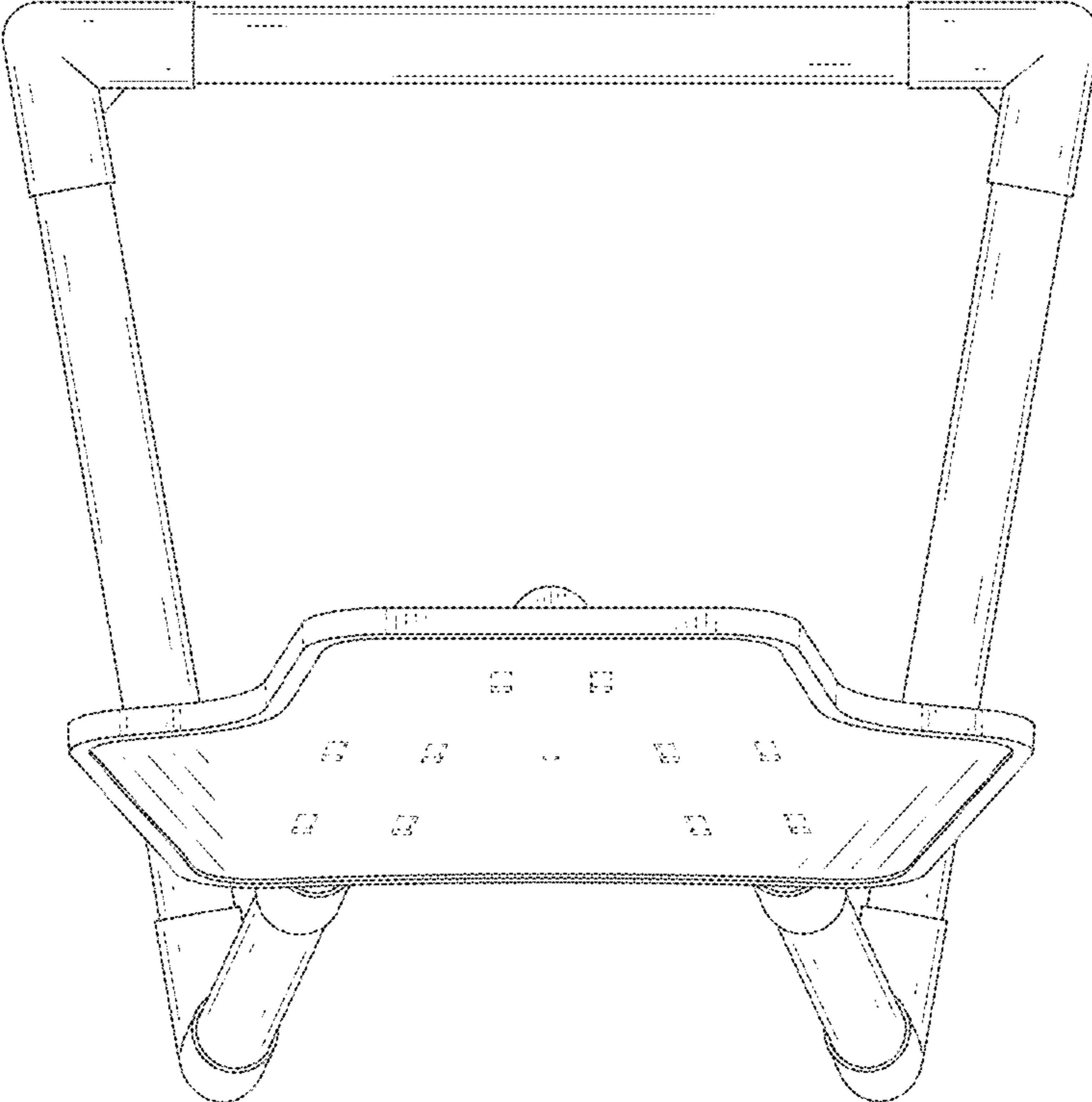


FIG. 7

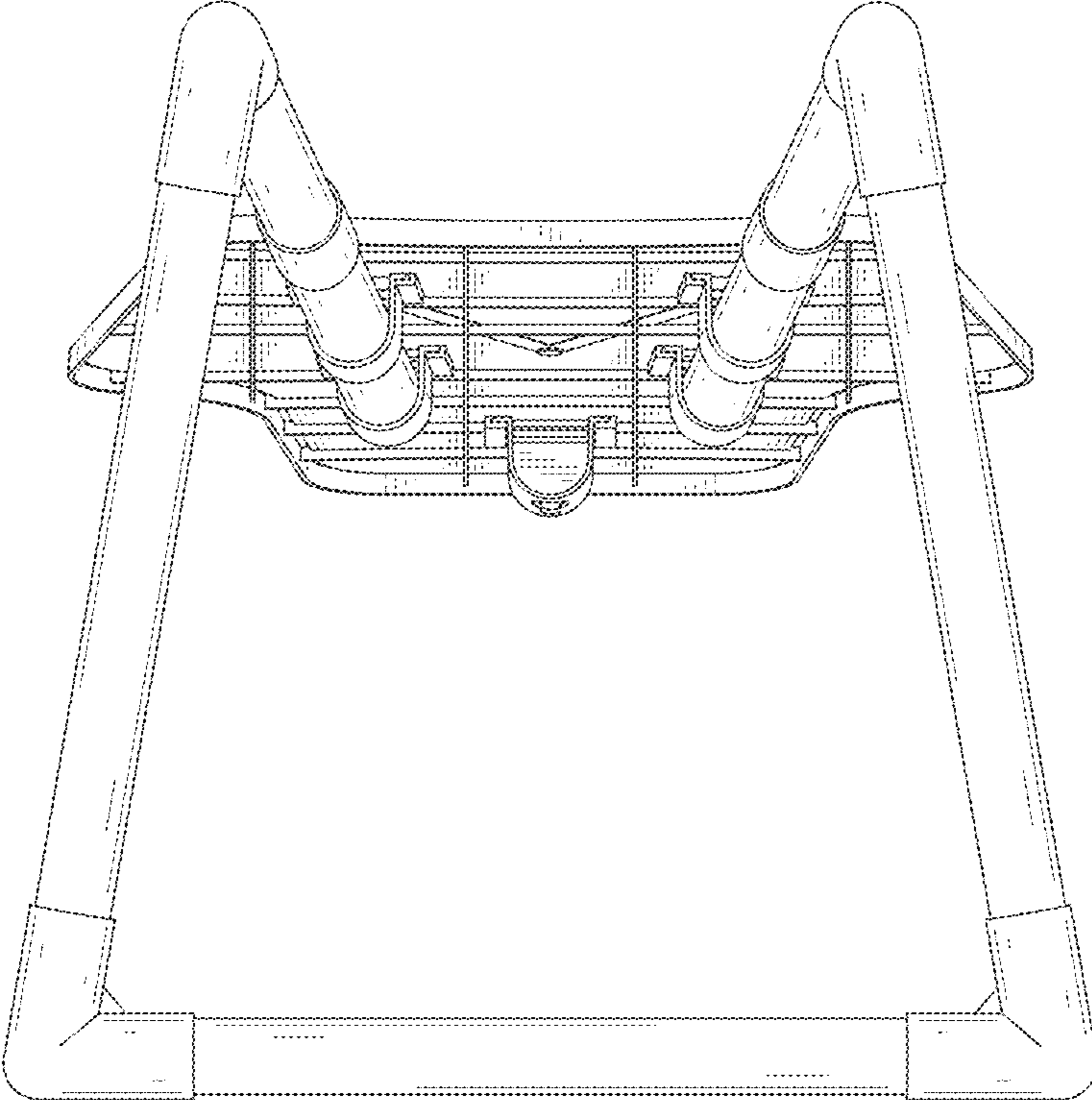


FIG. 8

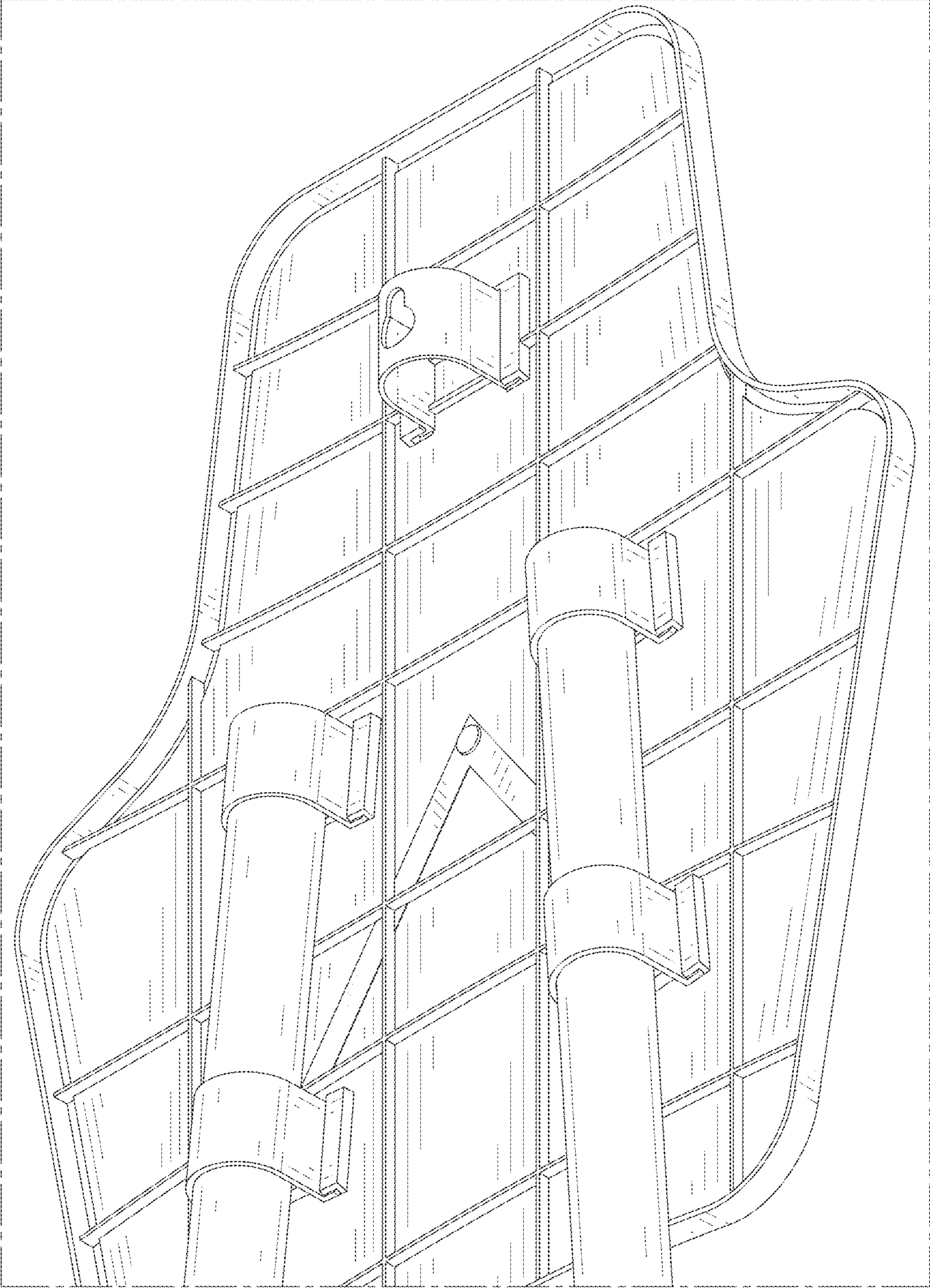


FIG. 9