



US00D979650S

(12) **United States Design Patent**
McKnight

(10) **Patent No.:** **US D979,650 S**
(45) **Date of Patent:** **** Feb. 28, 2023**

- (54) **WEARABLE ADVERTISEMENT DEVICE**
- (71) Applicant: **Michael McKnight**, Mint Hill, NC (US)
- (72) Inventor: **Michael McKnight**, Mint Hill, NC (US)
- (**) Term: **15 Years**
- (21) Appl. No.: **29/739,185**
- (22) Filed: **Jun. 23, 2020**
- (51) **LOC (14) Cl.** **20-03**
- (52) **U.S. Cl.**
USPC **D20/19; D20/27; D20/99**
- (58) **Field of Classification Search**
USPC D19/1, 2, 3, 4, 5, 6, 7, 8, 9, 10, 11, 12; D20/11, 12, 22, 23, 24, 25, 26, 27, 28, D20/31, 40, 99; D24/186
CPC B65D 2203/02; B42D 25/369; B42D 25/346; B42D 25/26; G09F 3/10; G09F 3/00; G09F 3/12; G09F 3/18; G09F 3/185; G09F 3/20; G09F 2003/0208; G09F 3/0288; Y10S 24/11; Y10S 206/813; Y10S 428/914
See application file for complete search history.

- 4,318,234 A * 3/1982 Charles B41M 5/165 40/628
- 4,783,917 A * 11/1988 Smith G09F 3/005 40/633
- 5,153,416 A * 10/1992 Neeley G09F 3/207 235/375
- D334,150 S * 3/1993 Cuddeback D11/5
- 5,401,110 A * 3/1995 Neeley A61B 90/96 400/621
- 5,581,924 A * 12/1996 Peterson G09F 3/005 40/633

(Continued)

OTHER PUBLICATIONS

Low power wearable systems, published online May 26, 2016 at dx.doi.org, site visited May 1, 2022, available online at: <https://ieeexplore.ieee.org/document/7479442> (Year: 2016).*

Primary Examiner — Catherine Ho
(74) *Attorney, Agent, or Firm* — Leavitt Eldredge Law Firm

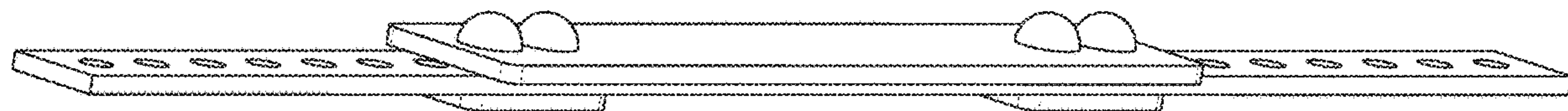
(57) **CLAIM**

The ornamental design for a wearable advertisement device, as shown and described.

DESCRIPTION

FIG. 1 is a perspective view of a wearable advertisement device according to my new design.
FIG. 2 is a left view of the wearable advertisement device.
FIG. 3 is a right view of the wearable advertisement device.
FIG. 4 is a perspective view of the wearable advertisement device in an alternate position.
FIG. 5 is a top view of the wearable advertisement device.
FIG. 6 is a bottom view of the wearable advertisement device; and,
FIG. 7 is an exploded top perspective view of the wearable advertisement device.

1 Claim, 5 Drawing Sheets



- (56) **References Cited**
U.S. PATENT DOCUMENTS
2,641,074 A * 6/1953 Richmond G09F 3/005 63/3
2,871,592 A * 2/1959 Polzin G09F 3/005 24/574.1
2,954,621 A * 10/1960 Mosher, Jr. G09F 3/005 40/633
3,020,657 A * 2/1962 Clark G09F 3/005 40/633
4,233,715 A * 11/1980 McDermott G09F 3/005 40/640

(56)

References Cited

U.S. PATENT DOCUMENTS

6,055,756 A *	5/2000	Aoki	G09F 3/005 292/307 A	8,250,797 B2 *	8/2012	Padgett	G09F 3/005 63/3.2
D428,353 S *	7/2000	Duncan	D11/5	8,276,298 B2 *	10/2012	Padgett	A44C 5/0069 63/3.2
6,104,295 A *	8/2000	Gaisser	G08B 3/1083 340/572.9	D680,708 S *	4/2013	Kosh	D2/639
6,922,148 B2 *	7/2005	Despotis	G08B 21/02 340/568.1	8,541,083 B2 *	9/2013	Kline	G06K 19/07749 428/40.1
D519,052 S *	4/2006	Watanabe	D11/5	D703,755 S *	4/2014	Joseph	D11/5
D519,871 S *	5/2006	Curtis	D20/99	D712,295 S *	9/2014	Ennis	D20/22
D524,184 S *	7/2006	Watanabe	D11/5	D729,682 S *	5/2015	Daniel	D11/5
7,168,626 B2 *	1/2007	Lerch	G07C 9/28 340/572.1	9,235,994 B1 *	1/2016	Waltersdorf	G09F 3/201
D542,353 S *	5/2007	Henley	D20/19	D797,728 S *	9/2017	Sandock	D14/344
D543,589 S *	5/2007	Henley	D20/22	D803,318 S *	11/2017	Ennis	D20/22
D584,352 S *	1/2009	Ali	D19/1	D827,478 S *	9/2018	Samardzija	D11/3
D595,348 S *	6/2009	Joseph	D20/27	D839,963 S *	2/2019	Canchola	D20/22
D597,436 S *	8/2009	Bowdish	D11/4	D914,641 S *	3/2021	Bowers	D14/218
D600,154 S *	9/2009	Ali	D11/5	D916,081 S *	4/2021	Zou	D14/344
7,607,249 B2 *	10/2009	Singleton	G06K 19/07762 40/633	11,232,719 B1 *	1/2022	Kraft	G09F 3/10
D608,389 S *	1/2010	Bishop	D19/1	2005/0108912 A1 *	5/2005	Bekker	G09F 3/005 40/633
RE41,822 E *	10/2010	Henley	D20/19	2005/0177925 A1 *	8/2005	Peeples	A41D 23/00 2/321
7,942,674 B2 *	5/2011	Murphy	G09B 1/28 434/156	2006/0087437 A1 *	4/2006	Lerch	G06K 19/07749 340/568.2
D652,756 S *	1/2012	Lans	D11/3	2006/0230661 A1 *	10/2006	Bekker	G09F 3/005 40/633
D653,148 S *	1/2012	Bekker	D11/3	2008/0250688 A1 *	10/2008	Greer	G09F 3/005 40/633
8,117,777 B2 *	2/2012	Chadwick	G09F 3/005 40/633	2009/0282717 A1 *	11/2009	Jain	G09F 3/005 40/633
8,151,502 B2 *	4/2012	Waltersdorf	G09F 3/005 40/633	2014/0032222 A1 *	1/2014	Vetter	G16H 10/65 704/274

* cited by examiner

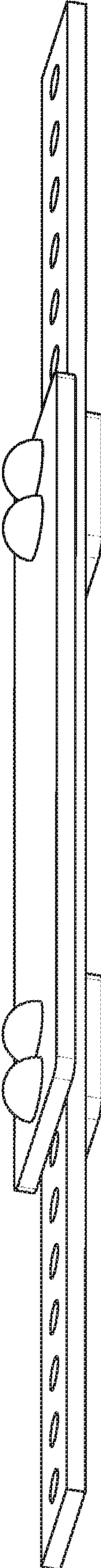


FIG. 1

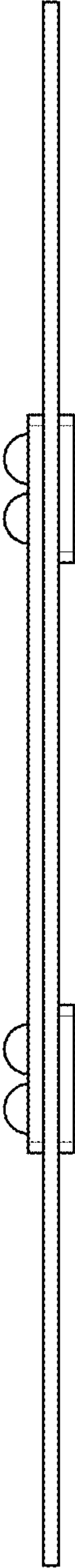


FIG. 2

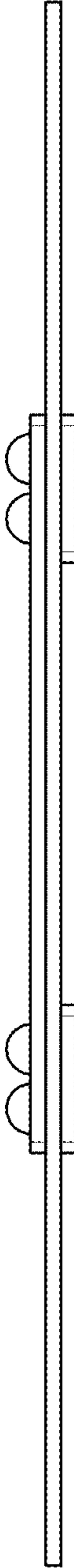


FIG. 3

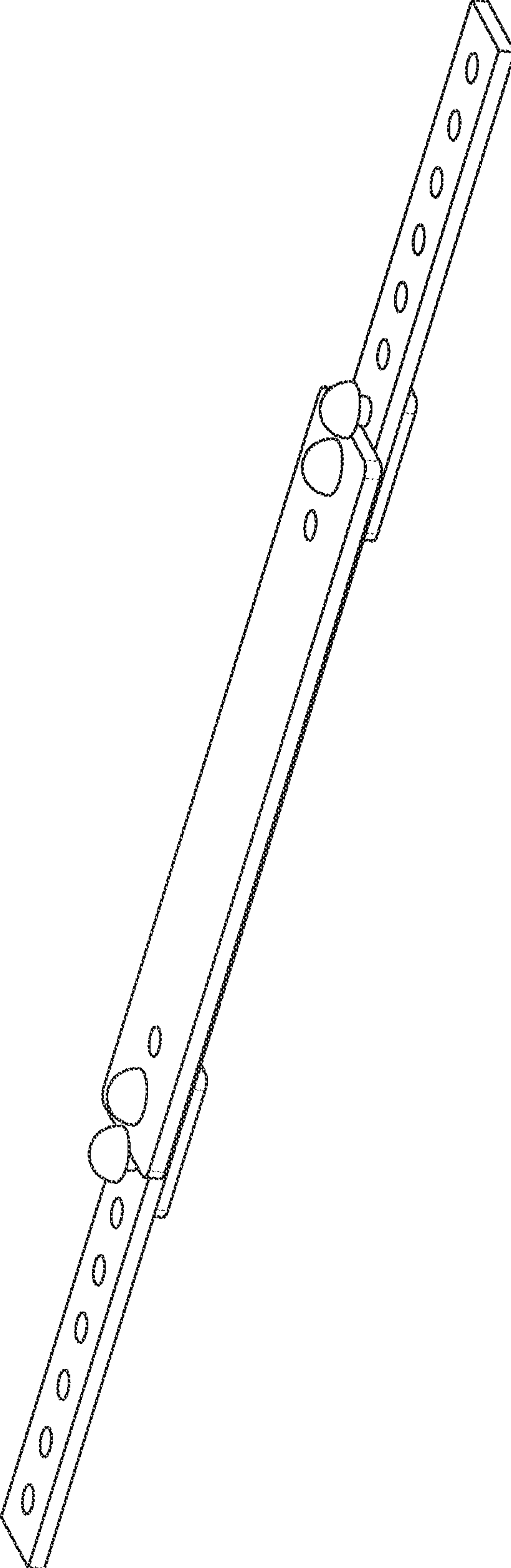


FIG. 4

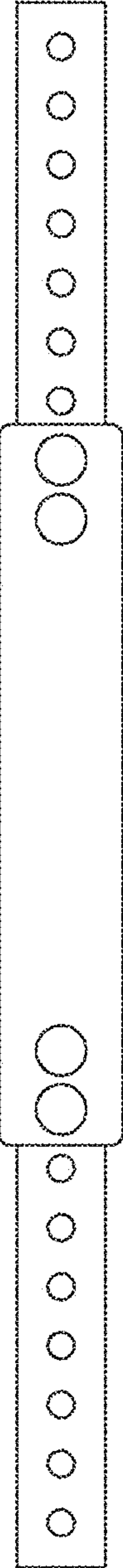


FIG. 5

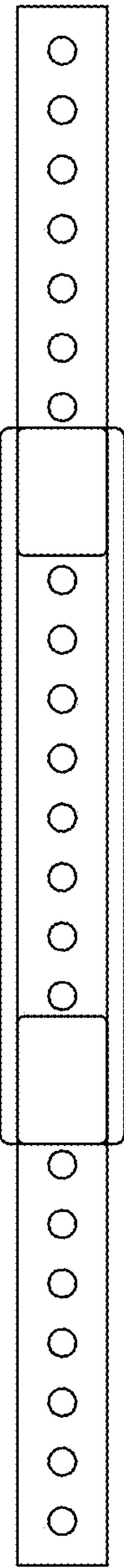


FIG. 6

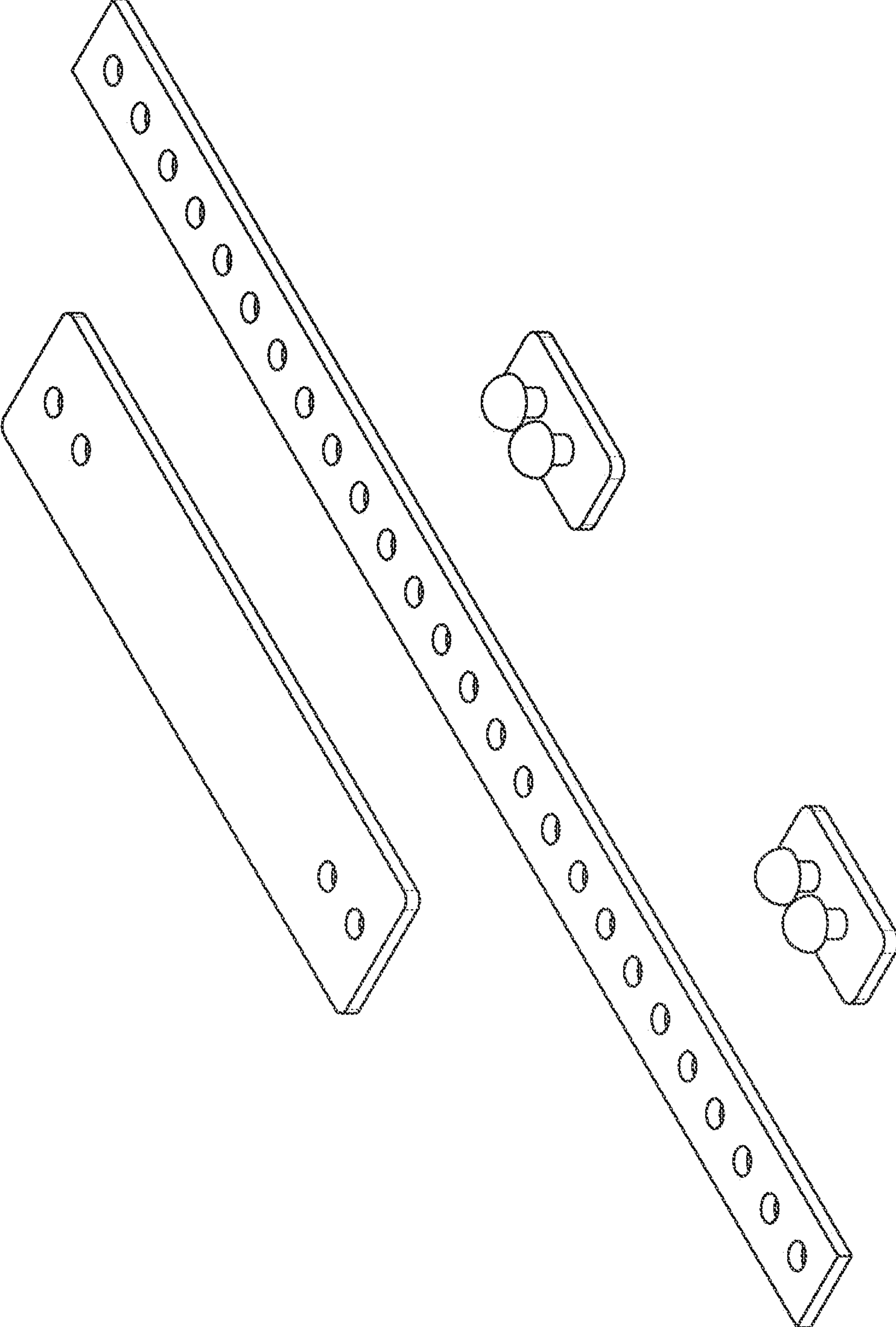


FIG. 7