



US00D979649S

(12) **United States Design Patent** (10) **Patent No.:** **US D979,649 S**  
**Syby et al.** (45) **Date of Patent:** **\*\* Feb. 28, 2023**

(54) **MEDICAL PRODUCT STORAGE DEVICE**

(71) Applicant: **Ethicon, Inc.**, Somerville, NJ (US)

(72) Inventors: **Jonathan Syby**, Somerville, NJ (US);  
**Matthew Chila**, Somerville, NJ (US);  
**David Wade**, Somerville, NJ (US);  
**Kevin McHale**, Knoxville, TN (US);  
**Alex Weber**, Knoxville, TN (US)

(73) Assignee: **Ethicon, Inc.**, Raritan, NJ (US)

(\*\*) Term: **15 Years**

(21) Appl. No.: **29/753,856**

(22) Filed: **Oct. 2, 2020**

(51) **LOC (14) Cl.** ..... **20-01**

(52) **U.S. Cl.**  
USPC ..... **D20/4; D14/900; D6/515**

(58) **Field of Classification Search**  
USPC ..... D6/512, 513, 514, 515, 657, 658, 659,  
D6/660, 661, 663, 664, 672, 673, 674,  
D6/675, 675.1, 675.3; D14/125, 126,  
D14/129, 302, 900; D15/145; D20/1, 2,  
D20/3, 4, 5, 6, 8, 9  
CPC ..... G07F 9/001; G07F 9/009; G07F 9/006;  
G07F 5/22; G07F 11/005; G07F 11/007;  
G07F 11/62; G07F 11/42; G07F 11/60;  
G06Q 10/087; G06Q 10/0875; G06Q  
10/30; G06Q 99/00; G16H 20/13; B65B  
5/04

See application file for complete search history.

(56) **References Cited**

**U.S. PATENT DOCUMENTS**

D380,497 S \* 7/1997 Lee ..... D20/4  
D402,829 S \* 12/1998 Jay ..... D6/675.1  
D429,765 S \* 8/2000 Saito ..... D20/4  
D519,752 S \* 5/2006 LeBlanc ..... D6/661  
D567,273 S \* 4/2008 Okamoto ..... D15/145

D623,208 S \* 9/2010 Parrish ..... D20/4  
D639,322 S \* 6/2011 Daniels ..... D15/145  
D662,954 S \* 7/2012 Parrish ..... D20/4  
D664,171 S \* 7/2012 Gentry, Jr. .... D20/4  
D666,646 S \* 9/2012 Gentry, Jr. .... D20/4  
D831,115 S \* 10/2018 Chambers ..... D20/1  
10,318,917 B1 6/2019 Goldstein et al.  
D886,096 S \* 6/2020 Mangeot ..... D14/307  
10,709,302 B2 \* 7/2020 Roy ..... A61L 2/26  
D901,566 S \* 11/2020 Bonpain ..... D15/145  
2003/0019881 A1 \* 1/2003 Kim ..... G07F 11/62  
221/92  
2003/0056467 A1 \* 3/2003 Kim ..... B65B 5/103  
53/550

(Continued)

**OTHER PUBLICATIONS**

AITA suture hub, posted at youtube.com, posted on Jan. 25, 2021,  
site visited Jul. 12, 2022. online, available from internet: <https://www.youtube.com/watch?v=KNDj64kwWsg> (Year: 2021).\*

(Continued)

*Primary Examiner* — Catherine Ho

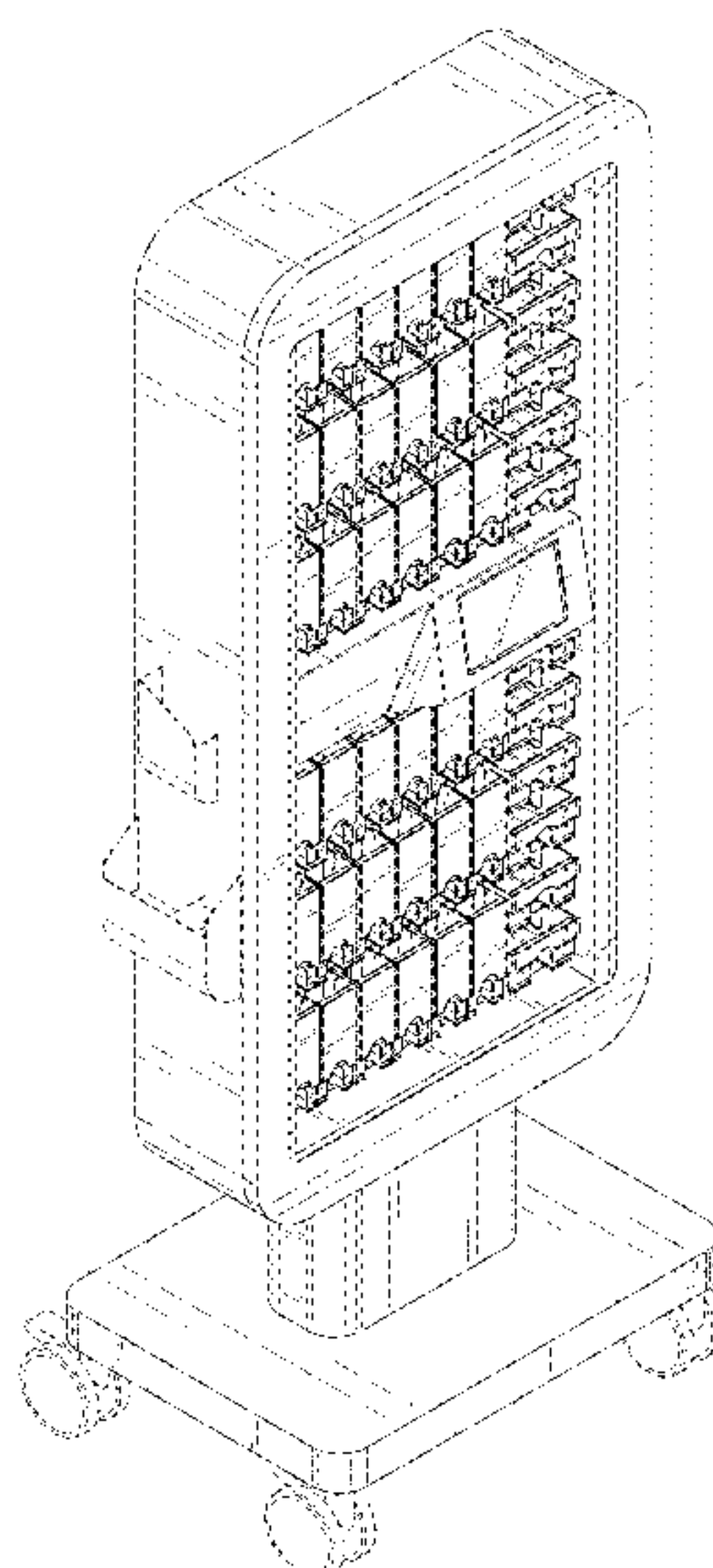
(57) **CLAIM**

The ornamental design for a medical product storage device,  
as shown and described.

**DESCRIPTION**

FIG. 1 is a top perspective view of the medical product  
storage device showing our new and ornamental design;  
FIG. 2 is a bottom perspective view thereof;  
FIG. 3 is a front elevation view thereof;  
FIG. 4 is a back elevation view thereof;  
FIG. 5 is a side elevation view thereof;  
FIG. 6 is an alternate side elevation view thereof;  
FIG. 7 is a top plan view thereof; and,  
FIG. 8 is a bottom plan view thereof.  
The broken lines show portions of the article that form no  
part of the claimed design.

**1 Claim, 8 Drawing Sheets**



(56)

**References Cited**

U.S. PATENT DOCUMENTS

2005/0122010 A1\* 6/2005 Kobayashi ..... A47B 88/956  
312/209  
2009/0173087 A1\* 7/2009 Cora ..... F24V 99/00  
261/109  
2009/0272758 A1\* 11/2009 Karwacki, Jr. .... G07F 17/0092  
221/282  
2010/0010666 A1\* 1/2010 Adams ..... G07F 17/0092  
700/231  
2011/0054668 A1 3/2011 Holmes et al.  
2011/0178634 A1\* 7/2011 Yuyama ..... G07F 11/18  
221/124  
2011/0192893 A1\* 8/2011 Waugh ..... B65G 47/74  
235/487  
2011/0305545 A1\* 12/2011 Davis ..... B25J 15/00  
414/800  
2014/0117038 A1\* 5/2014 Kim ..... G07F 11/38  
221/133

2014/0261883 A1\* 9/2014 Dent ..... G16H 20/13  
141/192  
2014/0318078 A1\* 10/2014 Kondo ..... G16H 20/13  
382/141  
2014/0332552 A1\* 11/2014 Kim ..... G07F 11/70  
221/133  
2016/0147977 A1\* 5/2016 Adams ..... G07F 9/001  
700/232  
2018/0305123 A1 10/2018 Lert, Jr. et al.  
2020/0043272 A1\* 2/2020 Vazquez ..... G07F 11/1653  
2021/0225118 A1\* 7/2021 Bouchelle ..... A61J 7/02  
2021/0367437 A1\* 11/2021 Butler ..... G07C 9/00174  
2021/0374658 A1\* 12/2021 Chila ..... G07F 9/026

OTHER PUBLICATIONS

International Search Report and Written Opinion dated Aug. 17, 2021 received in International Application No. PCT/IB2021/054487.

\* cited by examiner



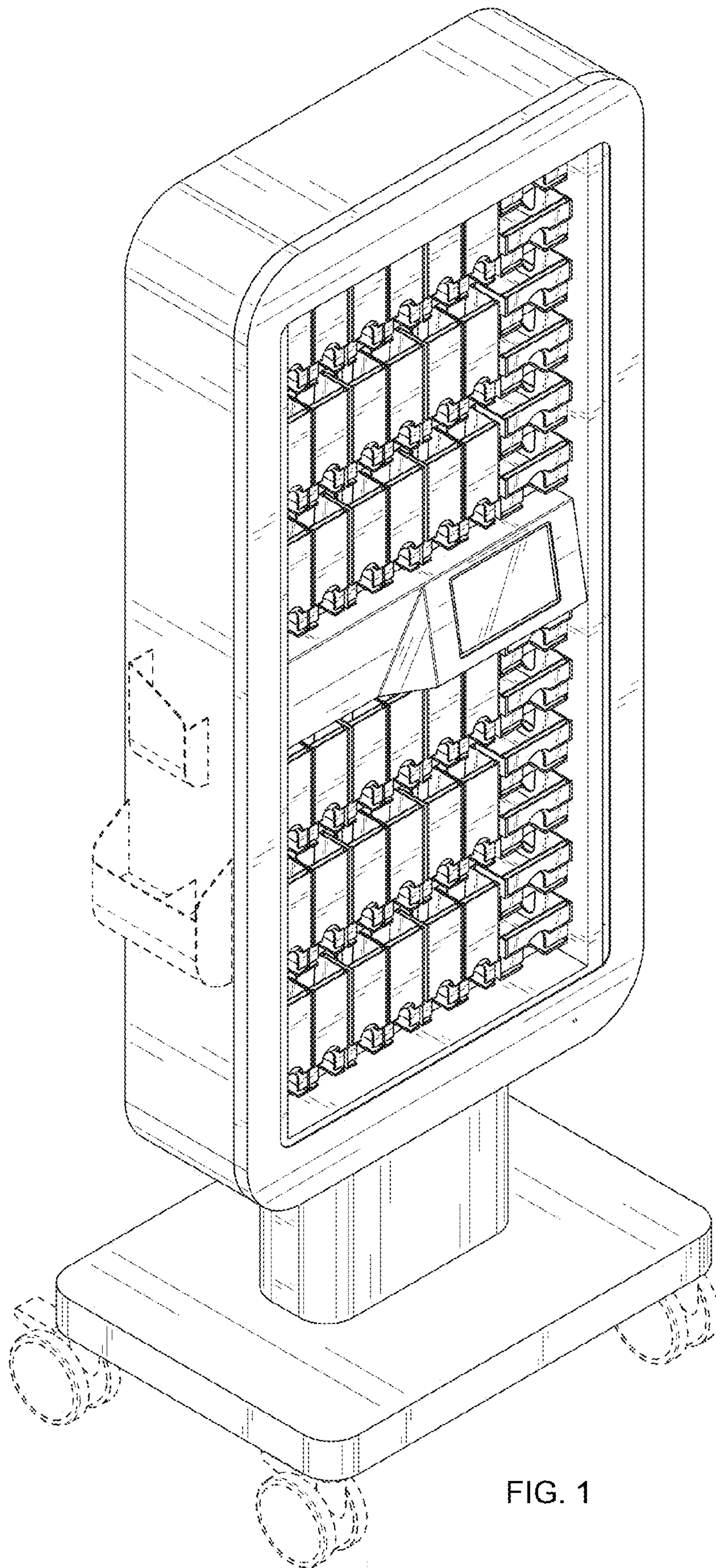


FIG. 1

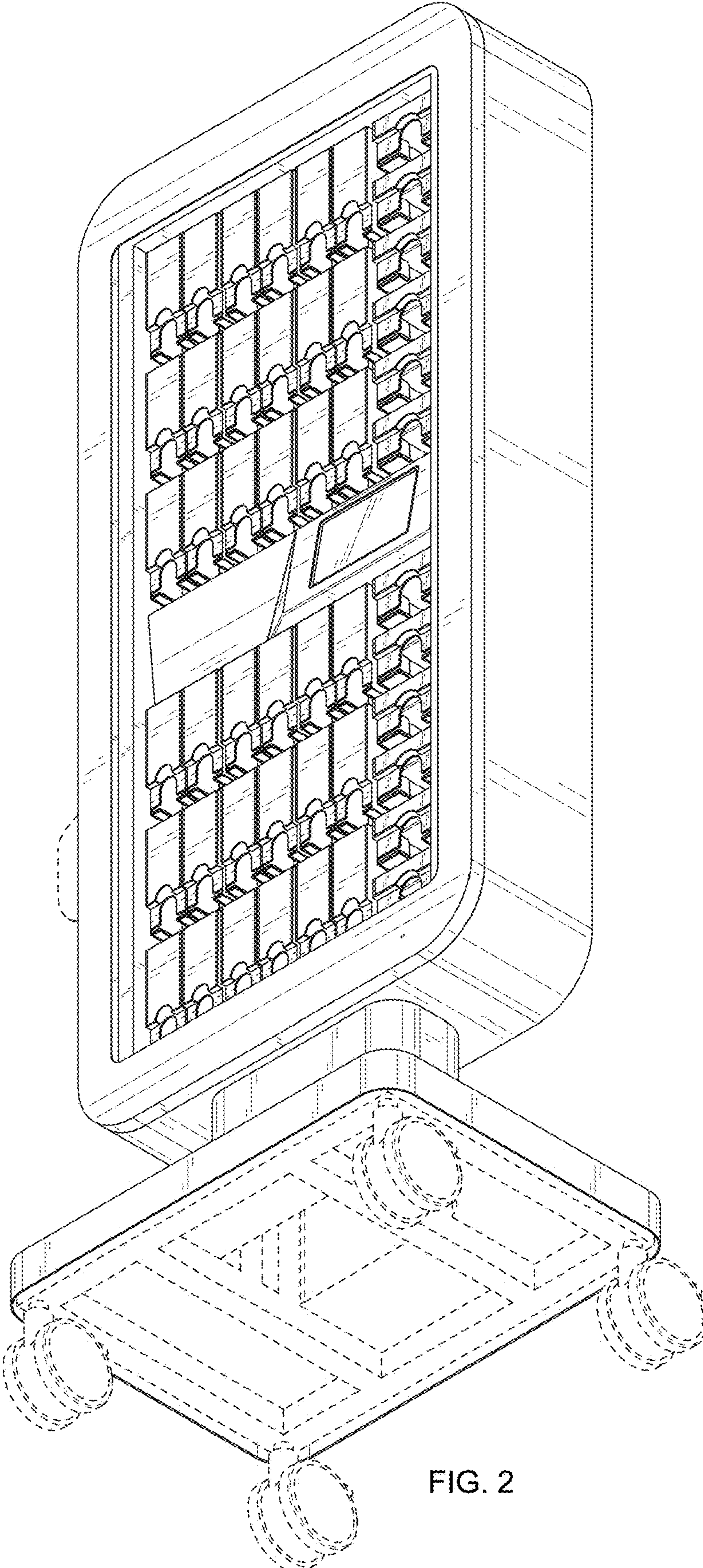


FIG. 2



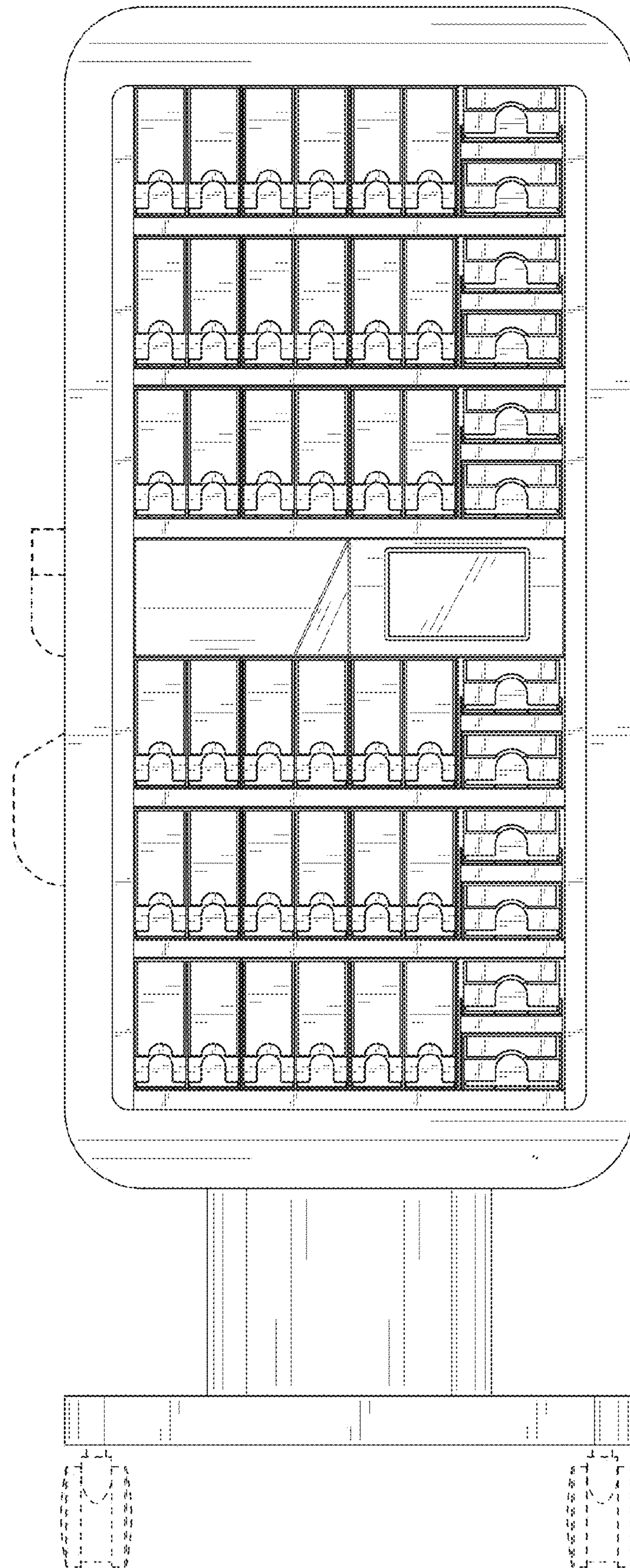


FIG. 3

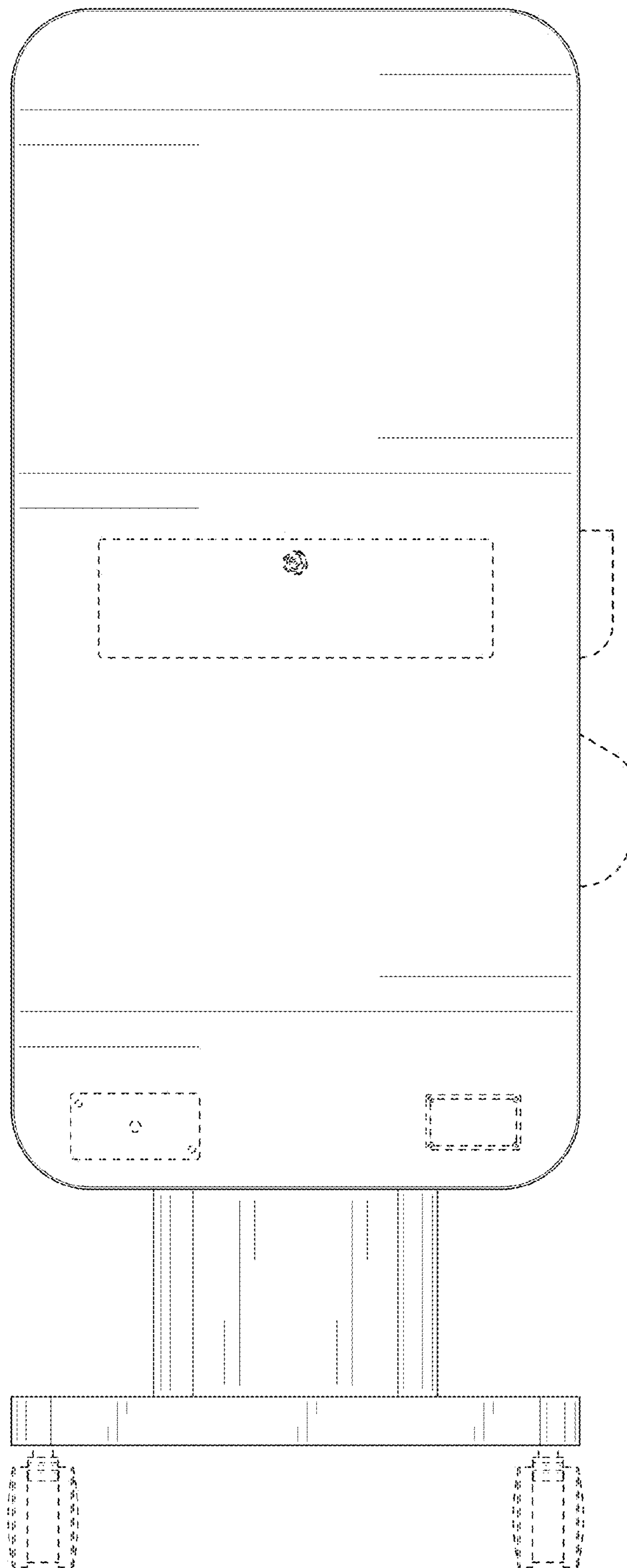


FIG. 4

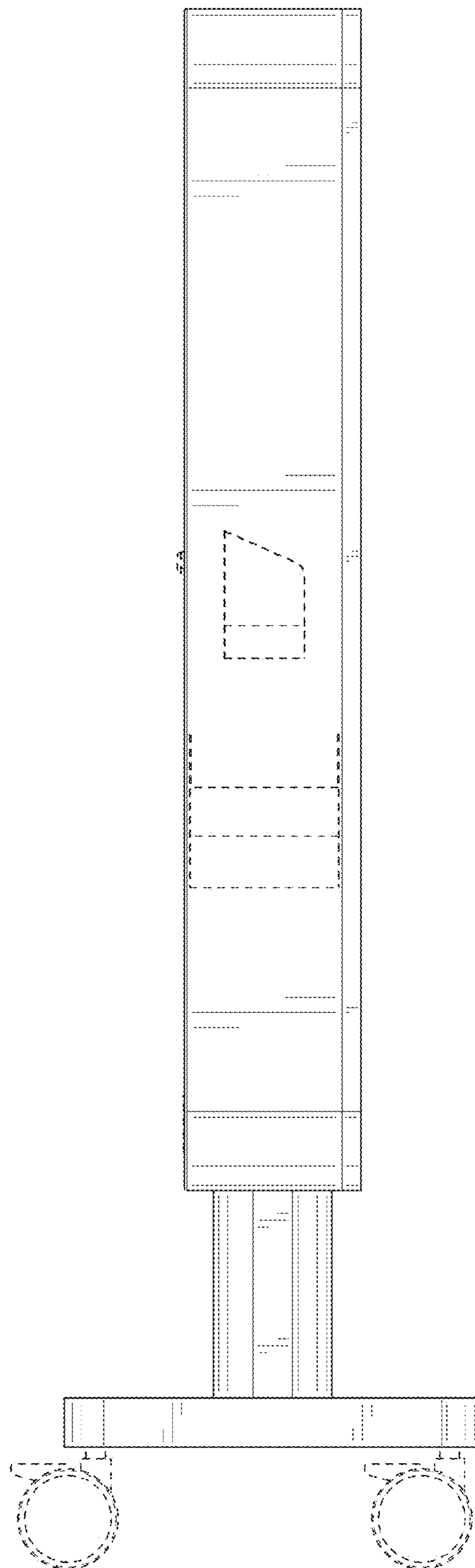


FIG. 5

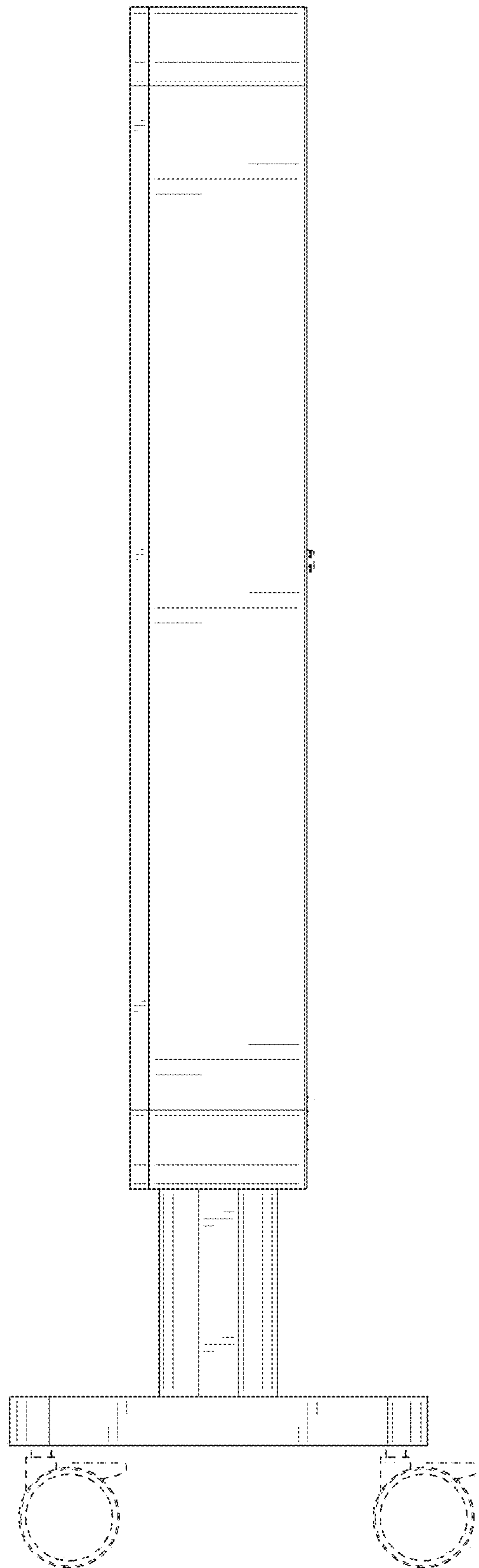


FIG. 6



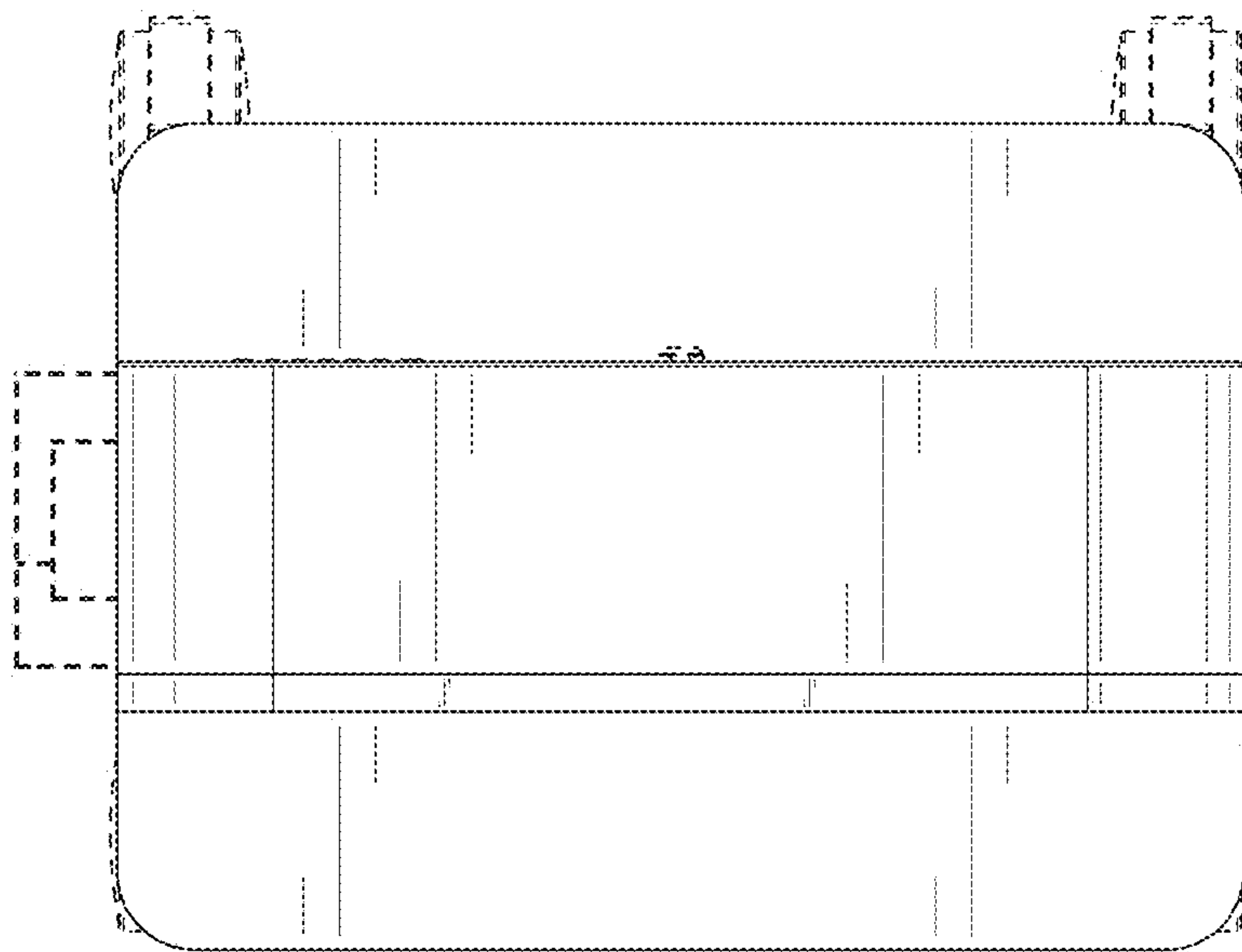


FIG. 7

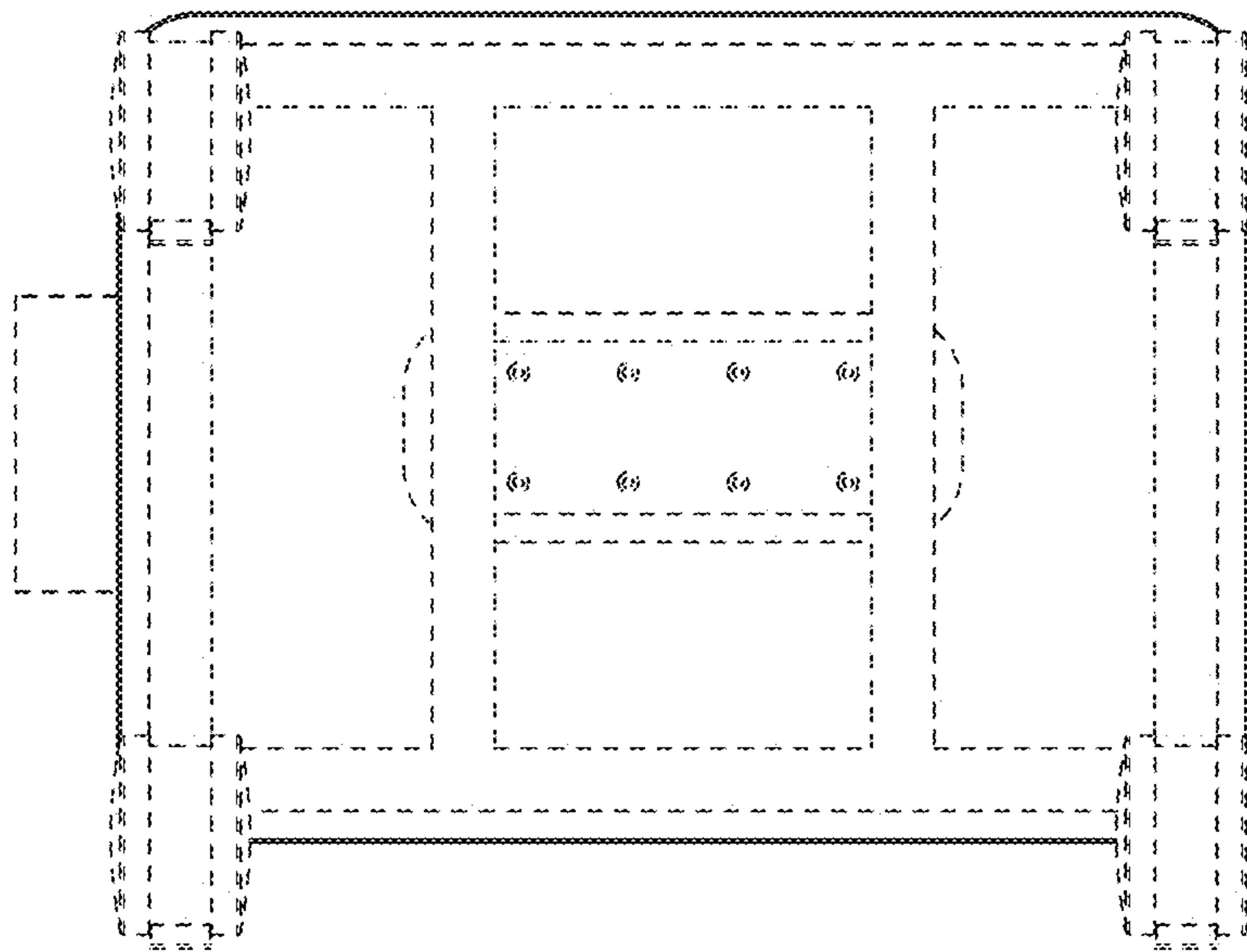


FIG. 8