



US00D979648S

(12) **United States Design Patent** (10) **Patent No.:** **US D979,648 S**
Hao (45) **Date of Patent:** **** Feb. 28, 2023**

(54) **PEN**
(71) Applicant: **Peihui Hao**, Ningbo (CN)
(72) Inventor: **Peihui Hao**, Ningbo (CN)
(**) Term: **15 Years**
(21) Appl. No.: **29/769,393**
(22) Filed: **Feb. 4, 2021**
(51) **LOC (14) Cl.** **19-06**
(52) **U.S. Cl.**
USPC **D19/163**
(58) **Field of Classification Search**
USPC D10/86; D18/14, 15; D14/411, 341,
D14/480.3, 264; D19/117, 166, 917, 929,
D19/933, 916, 902, 115, 142, 160, 163,
D19/180, 186, 203, 133, 202, 201, 196,
D19/195, 162
CPC B43K 7/005; B43K 5/005; B43M 11/06;
A63F 2009/0656; A63F 3/062
See application file for complete search history.

(56) **References Cited**

U.S. PATENT DOCUMENTS

D137,866 S * 5/1944 Loewy D19/163
D209,993 S * 1/1968 Horie D19/163
D258,218 S * 2/1981 Oka D19/168
D303,020 S * 8/1989 Reichmann D28/91.1
D306,494 S * 3/1990 Bajusz D28/7
D369,183 S * 4/1996 Yoshida D19/163
D390,601 S * 2/1998 Irby D19/164
D545,899 S * 7/2007 Okutani D19/163
D568,933 S * 5/2008 Qiu D19/163
D601,626 S * 10/2009 Liu D19/163
D602,086 S * 10/2009 Liu D19/169
D605,700 S * 12/2009 Ma D19/168
D607,934 S * 1/2010 Liu D19/169
D610,195 S * 2/2010 Liu D19/182
D611,096 S * 3/2010 Liu D19/169

D611,097 S * 3/2010 Liu D19/169
D616,498 S * 5/2010 Zhang D19/169
D640,319 S * 6/2011 Gerules D19/163
D668,291 S * 10/2012 Chen D19/163
D681,731 S * 5/2013 Yasunaga D19/194
D711,469 S * 8/2014 Tam D19/163
D837,883 S * 1/2019 Zhao D19/164
D889,543 S * 7/2020 Jilong D19/928

FOREIGN PATENT DOCUMENTS

EM 003476894-0001 * 2/2017

OTHER PUBLICATIONS

Strokes Art Coloring Pens, Amazon.com, date published Aug. 18, 2016, date retrieved Oct. 28, 2022—29769393—<https://amzn.to/3TS7THp> (Year: 2016).*

(Continued)

Primary Examiner — Nicole C Shiflet
Assistant Examiner — Danielle Nichole Bowly

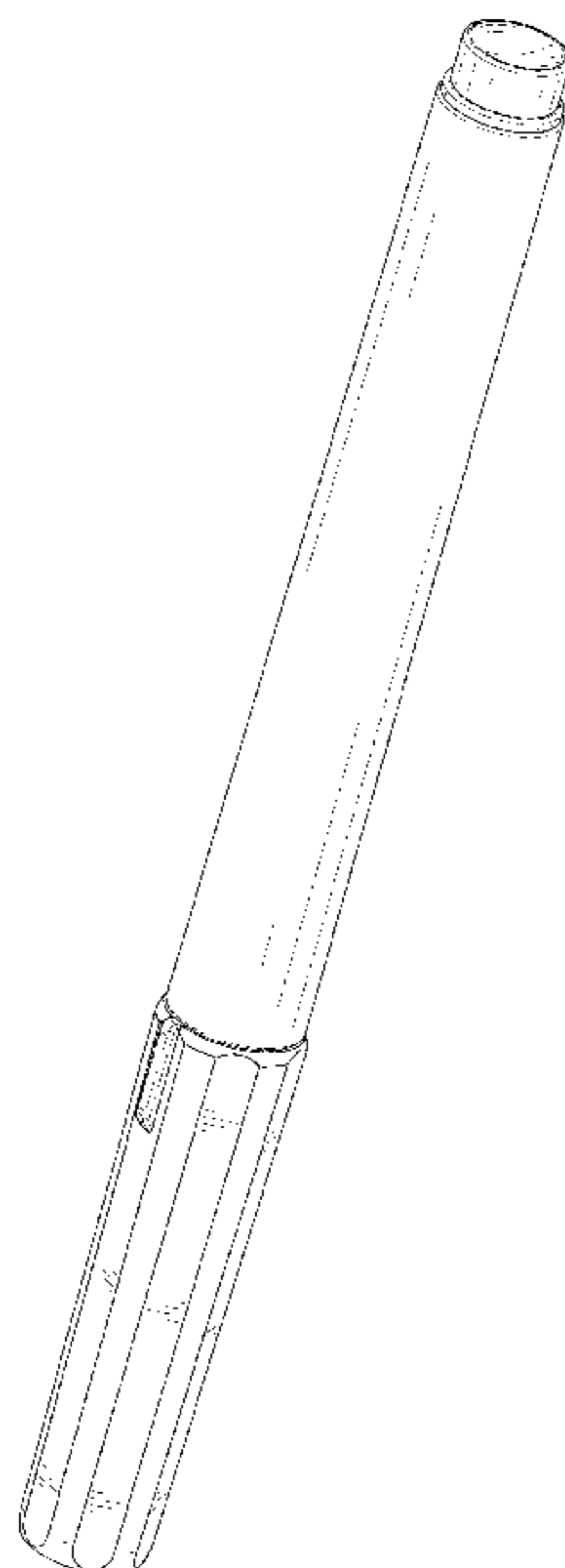
(57) **CLAIM**

The ornamental design for a pen, as shown and described.

DESCRIPTION

FIG. 1 is a perspective view of a pen showing my new design;
FIG. 2 is another perspective view thereof;
FIG. 3 is a front elevational view thereof;
FIG. 4 is a rear elevational view thereof;
FIG. 5 is a left side elevational view thereof;
FIG. 6 is a right side elevational view thereof;
FIG. 7 is a top plan view thereof;
FIG. 8 is a bottom plan view thereof; and,
FIG. 9 is an exploded perspective view of the pen.
The broken lines in the drawings depict portions of the pen that form no part of the claimed design.

1 Claim, 9 Drawing Sheets



(56)

References Cited

OTHER PUBLICATIONS

Eatsleepdoodle Fabric Marker, Amazon.com, date published Aug. 16, 2012, date retrieved Oct. 28, 2022—29769393—<https://amzn.to/3WarjsR> (Year: 2012).*

Markers, theottoolbox.com, tineye, date published Mar. 27, 2020, date retrieved Oct. 29, 2022—29769393—<https://tineye.com/search/0d4a2d8bdfa37c7ec8b1494eb1a1a79ded03af76?sort=score&order=desc&page=1> (Year: 2020).*

* cited by examiner

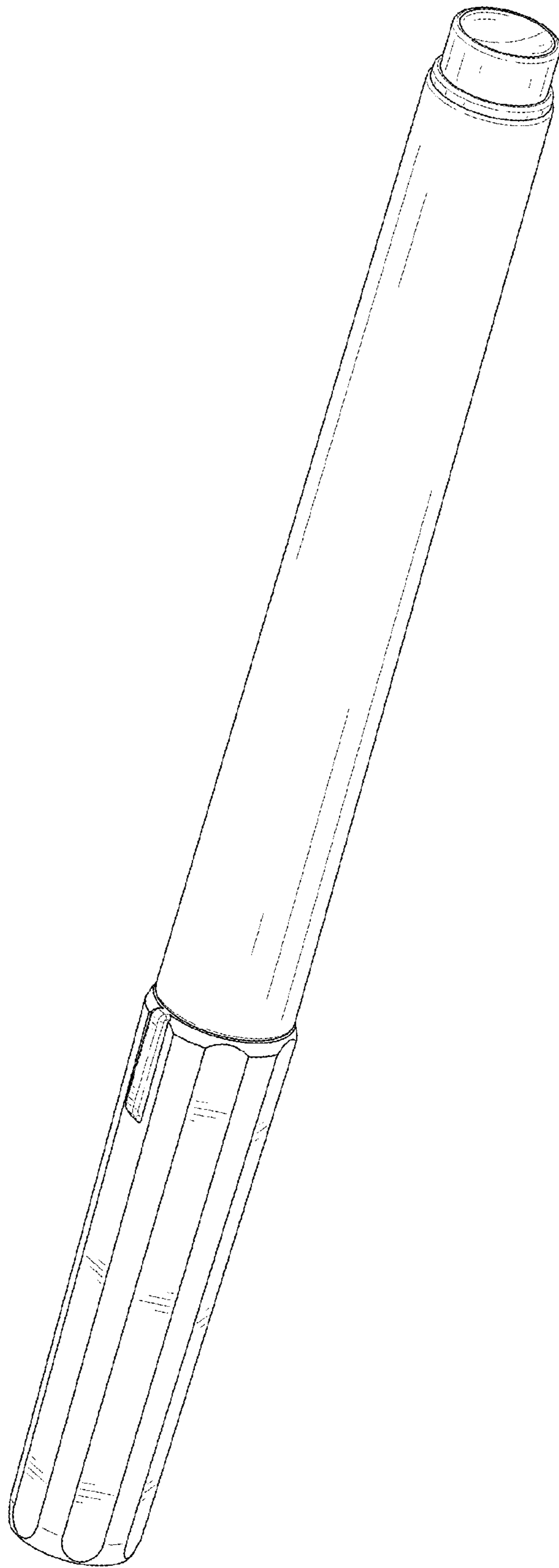


FIG. 1

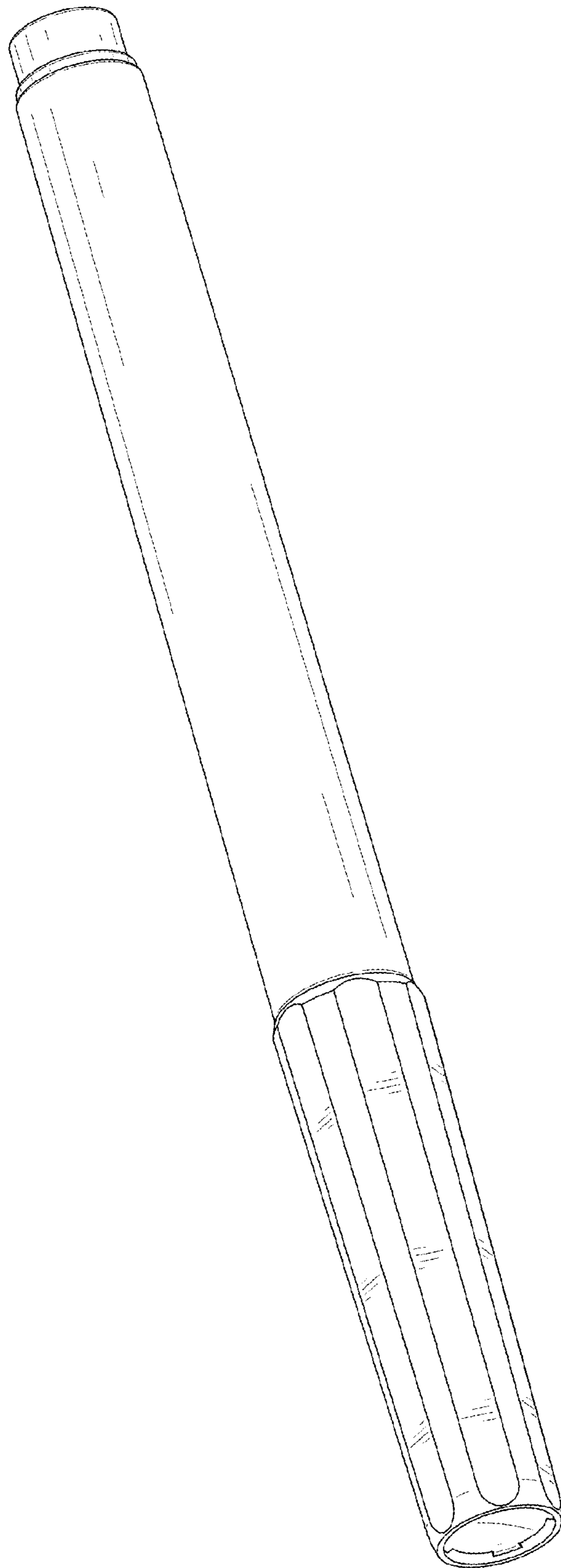


FIG. 2

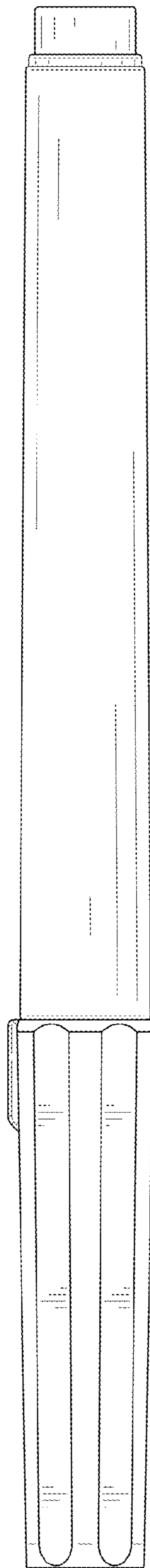


FIG. 3

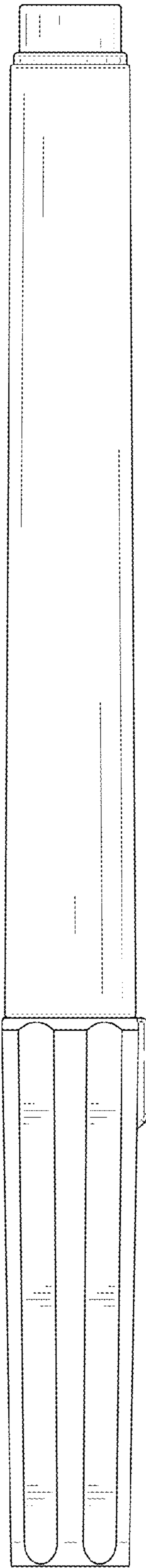


FIG. 4

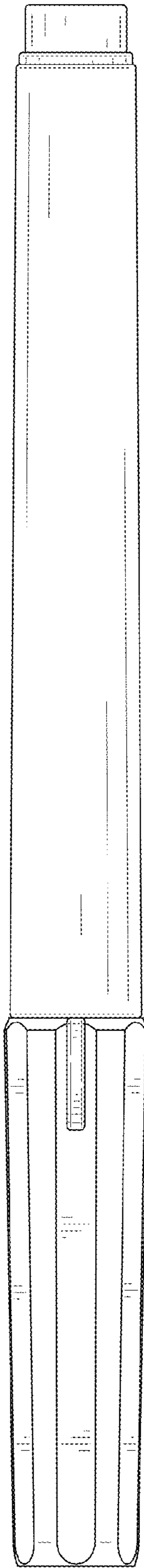


FIG. 5

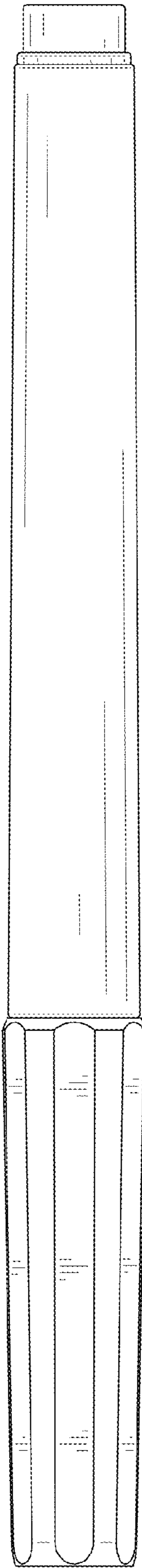


FIG. 6

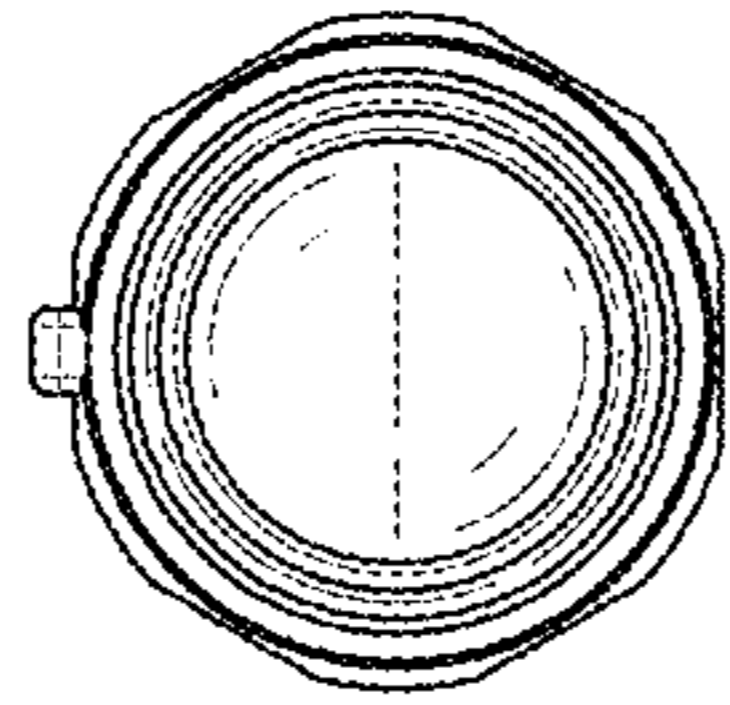


FIG. 7

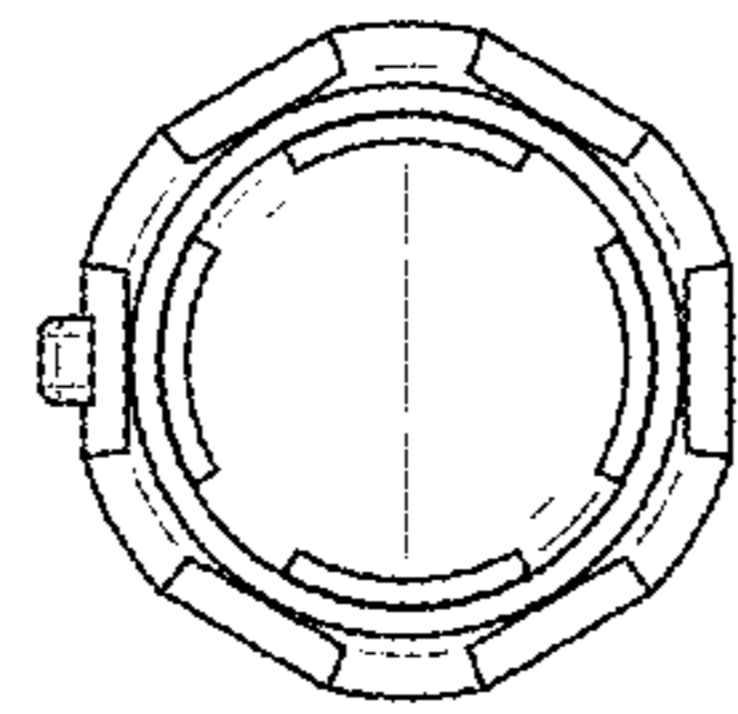


FIG. 8

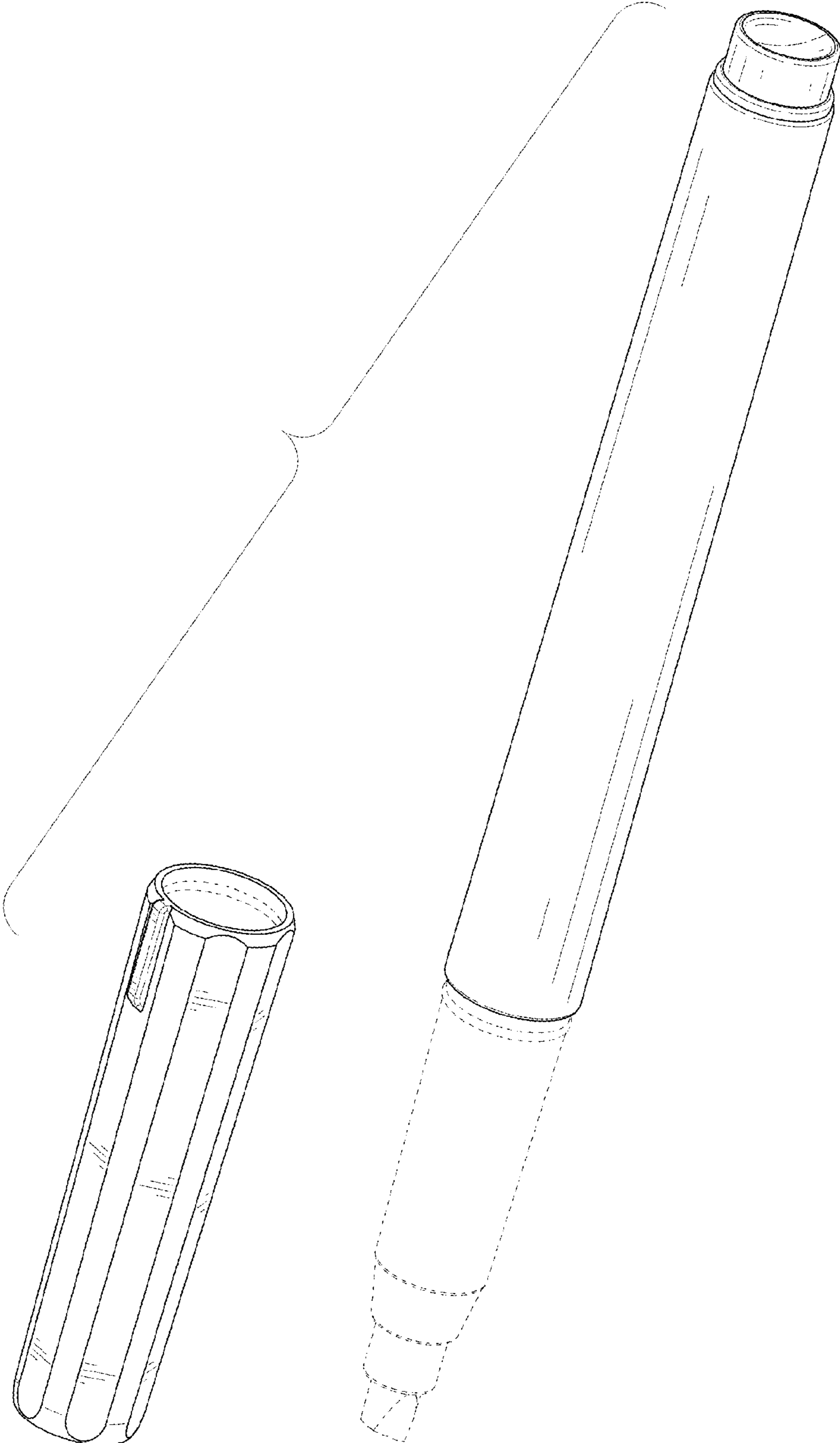


FIG. 9