



US00D979647S

(12) **United States Design Patent**
Wang

(10) **Patent No.:** **US D979,647 S**

(45) **Date of Patent:** **** Feb. 28, 2023**

(54) **CLIPBOARD**

(71) Applicant: **Xiangjun Wang**, Shenzhen (CN)

(72) Inventor: **Xiangjun Wang**, Shenzhen (CN)

(**) Term: **15 Years**

(21) Appl. No.: **29/831,433**

(22) Filed: **Mar. 21, 2022**

(51) **LOC (14) Cl.** **19-02**

(52) **U.S. Cl.**
USPC **D19/88**

(58) **Field of Classification Search**
USPC D19/10, 11, 75-85, 86, 88, 91, 113, 135,
D19/174
CPC .. B42F 9/001; B42F 13/14; B42F 9/00; B42F
9/002; B42F 1/006; G06G 1/04; F16B
2/10; B43L 3/005; B43L 5/02; B42D
19/00

See application file for complete search history.

(56) **References Cited**

U.S. PATENT DOCUMENTS

- 3,791,314 A * 2/1974 Berretta A47B 23/002
108/43
- 4,555,128 A * 11/1985 White B42D 9/00
281/31
- 4,743,050 A * 5/1988 Small B62B 3/1428
281/45
- 5,150,873 A * 9/1992 Donovan A47B 83/02
248/441.1
- 5,566,609 A * 10/1996 Kirschner B62B 3/1428
108/42
- D443,649 S * 6/2001 Citron D19/91
- D611,544 S * 3/2010 Liptan D19/88
- D705,351 S 5/2014 DeCarlo et al.
- D865,058 S 10/2019 DeCarlo et al.

- D896,592 S * 9/2020 Starkey D7/610
- 2007/0187565 A1 * 8/2007 Liptan B42F 9/001
248/456
- 2010/0084848 A1 * 4/2010 Nguyen B42F 9/001
24/67 R

(Continued)

FOREIGN PATENT DOCUMENTS

- GB 6018387 * 9/2017
- GB 6018393 * 9/2017
- JP 3148952 * 3/2009

OTHER PUBLICATIONS

Nursing Clipboard posted by SC Printing World posted date Nov. 25, 2021, © Amazon, [online], [site visited Sep. 2, 2022]. Available from Internet, <https://www.amazon.com/SC-Printing-World-Clipboard-Aluminum/dp/B09MKYBMG3> (Year: 2021).*

(Continued)

Primary Examiner — Michael C Stout
Assistant Examiner — Laura H Yu
(74) *Attorney, Agent, or Firm* — Georgi Korobanov

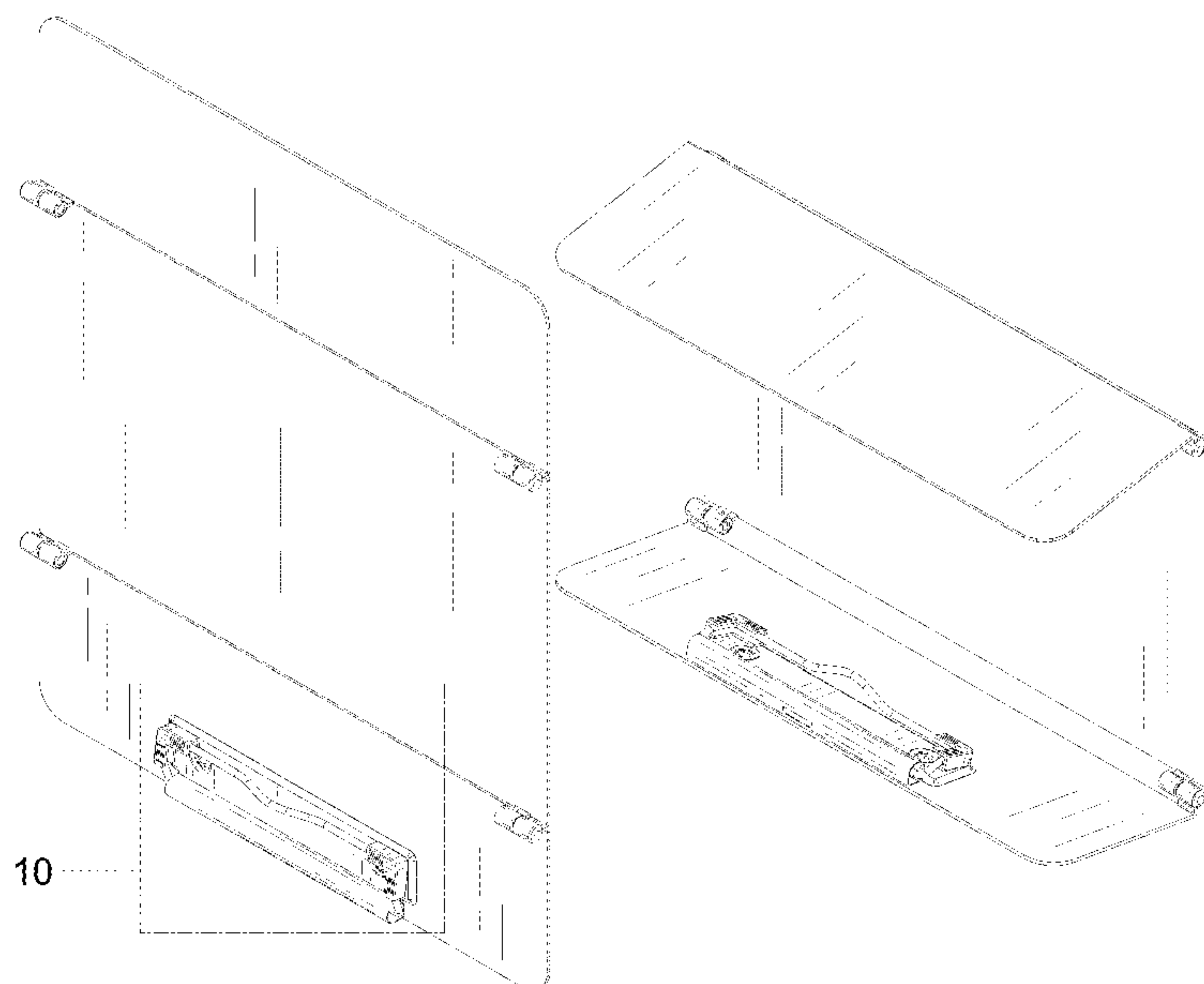
(57) **CLAIM**

The ornamental design for a clipboard, as shown and described.

DESCRIPTION

FIG. 1 is a perspective view of a clipboard, showing my new design;
FIG. 2 is a perspective view of a clipboard in a folded status;
FIG. 3 is another perspective view thereof;
FIG. 4 is a front view thereof;
FIG. 5 is a rear view thereof;
FIG. 6 is a left side view thereof;
FIG. 7 is a right side view thereof;
FIG. 8 is a top plan view thereof;
FIG. 9 is a bottom plan view thereof; and,
FIG. 10 is an enlarged view of portion 10 shown in FIG. 1.

1 Claim, 10 Drawing Sheets



(56)

References Cited

U.S. PATENT DOCUMENTS

2016/0143670 A1* 5/2016 Alamin A61B 17/7053
606/263
2020/0298611 A1* 9/2020 Allen B42F 9/001

OTHER PUBLICATIONS

ISO Clipboard posted by Clipboards.com posted date Dec. 3, 2013, © Amazon, [online], [site visited Sep. 2, 2022]. Available from Internet, <https://www.amazon.com/Clipboards-com-7029-ISO-Clipboard-Wine/> (Year: 2013).*

Cocolan Black Trifold Clipboard posted by Cocolan posted date Apr. 6, 2021, © Amazon, [online], [site visited Sep. 2, 2022]. Available from Internet, <https://www.amazon.com/Foldable-Clipboard-Lightweight-Foldover-Students> (Year: 2021).*

Nursing Clipboard posted by Koojet posted date Jan. 16, 2022, © Amazon, [online], [site visited Sep. 2, 2022]. Available from Internet, <https://www.amazon.com/Koojet-Clipboard-Foldable-Aluminum-Generous> (Year: 2022).*

* cited by examiner

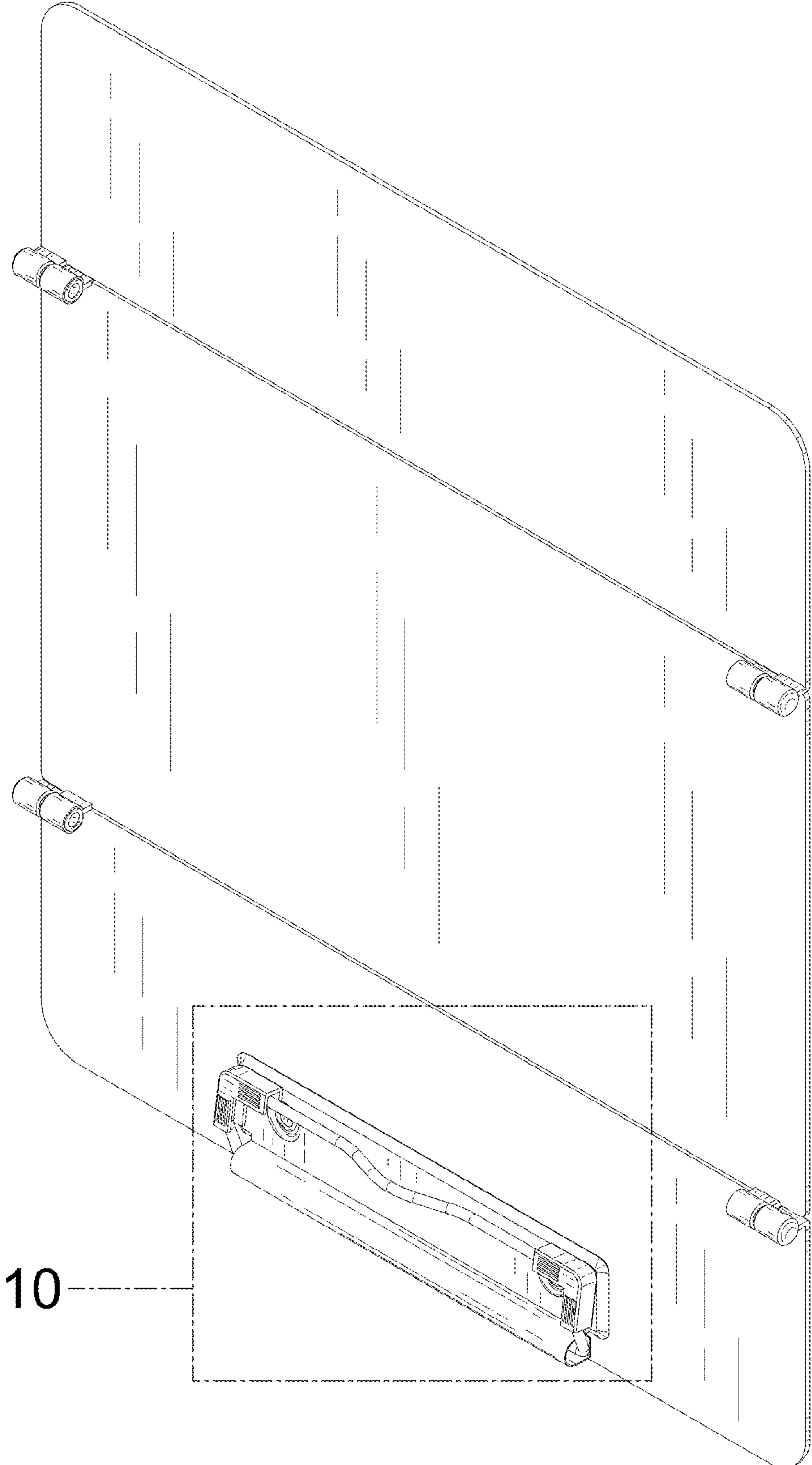


FIG. 1

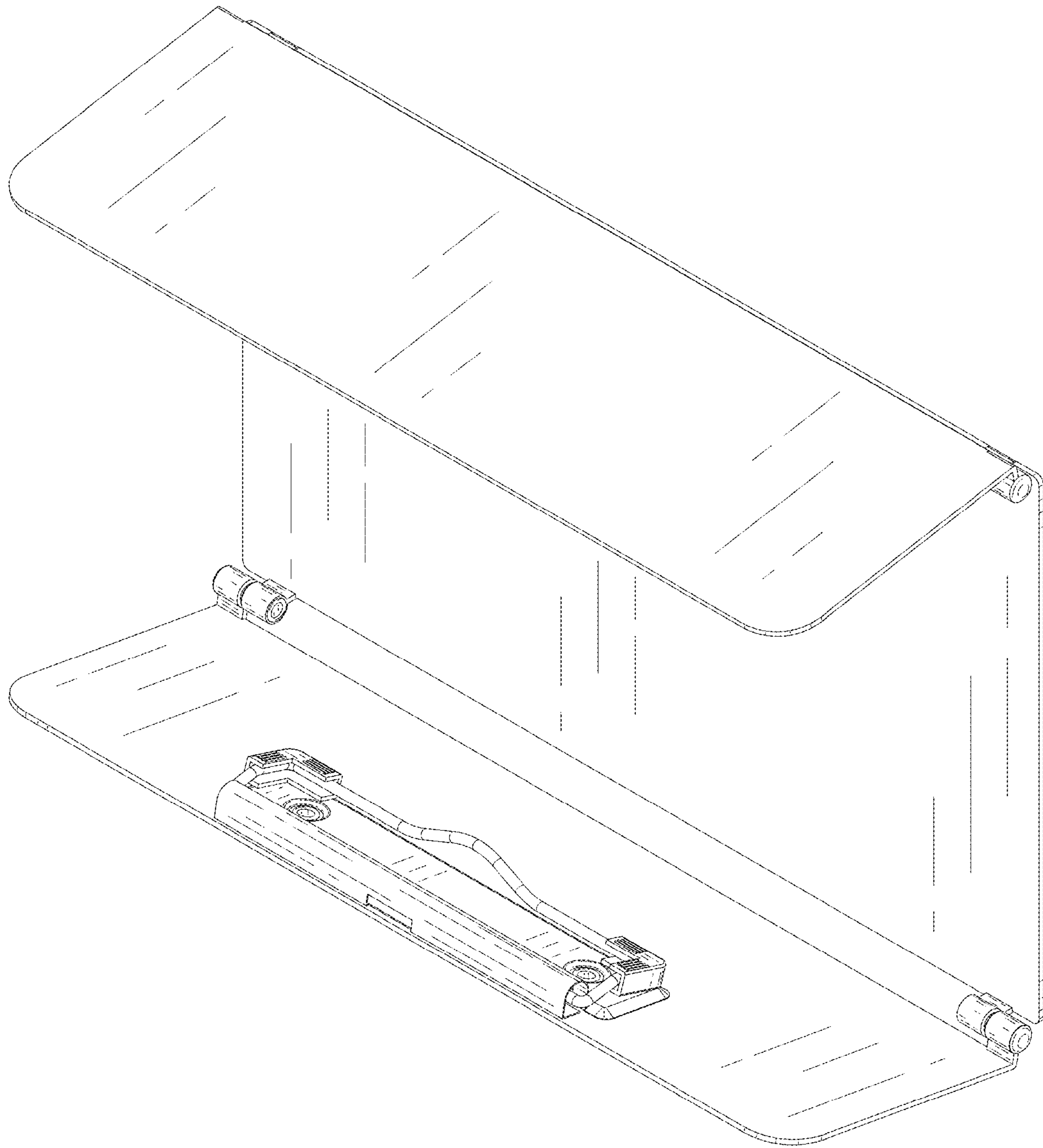


FIG. 2

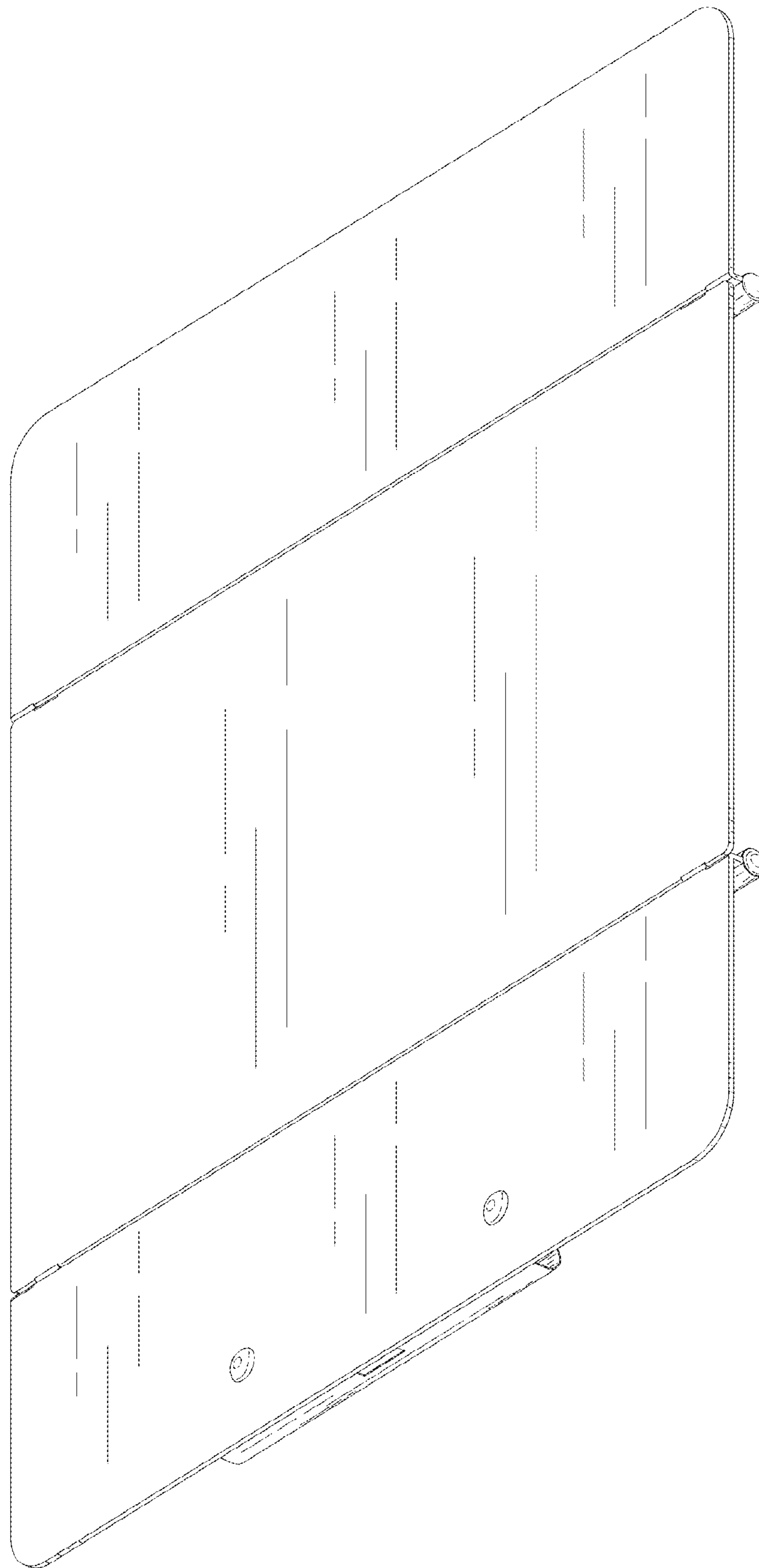


FIG. 3

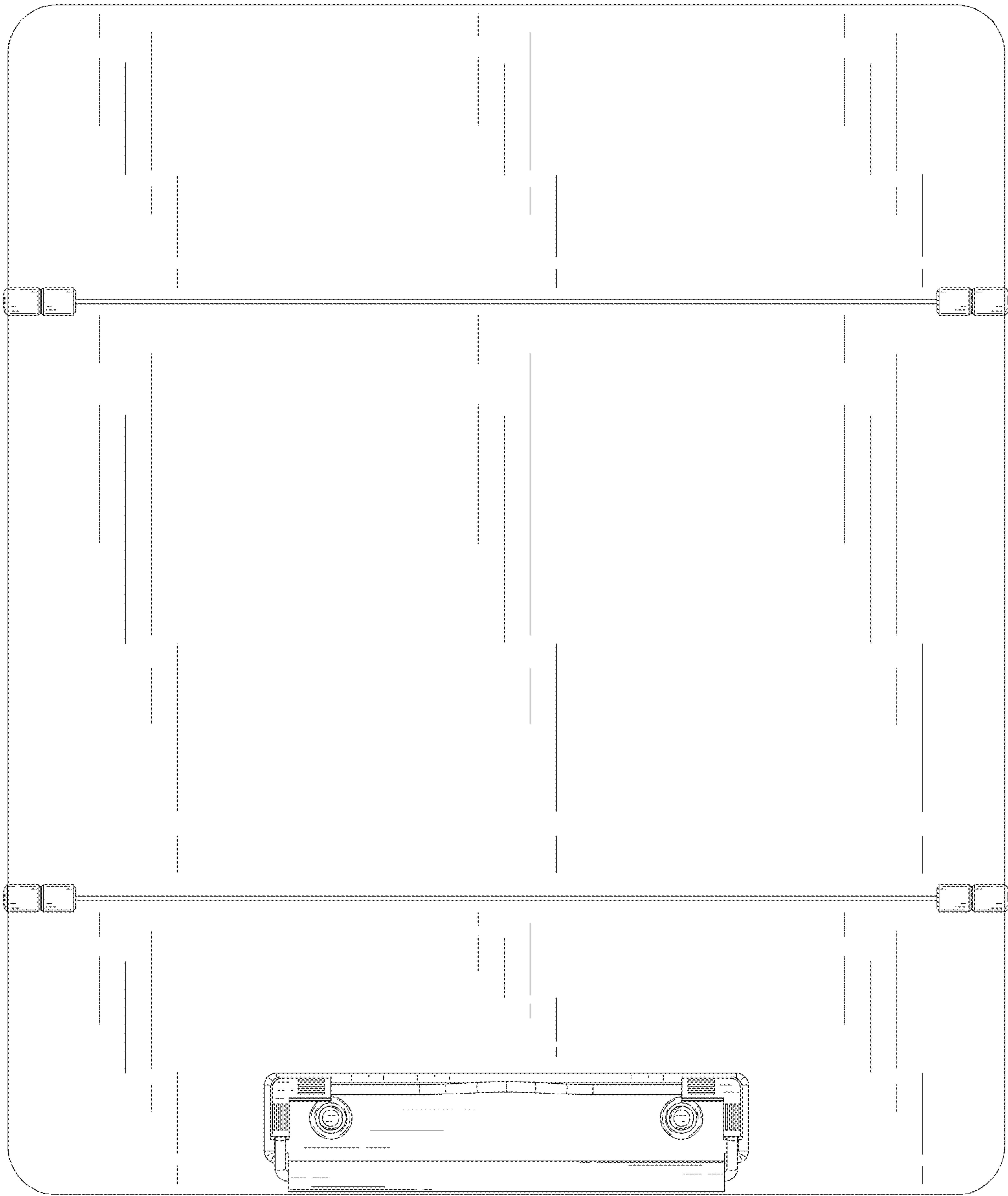


FIG. 4

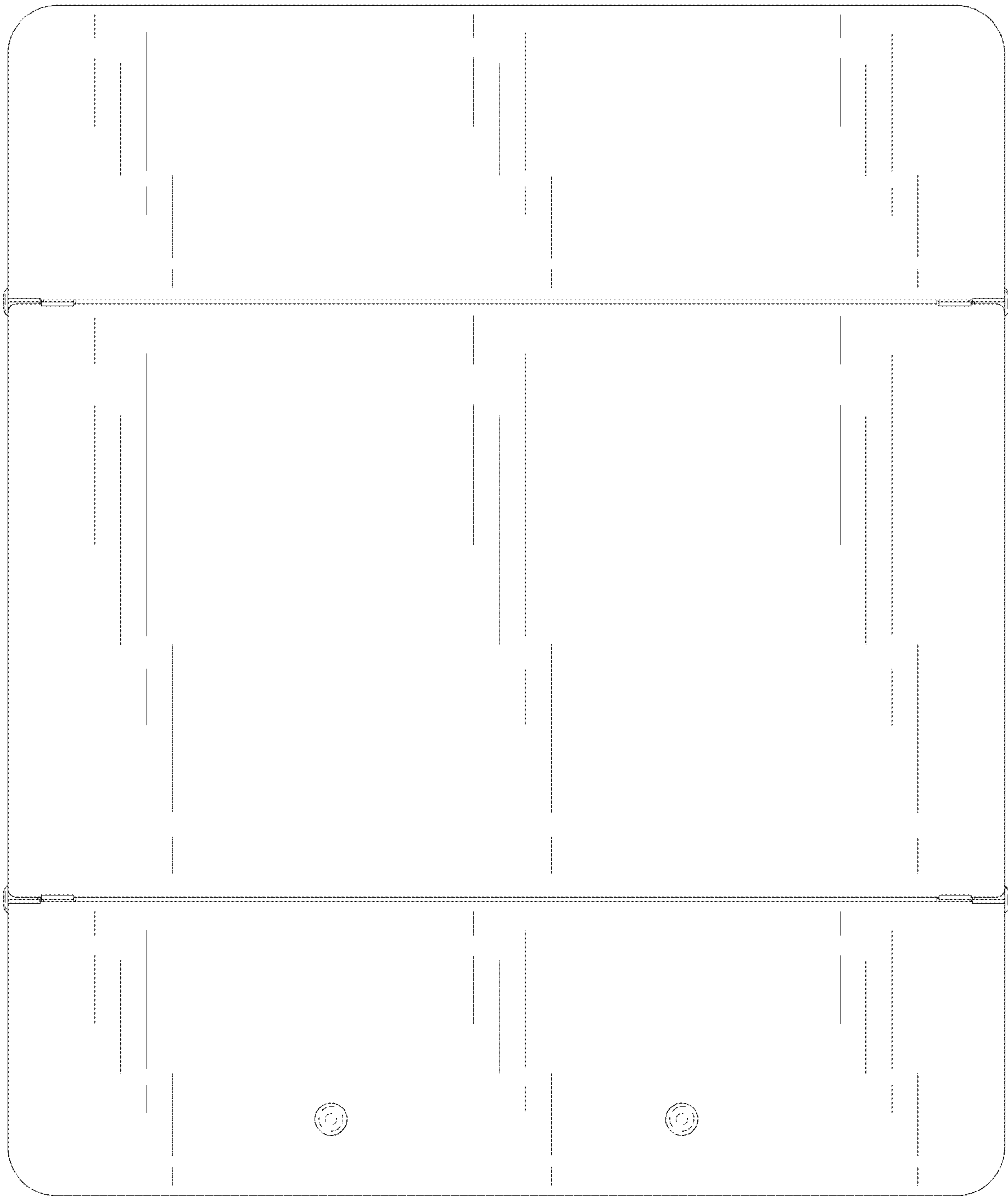


FIG. 5

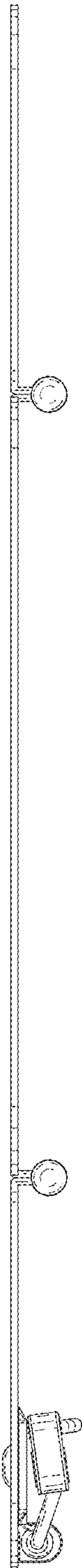


FIG. 6

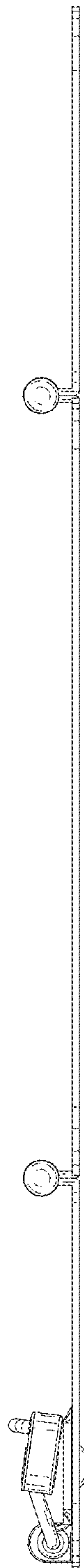


FIG. 7



FIG. 8

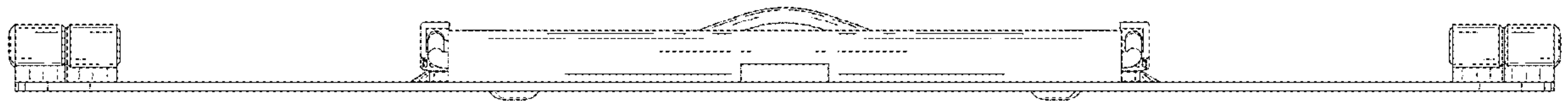


FIG. 9

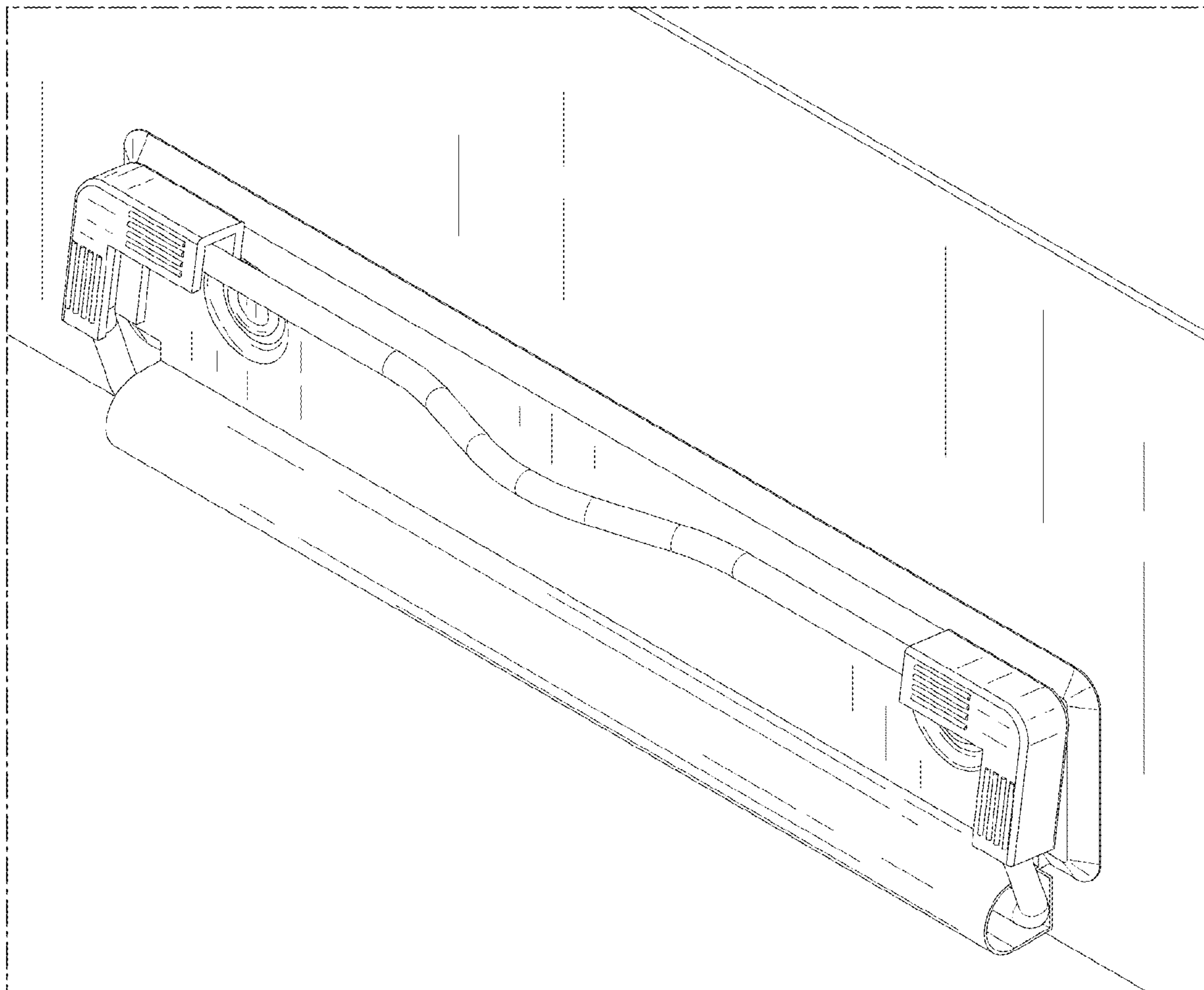


FIG. 10