



US00D979643S

(12) **United States Design Patent**  
**Priester**

(10) **Patent No.:** **US D979,643 S**  
(45) **Date of Patent:** **\*\* Feb. 28, 2023**

(54) **PAPER CUTTING MACHINE**

- (71) Applicant: **Krug & Priester GmbH & Co. KG**,  
Balingen (DE)
- (72) Inventor: **Daniel Priester**, Balingen (DE)
- (73) Assignee: **Krug & Priester GmbH & Co. KG**,  
Balingen (DE)

(\*\*) Term: **15 Years**

(21) Appl. No.: **29/789,242**

(22) Filed: **Sep. 10, 2021**

(51) **LOC (14) Cl.** ..... **18-04**

(52) **U.S. Cl.**  
USPC ..... **D18/34.3; D15/127**

(58) **Field of Classification Search**  
CPC ..... B26D 2007/005; B26D 2007/0087; B26D  
2001/0053; B26D 1/025; B26D 1/035;  
B26D 1/045; B26D 1/065; B26D 1/08;  
B26D 1/085; B26D 1/10; B26D 1/105;  
B26D 1/125; B26D 1/147; B26D 1/1475;  
B26D 1/15; B26D 5/083; B26D 7/22;  
B26D 1/151; B26D 1/153; B26D 1/1535;  
B26D

(Continued)

(56) **References Cited**

**U.S. PATENT DOCUMENTS**

- 2,633,195 A \* 3/1953 Rupp ..... B26D 7/025  
83/381
- D199,864 S \* 12/1964 Schreckengost et al. .. D18/34.3

(Continued)

**FOREIGN PATENT DOCUMENTS**

- CN 302882535 \* 7/2014
- CN 303059931 \* 12/2014

(Continued)

**OTHER PUBLICATIONS**

Amazon. Link: [https://www.amazon.com/Mophorn-Electric-Numerical-Control-electric/dp/B06XSVKZRC?psc=1&pd\\_rd\\_w=S5h5h&pf\\_rd\\_p=bd5307ce-7a5d-4d8d-b2%E2%80%A6](https://www.amazon.com/Mophorn-Electric-Numerical-Control-electric/dp/B06XSVKZRC?psc=1&pd_rd_w=S5h5h&pf_rd_p=bd5307ce-7a5d-4d8d-b2%E2%80%A6). Jul. 31, 2021. Mophorn Electric Paper Cutter 450mm 17.7 Inch Paper Cutter Guillotine Numerical Control Automatic Digital. (Year: 2021).\*

(Continued)

*Primary Examiner* — Lauren D McVey

(74) *Attorney, Agent, or Firm* — Hackler Daghighian Martino & Novak

(57) **CLAIM**

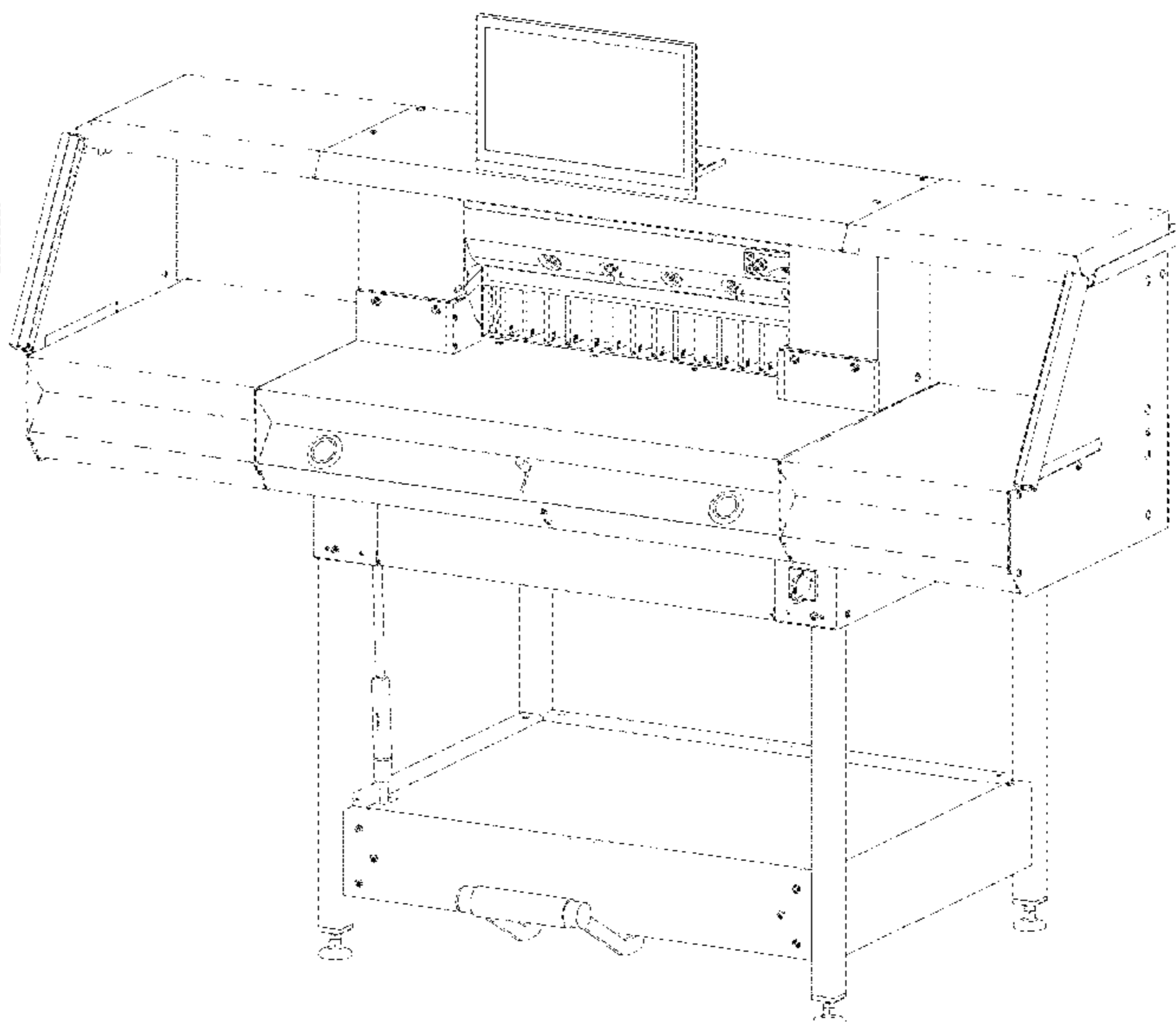
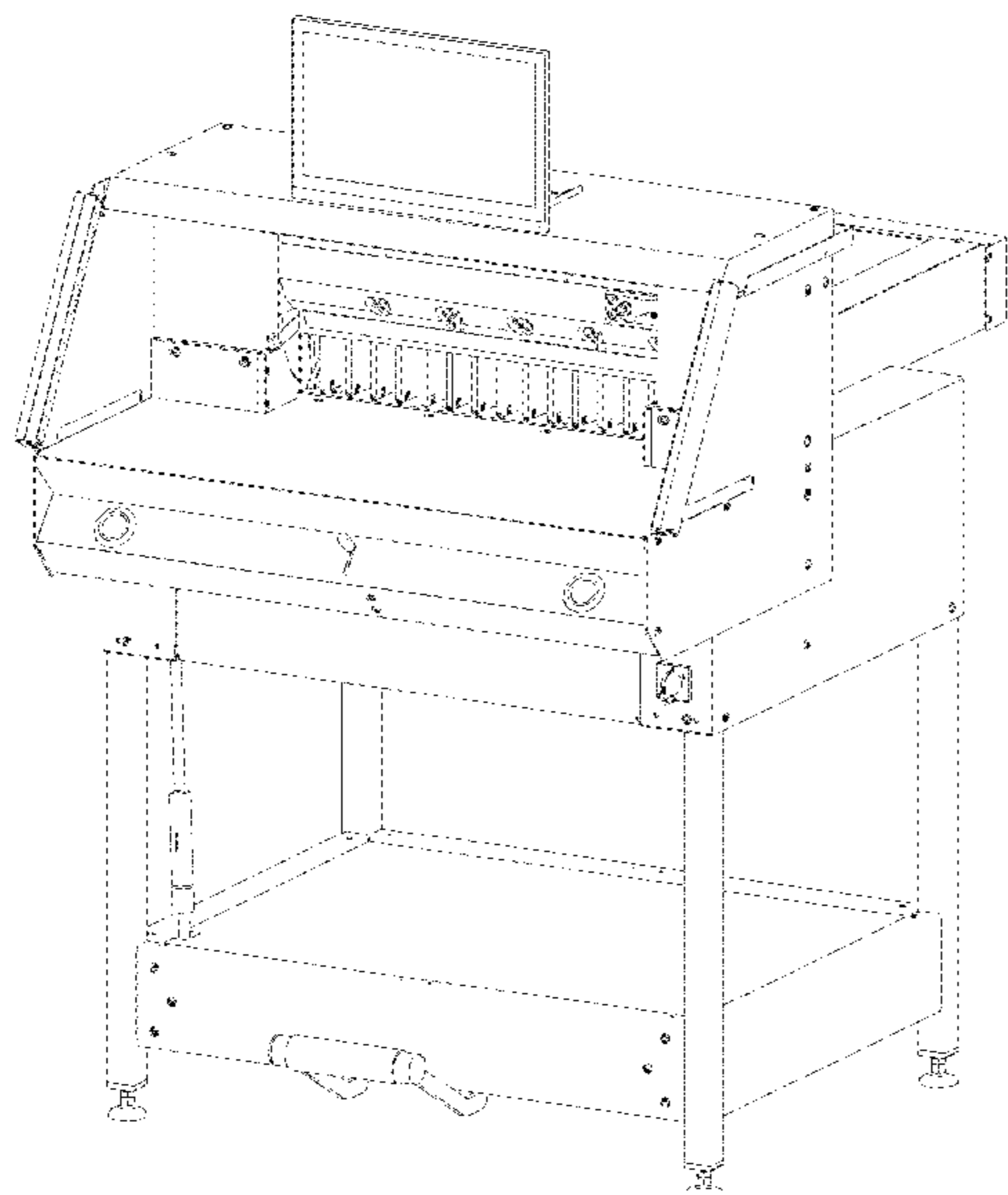
The ornamental design for a paper cutting machine, as shown and described.

**DESCRIPTION**

FIG. 1 is a front perspective view of a first embodiment of a paper cutting machine embodying my new design;  
 FIG. 2 is a rear perspective view thereof;  
 FIG. 3 is a front elevation view thereof;  
 FIG. 4 is a rear elevation view thereof;  
 FIG. 5 is a left side elevation view thereof;  
 FIG. 6 is a right side elevation view thereof;  
 FIG. 7 is a top plan view thereof;  
 FIG. 8 is a bottom plan view thereof;  
 FIG. 9 is a front perspective view of a second embodiment of a paper cutting machine;  
 FIG. 10 is a rear perspective view thereof;  
 FIG. 11 is a front elevation view thereof;  
 FIG. 12 is a rear elevation view thereof;  
 FIG. 13 is a left side elevation view thereof;  
 FIG. 14 is a right side elevation view thereof;  
 FIG. 15 is a top plan view thereof; and,  
 FIG. 16 is a bottom plan view thereof.

The broken lines depict environmental subject matter, are for illustration only and form no part of the claimed design.

**1 Claim, 16 Drawing Sheets**



(58) **Field of Classification Search**

CPC ..... 1/185; B26D 1/305; B26D 1/34; B26D 1/345; B26D 1/36; B26D 1/365; B26D 1/38; B26D 7/015; B26D 7/025; B26D 1/0006; B26D 5/16; B26D 7/2614; B26D 7/2628; B26D 1/385; B26D 1/00; B26D 1/626; B23D 35/008; Y10T 83/7763; Y10T 83/8822; Y10T 83/885; Y10T 83/8851; Y10T 83/7507; Y10T 83/955; Y10T 83/8874; Y10T 83/8814; Y10T 83/9493; Y10T 83/7533; Y10T 83/8821; Y10T 83/828; Y10T 83/872; Y10T 83/8841; Y10T 83/4827; Y10T 83/9394

See application file for complete search history.

(56) **References Cited**

U.S. PATENT DOCUMENTS

D365,580 S \* 12/1995 Stiles ..... D19/72  
 D388,819 S \* 1/1998 Huen ..... D18/34.5  
 D416,041 S \* 11/1999 Mori ..... D19/72  
 D668,288 S \* 10/2012 Chiang ..... D18/34.1  
 D692,936 S \* 11/2013 Thoma ..... D15/127  
 D692,937 S \* 11/2013 Thoma ..... D15/127  
 D701,250 S \* 3/2014 Thoma ..... D15/127

D701,251 S \* 3/2014 Thoma ..... D15/127  
 D701,252 S \* 3/2014 Thoma ..... D15/127  
 D701,253 S \* 3/2014 Thoma ..... D15/127  
 D802,657 S \* 11/2017 Umezawa ..... D18/34.9

FOREIGN PATENT DOCUMENTS

CN 305023131 \* 2/2019  
 CN 305023132 \* 2/2019  
 CN 305250776 \* 7/2019

OTHER PUBLICATIONS

Toolots. Link: [https://www.toolots.com/programmable-electric-paper-cutter-max-cutting-width-18-1-8-460mm.html?cid=10573992414&gclid=EAlalQobChMI5uyyraib9glVaQalCR0v1AyKEAQYAyABEgJ-APD\\_BwE](https://www.toolots.com/programmable-electric-paper-cutter-max-cutting-width-18-1-8-460mm.html?cid=10573992414&gclid=EAlalQobChMI5uyyraib9glVaQalCR0v1AyKEAQYAyABEgJ-APD_BwE). Visited Feb. 25, 2022. Programmable Electric Paper Cutter Max. (Year: 2022).\*

MyBinding. Link: <https://www.mybinding.com/triumph-4815-electric-paper-cutter-with-digital-display.html>. Sep. 2020. TRIUMPH 4815 18.625" Electric Paper Cutter With Digital Display (Year: 2020).\*

MyBinding. Link: <https://www.mybinding.com/triumph-5255-electric-programmable-paper-cutter.html>. Feb. 2017. TRIUMPH 5255 20.375" Electric Programmable Paper Cutter (Year: 2017).\*

\* cited by examiner

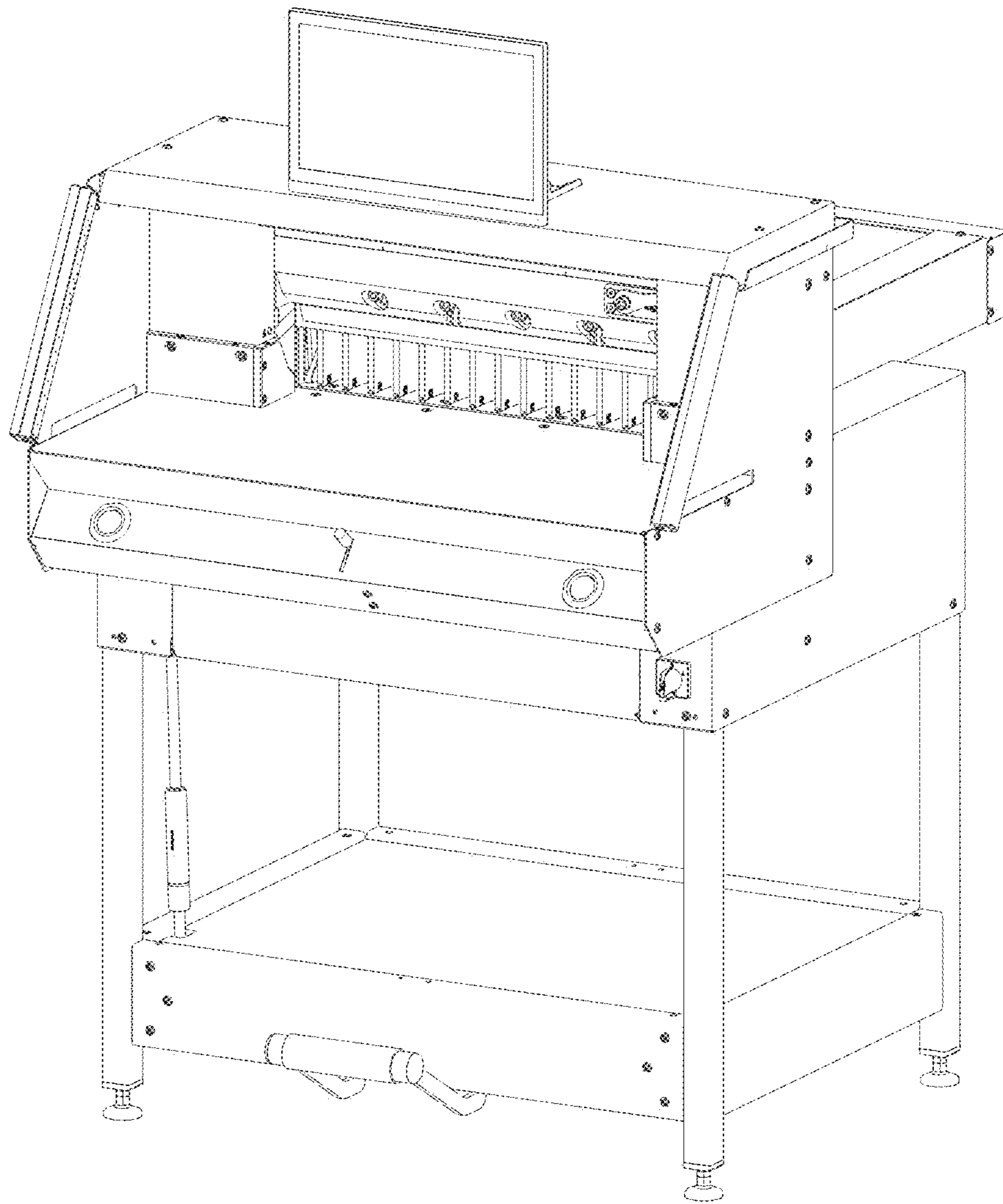


FIG. 1



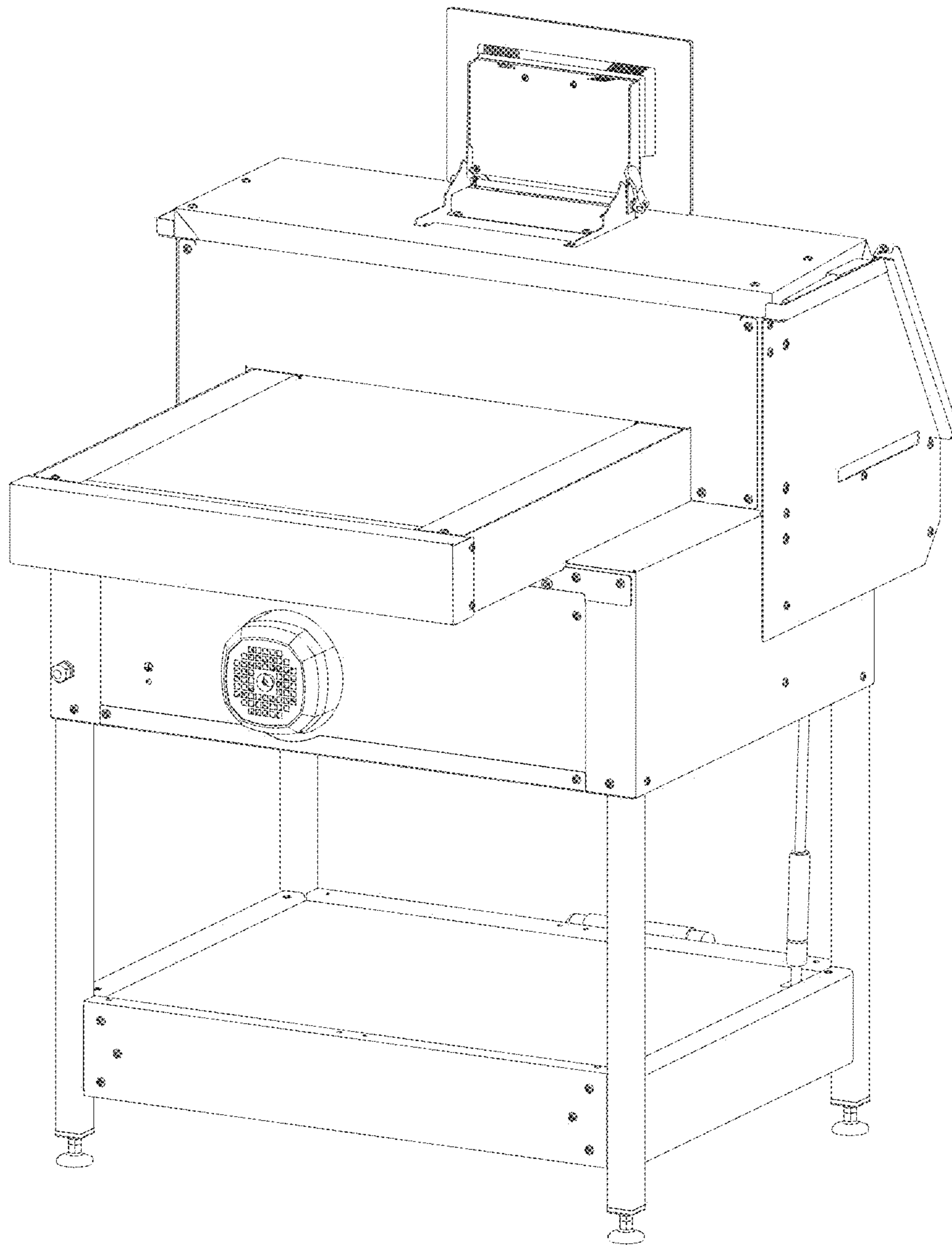


FIG. 2

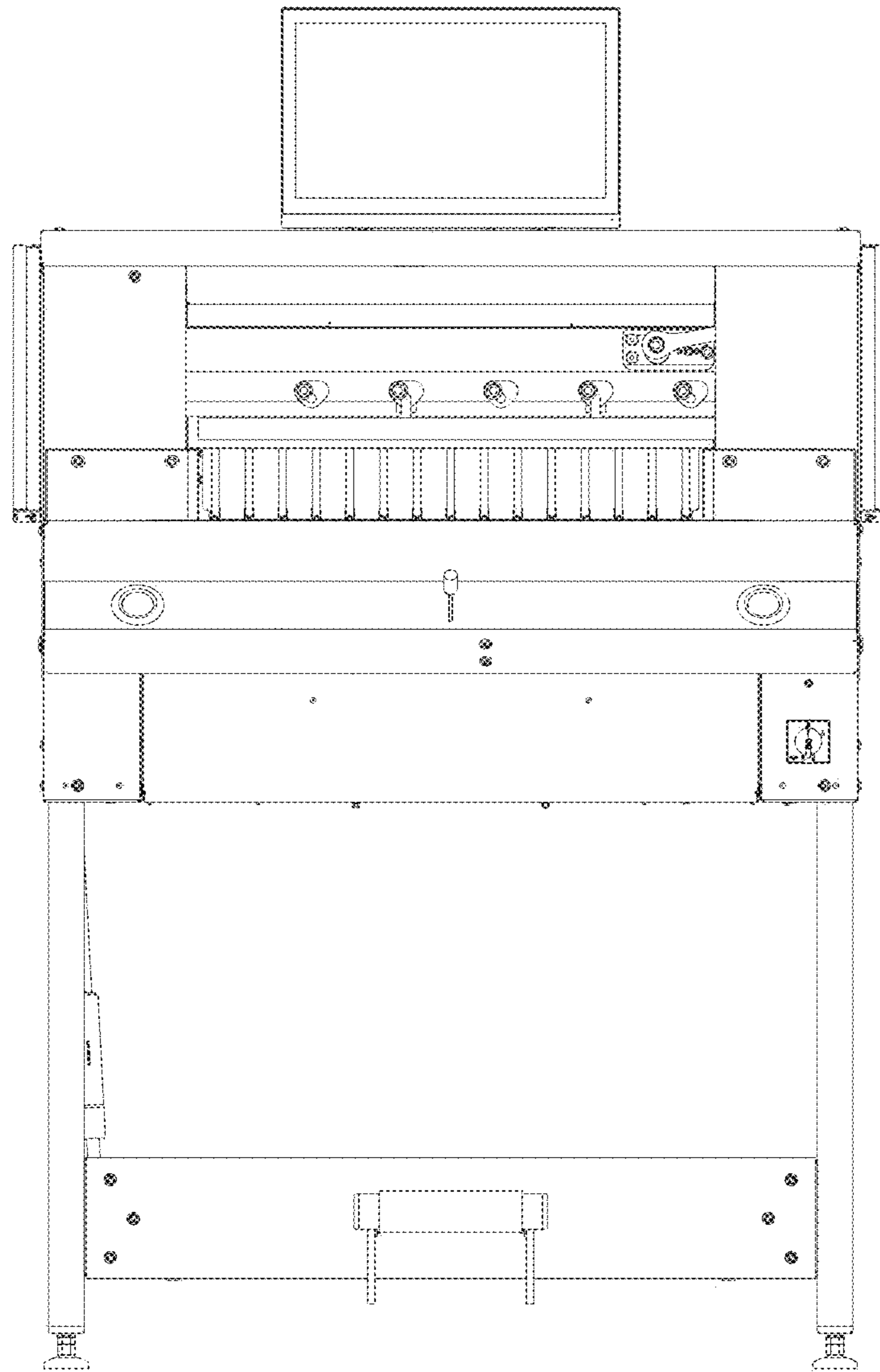


FIG. 3

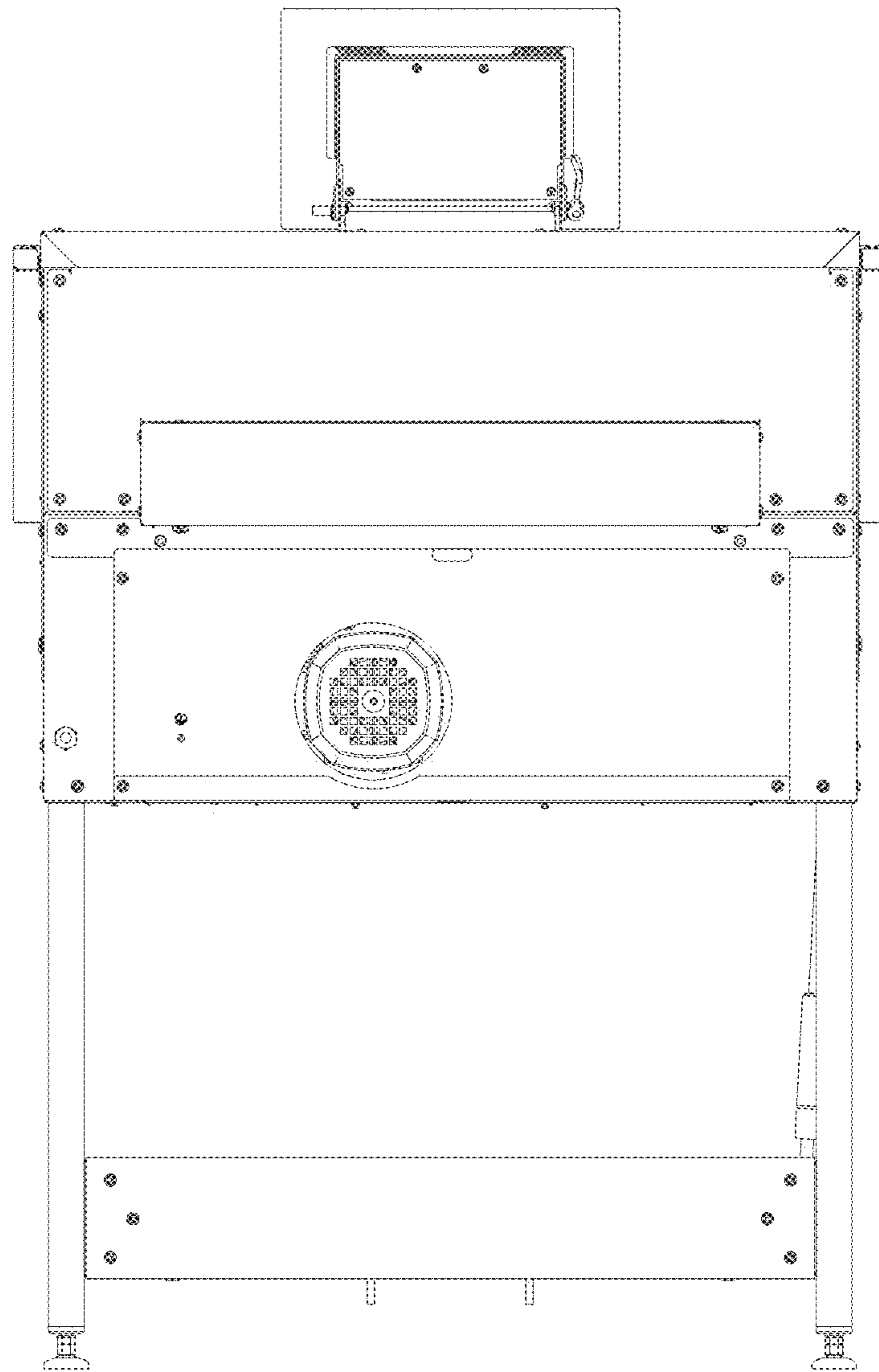


FIG. 4

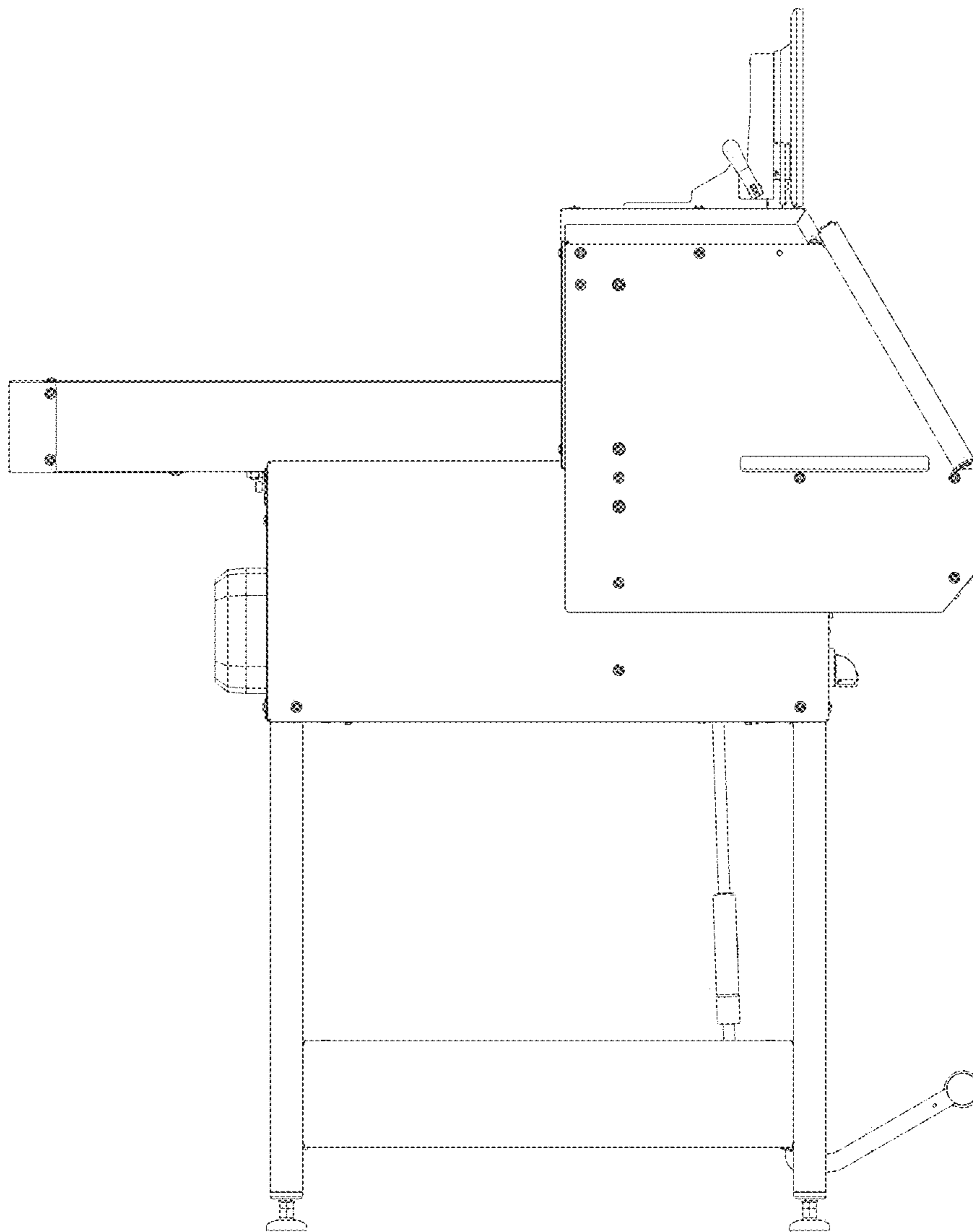


FIG. 5

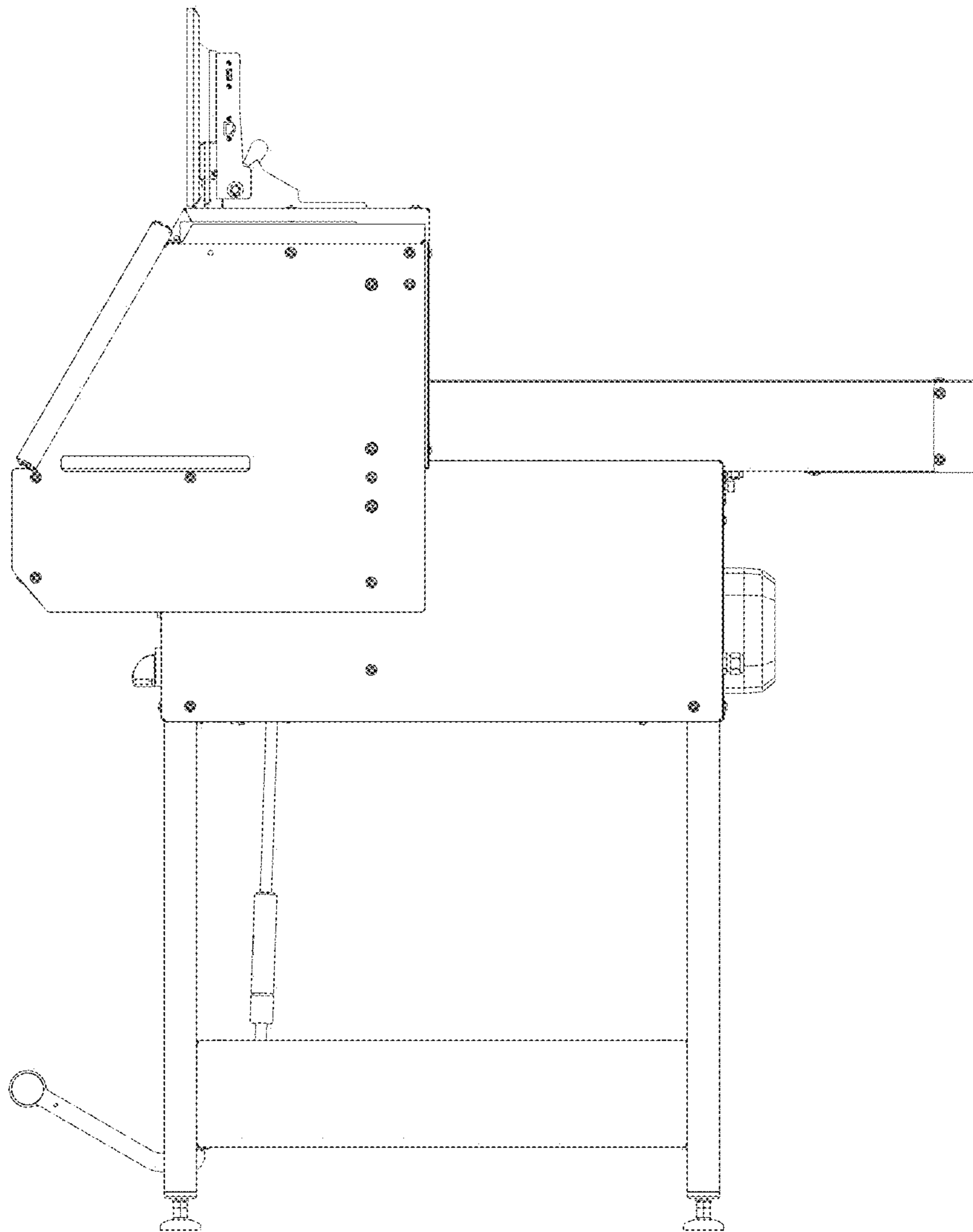


FIG. 6



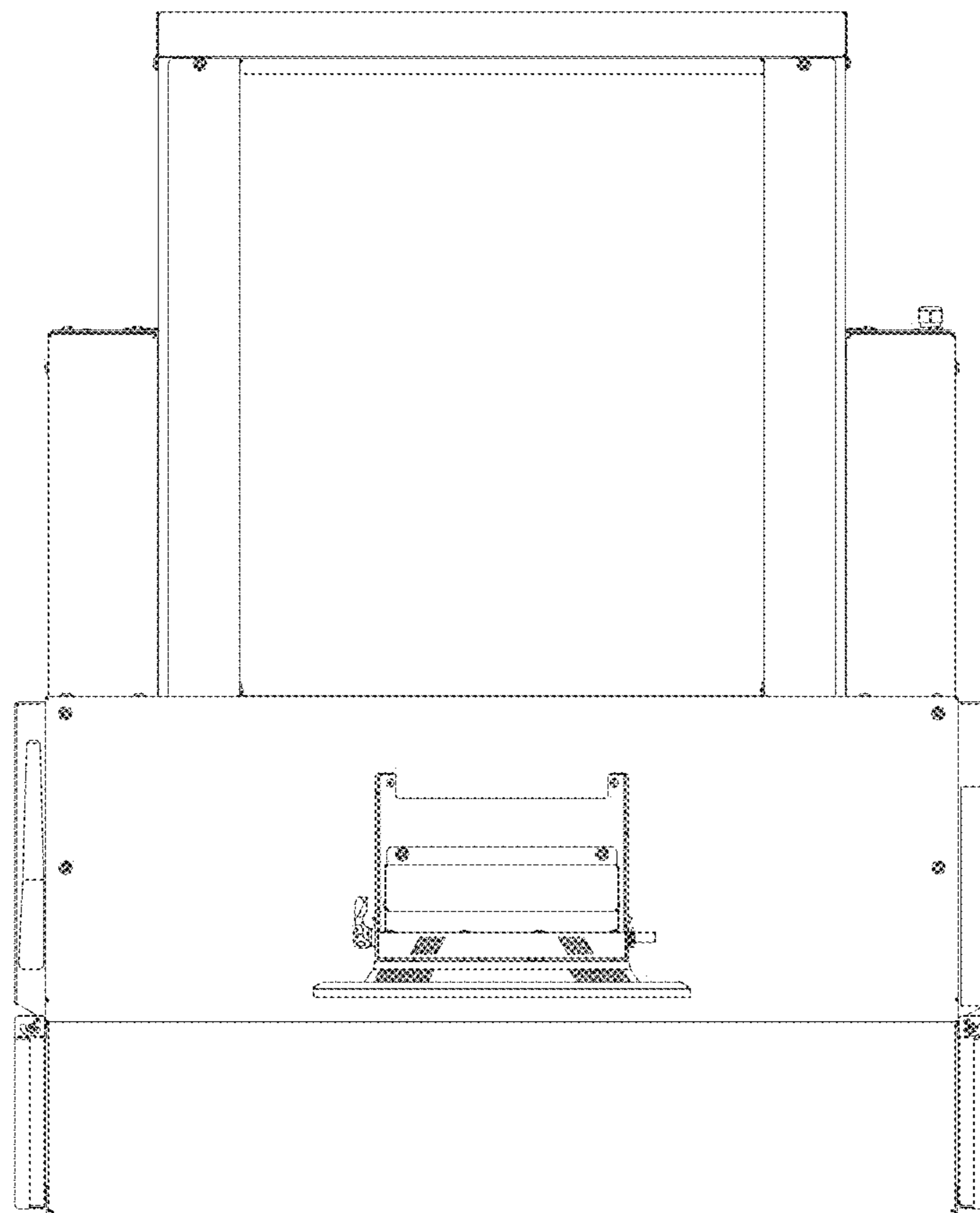


FIG. 7

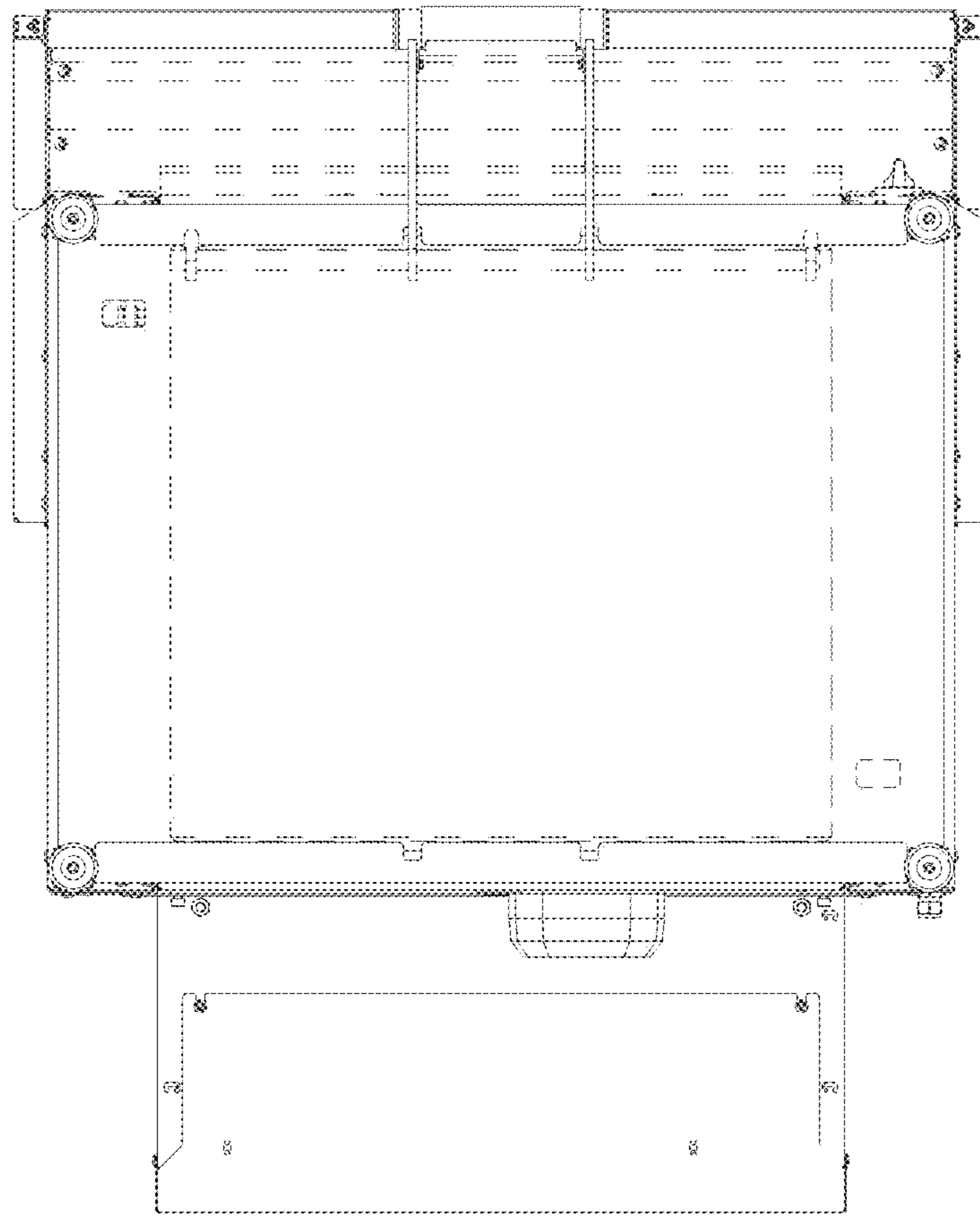


FIG. 8

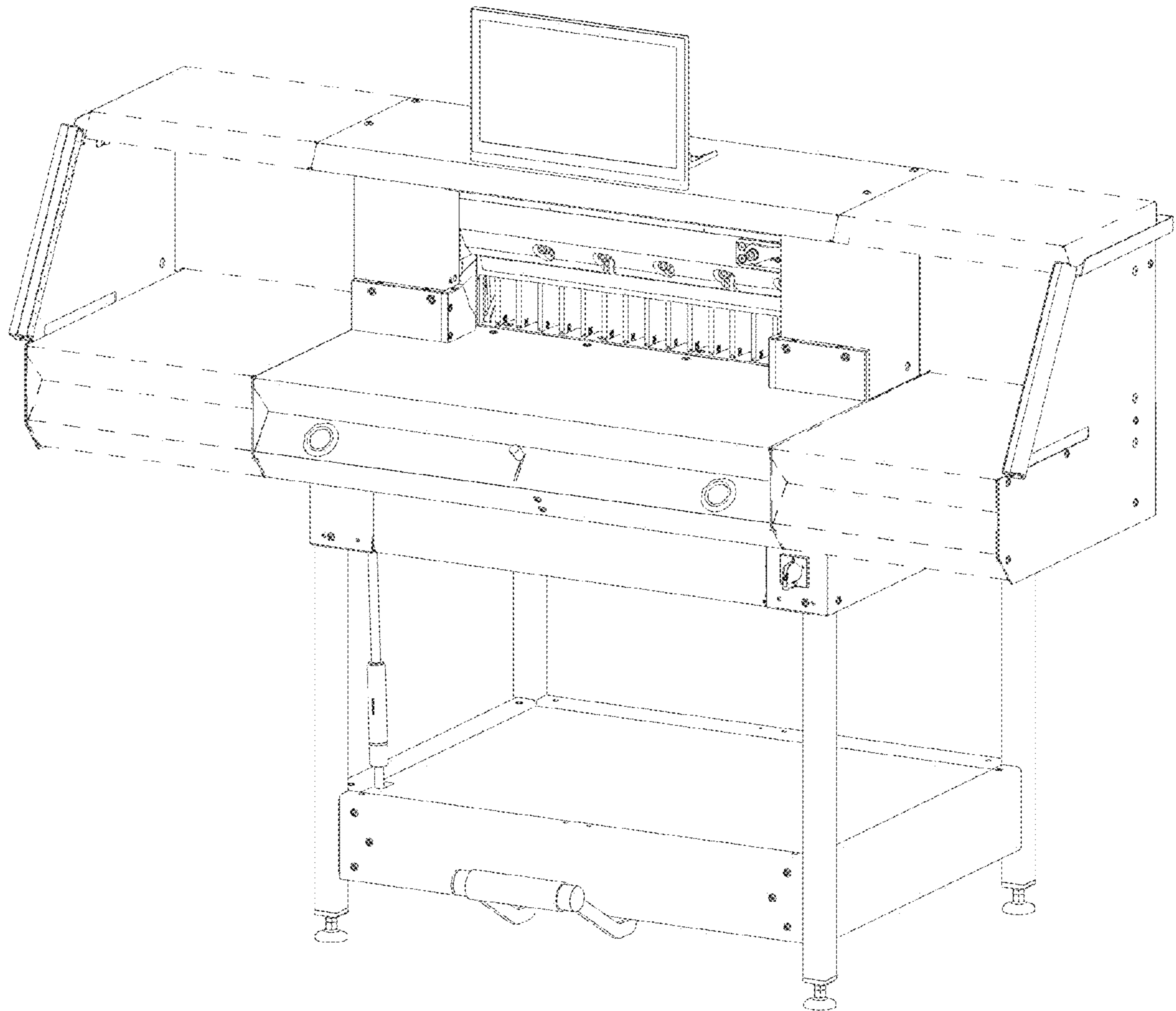


FIG. 9

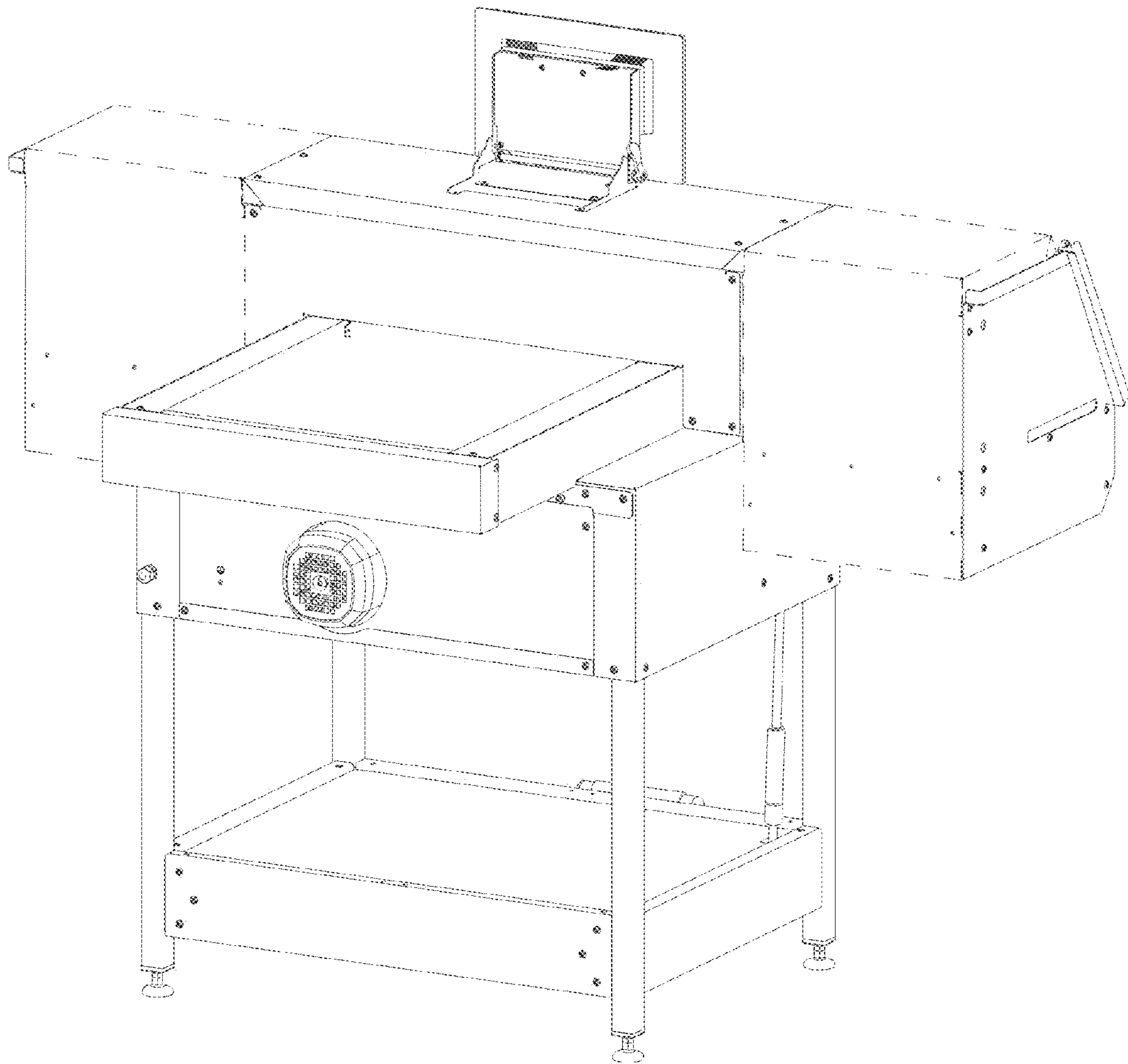


FIG. 10

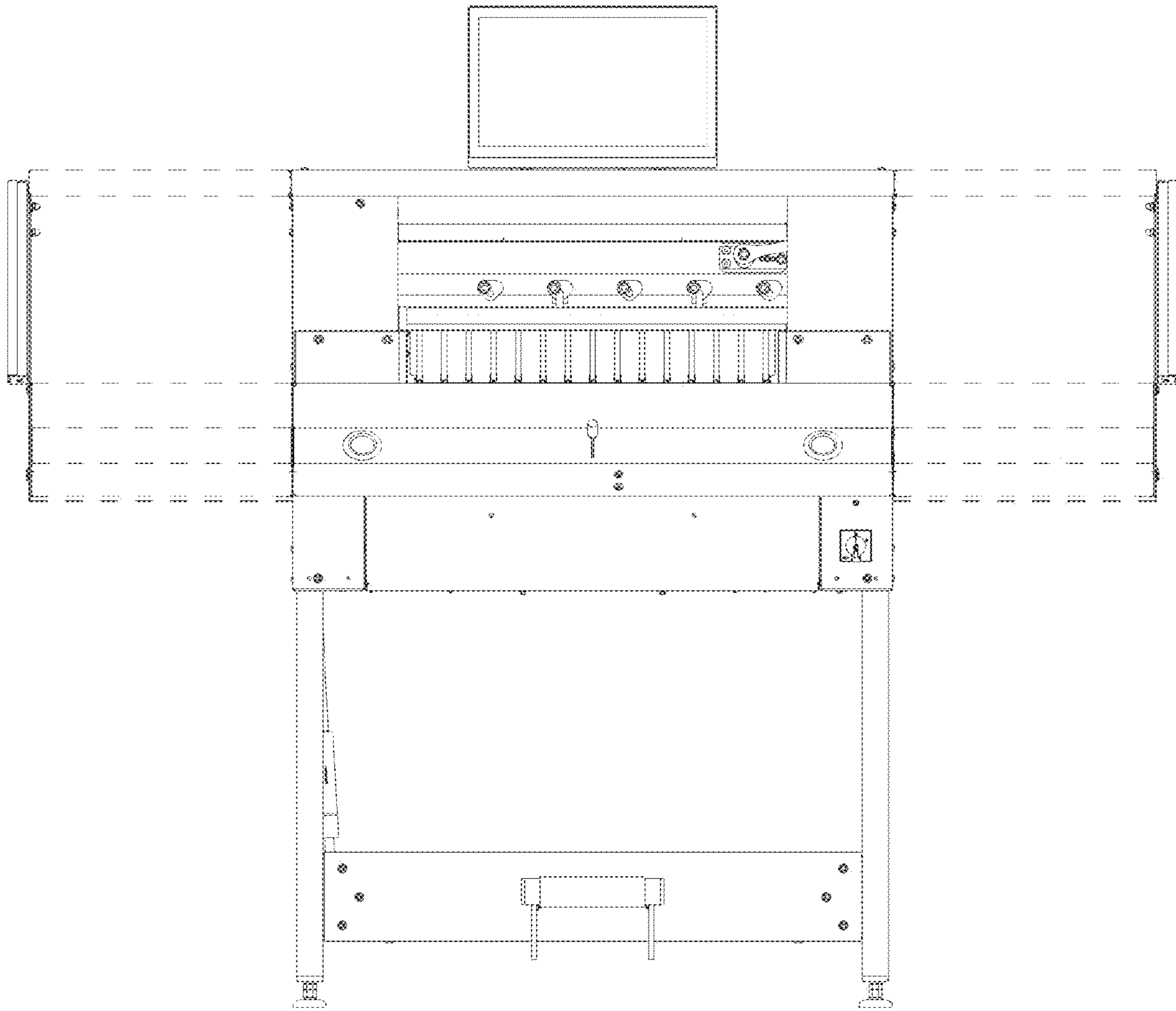


FIG. 11



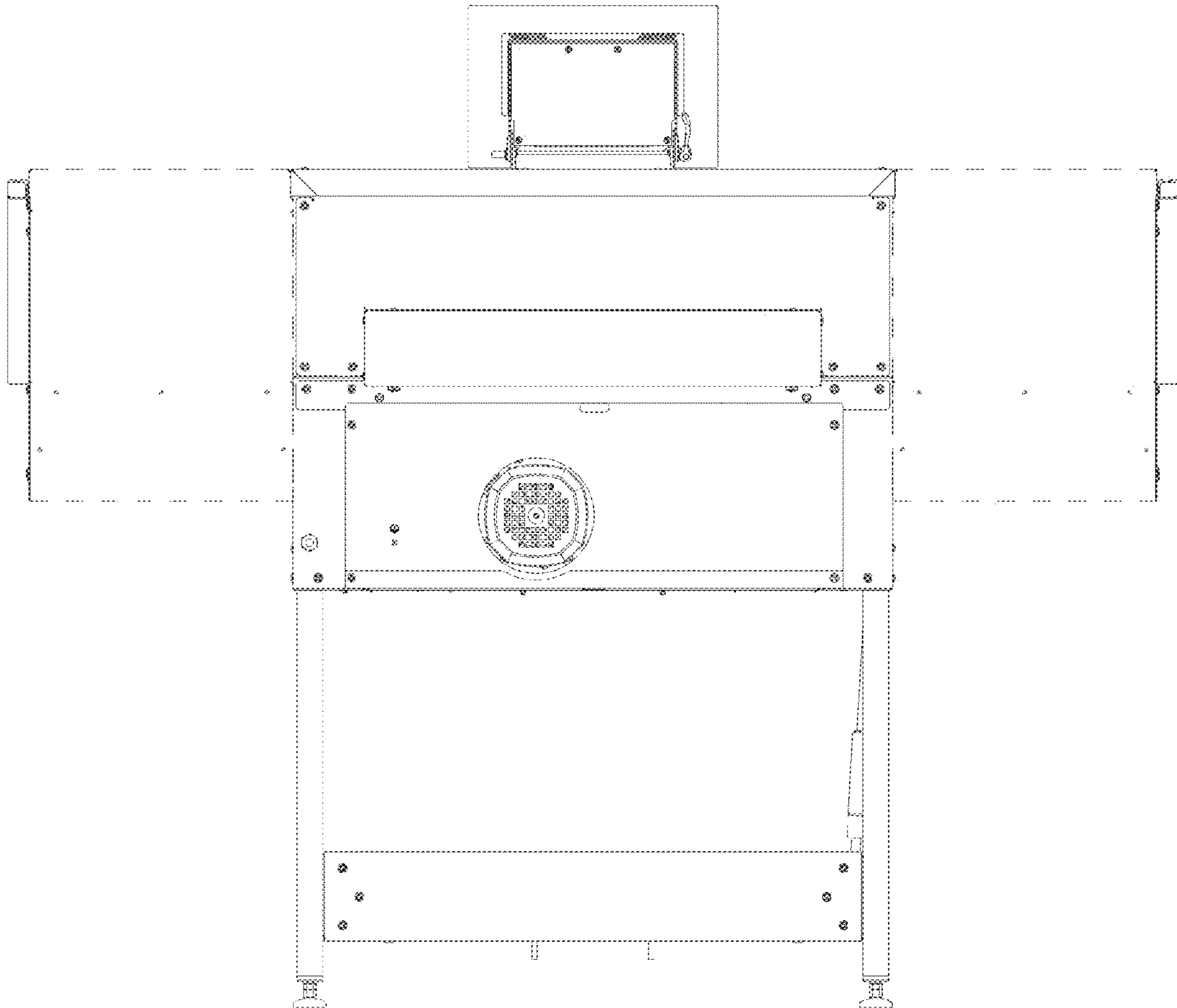


FIG. 12

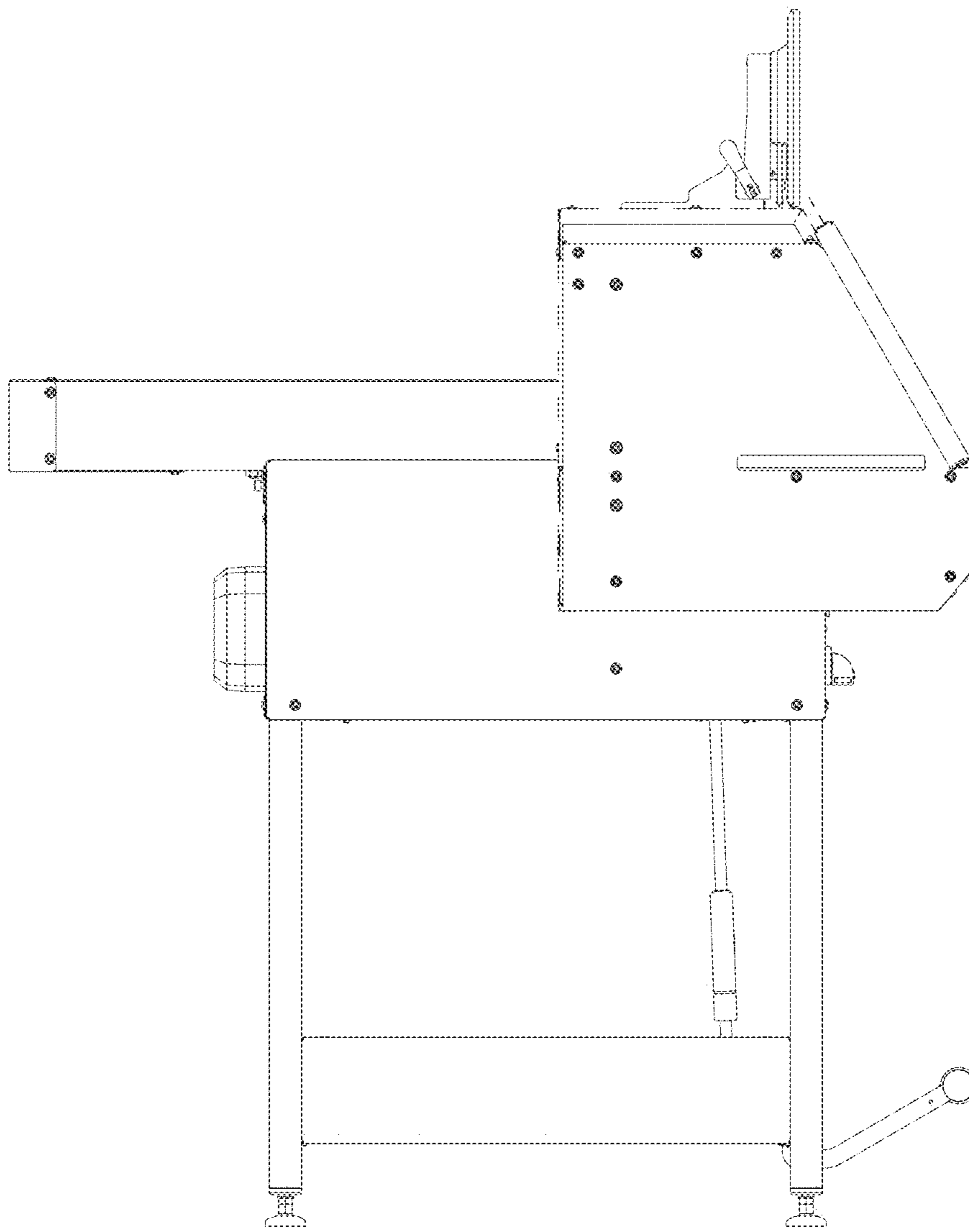


FIG. 13

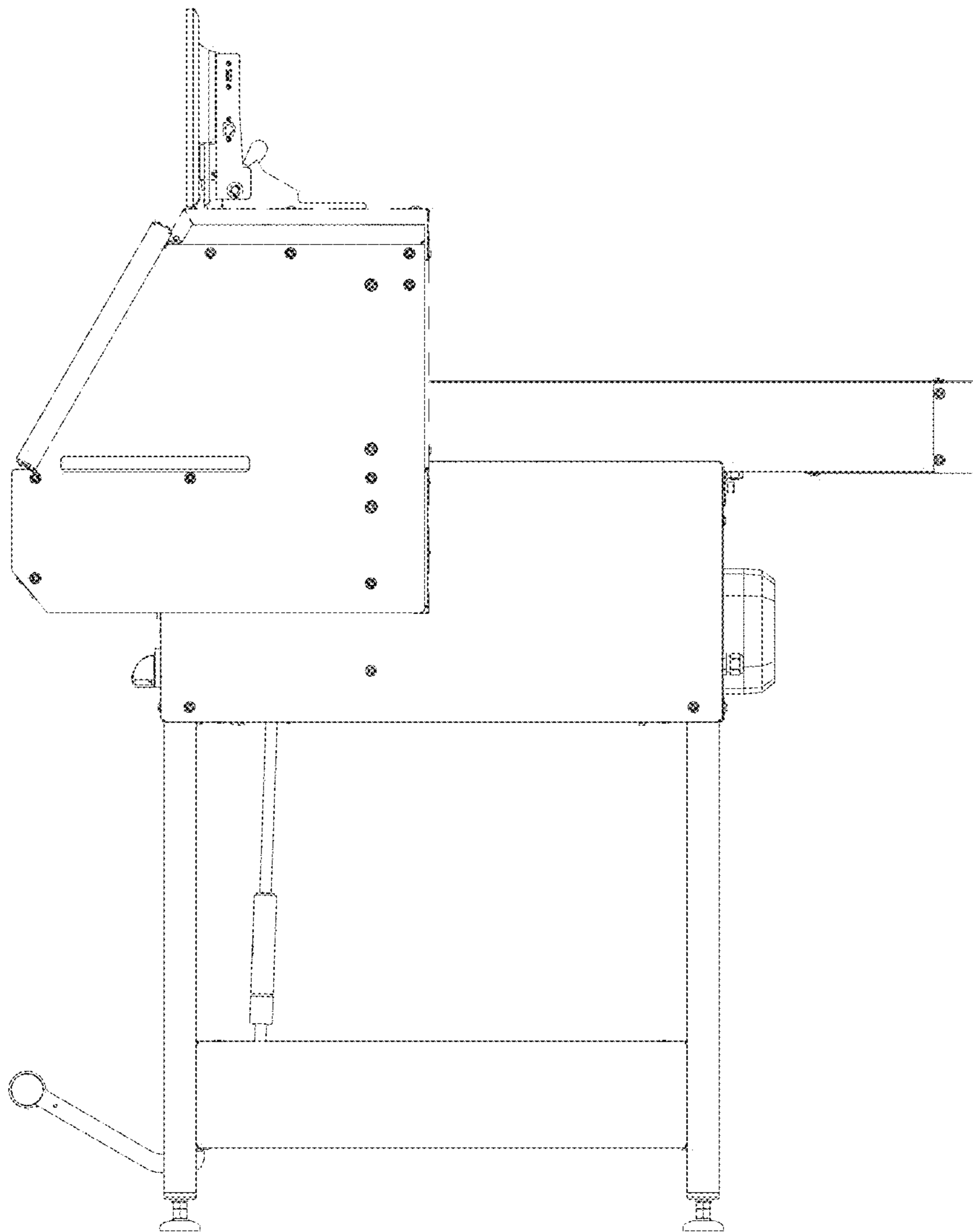


FIG. 14

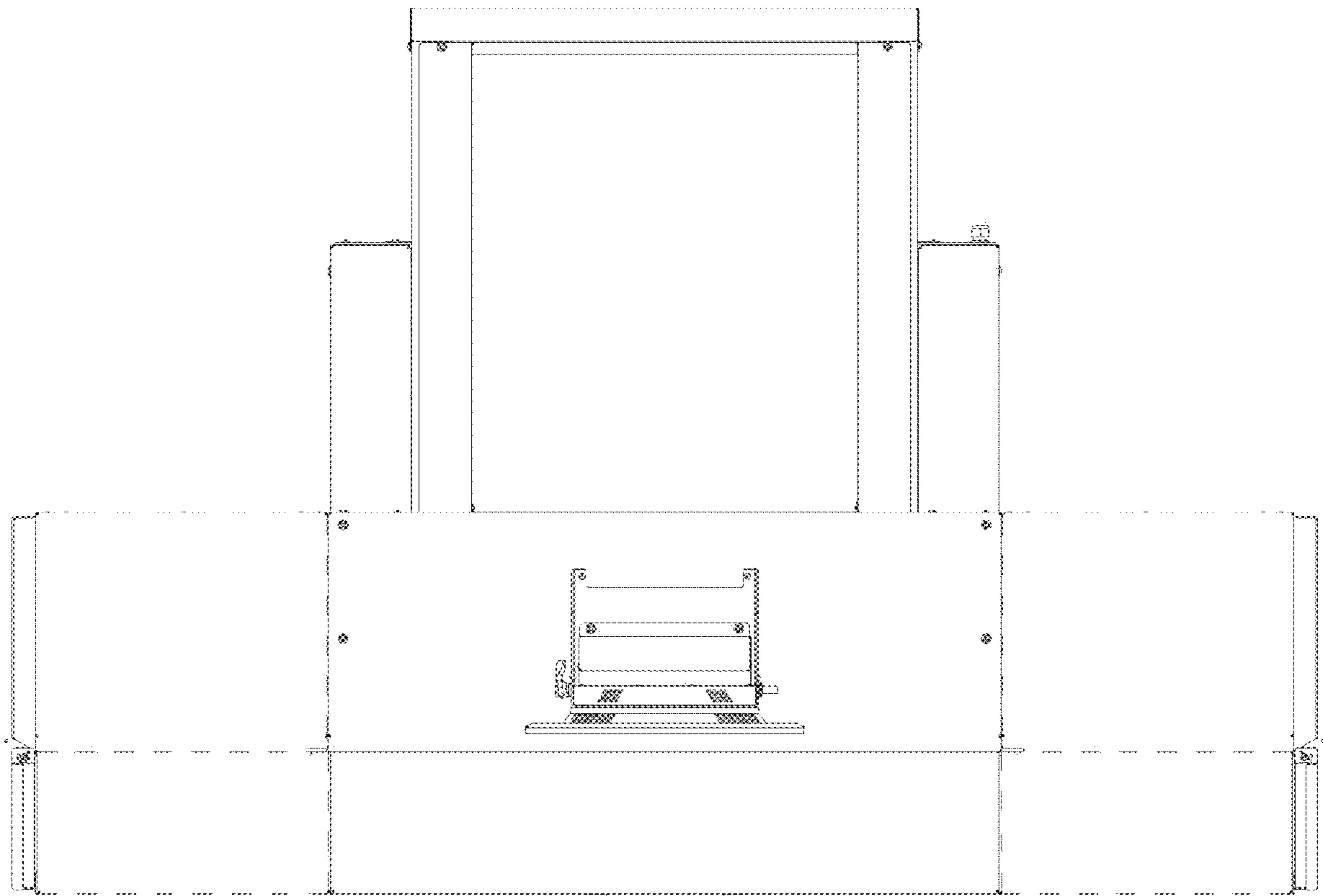


FIG. 15

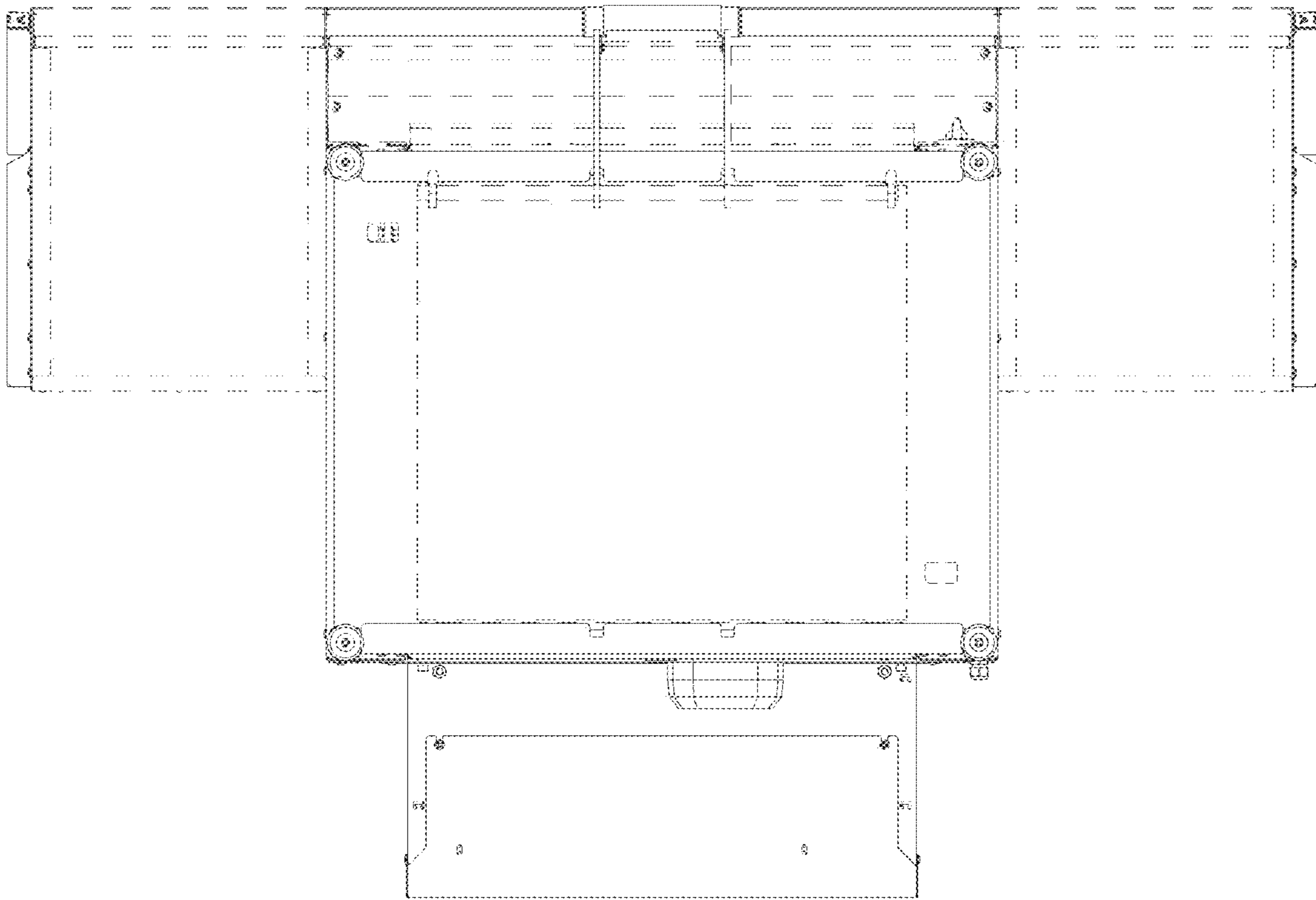


FIG. 16



UNITED STATES PATENT AND TRADEMARK OFFICE  
**CERTIFICATE OF CORRECTION**

PATENT NO. : D979,643 S  
APPLICATION NO. : 29/789242  
DATED : February 28, 2023  
INVENTOR(S) : Daniel Priester

Page 1 of 1

It is certified that error appears in the above-identified patent and that said Letters Patent is hereby corrected as shown below:

On the Title Page

Item (30), Column 1 below the Filed Date:

Insert --Foreign Application Priority Data

Mar. 17, 2021 (EUIPO).....008464200-0001

Mar. 17, 2021 (EUIPO).....008464200-0002

Mar. 17, 2021 (EUIPO).....008464200-0003

Mar. 17, 2021 (EUIPO).....008464200-0004--.

Signed and Sealed this  
Eighth Day of August, 2023



Katherine Kelly Vidal  
*Director of the United States Patent and Trademark Office*