



US00D979642S

(12) **United States Design Patent**  
**Dior**

(10) **Patent No.:** **US D979,642 S**  
(45) **Date of Patent:** **\*\* Feb. 28, 2023**

(54) **TYPEFACE**

- (71) Applicant: **Sirous Dior**, Auckland (NZ)
- (72) Inventor: **Sirous Dior**, Auckland (NZ)
- (73) Assignee: **ALPHA STRUCTURE, LLC**
- (\*\*) Term: **15 Years**
- (21) Appl. No.: **29/767,749**
- (22) Filed: **Jan. 25, 2021**
- (51) **LOC (14) Cl.** ..... **18-03**
- (52) **U.S. Cl.**  
USPC ..... **D18/24; D18/27**
- (58) **Field of Classification Search**  
USPC ..... D18/24, 26, 27, 28, 29, 30, 31, 32, 33;  
101/397, 399; D21/479, 480  
CPC ..... B41B 1/02; G09B 1/04  
See application file for complete search history.

FOREIGN PATENT DOCUMENTS

GB 6140648 \* 6/2021

OTHER PUBLICATIONS

Puzzle font off [on-line]. [Published Aug. 13, 2021.] [Retrieved from the Internet Nov. 5, 2022.] URL: <https://web.archive.org/web/20210813154629/https://creativemarket.com/artkovalev/2320505-Puzzle-font-otf.> (Year: 2021).\*

\* cited by examiner

*Primary Examiner* — Karen E Eldridge Powers  
(74) *Attorney, Agent, or Firm* — Hayes Soloway P.C.

(56) **References Cited**

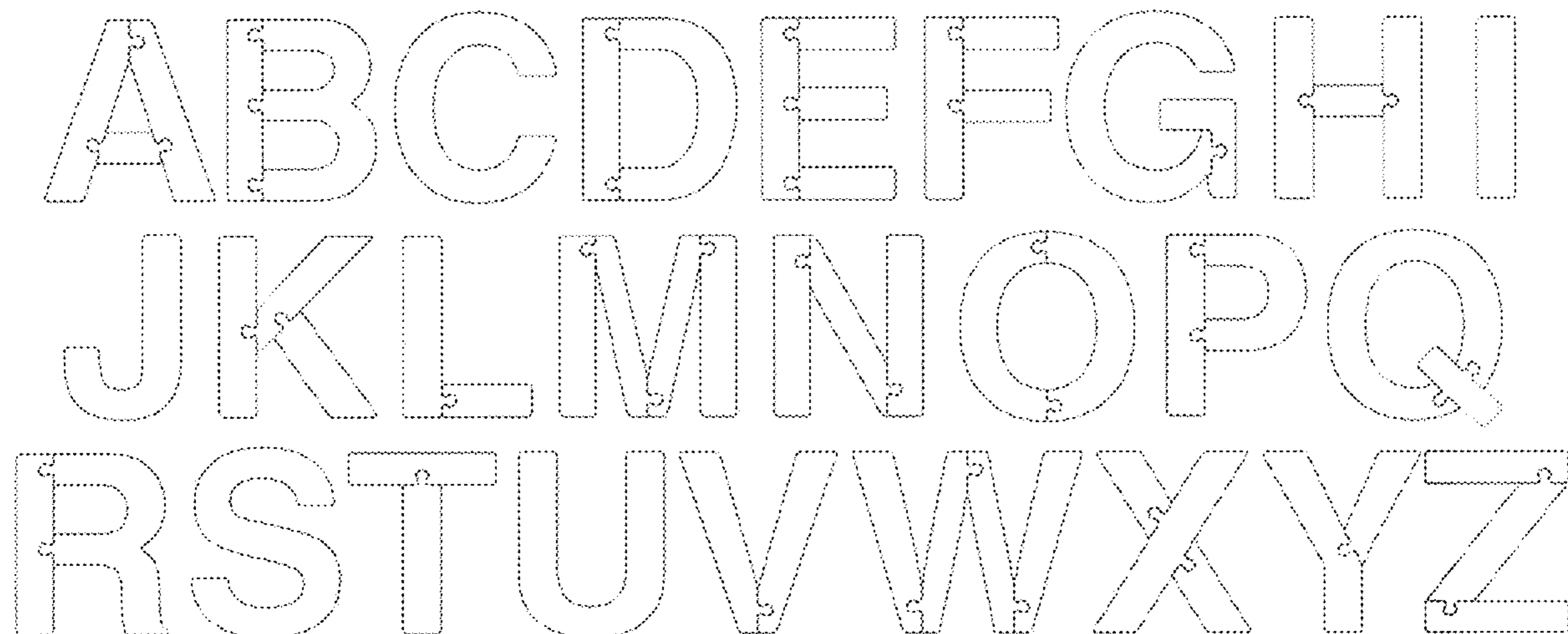
U.S. PATENT DOCUMENTS

- 187,420 A \* 2/1877 Schmitthenner ..... G09B 17/00  
D18/24
- 800,721 A 10/1905 Coolidge
- D163,085 S \* 5/1951 Bishop ..... 446/128
- 4,690,410 A \* 9/1987 Berton ..... A63F 9/0098  
273/299
- 4,998,883 A 3/1991 Brinkley ..... 434/159
- 5,230,508 A \* 7/1993 Tabler ..... A63F 9/10  
273/157 R
- D350,772 S \* 9/1994 King ..... D19/64
- D360,657 S \* 7/1995 Barnard ..... D18/24
- 5,620,324 A \* 4/1997 Rettke ..... G09B 1/40  
434/193
- D692,050 S \* 10/2013 Jimenez ..... D18/27
- 2021/0027642 A1 \* 1/2021 Dior ..... A63F 9/1208

**DESCRIPTION**

FIG. 1 is a face view of a typeface in upper-case characters; FIG. 2 is a face view of the typeface in lower-case characters; FIG. 3 is an enlarged face view of sample upper-case characters of the typeface for clarity in illustration; FIG. 4 is an enlarged face view of sample lower-case characters of the typeface for clarity in illustration; FIG. 5 is an enlarged face view of sample upper-case characters of the typeface for clarity in illustration; and, FIG. 6 is an enlarged face view of sample lower-case characters of the typeface for clarity in illustration.

**1 Claim, 6 Drawing Sheets**



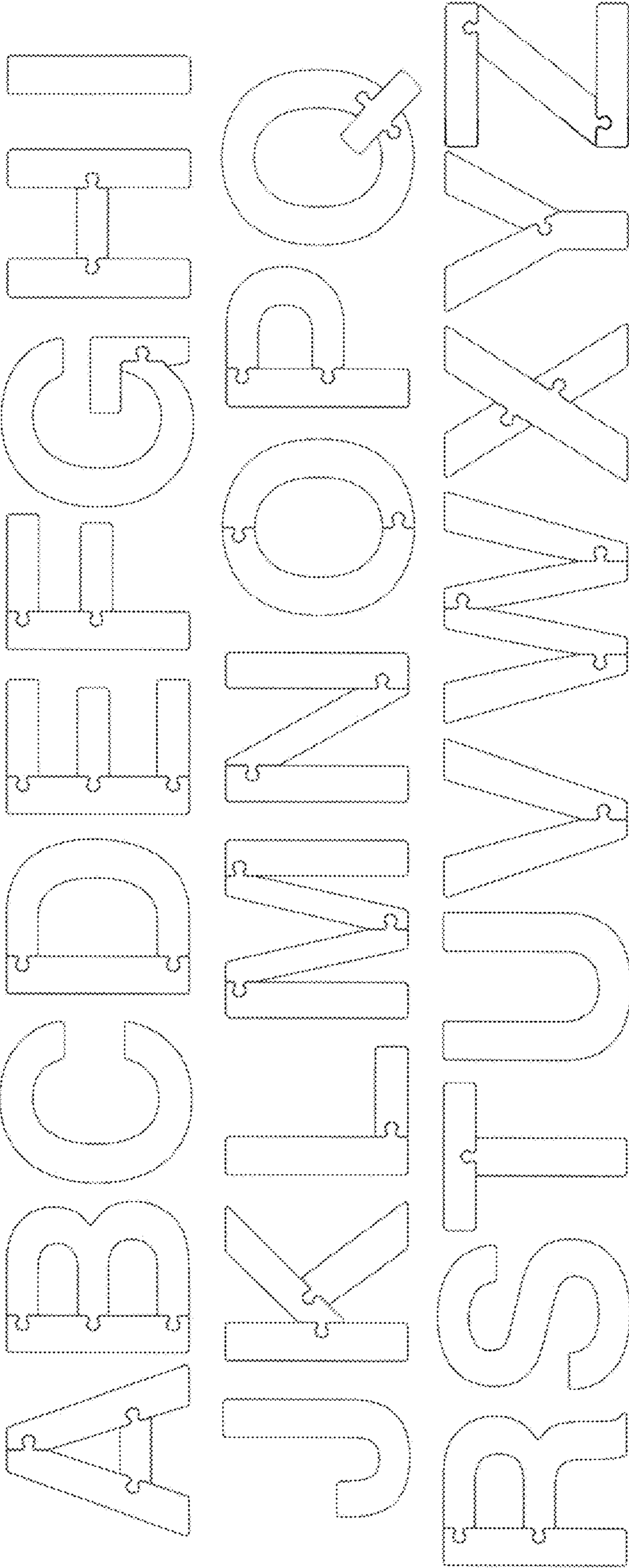


FIG. 1

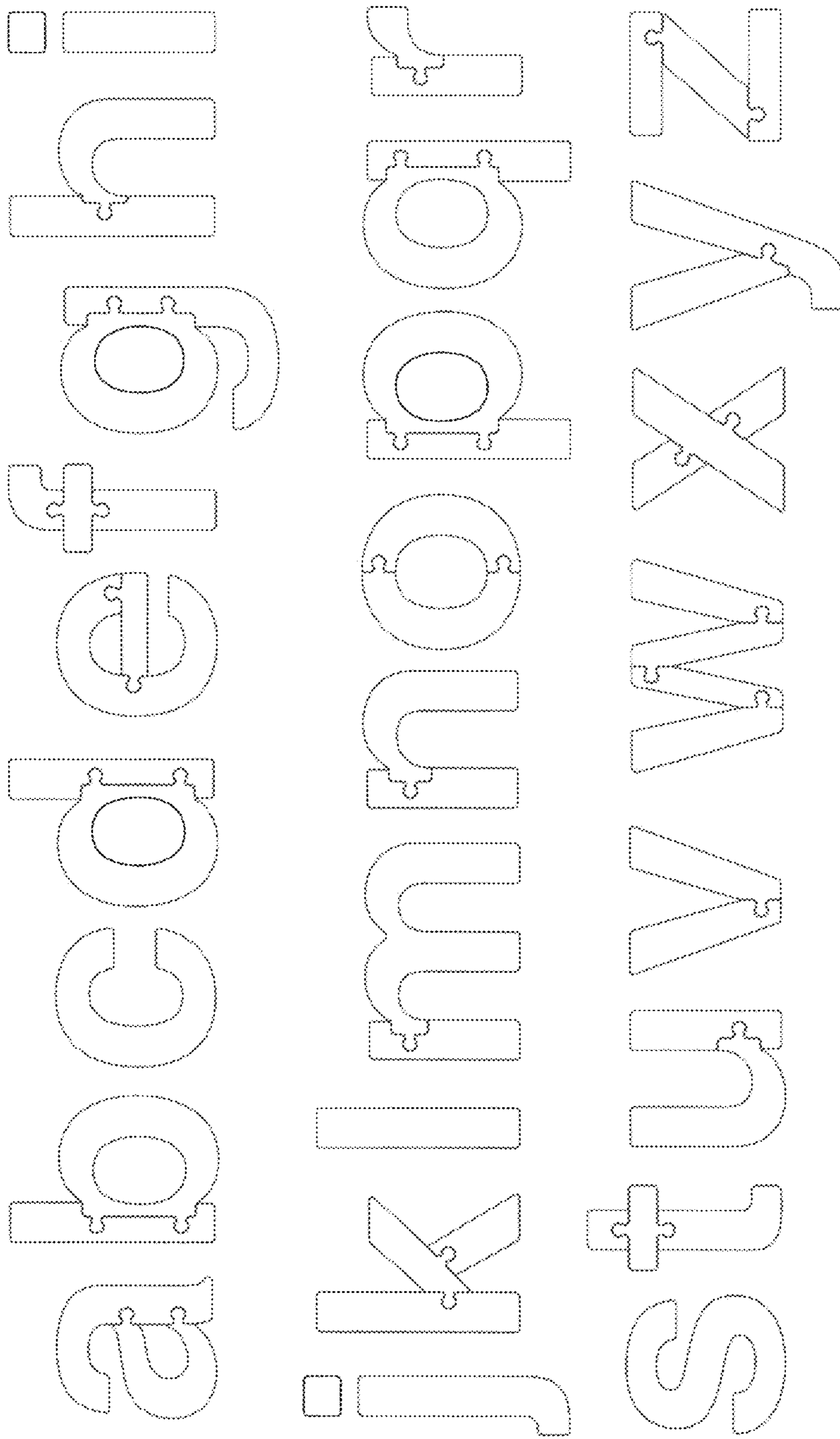


FIG. 2

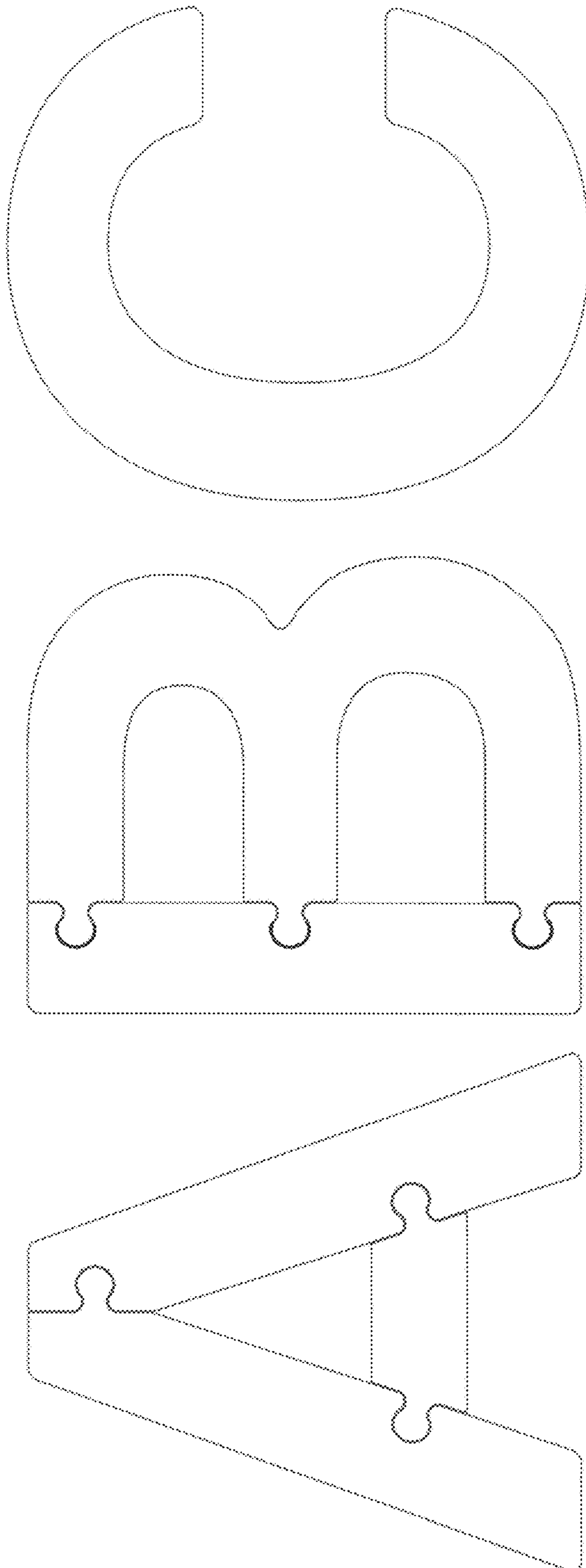


FIG. 3

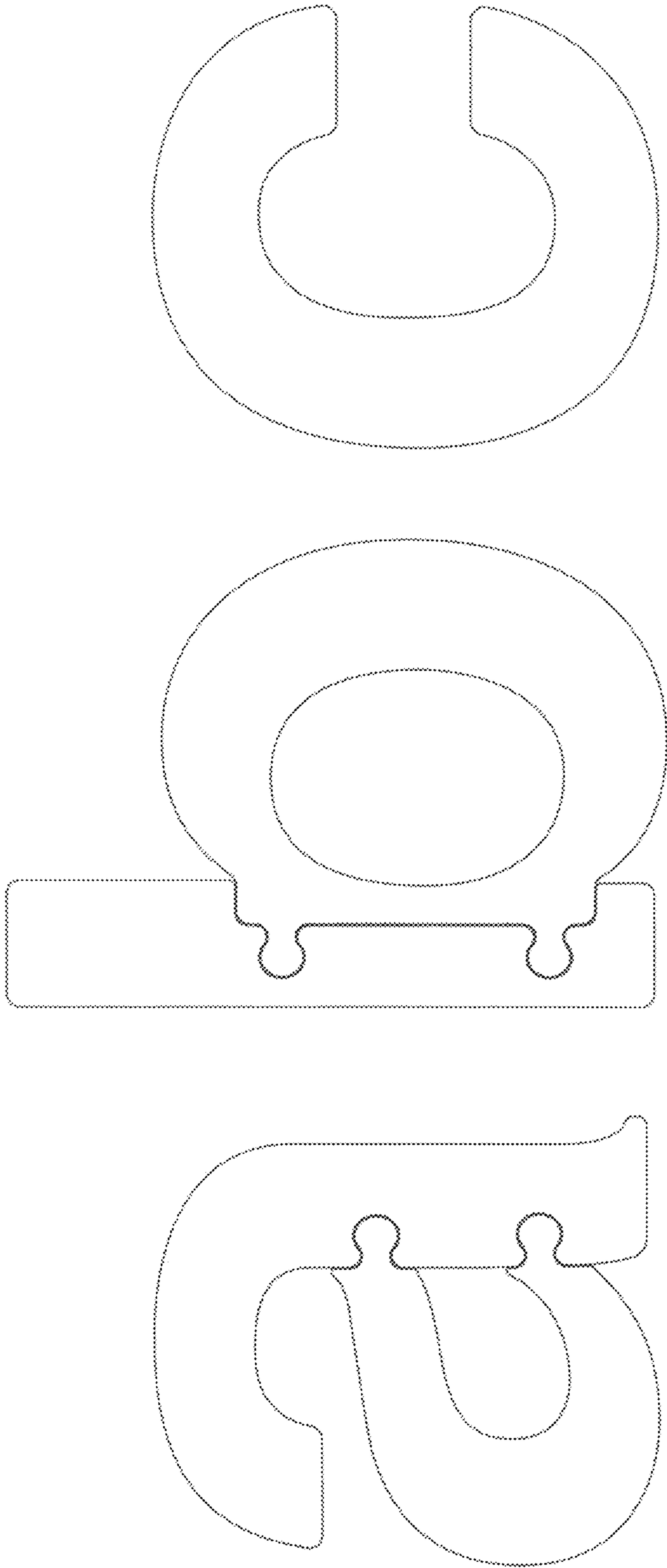


FIG. 4

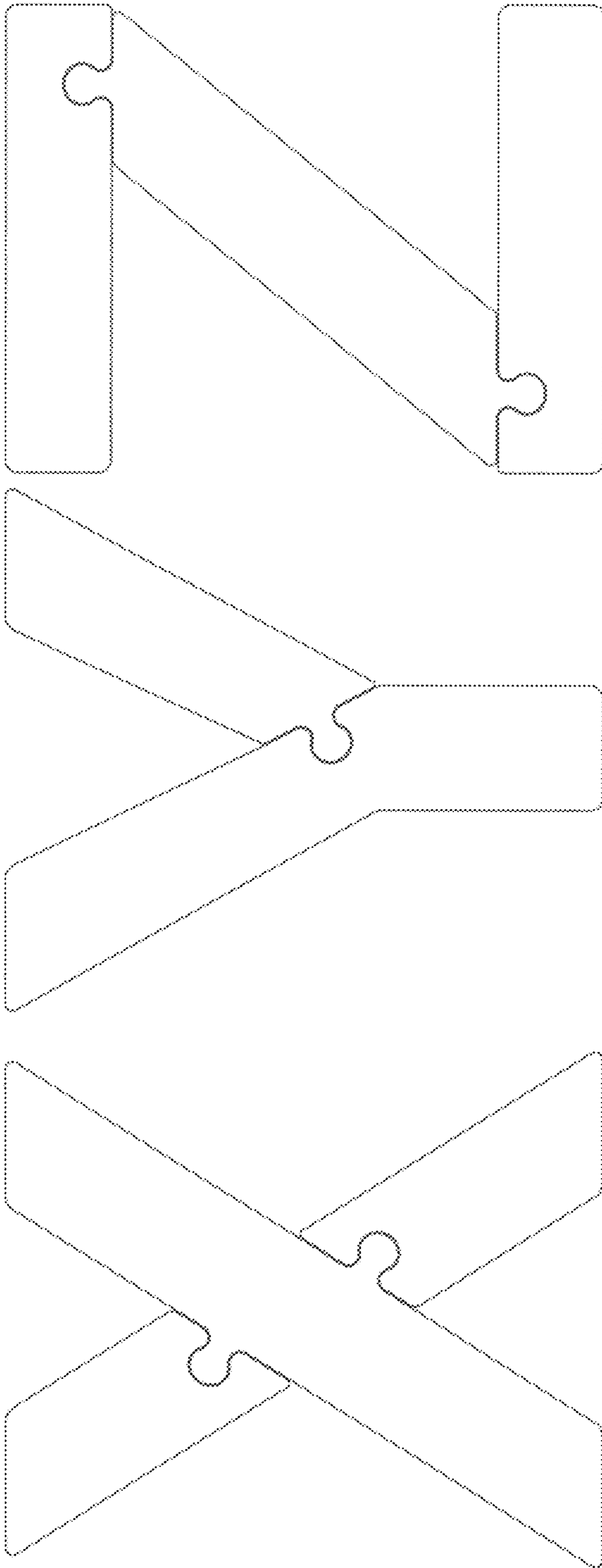


FIG. 5

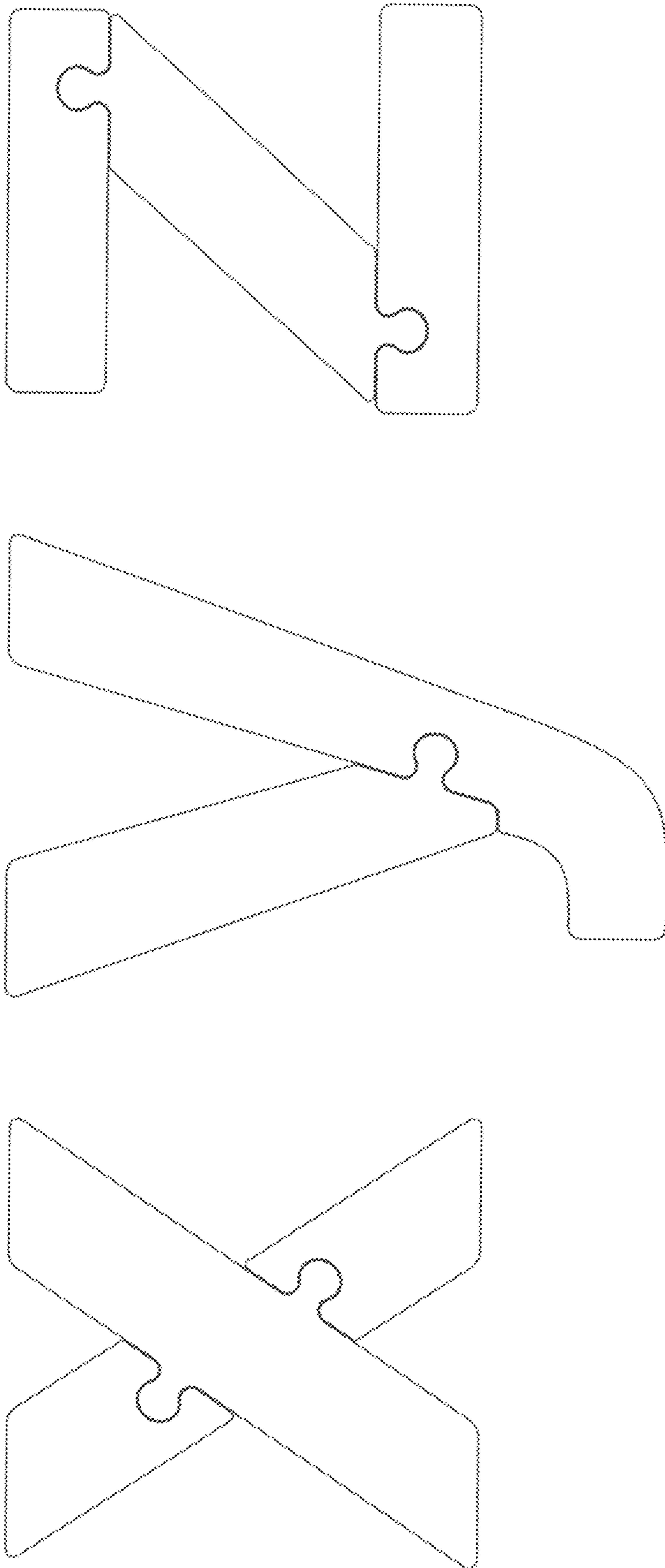


FIG. 6