



US00D979639S

(12) **United States Design Patent** (10) **Patent No.:** **US D979,639 S**
Park (45) **Date of Patent:** **** Feb. 28, 2023**

(54) **EYEGLASS TEMPLE**
(71) Applicant: **Min Gyu Park**, Busan (KR)
(72) Inventor: **Min Gyu Park**, Busan (KR)
(**) Term: **15 Years**

D383,479 S * 9/1997 Guo D16/335
D392,992 S * 3/1998 Freeman D16/335
D394,447 S * 5/1998 Khantzis D16/334
D417,462 S * 12/1999 Chang D16/338
D449,640 S * 10/2001 Grundy D16/337
D629,445 S * 12/2010 Agnoli D16/335

(Continued)

(21) Appl. No.: **29/800,137**
(22) Filed: **Jul. 19, 2021**
(51) **LOC (14) Cl.** **16-06**
(52) **U.S. Cl.**
USPC **D16/335**
(58) **Field of Classification Search**
USPC D16/300, 306, 307, 308, 318, 321, 330,
D16/341, 342, 335, 336, 338
See application file for complete search history.

OTHER PUBLICATIONS

Google Image Search: "animal eyeglass temple tips", [site visited Aug. 13, 2022]. Available from Internet, <URL: https://www.google.com/search?q=animal+eyeglass+temple+tips&sxsrf=ALiCzsYgb6-I2QAO49Xhucp0g8WD_s7dEg:1660418936642&source=lnms&tbm=isch&sa=X&ved=2ahUKewilsZXHxsT5AhXLGVkFHbi0CCYQ_AUoAnoECAEQBA&biw=1920&bih=937&dpr=1> (Year: 2022).*

(Continued)

Primary Examiner — Sanjeev Paul
(74) *Attorney, Agent, or Firm* — IPLA P.A.

(56) **References Cited**
U.S. PATENT DOCUMENTS

(57) **CLAIM**

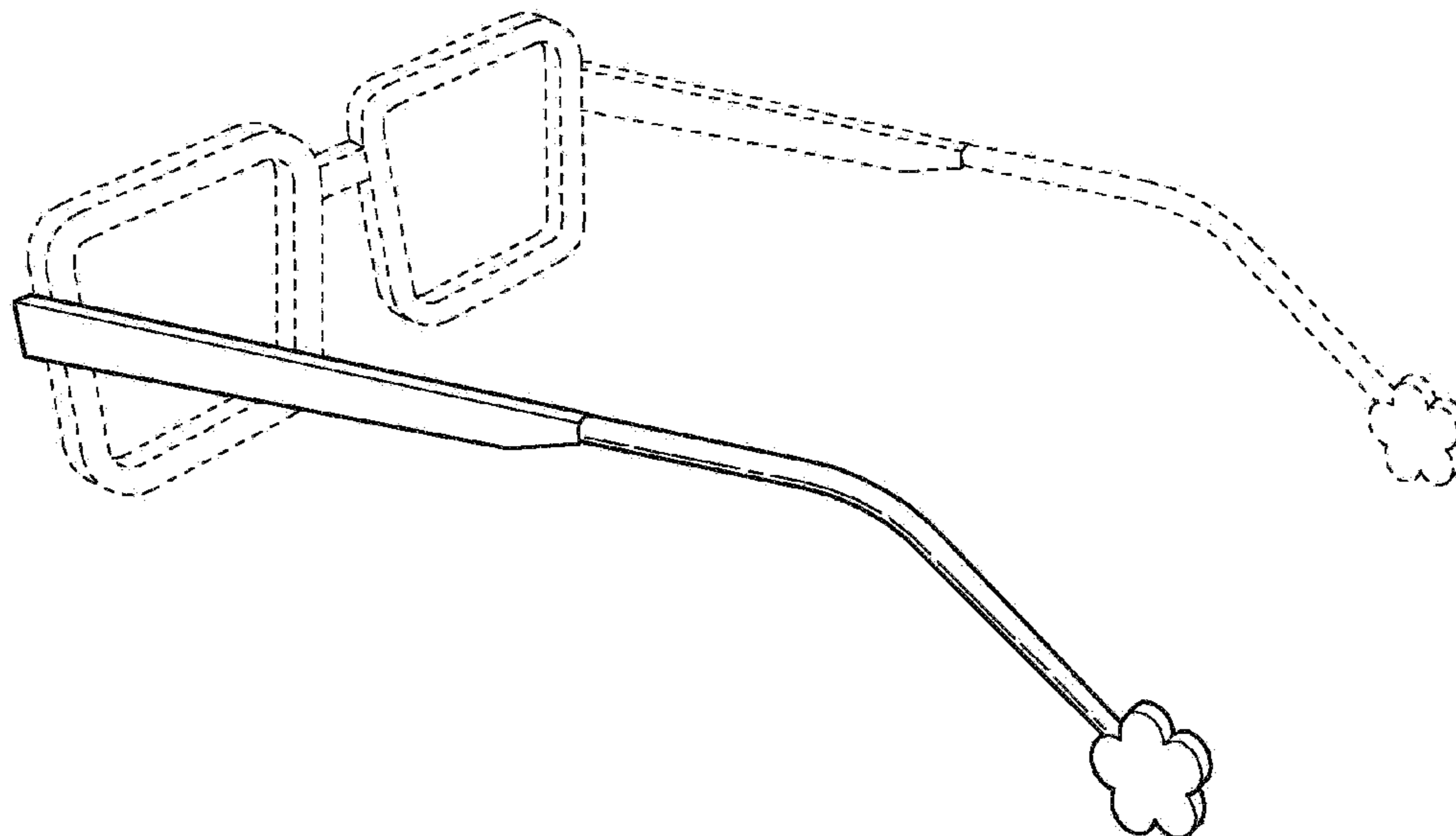
The ornamental design for an eyeglass temple, as shown and described.

207,844 A * 9/1878 Blair G02C 5/143
351/123
D44,504 S * 8/1913 Wells D16/330
D51,955 S * 4/1918 Desha D16/307
D97,957 S * 12/1935 Reynolds D16/335
D142,827 S * 11/1945 Barrett D16/335
D176,941 S * 2/1956 Courtney 57/1 R
D178,154 S * 6/1956 Stegeman D16/335
D180,735 S * 8/1957 Johnson D16/336
D200,601 S * 3/1965 Meyers D16/335
D204,696 S * 5/1966 Glass D16/307
D205,314 S * 7/1966 Boxer D16/306
D218,572 S * 9/1970 Simon D16/325
D225,688 S * 12/1972 Wick D16/318
4,139,281 A * 2/1979 Luttner G02C 11/00
351/158
D367,288 S * 2/1996 Francavilla D16/335
D370,931 S * 6/1996 Huang D16/337
D371,568 S * 7/1996 Nakabayashi D16/335
D371,569 S * 7/1996 Mikame D16/335
D374,884 S * 10/1996 Jannard D16/335
D375,112 S * 10/1996 Jannard D16/335

DESCRIPTION

FIG. 1 is a perspective view of my new design showing an eyeglass temple;
FIG. 2 is a front elevation view there thereof;
FIG. 3 is a top plan view thereof;
FIG. 4 is a bottom plan view thereof;
FIG. 5 is a left side elevation view thereof;
FIG. 6 is a right side elevation view thereof;
FIG. 7 is a rear elevation view thereof; and,
FIG. 8 is another perspective view of my new design showing an eyeglass temple.
The broken lines shown in the drawings are included for the purpose of illustrating environmental subject matter and form no part of the claimed design.

1 Claim, 2 Drawing Sheets



(56)

References Cited

U.S. PATENT DOCUMENTS

D751,616	S *	3/2016	McKinish	D16/101
D783,707	S *	4/2017	Uhm	D16/335
D839,340	S *	1/2019	Zargari	D16/338
D862,569	S *	10/2019	Huang	D16/335
D877,237	S *	3/2020	Bhatia	D16/335
D900,209	S *	10/2020	Marzano	D16/341
D904,503	S *	12/2020	Lee	D16/335
D939,016	S *	12/2021	Billings	D16/330
2015/0146157	A1 *	5/2015	Tipp	G02C 11/02 351/52
2018/0267337	A1 *	9/2018	Walker	G02C 5/02
2022/0187619	A1 *	6/2022	Safdieh	G02C 3/02
2022/0244574	A1 *	8/2022	Bailey	G02C 1/06

OTHER PUBLICATIONS

Google Image Search: “animal eyeglass temples”, [site visited Aug. 13, 2022]. Available from Internet, <URL: https://www.google.com/search?q=animal+eyeglass+temples&sxsrf=ALiCzsZGEw3qnviu7gIhMqYXhYInU96cJA:1660418625764&source=lnms&tbm=isch&sa=X&ved=2ahUKewjFrfeycT5AhVVEIkFHRkVAikQ_AUoAnoECAEQBA&biw=1920&bih=937&dpr=1> (Year: 2022).*

* cited by examiner

FIG. 1

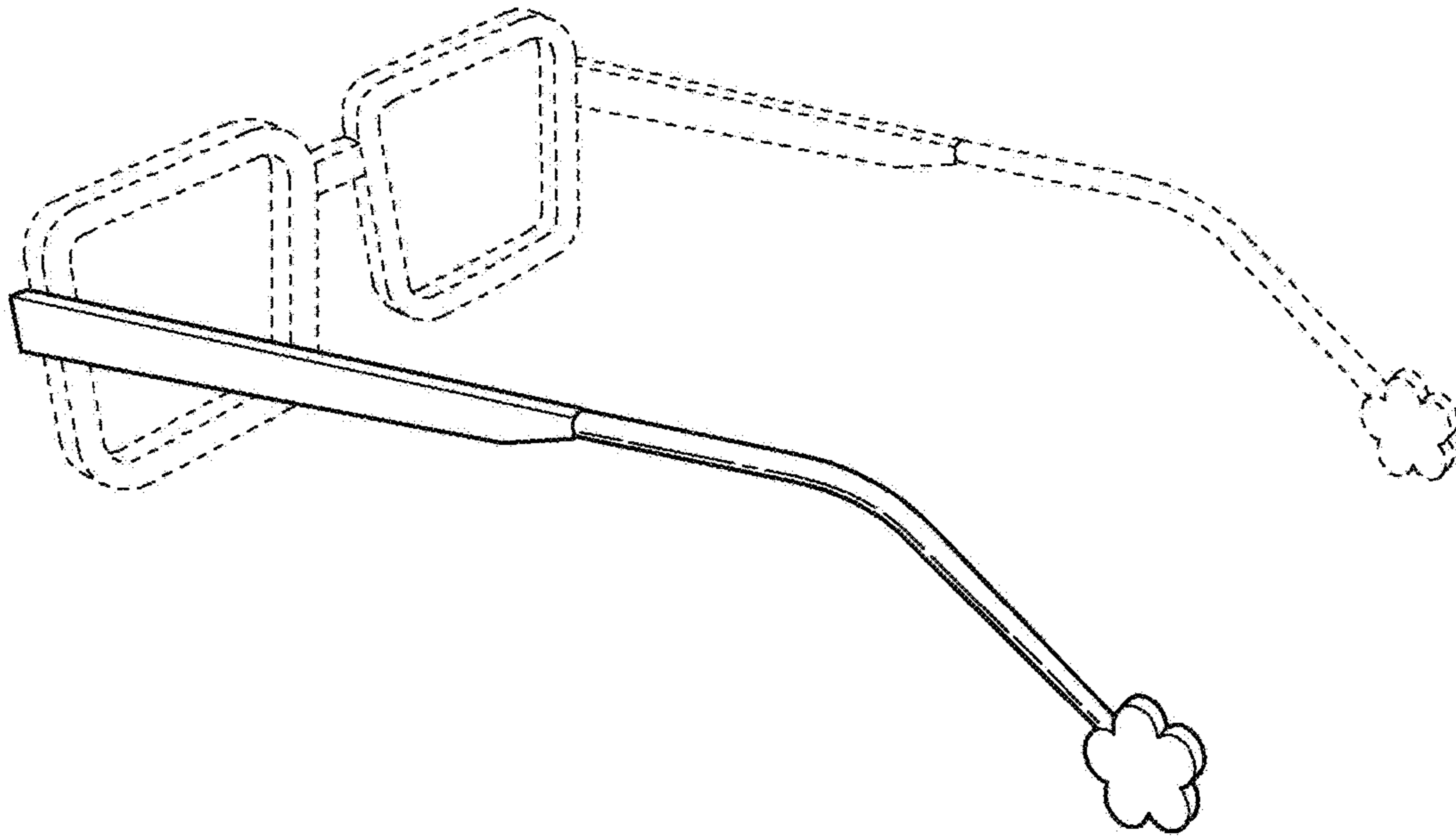


FIG. 3

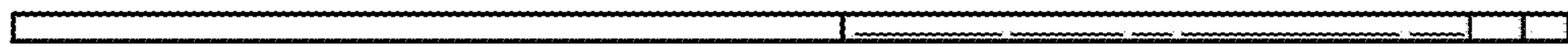


FIG. 5

FIG. 2

FIG. 6

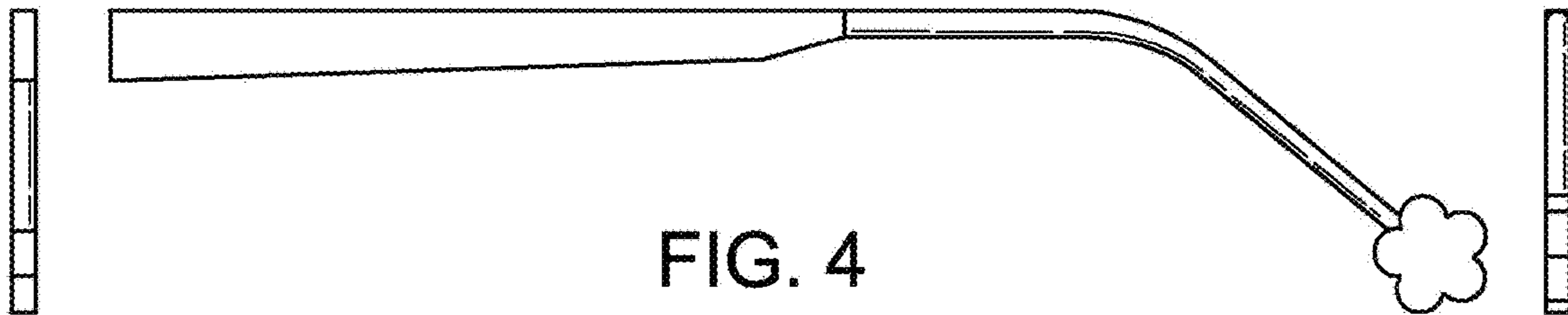


FIG. 4

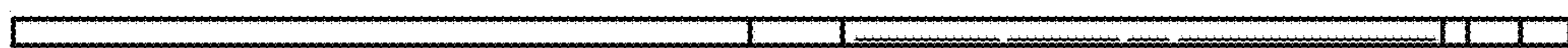


FIG. 7

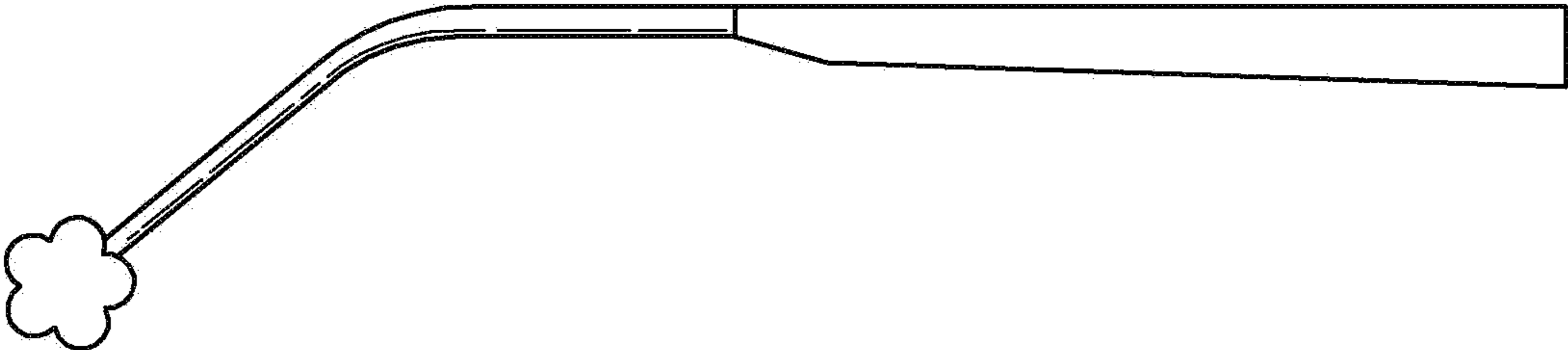


FIG. 8

