



US00D979638S

(12) **United States Design Patent** (10) **Patent No.:** **US D979,638 S**  
**Park** (45) **Date of Patent:** **\*\* Feb. 28, 2023**

(54) **EYEGLASS TEMPLE**  
(71) Applicant: **Min Gyu Park**, Busan (KR)  
(72) Inventor: **Min Gyu Park**, Busan (KR)  
(\*\*) Term: **15 Years**

D383,479 S \* 9/1997 Guo ..... D16/335  
D392,992 S \* 3/1998 Freeman ..... D16/335  
D394,447 S \* 5/1998 Khantzis ..... D16/334  
D417,462 S \* 12/1999 Chang ..... D16/338  
D449,640 S \* 10/2001 Grundy ..... D16/337  
D629,445 S \* 12/2010 Agnoli ..... D16/335

(Continued)

(21) Appl. No.: **29/800,135**  
(22) Filed: **Jul. 19, 2021**  
(51) **LOC (14) Cl.** ..... **16-06**  
(52) **U.S. Cl.**  
USPC ..... **D16/335**  
(58) **Field of Classification Search**  
USPC ..... D16/300, 306, 307, 308, 318, 321, 330,  
D16/341, 342, 335, 336, 338  
See application file for complete search history.

OTHER PUBLICATIONS

Google Image Search: "animal eyeglass temple tips", [site visited Aug. 13, 2022]. Available from Internet, <URL: [https://www.google.com/search?q=animal+eyeglass+temple+tips&sxsrf=ALiCzsYgb6-l2QAO49Xhucp0g8WD\\_s7dEg:1660418936642&source=lnms&tbm=isch&sa=X&ved=2ahUKewilsZXHxsT5AhXLGVkFHbi0CCYQ\\_AUoAnoECAEQBA&biw=1920&bih=937&dpr=1](https://www.google.com/search?q=animal+eyeglass+temple+tips&sxsrf=ALiCzsYgb6-l2QAO49Xhucp0g8WD_s7dEg:1660418936642&source=lnms&tbm=isch&sa=X&ved=2ahUKewilsZXHxsT5AhXLGVkFHbi0CCYQ_AUoAnoECAEQBA&biw=1920&bih=937&dpr=1)> (Year: 2022).\*

(Continued)

*Primary Examiner* — Sanjeev Paul  
(74) *Attorney, Agent, or Firm* — IPLA P.A.

(56) **References Cited**  
U.S. PATENT DOCUMENTS

(57) **CLAIM**

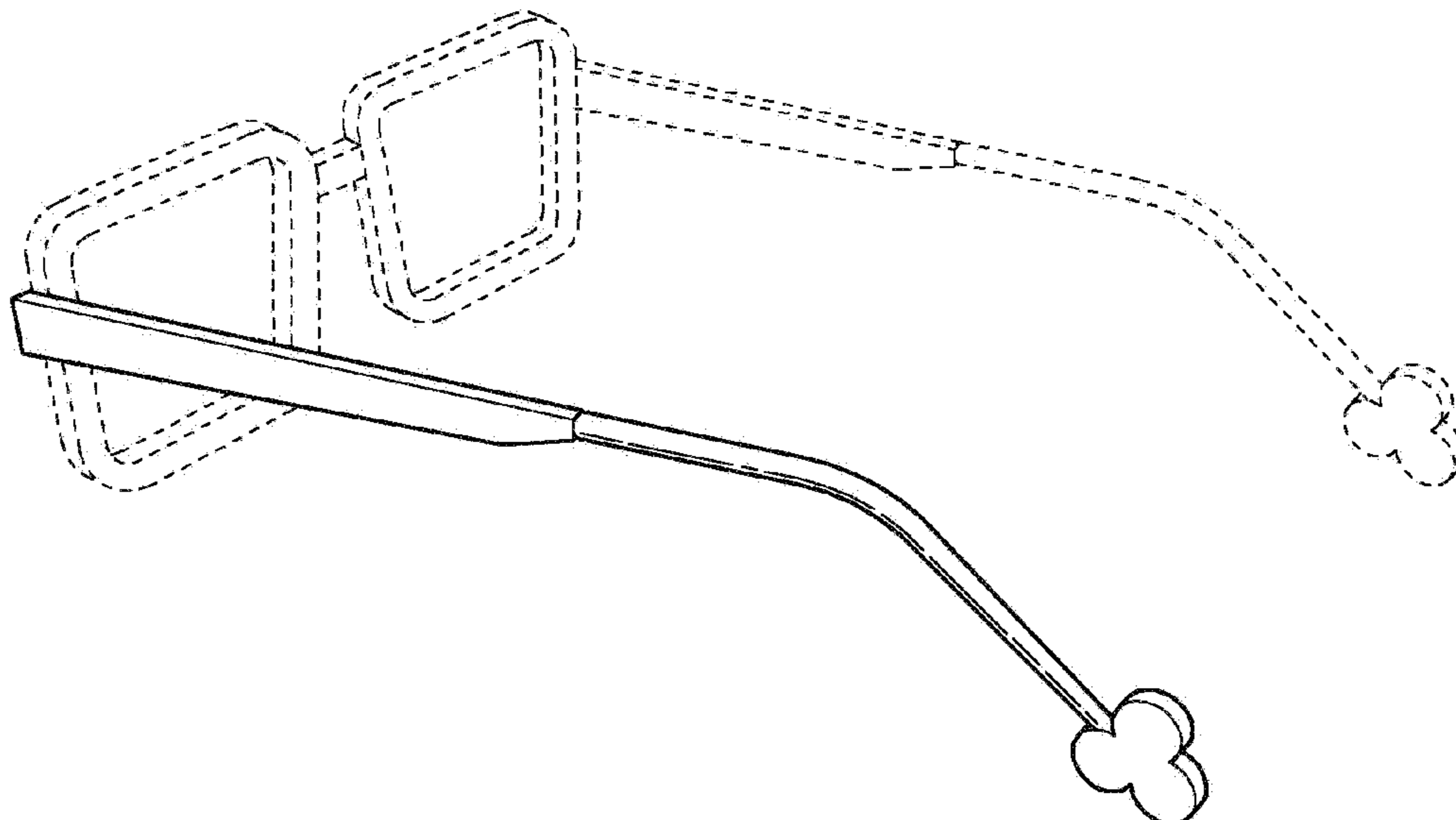
The ornamental design for an eyeglass temple, as shown and described.

207,844 A \* 9/1878 Blair ..... G02C 5/143  
351/123  
D44,504 S \* 8/1913 Wells ..... D16/330  
D51,955 S \* 4/1918 Desha ..... D16/307  
D97,957 S \* 12/1935 Reynolds ..... D16/335  
D142,827 S \* 11/1945 Barrett ..... D16/335  
D176,941 S \* 2/1956 Courtney ..... 57/1 R  
D178,154 S \* 6/1956 Stegeman ..... D16/335  
D180,735 S \* 8/1957 Johnson ..... D16/336  
D200,601 S \* 3/1965 Meyers ..... D16/335  
D204,696 S \* 5/1966 Glass ..... D16/307  
D205,314 S \* 7/1966 Boxer ..... D16/306  
D218,572 S \* 9/1970 Simon ..... D16/325  
D225,688 S \* 12/1972 Wick ..... D16/318  
4,139,281 A \* 2/1979 Luttner ..... G02C 11/00  
351/158  
D367,288 S \* 2/1996 Francavilla ..... D16/335  
D370,931 S \* 6/1996 Huang ..... D16/337  
D371,568 S \* 7/1996 Nakabayashi ..... D16/335  
D371,569 S \* 7/1996 Mikame ..... D16/335  
D374,884 S \* 10/1996 Jannard ..... D16/335  
D375,112 S \* 10/1996 Jannard ..... D16/335

**DESCRIPTION**

FIG. 1 is a perspective view of my new design showing an eyeglass temple;  
FIG. 2 is a front elevation view there thereof;  
FIG. 3 is a top plan view thereof;  
FIG. 4 is a bottom plan view thereof;  
FIG. 5 is a left side elevation view thereof;  
FIG. 6 is a right side elevation view thereof;  
FIG. 7 is a rear elevation view thereof; and,  
FIG. 8 is another perspective view of my new design showing an eyeglass temple.  
The broken lines shown in the drawings are included for the purpose of illustrating environmental subject matter and form no part of the claimed design.

**1 Claim, 2 Drawing Sheets**



(56)

**References Cited**

U.S. PATENT DOCUMENTS

D751,616	S *	3/2016	McKinish .....	D16/101
D783,707	S *	4/2017	Uhm .....	D16/335
D839,340	S *	1/2019	Zargari .....	D16/338
D862,569	S *	10/2019	Huang .....	D16/335
D877,237	S *	3/2020	Bhatia .....	D16/335
D900,209	S *	10/2020	Marzano .....	D16/341
D904,503	S *	12/2020	Lee .....	D16/335
D939,016	S *	12/2021	Billings .....	D16/330
2015/0146157	A1 *	5/2015	Tipp .....	G02C 11/02 351/52
2018/0267337	A1 *	9/2018	Walker .....	G02C 5/02
2022/0187619	A1 *	6/2022	Safdieh .....	G02C 3/02
2022/0244574	A1 *	8/2022	Bailey .....	G02C 1/06

OTHER PUBLICATIONS

Google Image Search: “animal eyeglass temples”, [site visited Aug. 13, 2022], Available from Internet, <URL: [https://www.google.com/search?q=animal+eyeglass+temples&sxsrf=ALiCzsZGEw3qnviu7gIhMqYXhYInU96cJA:1660418625764&source=lnms&tbn=isch&sa=X&ved=2ahUKEwjFrfeycT5AhVVEIkFHRkVAikQ\\_AUoAnoECAEQBA&biw=1920&bih=937&dpr=1](https://www.google.com/search?q=animal+eyeglass+temples&sxsrf=ALiCzsZGEw3qnviu7gIhMqYXhYInU96cJA:1660418625764&source=lnms&tbn=isch&sa=X&ved=2ahUKEwjFrfeycT5AhVVEIkFHRkVAikQ_AUoAnoECAEQBA&biw=1920&bih=937&dpr=1)> (Year: 2022).\*

\* cited by examiner

FIG. 1

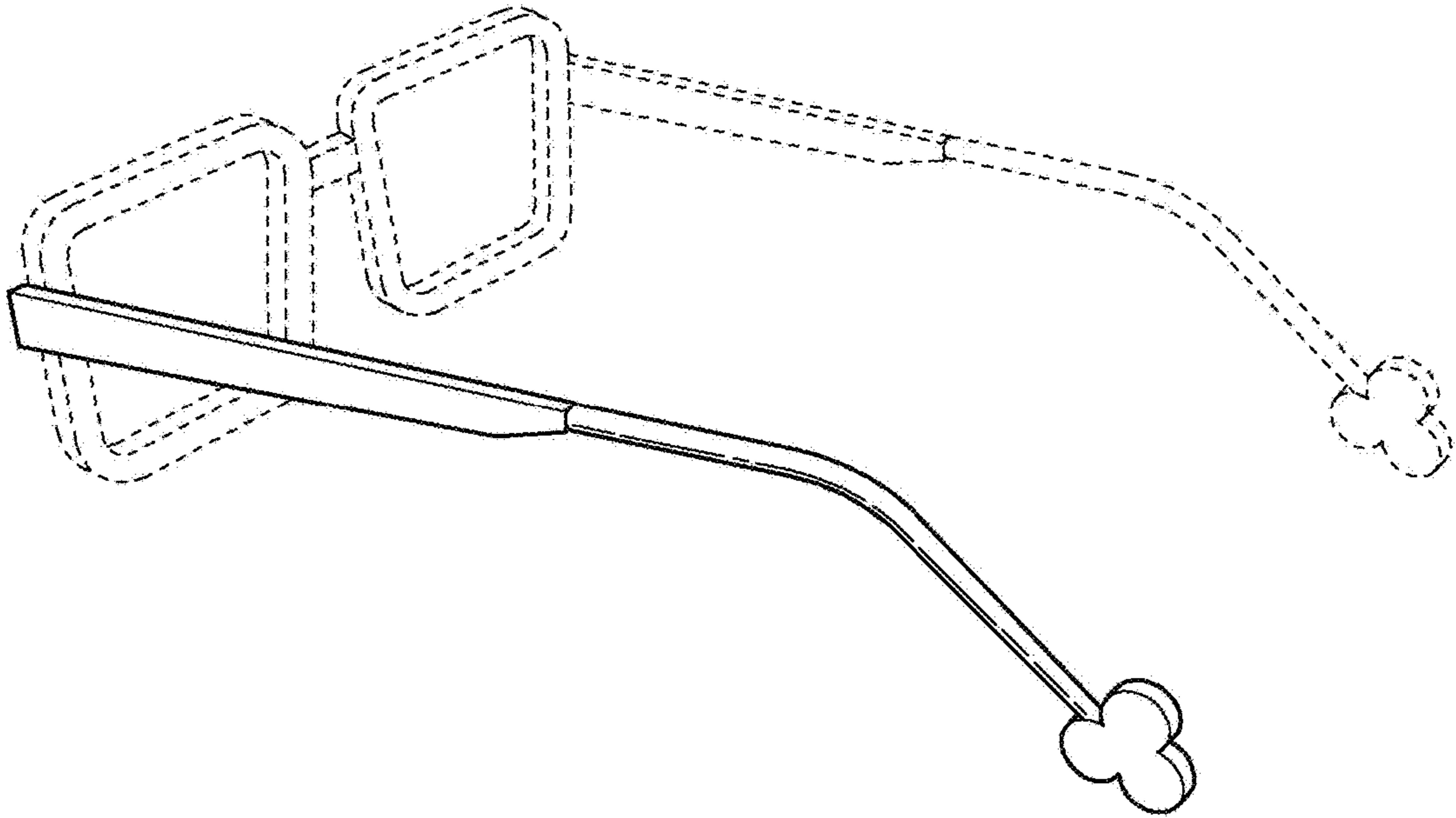


FIG. 3

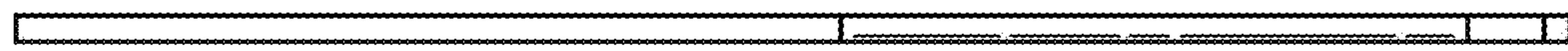


FIG. 5

FIG. 2

FIG. 6

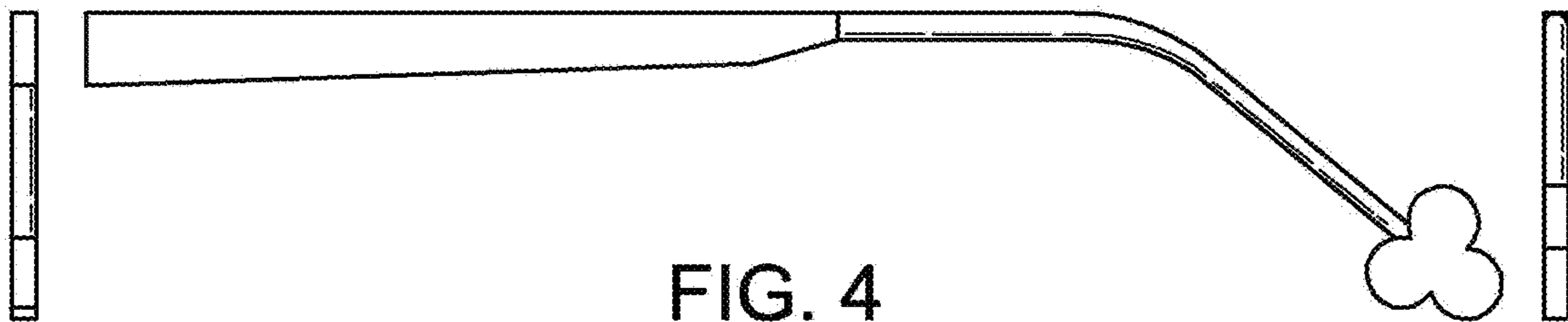


FIG. 4



FIG. 7

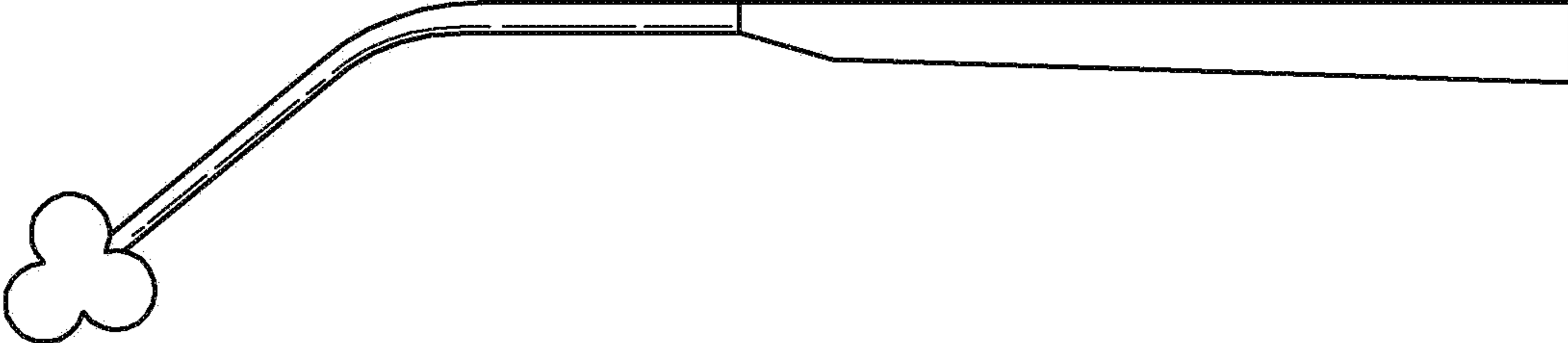


FIG. 8

