



US00D979637S

(12) **United States Design Patent**
Park

(10) **Patent No.:** **US D979,637 S**

(45) **Date of Patent:** **** Feb. 28, 2023**

(54) **EYEGLASS TEMPLE**

(71) Applicant: **Min Gyu Park**, Busan (KR)

(72) Inventor: **Min Gyu Park**, Busan (KR)

(**) Term: **15 Years**

(21) Appl. No.: **29/800,132**

(22) Filed: **Jul. 19, 2021**

(51) **LOC (14) Cl.** **16-06**

(52) **U.S. Cl.**
USPC **D16/335**

(58) **Field of Classification Search**
USPC D16/300, 306, 307, 308, 318, 321, 330,
D16/341, 342, 335, 336, 338
See application file for complete search history.

(56) **References Cited**

U.S. PATENT DOCUMENTS

207,844	A	*	9/1878	Blair	G02C 5/143 351/123
D44,504	S	*	8/1913	Wells	D16/330
D51,955	S	*	4/1918	Desha	D16/307
D97,957	S	*	12/1935	Reynolds	D16/335
D142,827	S	*	11/1945	Barrett	D16/335
D176,941	S	*	2/1956	Courtney	57/1 R
D178,154	S	*	6/1956	Stegeman	D16/335
D180,735	S	*	8/1957	Johnson	D16/336
D200,601	S	*	3/1965	Meyers	D16/335
D204,696	S	*	5/1966	Glass	D16/307
D205,314	S	*	7/1966	Boxer	D16/306
D218,572	S	*	9/1970	Simon	D16/325
D225,688	S	*	12/1972	Wick	D16/318
4,139,281	A	*	2/1979	Luttner	G02C 11/00 351/158
D367,288	S	*	2/1996	Francavilla	D16/335
D370,931	S	*	6/1996	Huang	D16/337
D371,568	S	*	7/1996	Nakabayashi	D16/335
D371,569	S	*	7/1996	Mikame	D16/335
D374,884	S	*	10/1996	Jannard	D16/335
D375,112	S	*	10/1996	Jannard	D16/335
D383,479	S	*	9/1997	Guo	D16/335

D392,992	S	*	3/1998	Freeman	D16/335
D394,447	S	*	5/1998	Khantzis	D16/334
D417,462	S	*	12/1999	Chang	D16/338
D449,640	S	*	10/2001	Grundy	D16/337
D629,445	S	*	12/2010	Agnoli	D16/335

(Continued)

OTHER PUBLICATIONS

Google Image Search: "animal eyeglass temple tips", [site visited Aug. 13, 2022]. Available from Internet, <URL: https://www.google.com/search?q=animal+eyeglass+temple+tips&sxsrf=ALiCzsYgb6-I2QAO49Xhucp0g8WD_s7dEg:1660418936642&source=Inms&tbm=isch&sa=X&ved=2ahUKEwilsZXHxsT5AhXLGVkFHbi0CCYQ_AUoAnoECAEQBA&biw=1920&bih=937&dpr=1> (Year: 2022).*

(Continued)

Primary Examiner — Sanjeev Paul

(74) *Attorney, Agent, or Firm* — IPLA P.A.

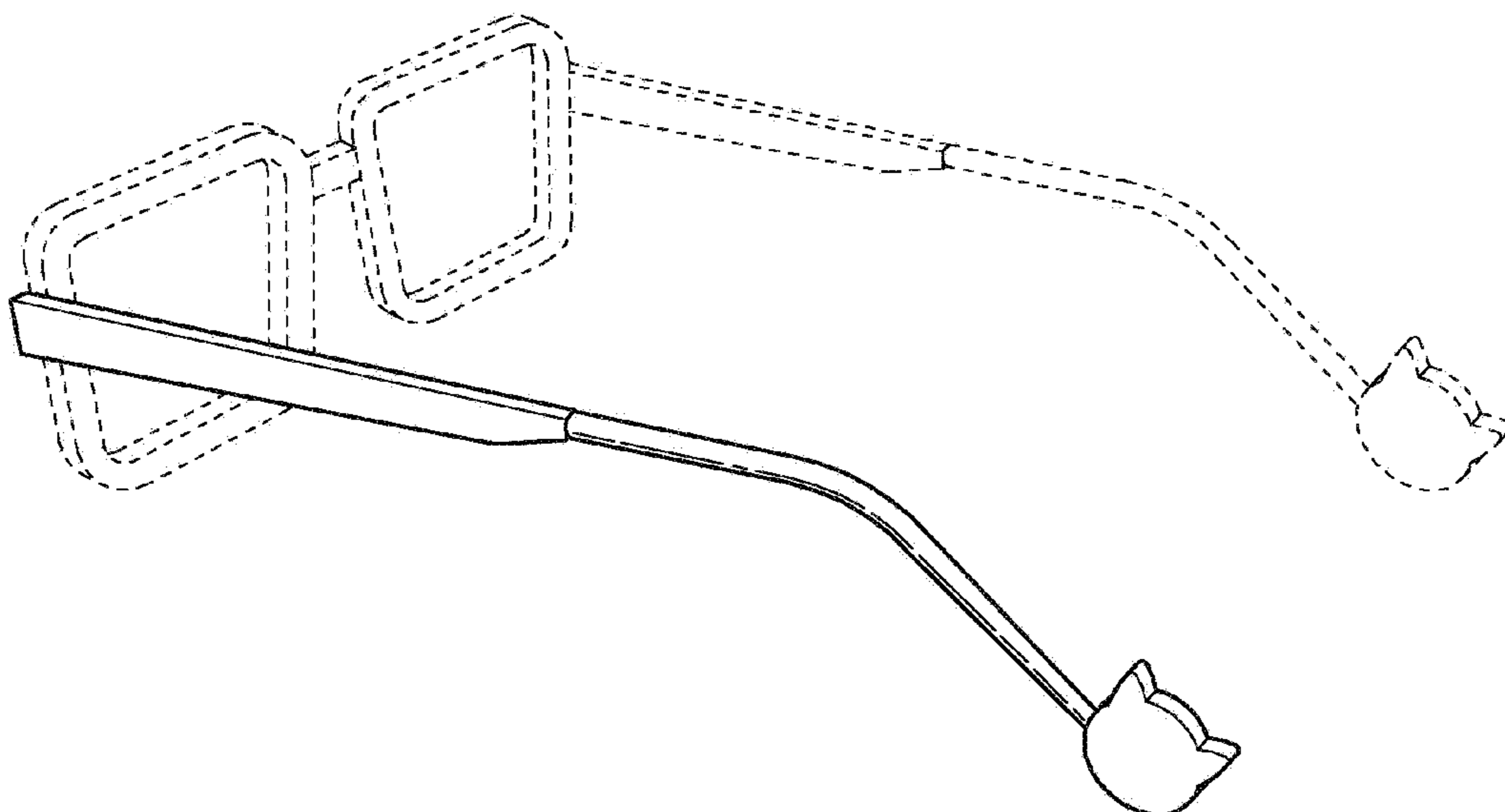
(57) **CLAIM**

The ornamental design for an eyeglass temple, as shown and described.

DESCRIPTION

FIG. 1 is a perspective view of my new design showing an eyeglass temple;
FIG. 2 is a front elevation view there thereof;
FIG. 3 is a top plan view thereof;
FIG. 4 is a bottom plan view thereof;
FIG. 5 is a left side elevation view thereof;
FIG. 6 is a right side elevation view thereof;
FIG. 7 is a rear elevation view thereof; and,
FIG. 8 is another perspective view of my new design showing an eyeglass temple.
The broken lines shown in the drawings are included for the purpose of illustrating environmental subject matter and form no part of the claimed design.

1 Claim, 2 Drawing Sheets



(56)

References Cited

U.S. PATENT DOCUMENTS

D751,616	S	*	3/2016	McKinish	D16/101
D783,707	S	*	4/2017	Uhm	D16/335
D839,340	S	*	1/2019	Zargari	D16/338
D862,569	S	*	10/2019	Huang	D16/335
D877,237	S	*	3/2020	Bhatia	D16/335
D900,209	S	*	10/2020	Marzano	D16/341
D904,503	S	*	12/2020	Lee	D16/335
D939,016	S	*	12/2021	Billings	D16/330
2015/0146157	A1	*	5/2015	Tipp	G02C 11/02 351/52
2018/0267337	A1	*	9/2018	Walker	G02C 5/02
2022/0187619	A1	*	6/2022	Safdieh	G02C 3/02
2022/0244574	A1	*	8/2022	Bailey	G02C 1/06

OTHER PUBLICATIONS

Google Image Search: “animal eyeglass temples”, [site visited Aug. 13, 2022]. Available from Internet, <URL: https://www.google.com/search?q=animal+eyeglass+temples&sxsrf=ALiCzsZGEw3qnviu7gIhMqYXhYlnU96cJA:1660418625764&source=Inms&tbn=isch&sa=X&ved=2ahUKewjFrfeycT5AhVVEIkFHRkVAikQ_AUoAnoECAEQBA&biw=1920&bih=937&dpr=1> (Year: 2022).*

* cited by examiner

FIG. 1

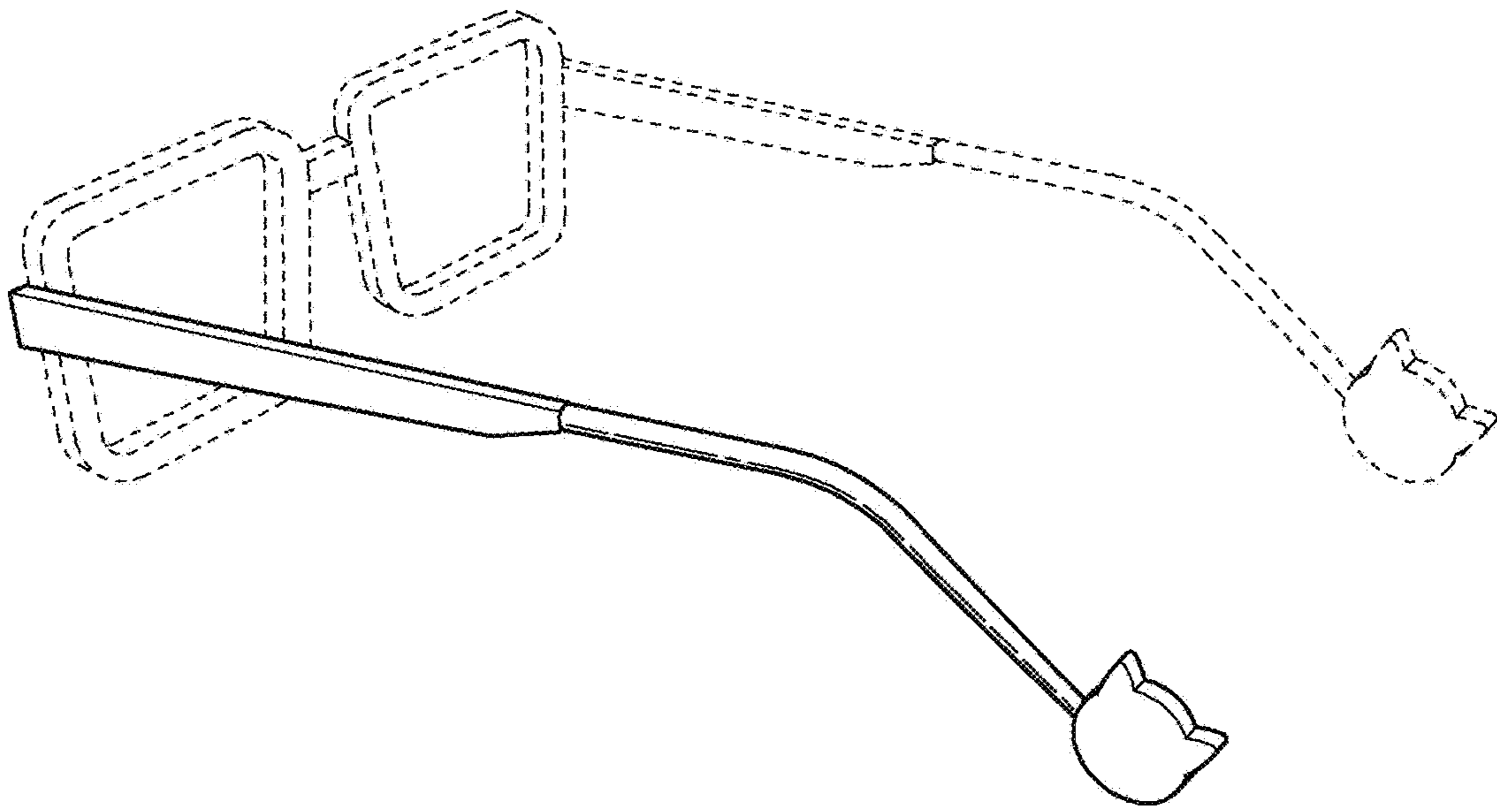


FIG. 3

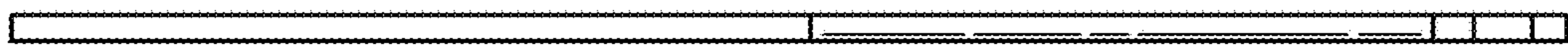


FIG. 5

FIG. 2

FIG. 6

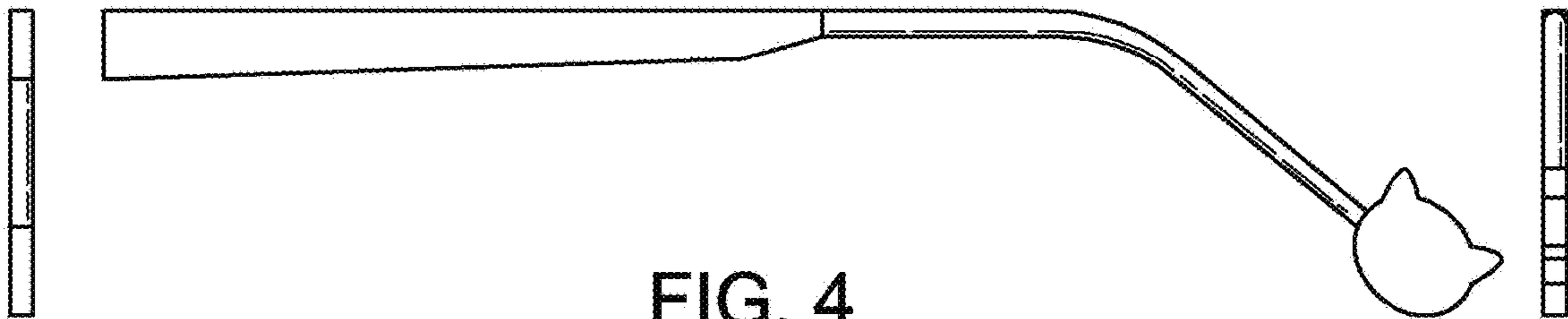


FIG. 4



FIG. 7

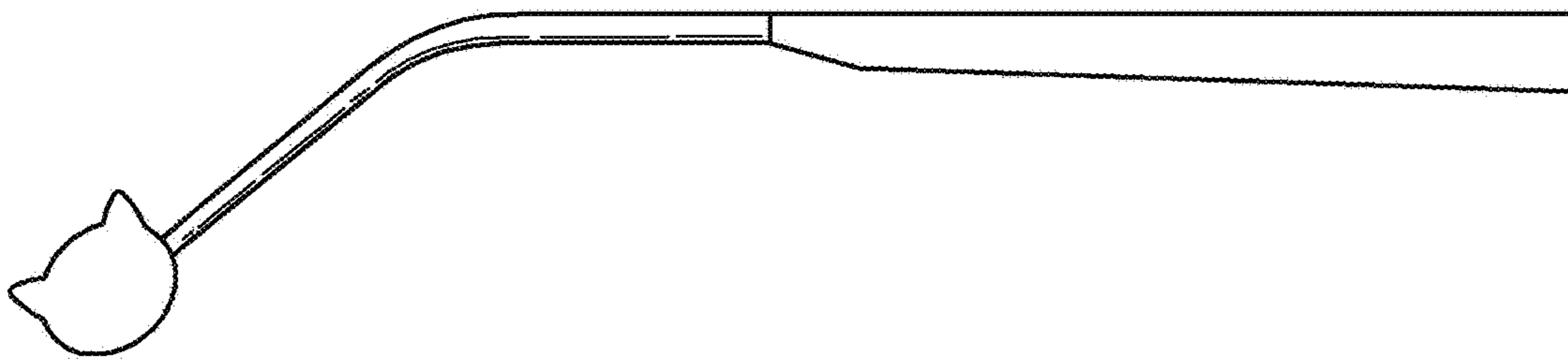


FIG. 8

