



US00D979635S

(12) **United States Design Patent** (10) **Patent No.:** **US D979,635 S**  
**Qiu** (45) **Date of Patent:** **\*\* Feb. 28, 2023**

(54) **EYE MASK**

(71) Applicant: **Weihe Qiu**, Guangdong (CN)

(72) Inventor: **Weihe Qiu**, Guangdong (CN)

(\*\*) Term: **15 Years**

(21) Appl. No.: **29/824,736**

(22) Filed: **Jan. 26, 2022**

(51) **LOC (14) Cl.** ..... **16-06**

(52) **U.S. Cl.**  
USPC ..... **D16/301**

(58) **Field of Classification Search**  
USPC ..... D16/300, 301; D24/206; D14/192, 205  
CPC ..... A61F 9/04; A61F 9/02; A61H 2205/024;  
A63B 33/002; A63B 33/004; A63B  
33/006; A63B 33/00; A63B 69/18

See application file for complete search history.

(56) **References Cited**

**U.S. PATENT DOCUMENTS**

D861,772 S	*	10/2019	Lian	.....	D16/301
D887,484 S		6/2020	Guo		
D889,529 S	*	7/2020	Guo	.....	A61F 9/04
					D16/301
D911,429 S	*	2/2021	Guo	.....	D16/301
D918,991 S		5/2021	Du		
D945,000 S	*	3/2022	McMahon	.....	D16/301

**OTHER PUBLICATIONS**

LC-dolida Sleep Headphones, posted at amazon.com, posting date Jan. 14, 2022, [online], [site visited Dec. 5, 2022]. Available from

Internet, URL: <https://www.amazon.com/Sleep-Headphone-White-Noise-Breathable/dp/B09PTSJKQD?th=1> (Year: 2022).\*  
Zhenyemei Sleep Mask, posted at amazon.com, posting date Feb. 18, 2022, [online], [site visited Dec. 5, 2022]. Available from Internet, URL: <https://www.amazon.com/Blocking-Adjustable-Contoured-Blindfold-Breathable/dp/B09SV6B8WB/> (Year: 2022).\*  
Zumusen Sleep Headphones, posted at amazon.com, posting date Feb. 17, 2022, [online], [site visited Dec. 5, 2022]. Available from Internet, URL: <https://www.amazon.co.uk/Headphones-Bluetooth-Wireless-Blindfold-Perfect-Meditation/dp/B09QPPW3TV> (Year: 2022).\*

\* cited by examiner

*Primary Examiner* — Maria J. Edwards

(74) *Attorney, Agent, or Firm* — True Shepherd, LLC; Andrew Cheng

(57) **CLAIM**

The ornamental design for an eye mask, as shown and described.

**DESCRIPTION**

FIG. 1 is a front, right and bottom perspective view of an eye mask, showing my design.

FIG. 2 is a front elevation view thereof.

FIG. 3 is a rear elevation view thereof.

FIG. 4 is a right side elevation view thereof.

FIG. 5 is a left side elevation view thereof.

FIG. 6 is a top plan view thereof.

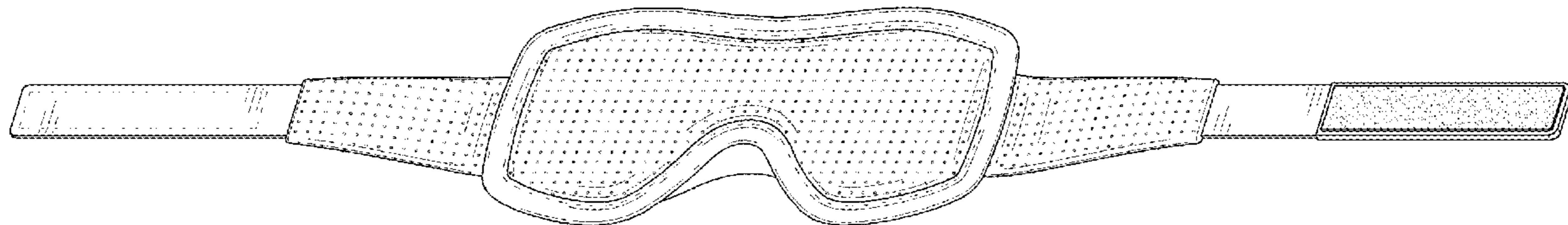
FIG. 7 is a bottom plan view thereof.

FIG. 8 is a rear, left and top perspective view of the eye mask of FIG. 1 in a usable state; and,

FIG. 9 is another front elevation view of the eye mask of FIG. 8.

The broken lines in the drawings depict portions of the eye mask that form no part of the claimed design.

**1 Claim, 9 Drawing Sheets**



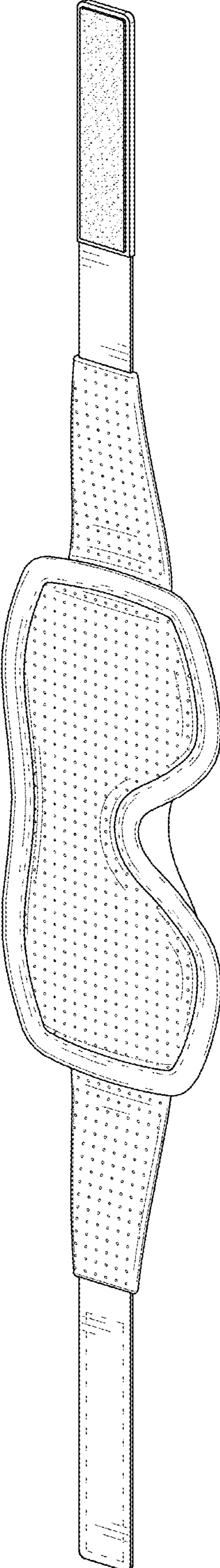


FIG. 1

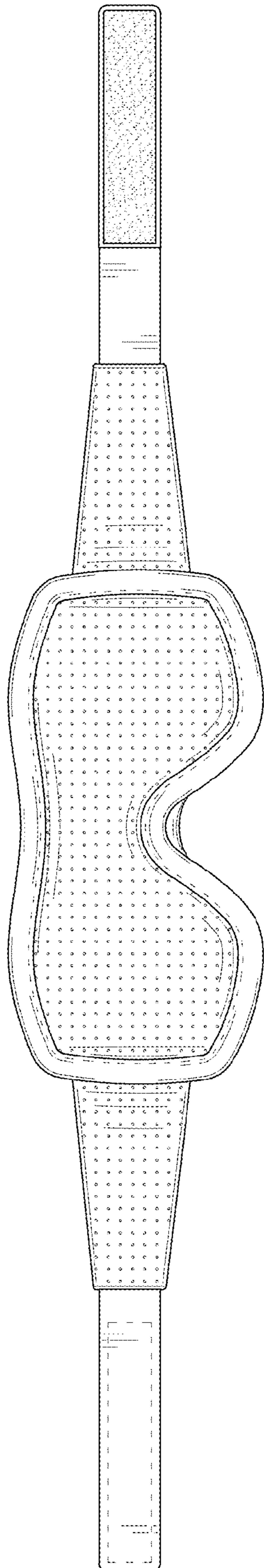


FIG. 2

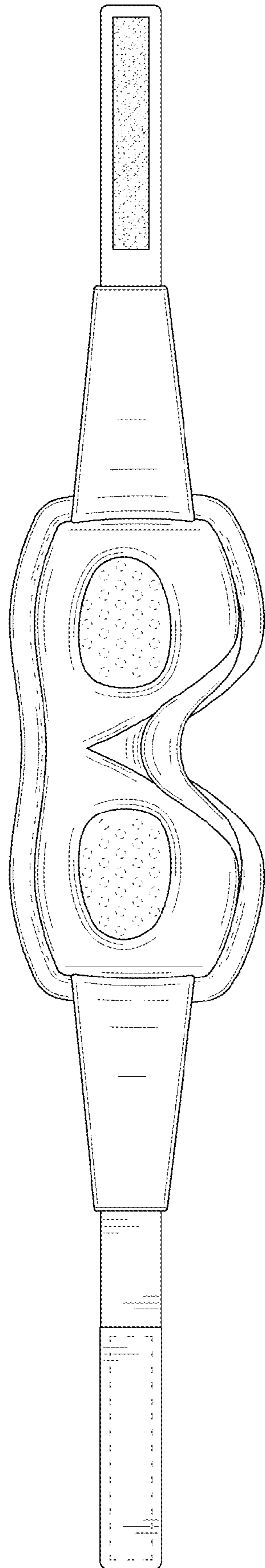


FIG. 3

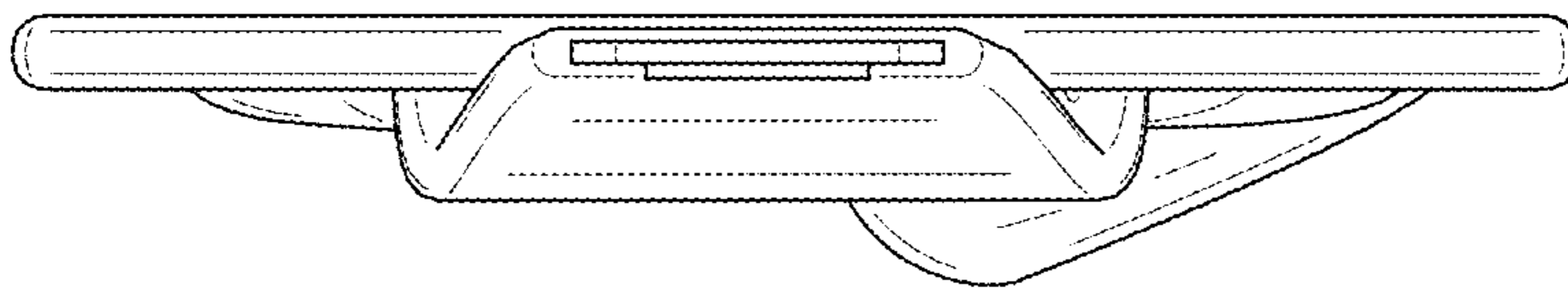


FIG. 4

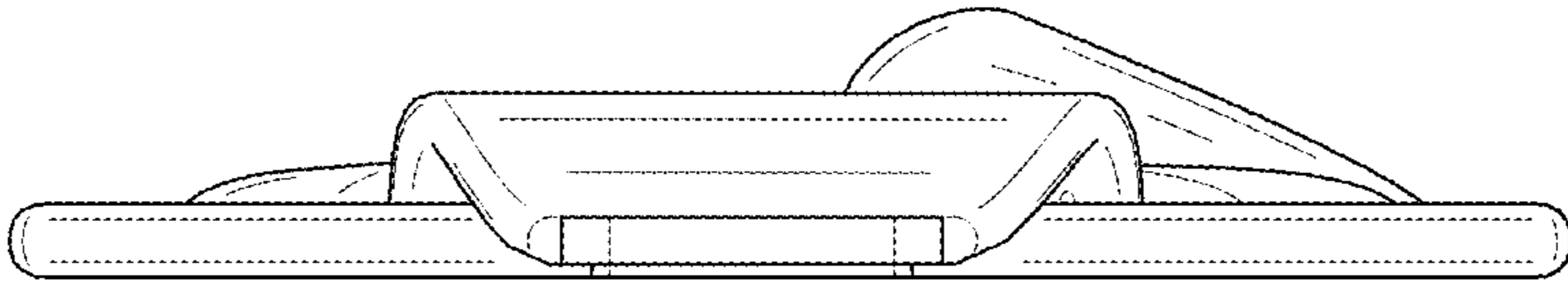


FIG. 5



FIG.6

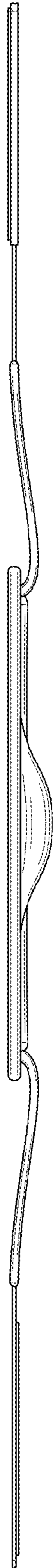


FIG. 7



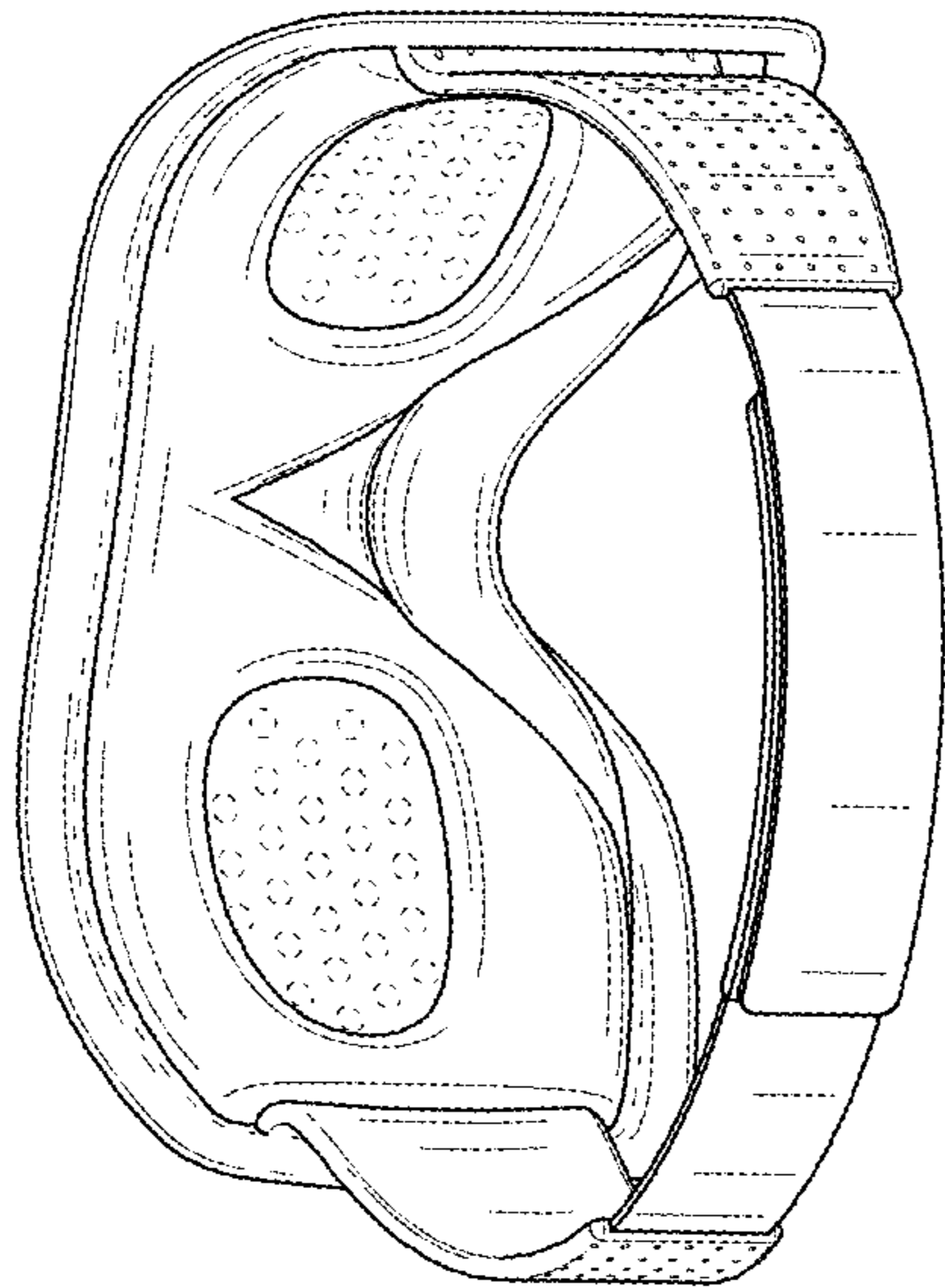


FIG. 8

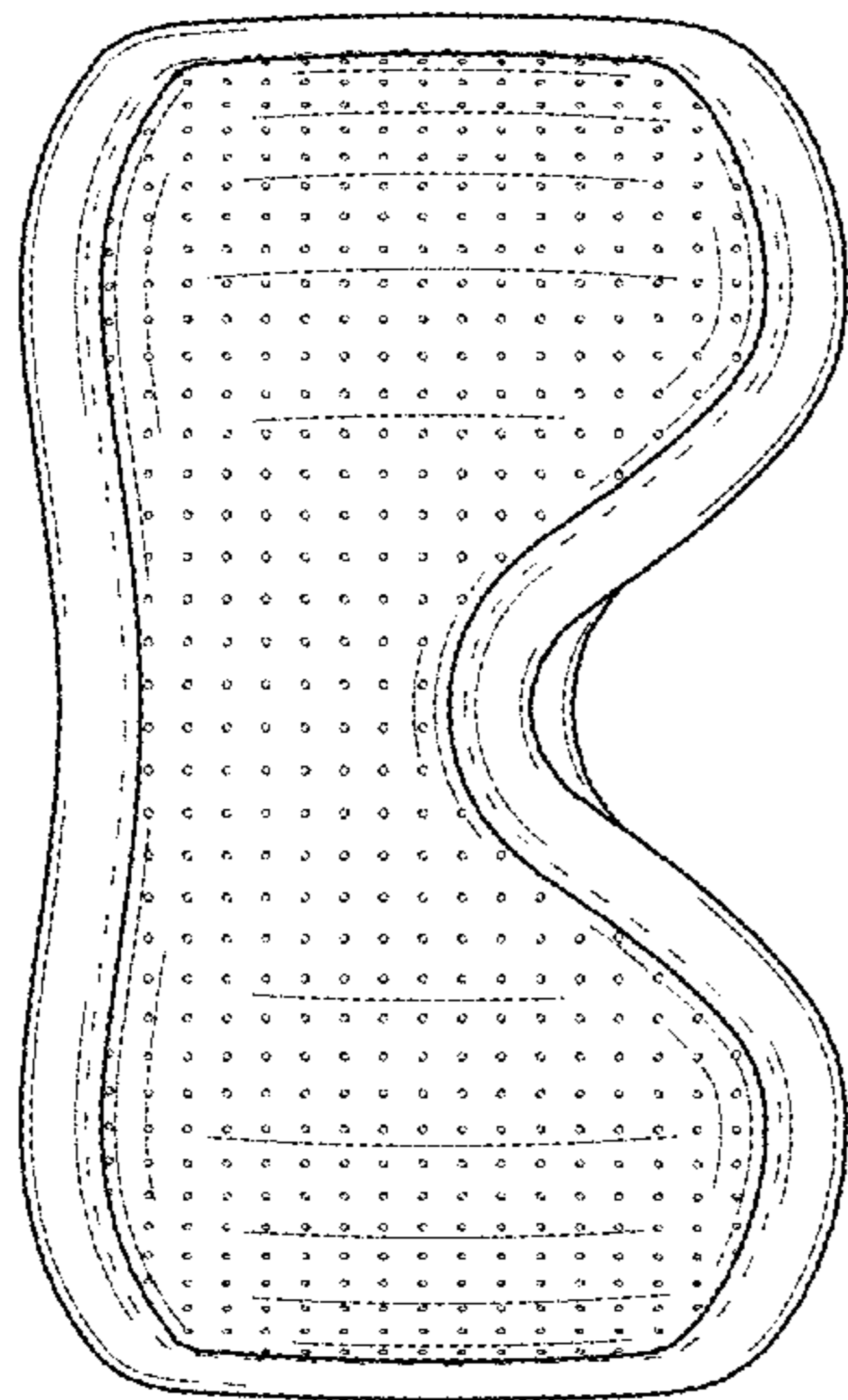


FIG. 9