



US00D979633S

(12) **United States Design Patent**
Wang et al.

(10) **Patent No.:** **US D979,633 S**
(45) **Date of Patent:** **** Feb. 28, 2023**

(54) **PHOTOGRAPHY STUDIO LIGHTING KIT**

(71) Applicant: **SHENZHEN XING YING DA INDUSTRY CO., LTD.**, Shenzhen (CN)

(72) Inventors: **Jun Wang**, Shenzhen (CN); **Yan Ke**, Shenzhen (CN)

(**) Term: **15 Years**

(21) Appl. No.: **29/805,315**

(22) Filed: **Aug. 26, 2021**

(51) **LOC (14) Cl.** **16-05**

(52) **U.S. Cl.**
USPC **D16/237**

(58) **Field of Classification Search**
USPC D16/237–250; D8/354, 355, 363, 373, D8/382, 383, 394, 396; D14/238, 251, D14/253; D26/106, 118
CPC G03B 17/02; G03B 17/56; G03B 17/04; G03B 17/561–566; G03B 15/02; G03B 15/03; H04N 5/2251; H04N 5/2252; H04N 5/2253; H04N 5/2254; G02B 7/02; G02B 7/04; G02B 7/14
See application file for complete search history.

(56) **References Cited**

U.S. PATENT DOCUMENTS

D393,921 S	4/1998	Cicoello et al.	
D446,329 S	8/2001	Lau	
7,182,486 B1	2/2007	Miracle	
D759,871 S	6/2016	Consuegra	
D770,657 S	11/2016	Fang	
D815,328 S	4/2018	Ladnier et al.	
D848,655 S	5/2019	Fang	
D853,613 S	7/2019	Lien	
D881,980 S *	4/2020	Zhu	D16/244
D886,360 S	6/2020	Xu	

D899,491 S	10/2020	Chen	
D921,964 S	6/2021	Kawase et al.	
D940,783 S *	1/2022	Lin	D16/244
D946,644 S *	3/2022	Lin	D16/244
D947,274 S *	3/2022	Tian	D16/244
D947,927 S *	4/2022	Tian	D16/244
D956,325 S *	6/2022	Lin	D16/244
D957,038 S *	7/2022	Ke	D16/244
D963,026 S *	9/2022	Tian	D16/237

(Continued)

Primary Examiner — Ramzi Almatrahi

(74) *Attorney, Agent, or Firm* — Xiaofang Zhong

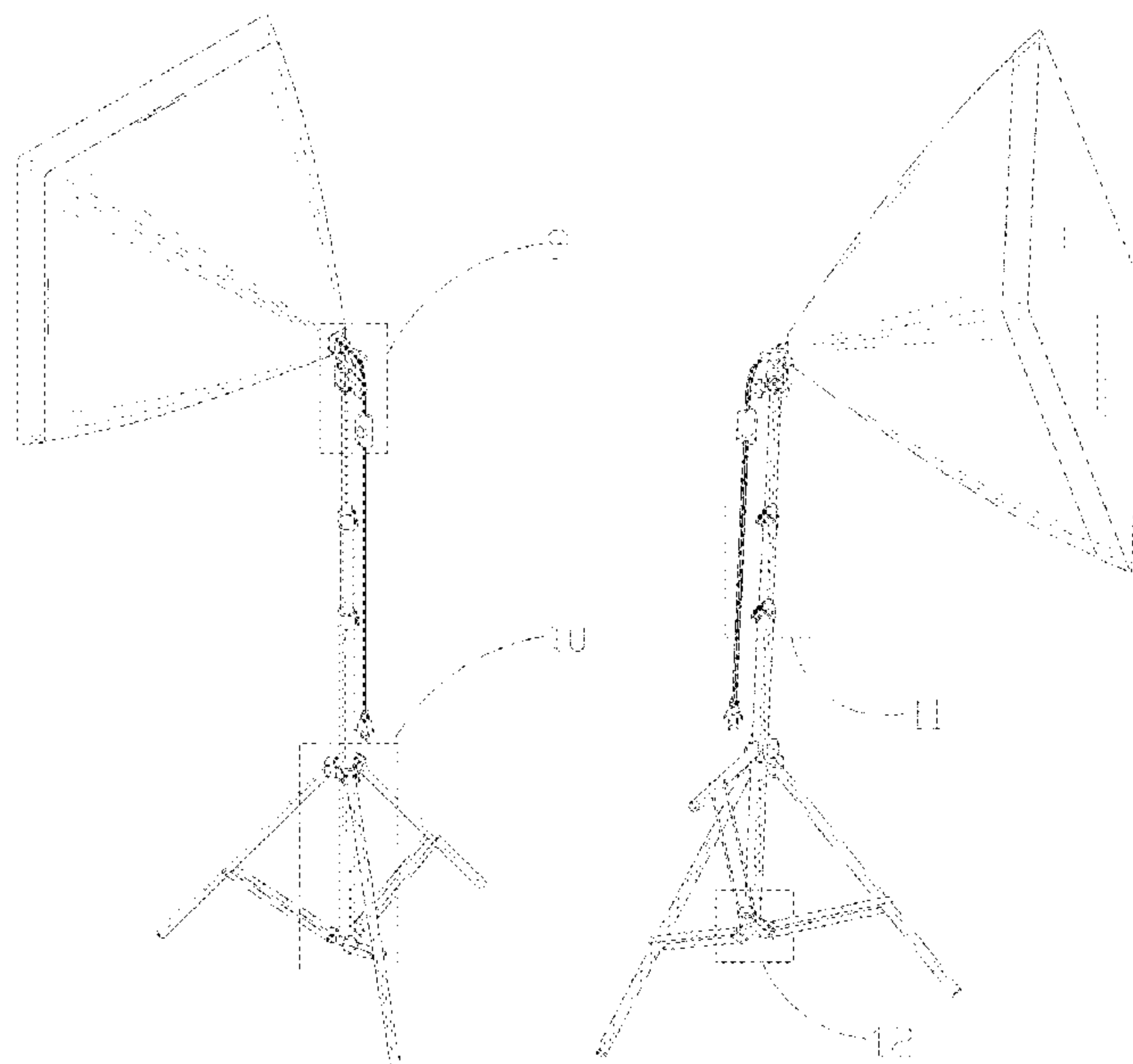
(57) **CLAIM**

The ornamental design for a photography studio lighting kit, as shown and described.

DESCRIPTION

FIG. 1 is a top, back and right side perspective view of a photography studio lighting kit showing our new design; FIG. 2 is a bottom, front and left side perspective view thereof; FIG. 3 is a front elevational view thereof; FIG. 4 is a back elevational view thereof; FIG. 5 is a left side elevational view thereof; FIG. 6 is a right side elevational view thereof; FIG. 7 is a top plan view thereof; FIG. 8 is a bottom plan view thereof; FIG. 9 is an enlarged view of portion 9 shown in FIG. 1; FIG. 10 is an enlarged view of portion 10 shown in FIG. 1; FIG. 11 is an enlarged view of portion 11 shown in FIG. 2; and, FIG. 12 is an enlarged view of portion 12 shown in FIG. 2. The broken lines depict portions of the photography studio lighting kit that form no part of the claimed design. Additionally, the dot-dash broken lines encircling an enlargement portion of the design forms no part of the claimed design.

1 Claim, 12 Drawing Sheets



(56)

References Cited

U.S. PATENT DOCUMENTS

D963,030 S *	9/2022	Feng	D16/244
2006/0007666 A1 *	1/2006	Cook	G03B 15/02 362/16

* cited by examiner

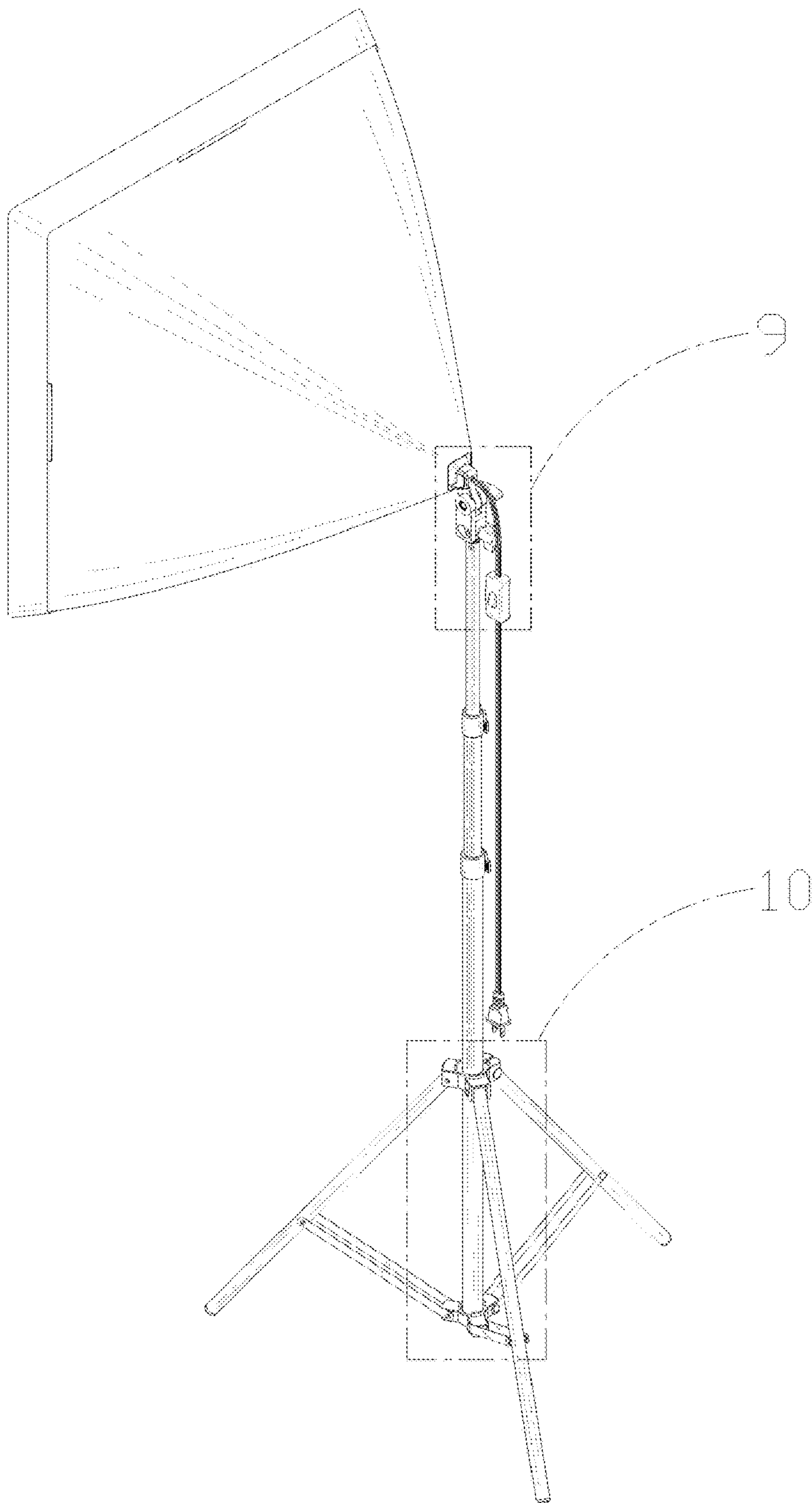


FIG.1

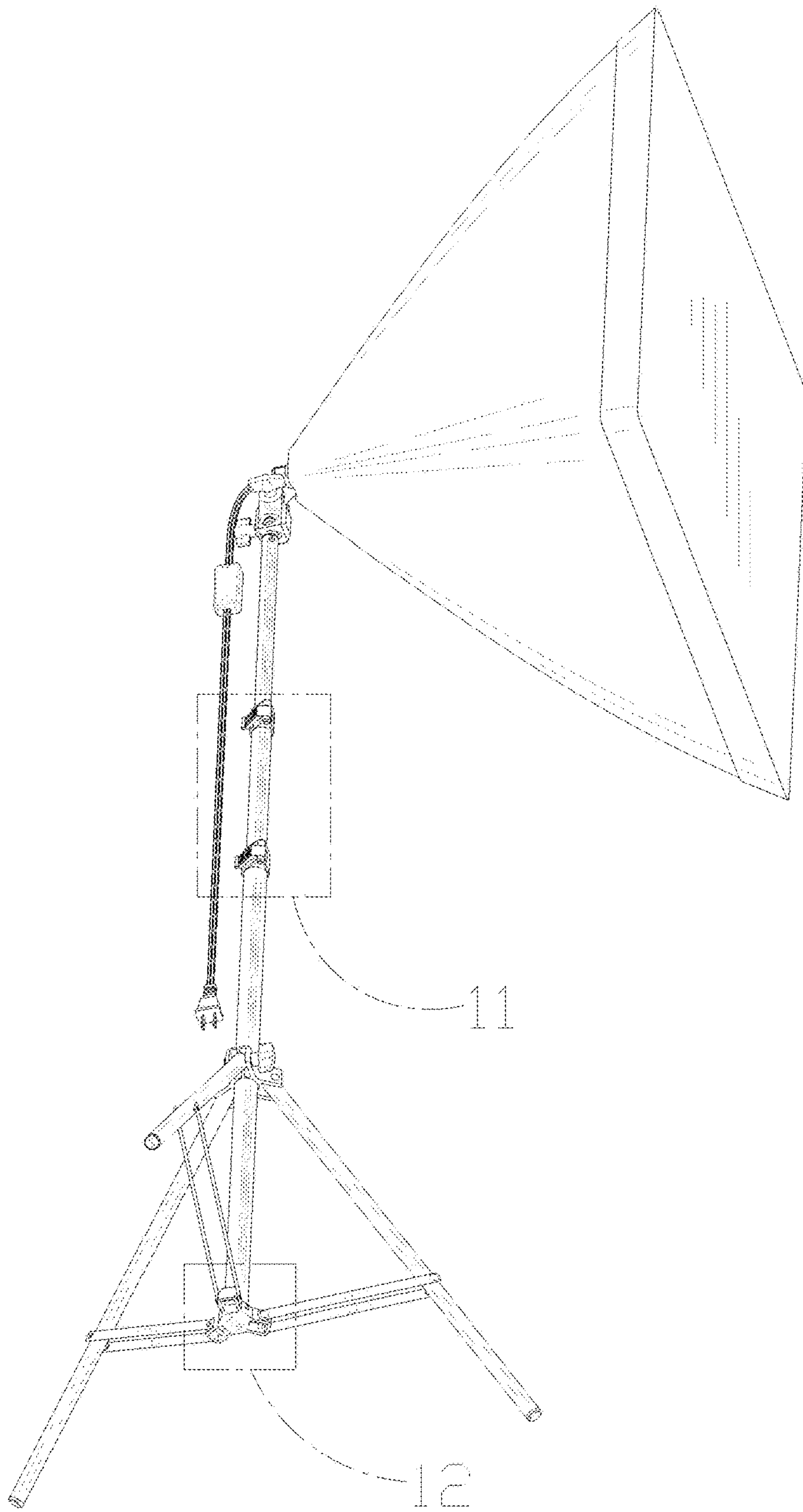


FIG.2

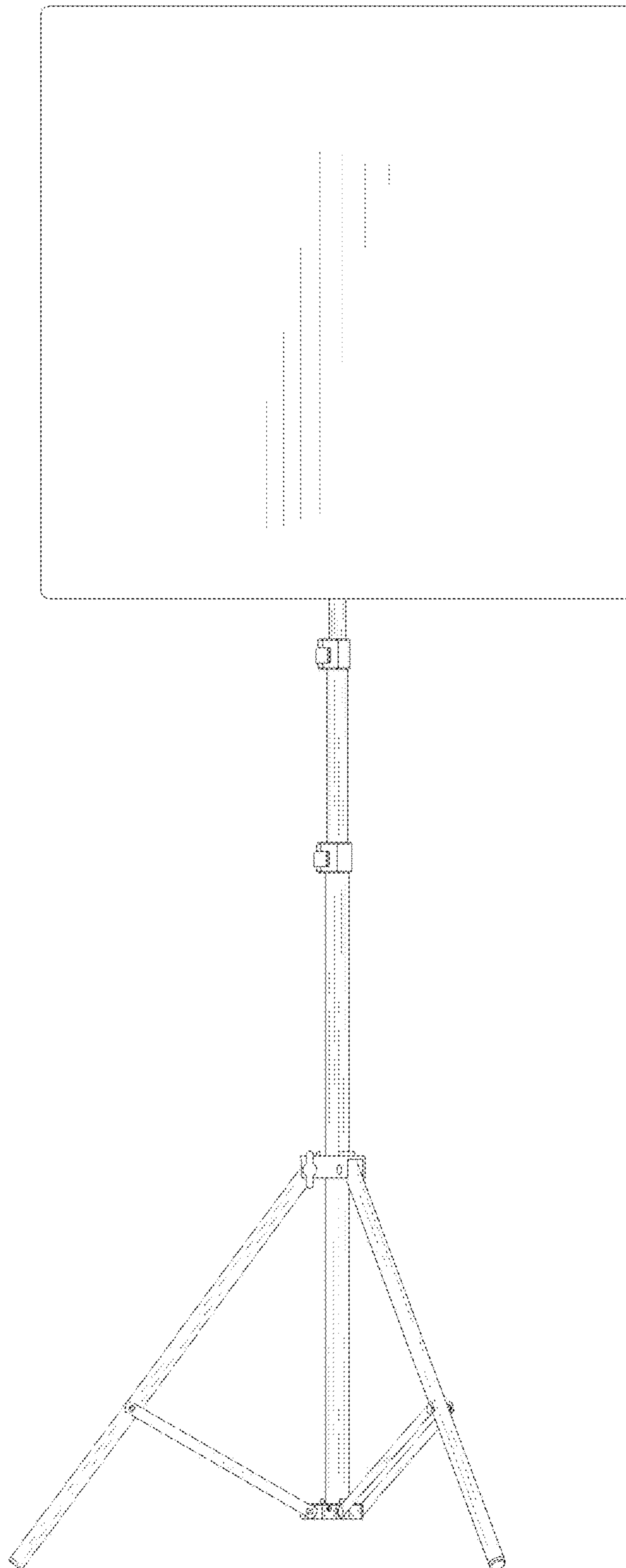


FIG. 3

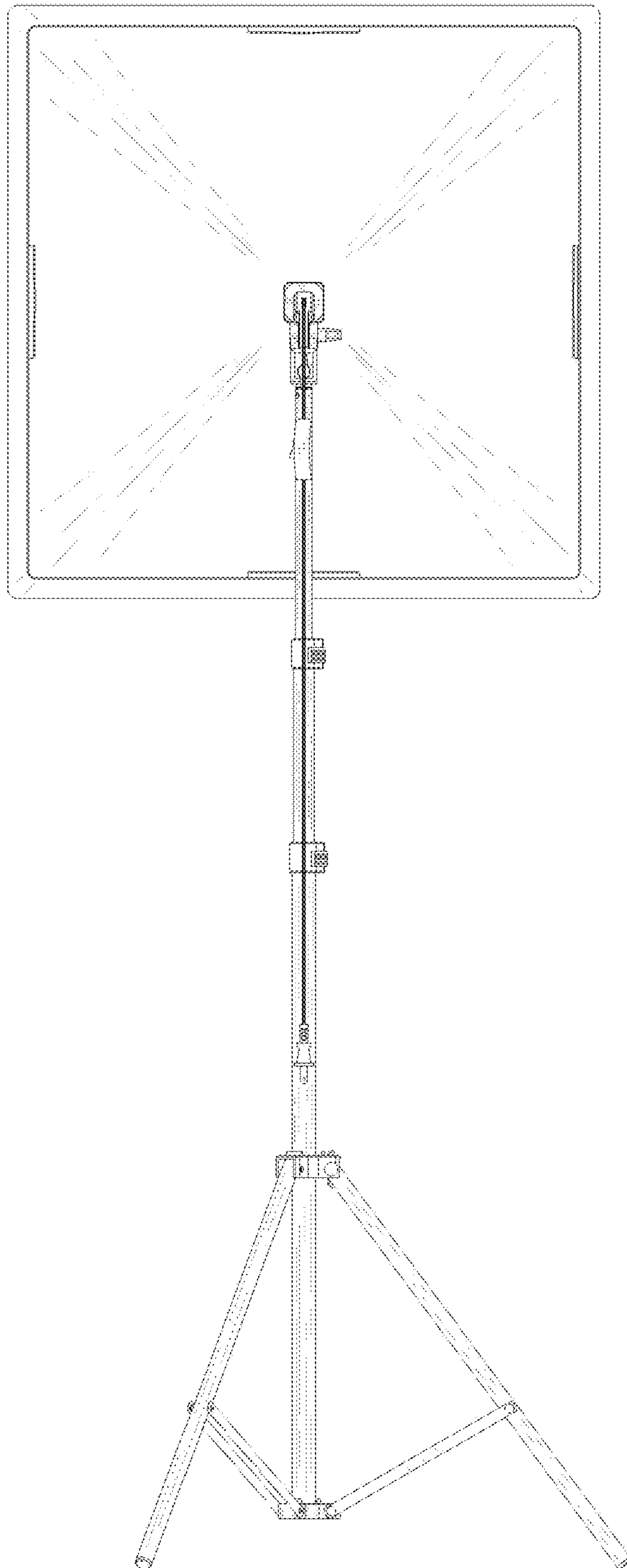


FIG. 4

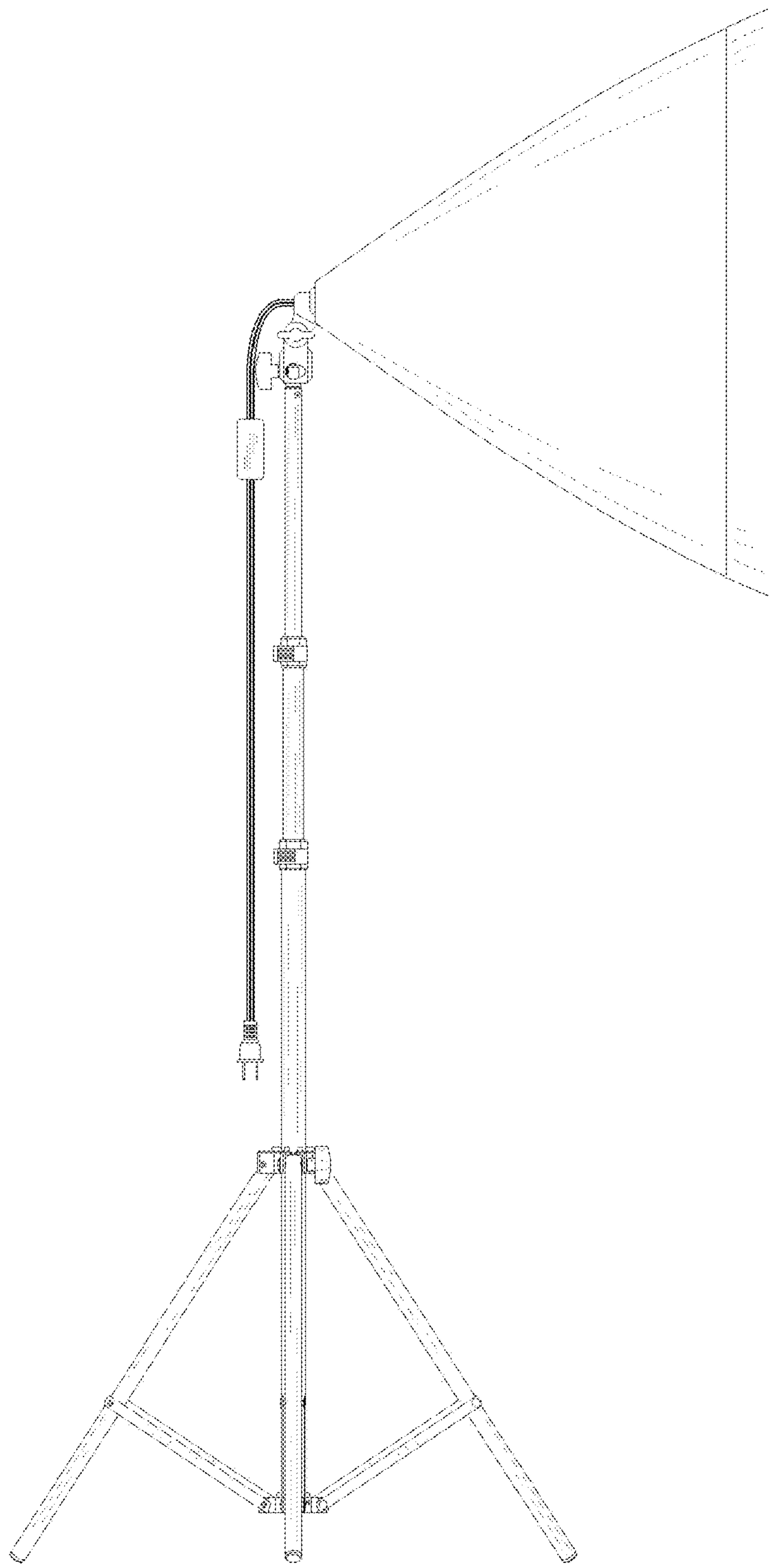


FIG.5

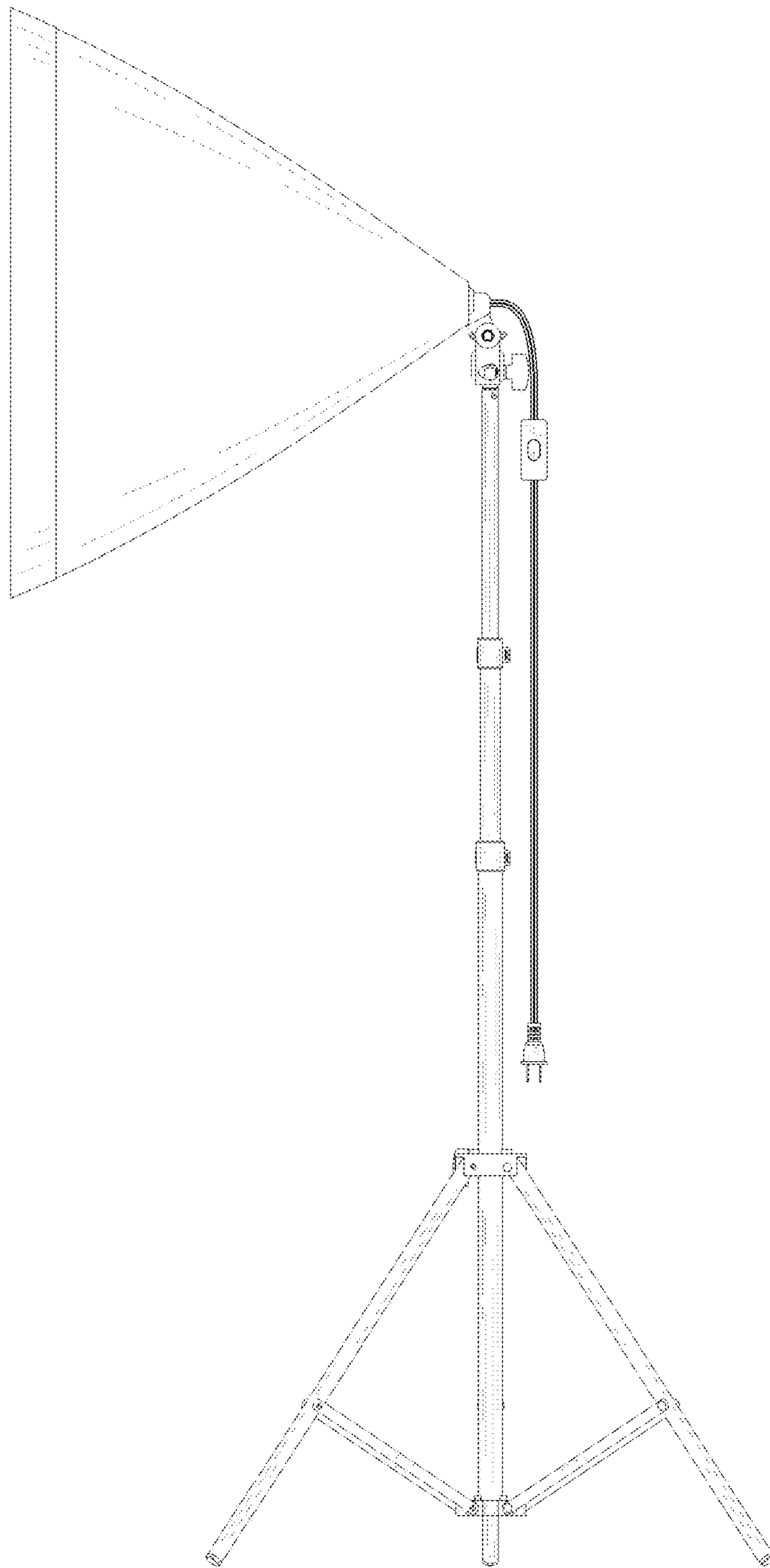


FIG. 6

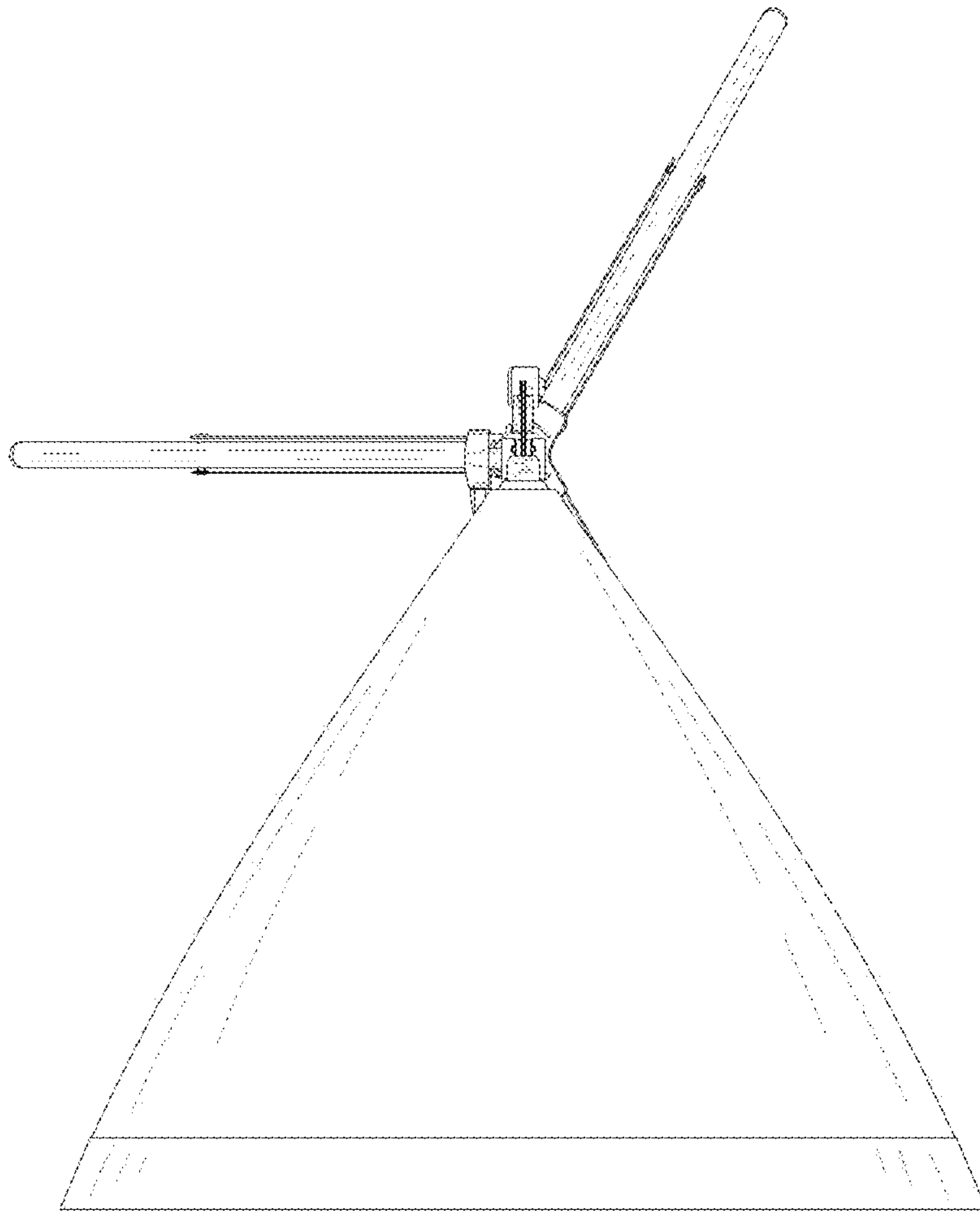


FIG. 7

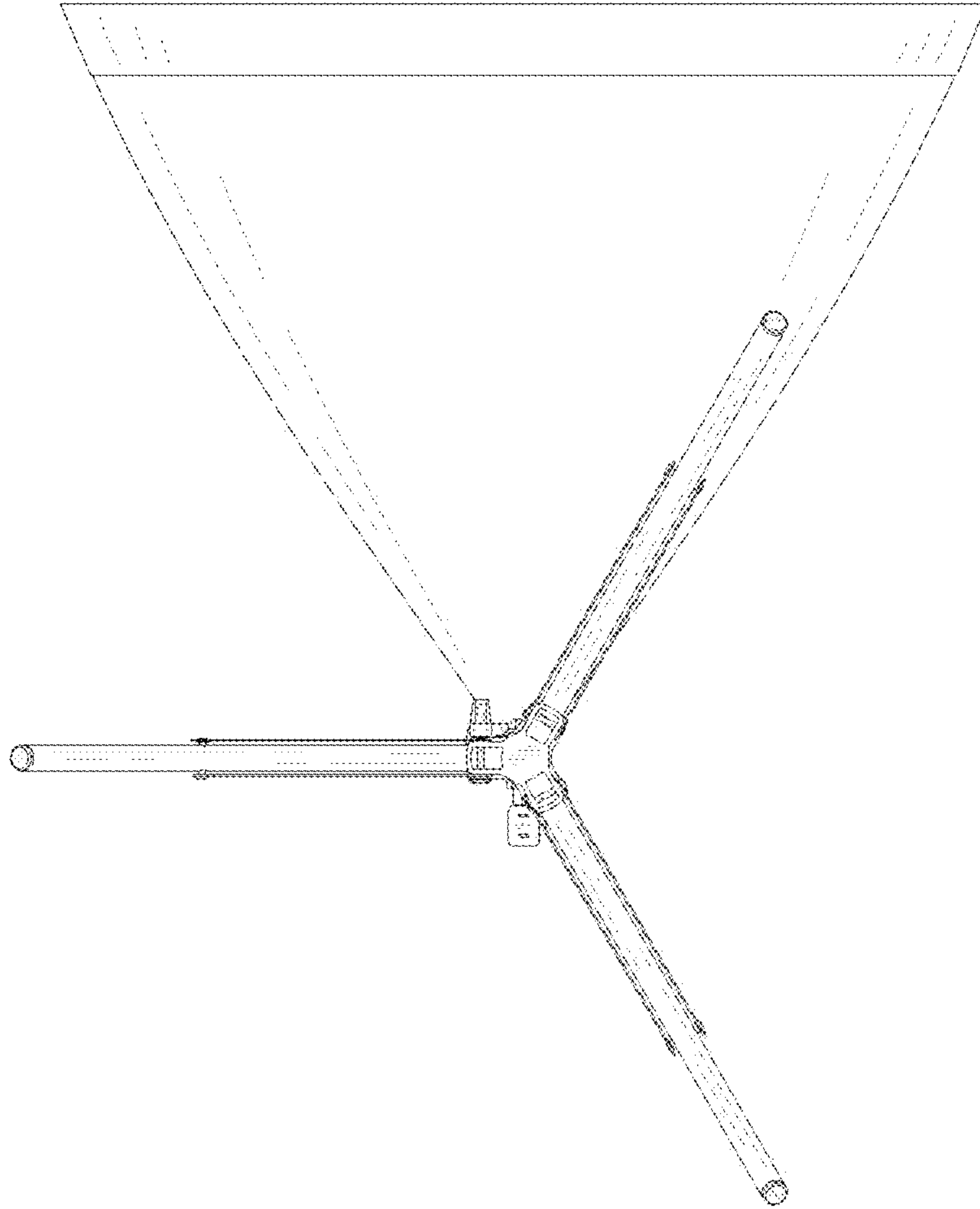


FIG. 8

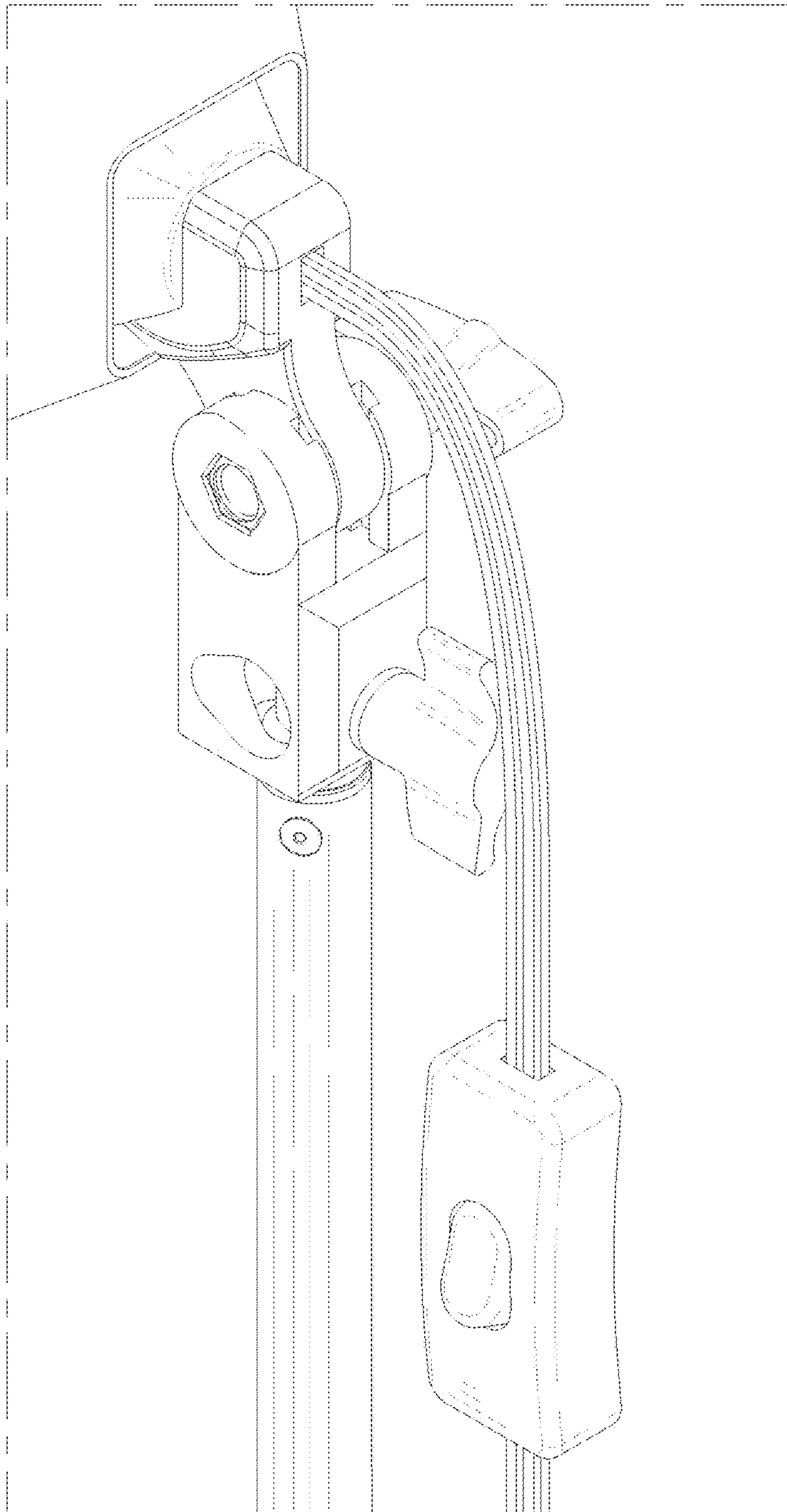


FIG. 9

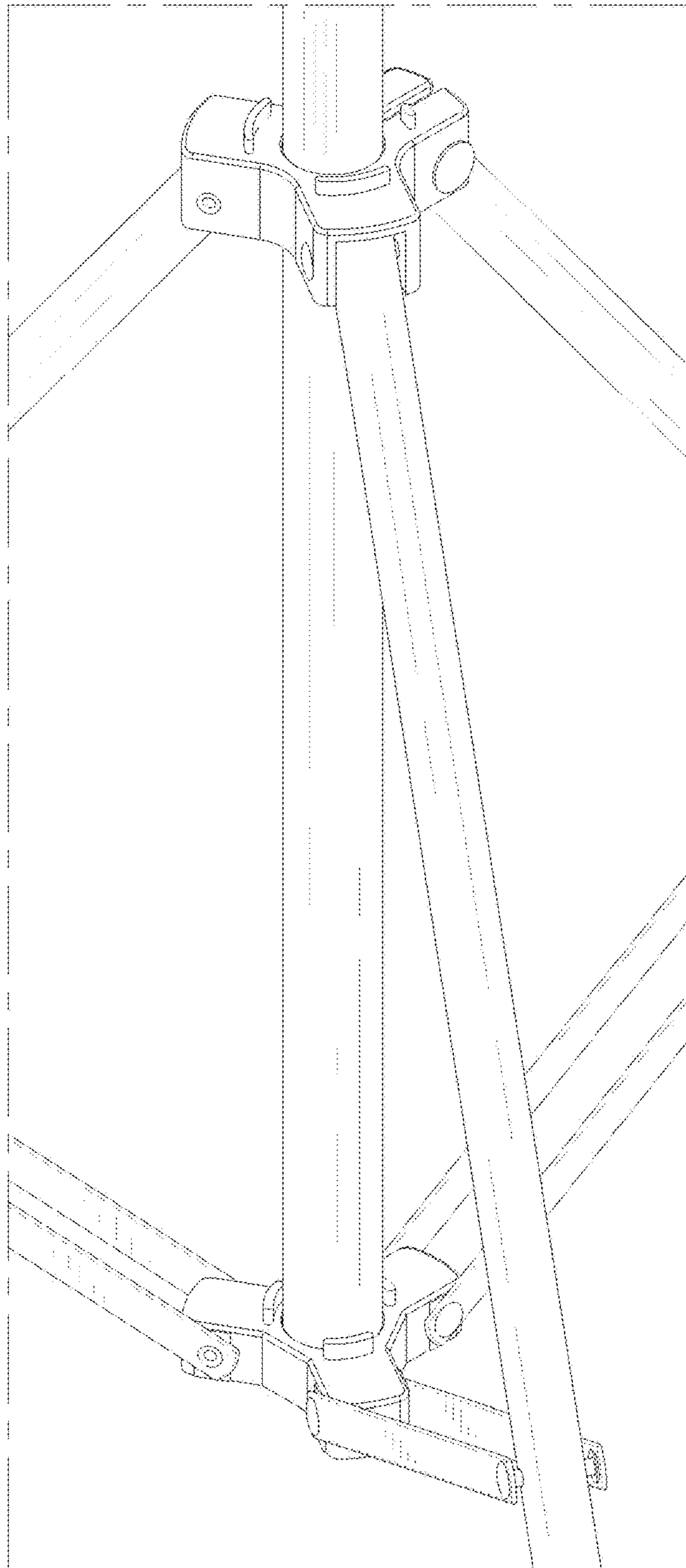


FIG.10

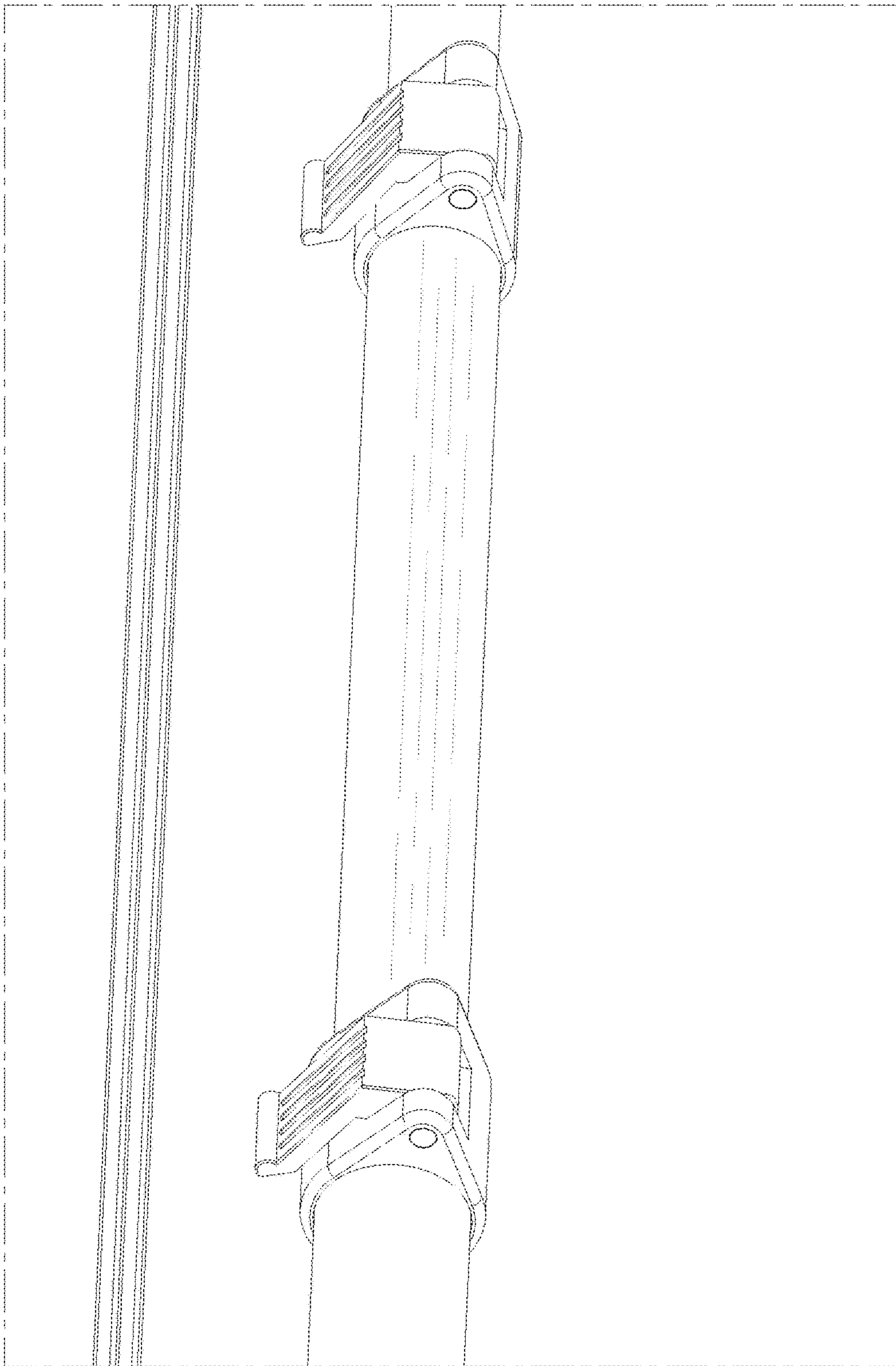


FIG.11

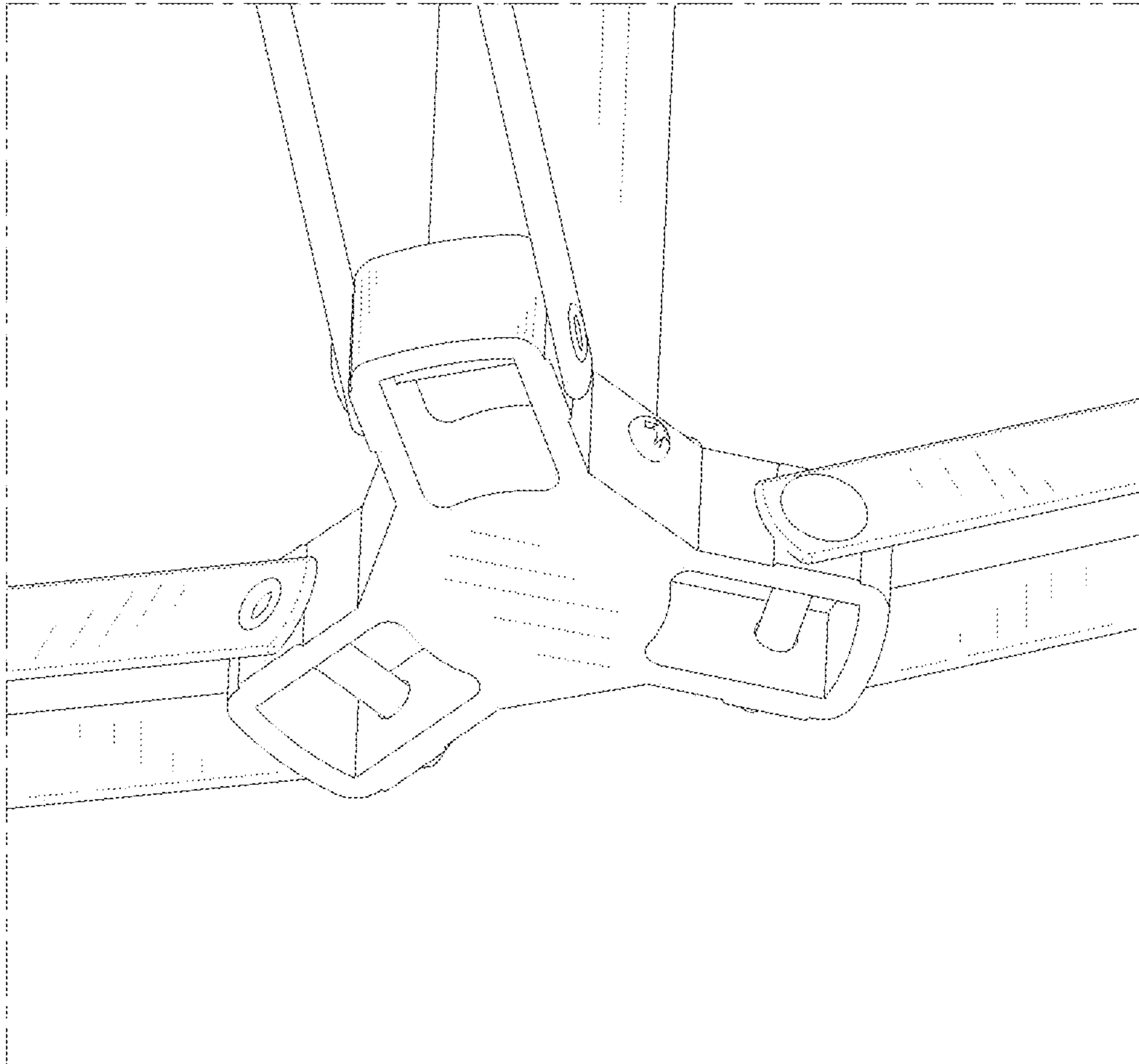


FIG.12