



US00D979631S

(12) **United States Design Patent**
Sjögren et al.

(10) **Patent No.:** **US D979,631 S**

(45) **Date of Patent:** **** Feb. 28, 2023**

(54) **MONITORING CAMERA**

(71) Applicant: **AXIS AB**, Lund (SE)

(72) Inventors: **Jonas Sjögren**, Lund (SE); **Maiko Karlsson**, Lund (SE); **Julia Giver**, Lund (SE); **Olaf Hoyer**, Lund (SE); **Henrik Svedberg**, Lund (SE)

(73) Assignee: **AXIS AB**, Lund (SE)

(**) Term: **15 Years**

(21) Appl. No.: **29/775,826**

(22) Filed: **Mar. 25, 2021**

(30) **Foreign Application Priority Data**

Sep. 28, 2020 (EM) 008188437-0002

(51) **LOC (14) Cl.** **16-01**

(52) **U.S. Cl.**
USPC **D16/203**

(58) **Field of Classification Search**
USPC D16/200–203, 208, 217; D10/46, 61, 62,
D10/104.1, 106.5, 106.6, 109.1, 109.2,
D10/114.8; D14/203.1, 474, 498, 506,
D14/509, 510

CPC G03B 17/00; G03B 17/56; H04N 5/781
See application file for complete search history.

(56) **References Cited**

U.S. PATENT DOCUMENTS

- D694,305 S * 11/2013 Katori D16/203
- D729,859 S * 5/2015 Shin D16/203
- D748,178 S * 1/2016 Scalisi D10/118.2
- D749,660 S * 2/2016 Yu D16/203
- D751,621 S * 3/2016 Katori D16/203
- D751,937 S * 3/2016 Treadwell D10/106.6
- D752,674 S * 3/2016 Katori D16/203
- D755,068 S * 5/2016 Treadwell D10/106.6

- D796,566 S * 9/2017 Bingleman D16/203
- D796,567 S * 9/2017 Bingleman D16/203
- D822,088 S * 7/2018 Park D16/203

(Continued)

FOREIGN PATENT DOCUMENTS

- CN 304927170 * 12/2018
- EM 004529626-0001 1/2017

(Continued)

OTHER PUBLICATIONS

“Amcrest Fisheye IP POE Camera, 360° Panoramic 5-Megapixel POE IP Camera, Fish Eye Security Indoor Camera, 33ft Nightvision, IVS Features and People Counting, MicroSD Recording, IP5M-F1180EW-V2 (White)” from Amazon.com, first available Oct. 3, 2019 from the internet <<https://www.amazon.com/Amcrest-5-Megapixel-Panoramic-Nightvision-IP5M-F1180EW/dp/B07YNVJDJH/>> (Year: 2019).*

(Continued)

Primary Examiner — Elizabeth J Oswecki
Assistant Examiner — Lacey Chey Bowman
(74) *Attorney, Agent, or Firm* — Volpe Koenig

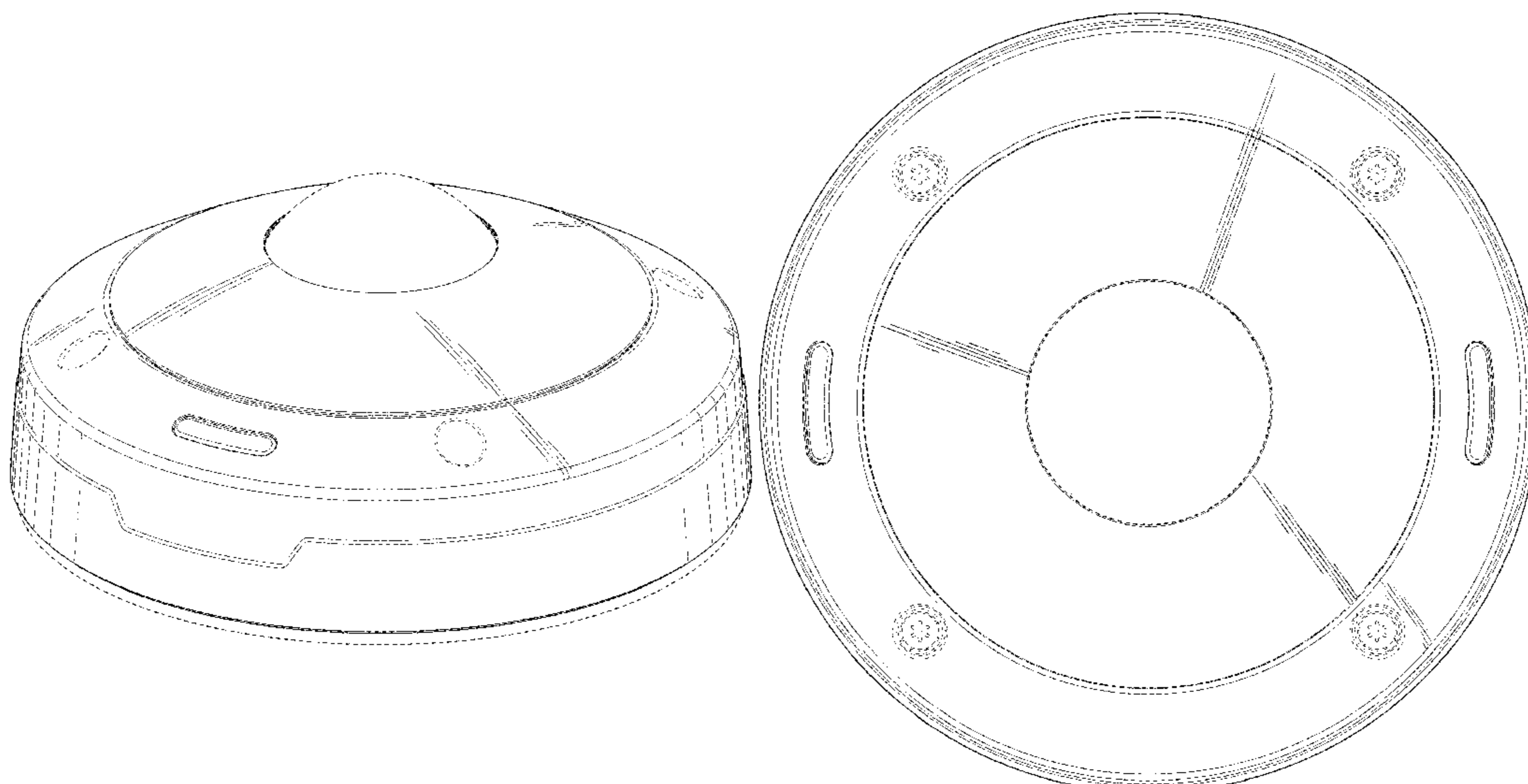
(57) **CLAIM**

The ornamental design for a monitoring camera, as shown and described.

DESCRIPTION

FIG. 1 is a perspective view of a monitoring camera showing our new design;
FIG. 2 is a top plan view thereof;
FIG. 3 is a front elevational view thereof;
FIG. 4 is a left side elevational view thereof;
FIG. 5 is a right side elevational view thereof;
FIG. 6 is a rear elevational view thereof; and,
FIG. 7 is a bottom plan view thereof.
The broken lines represent portions of the monitoring camera that form no part of the claimed design.

1 Claim, 4 Drawing Sheets



(56)

References Cited

U.S. PATENT DOCUMENTS

D837,863	S	*	1/2019	Persson	D16/203
D848,514	S	*	5/2019	Ahman	D16/203
D849,096	S	*	5/2019	Bergstrom	D16/203
D849,120	S	*	5/2019	Ahman	D16/203
D860,288	S	*	9/2019	Ohashi	D16/203
D866,636	S	*	11/2019	Walter	D16/203
D866,641	S	*	11/2019	Walter	D16/203
D891,500	S	*	7/2020	Tang	D16/203
D923,072	S	*	6/2021	Persson	D16/203
D953,901	S	*	6/2022	Cound	D10/70
D960,742	S	*	8/2022	Okoli	D10/46

FOREIGN PATENT DOCUMENTS

EM	004529626-0002		1/2017
EM	004529626-0003		1/2017
KR	300756339.0000	*	8/2014
TW	204854-0001	*	5/2020

OTHER PUBLICATIONS

“Montavue 12MP 360° AI Panoramic Fisheye Security Camera—MTF12360-AI” from Montavue.com, first retrieved on Nov. 14, 2022 from the internet <https://montavue.com/products/montavue-12mp-360-ai-panoramic-fisheye-security-camera-mtf12360-ai?variant=41927820542128&utm_source=GoogleShopping&utm_medium=AdWords&utm_campaign=ShoppingFeed&gc_id=18225136727&gclid=EAIaIqobChMI3aDD37Ou-wlVArLlChlpKgyMEAkYCiABEgllkPD_BwE> (Year: 2022).*

“InVid ULT-P6PAN 6 Megapixel Outdoor Vandal IP Plug & Play Panoramic Camera, 1.27mm Lens” from Surveillance-video.com, first retrieved Nov. 14, 2022 from the internet <<https://www.surveillance-video.com/camera-ult-p6pan.html>> (Year: 2022).*

* cited by examiner

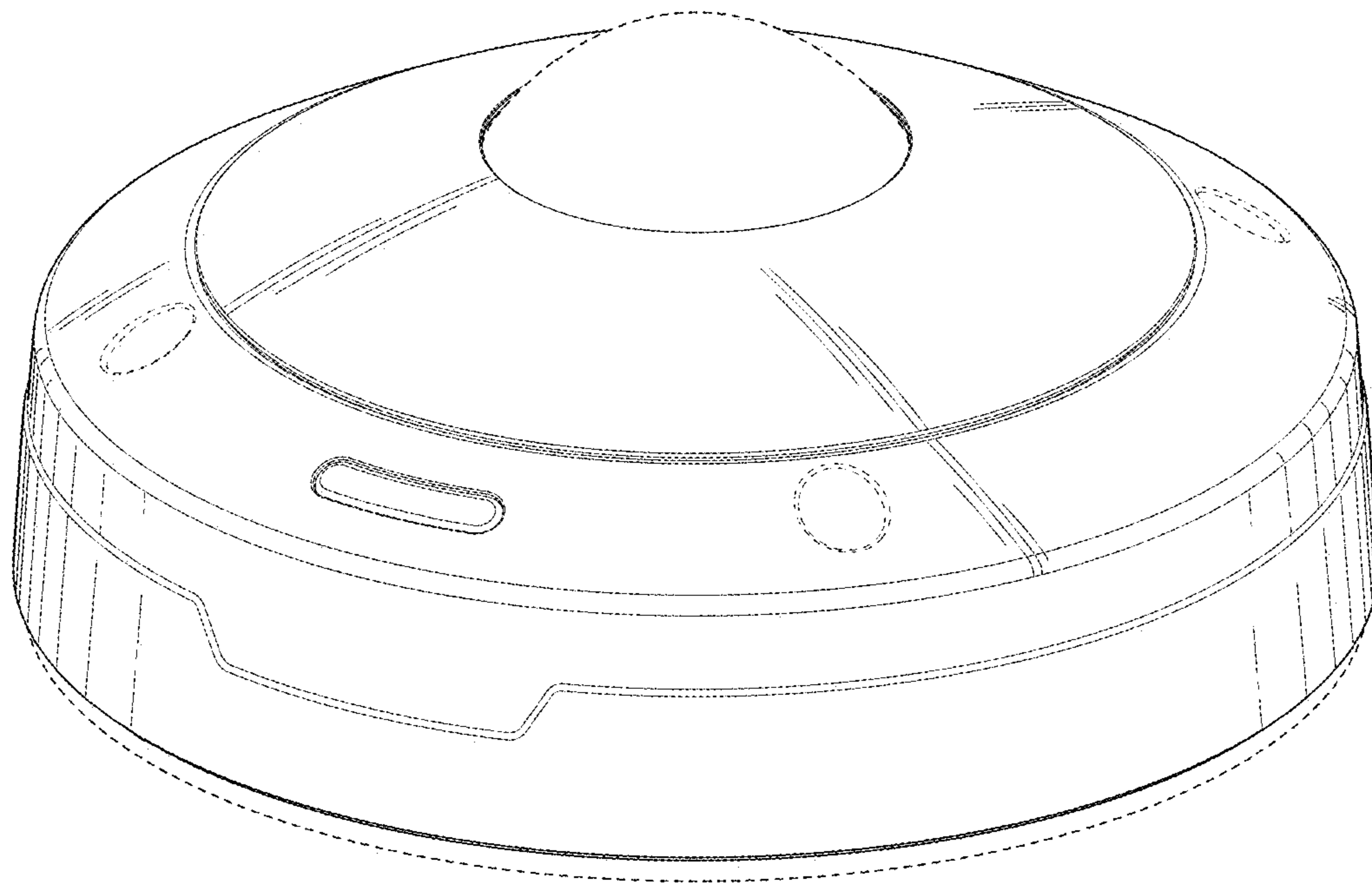


Fig. 1

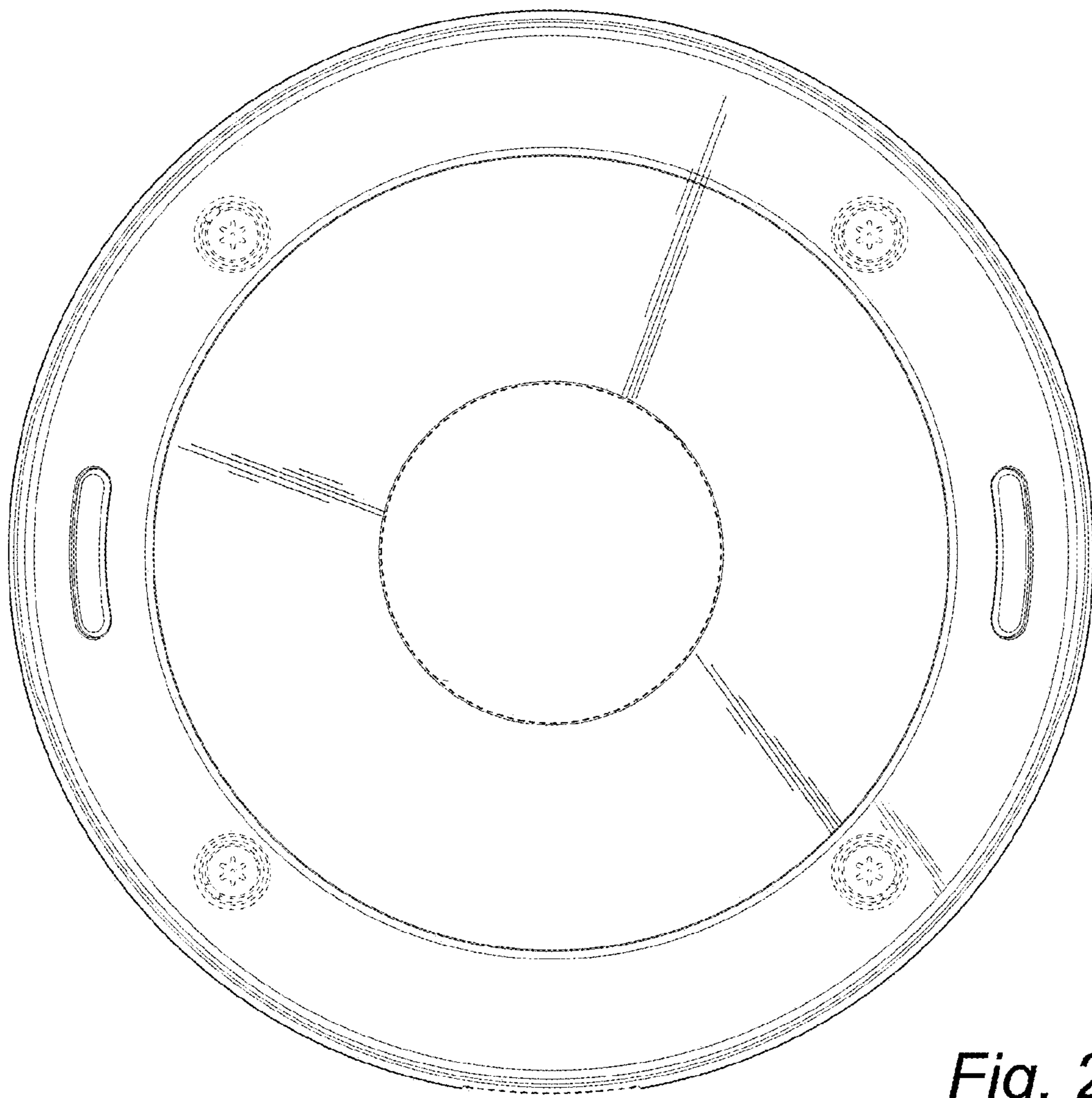


Fig. 2

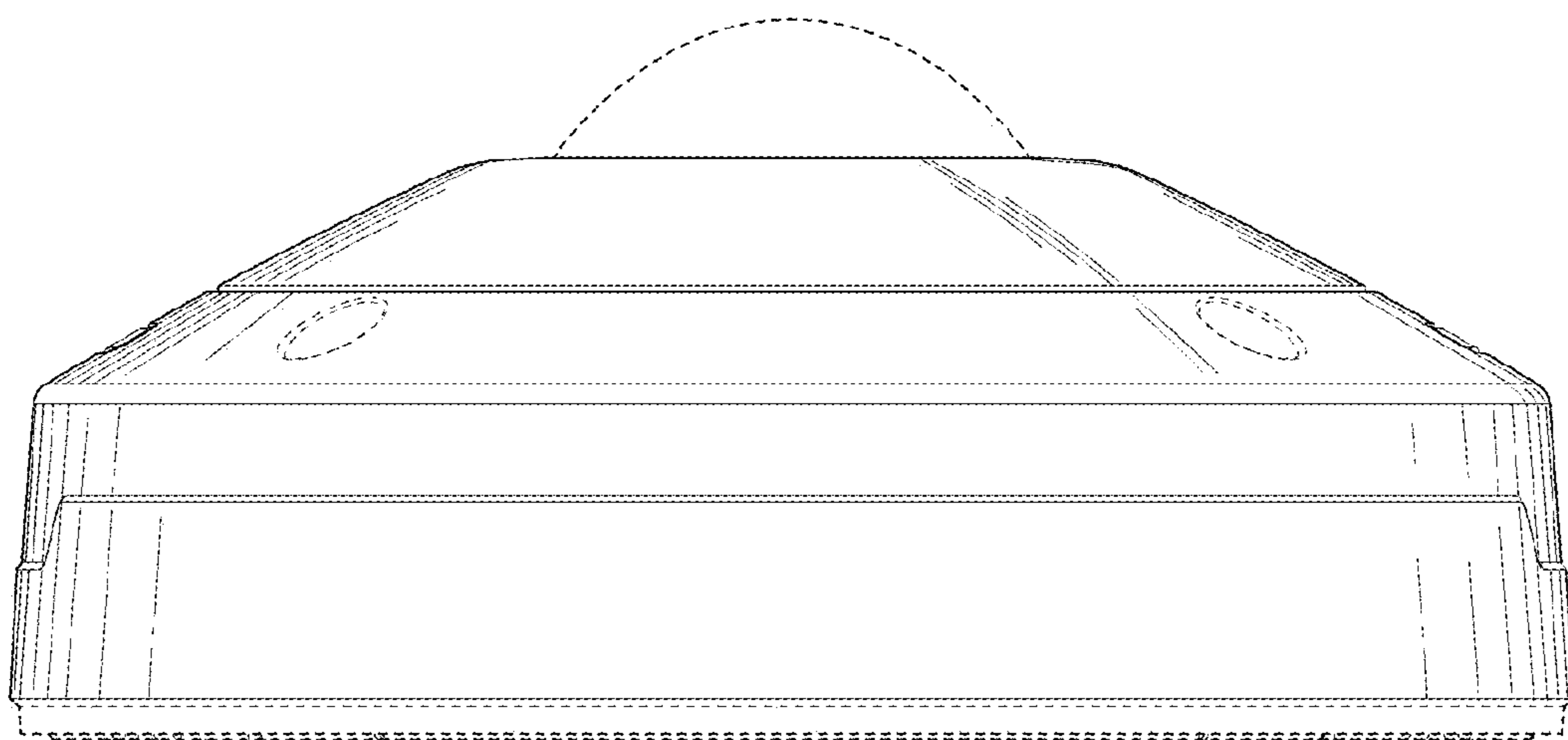


Fig. 3

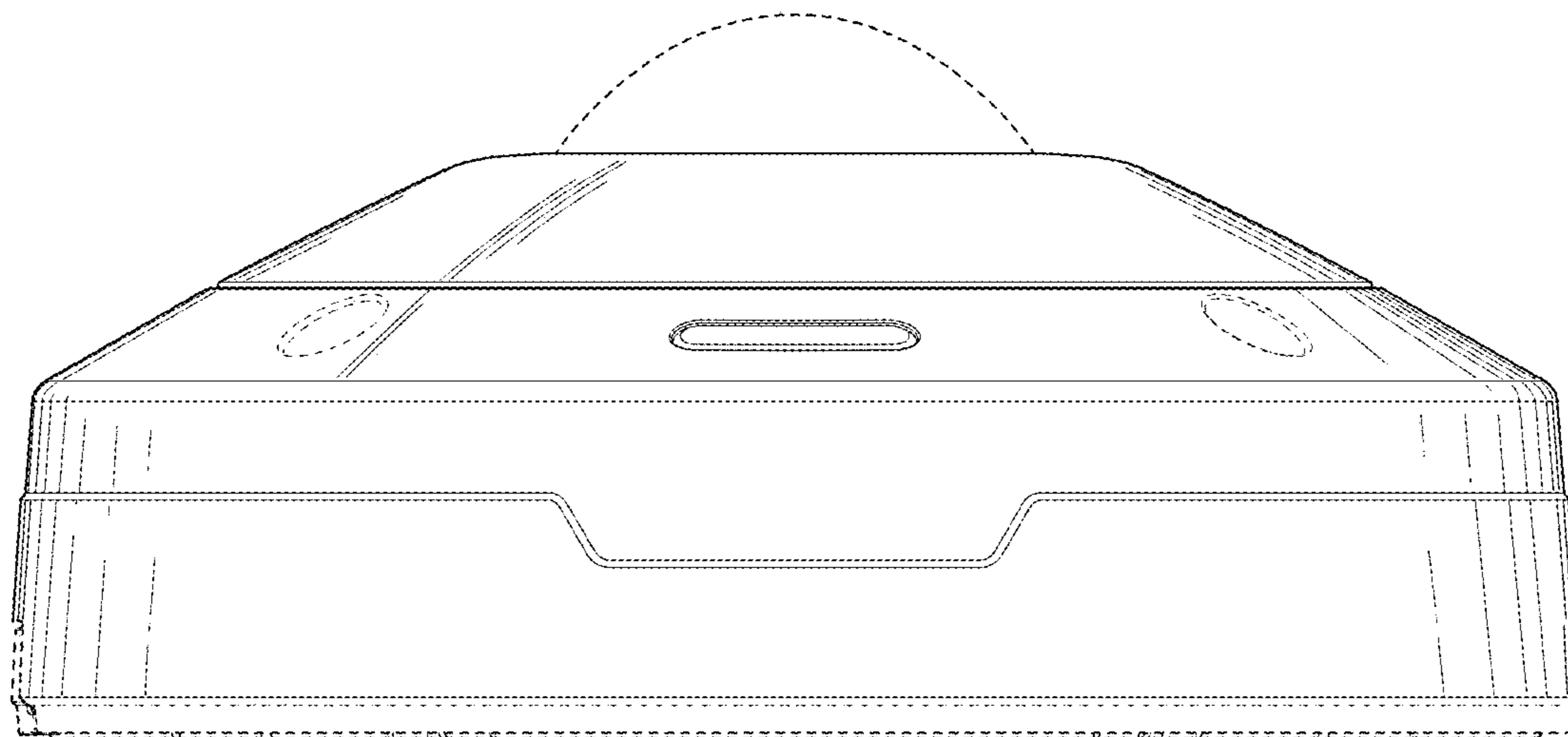


Fig. 4

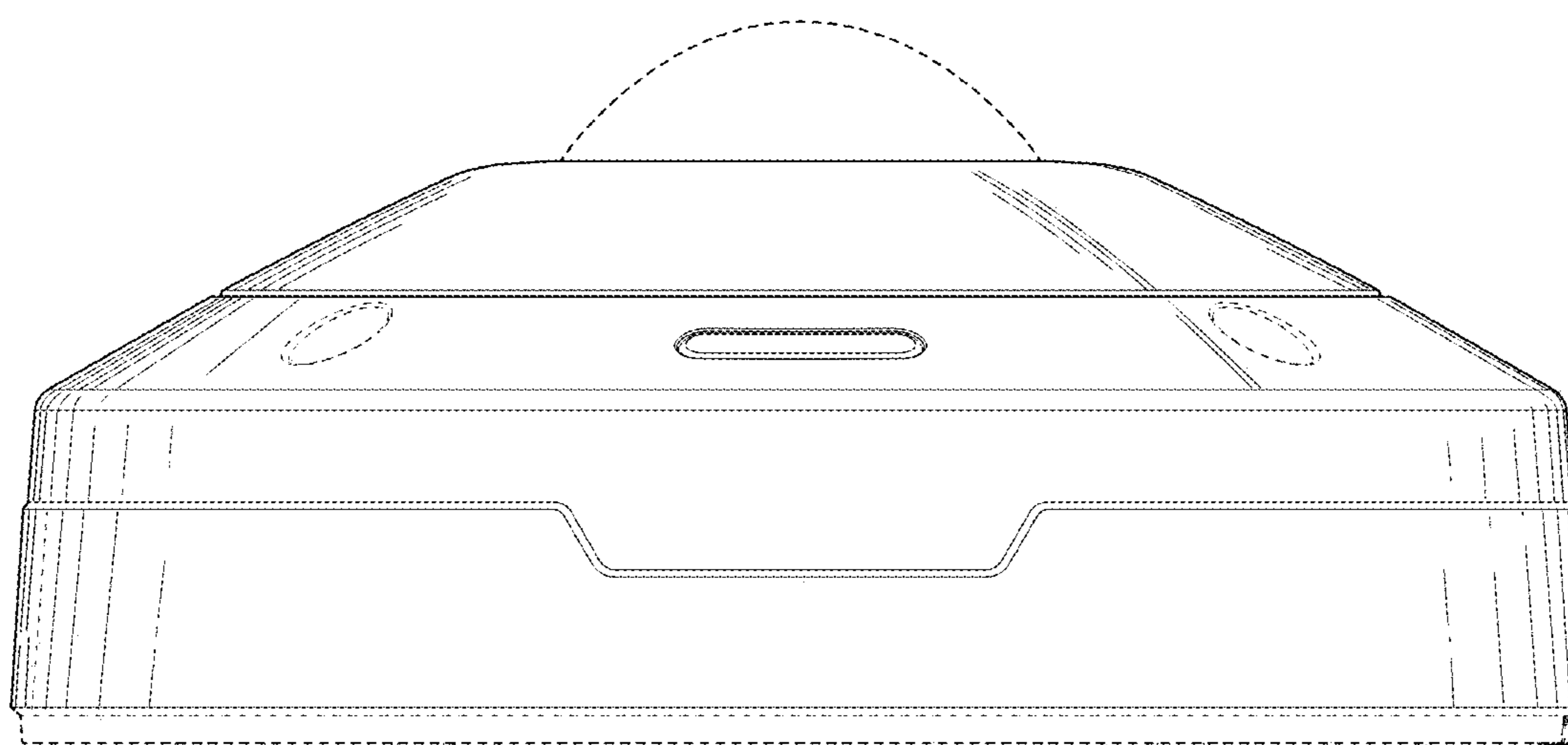


Fig. 5

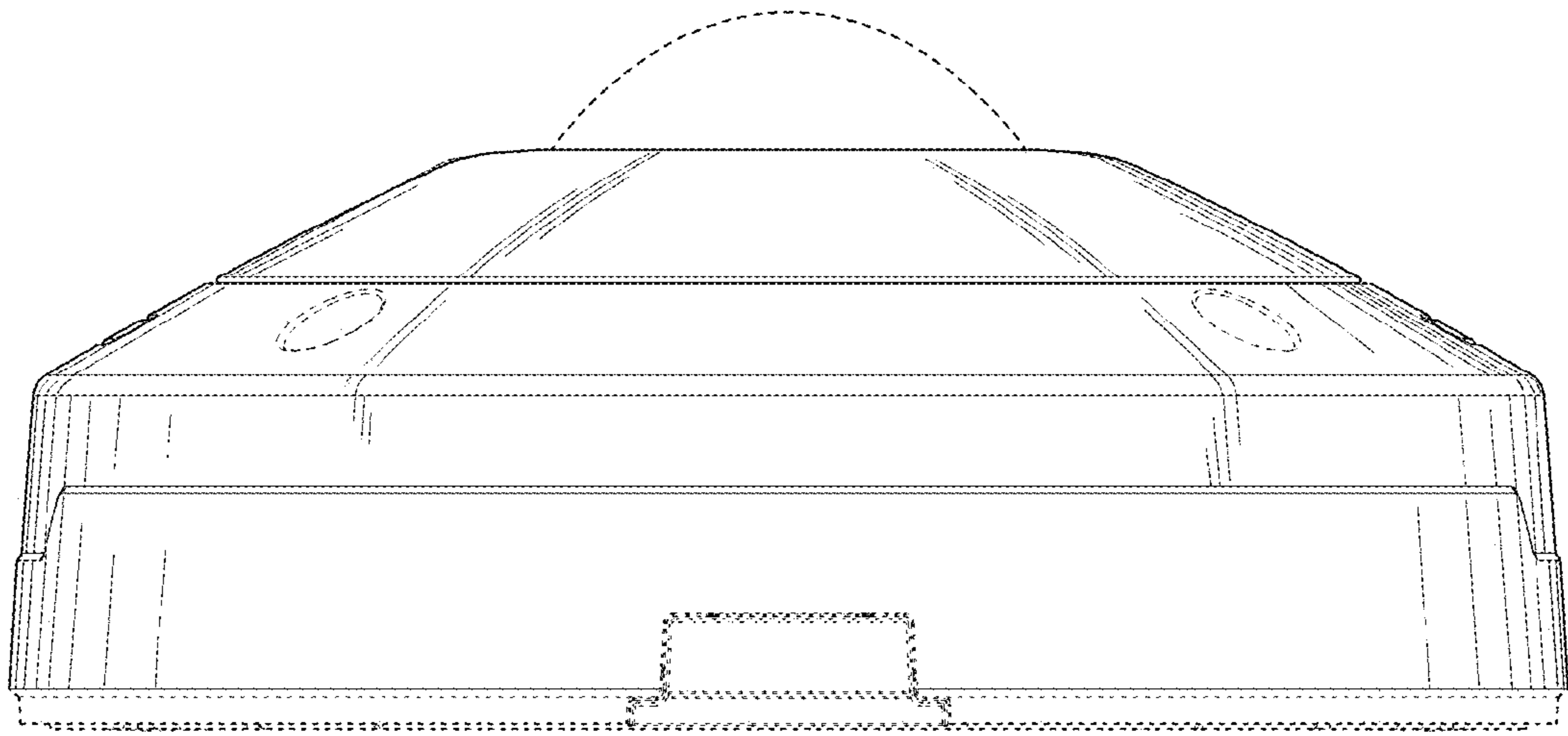


Fig. 6

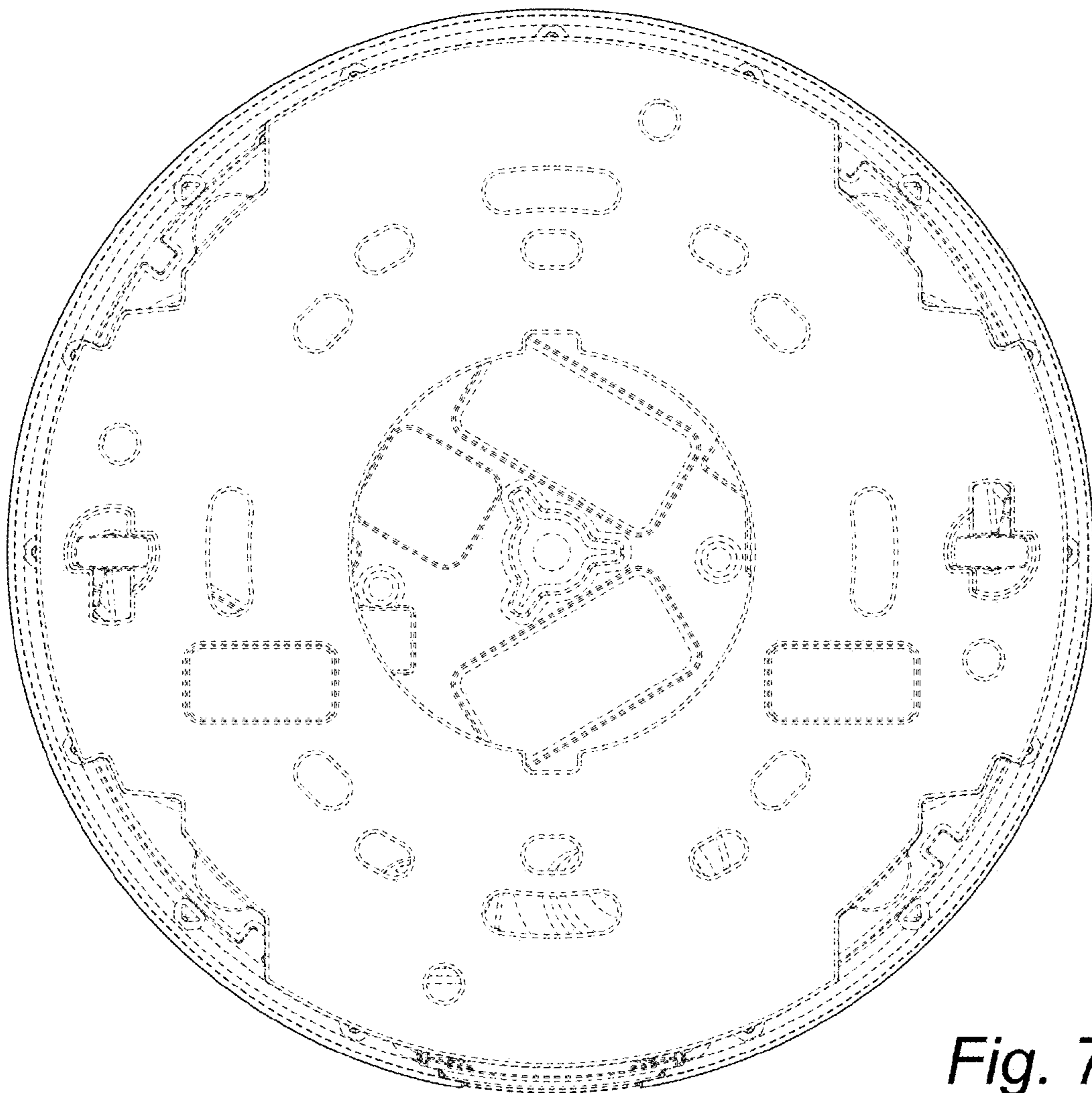


Fig. 7