



US00D979630S

(12) **United States Design Patent**
Park et al.

(10) **Patent No.:** **US D979,630 S**

(45) **Date of Patent:** **** Feb. 28, 2023**

(54) **SURVEILLANCE CAMERA**

(71) Applicant: **HANWHA TECHWIN CO., LTD.**,
Seongnam-si (KR)

(72) Inventors: **Ho Jin Park**, Seongnam-si (KR); **Mun Jun Park**, Seongnam-si (KR)

(73) Assignee: **HANWHA TECHWIN CO., LTD.**,
Seongnam-si (KR)

(**) Term: **15 Years**

(21) Appl. No.: **29/729,881**

(22) Filed: **Mar. 31, 2020**

(30) **Foreign Application Priority Data**

Mar. 10, 2020 (KR) 30-2020-0010662

(51) **LOC (14) Cl.** **16-01**

(52) **U.S. Cl.**
USPC **D16/203**

(58) **Field of Classification Search**
USPC D16/200–203, 207–208, 213–214,
D16/218–219; D10/46, 61, 104.1, 106.6,
D10/106.7, 109.2; D14/203.1, 204,
D14/209.1, 317, 474, 496
CPC G03B 17/00; G03B 17/02; G03B 2217/00;
H04N 5/2251; H04N 5/2252
See application file for complete search history.

(56) **References Cited**

U.S. PATENT DOCUMENTS

D673,989 S * 1/2013 Ying D16/203
D836,148 S * 12/2018 Jeong D16/203
D870,180 S * 12/2019 Qiu D16/203
D882,664 S * 4/2020 Tang D16/203
D884,052 S * 5/2020 Tang D16/203
D884,769 S * 5/2020 Katori D16/203
D898,097 S * 10/2020 Ravat D16/203

D898,800 S * 10/2020 Zeng D16/203
D898,801 S * 10/2020 Wu D16/203
D916,165 S * 4/2021 Wang D16/203
D921,085 S * 6/2021 Li D16/203

(Continued)

FOREIGN PATENT DOCUMENTS

CN 304031393 * 2/2017
KR 301036868.0000 * 12/2019
KR 301081420.0000 * 11/2020

OTHER PUBLICATIONS

“New Video Surveillance Cameras with Wifi Mini E27 Bulb Socket Cloud Storage Remote View Home Protection Smart Device Alarm Push” from Alibaba.com, first retrieved Jul. 11, 2022 from the internet <https://www.alibaba.com/product-detail/New-Video-Surveillance-Cameras-with-Wifi_1600407250021.html> (Year: 2022).*

(Continued)

Primary Examiner — Elizabeth J Oswecki
Assistant Examiner — Lacey Chey Bowman
(74) *Attorney, Agent, or Firm* — Sughrue Mion, PLLC

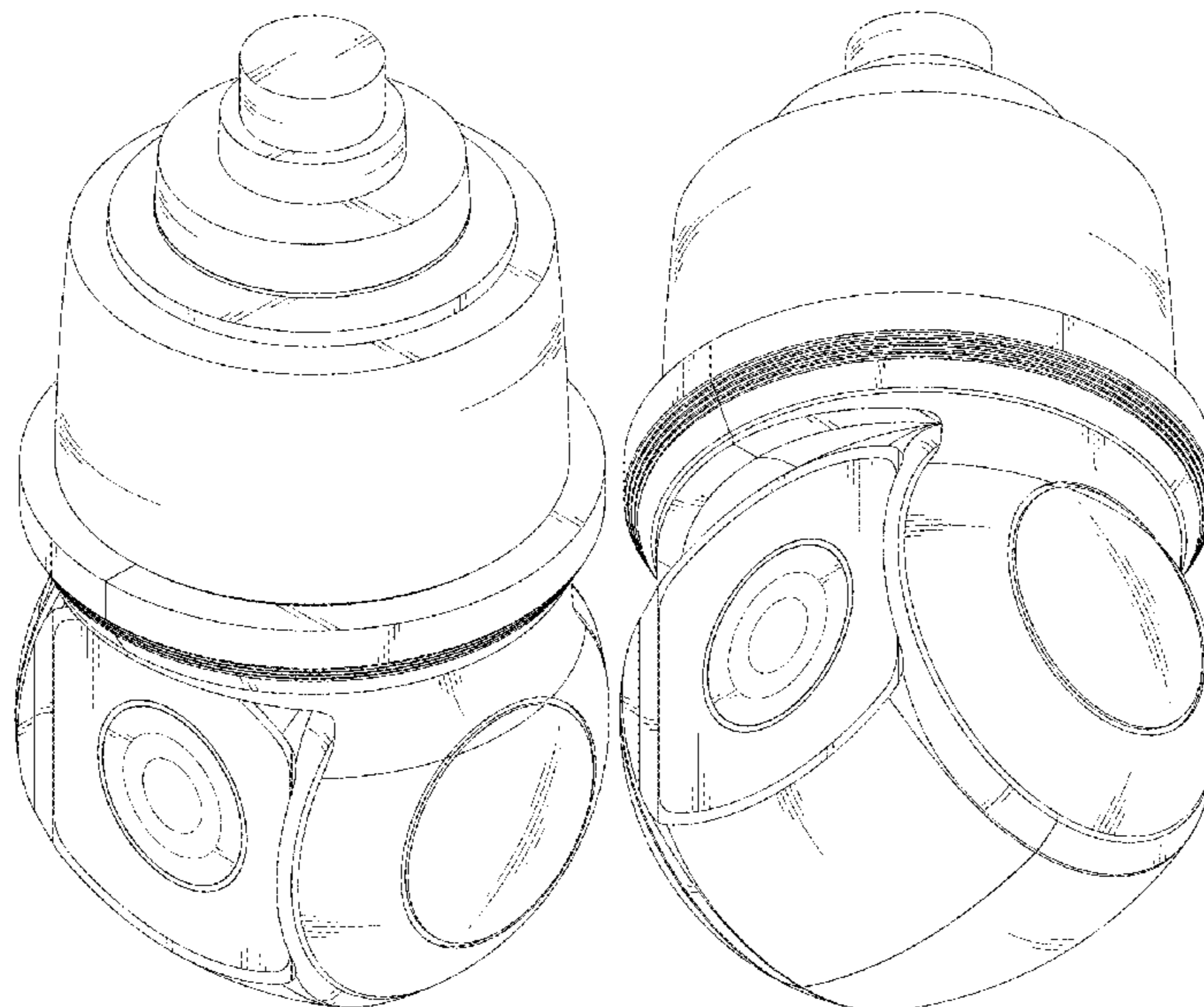
(57) **CLAIM**

The ornamental design for a surveillance camera, as shown and described.

DESCRIPTION

FIG. 1 is a top perspective view of a surveillance camera showing the whole shape of this our new design; FIG. 2 is a front view thereof; FIG. 3 is a rear view thereof; FIG. 4 is a left side view thereof; FIG. 5 is a right side view thereof; FIG. 6 is a top plan view thereof; FIG. 7 is a bottom plan view thereof; and, FIG. 8 is a bottom perspective view thereof. The features of the surveillance camera shown in broken lines form no part of the claimed design.

1 Claim, 8 Drawing Sheets



(56)

References Cited

U.S. PATENT DOCUMENTS

D952,022 S * 5/2022 Yang D16/203
2017/0363932 A1 * 12/2017 Lim F16M 11/2014

OTHER PUBLICATIONS

“Inqmega Tuya E27 Bulb Camera IP PTZ Wifi Camera Security Protection CCTV E27 Light Bulb Floodlight Camera Motion Sensor Alexa” from AliExpress.com, first retrieved Jul. 11, 2022 from the internet <<https://www.aliexpress.com/item/3256804021362460.html?gatewayAdapt=4itemAdapt>> (Year: 2022).*

* cited by examiner

FIG. 1

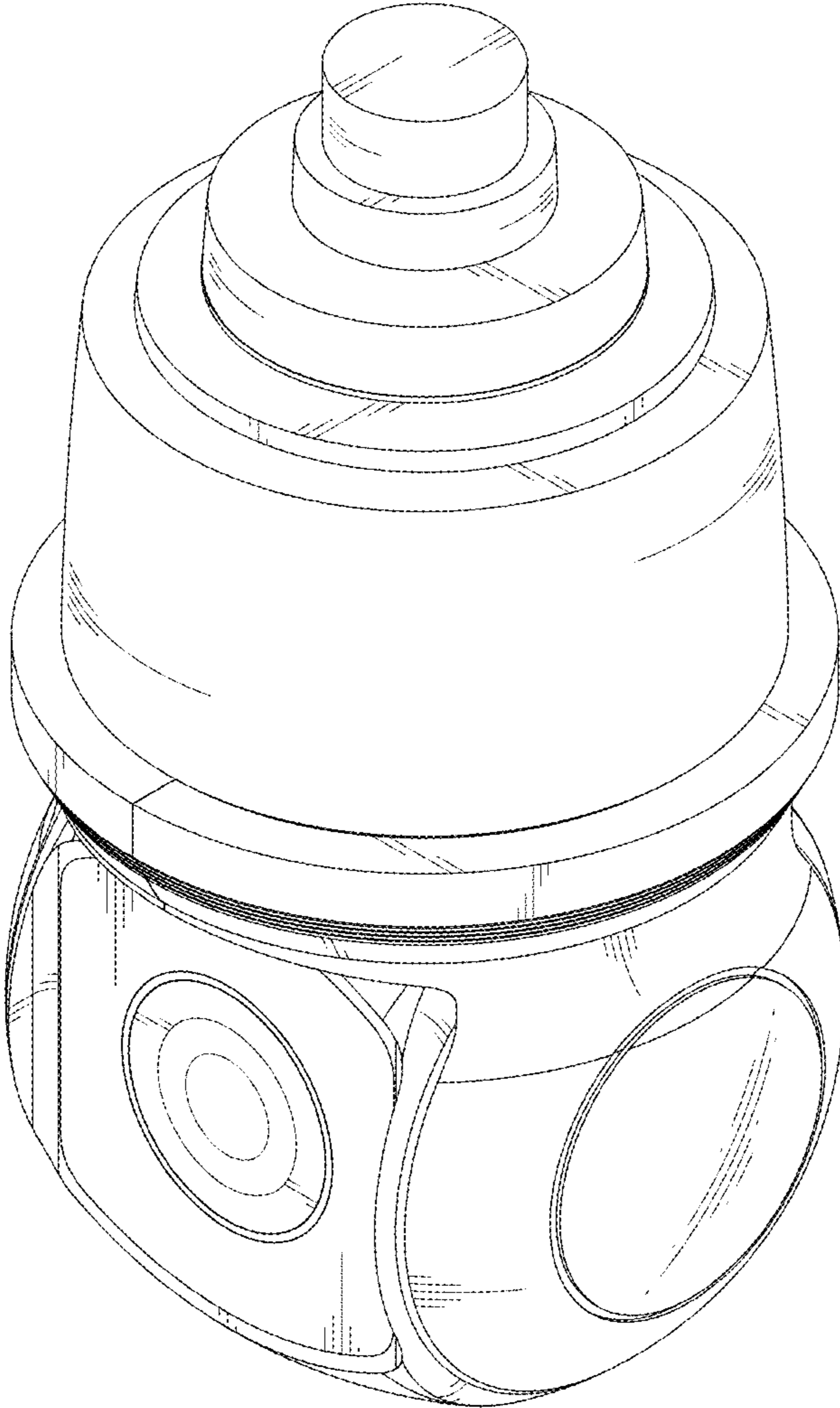


FIG. 2

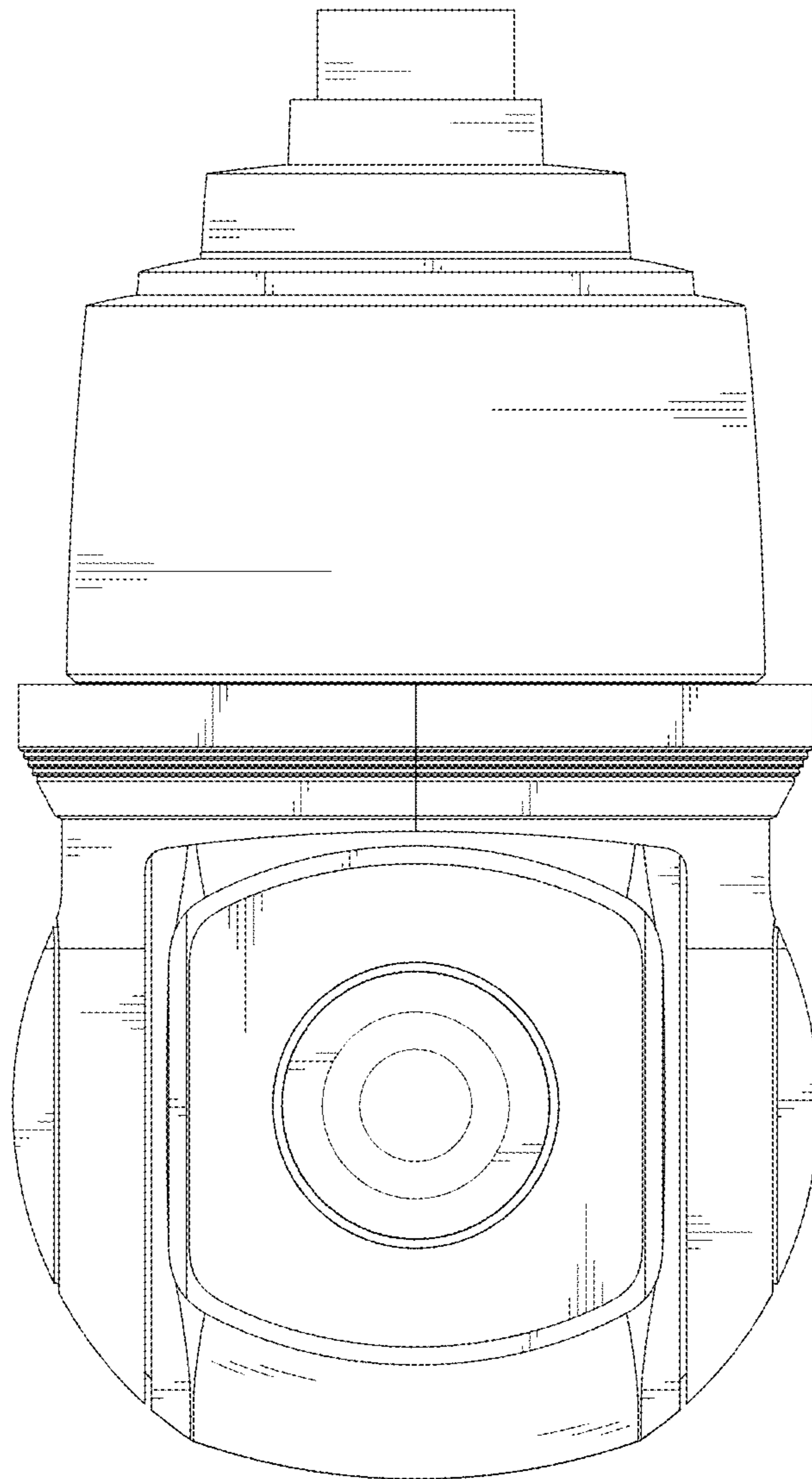


FIG. 3

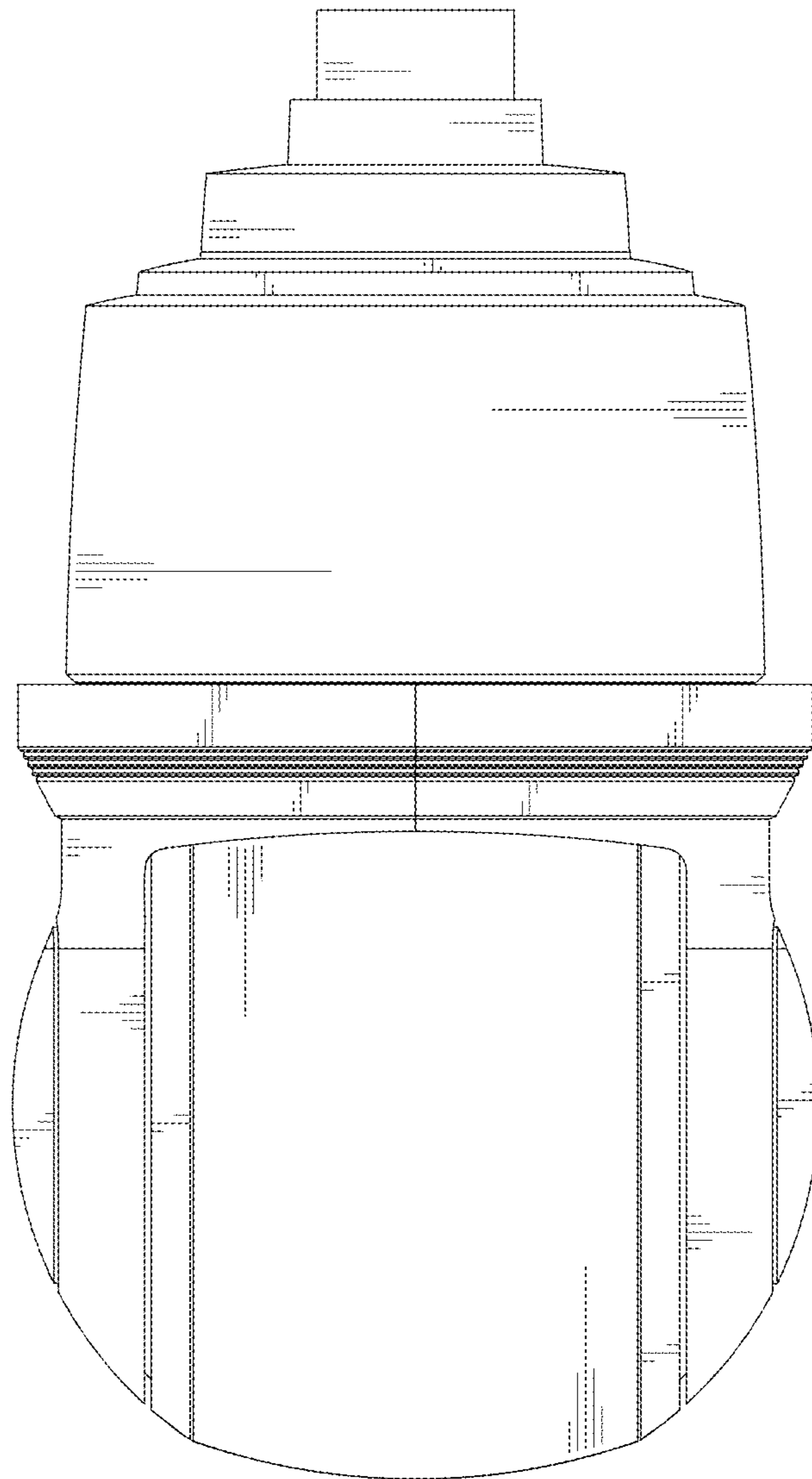


FIG. 4

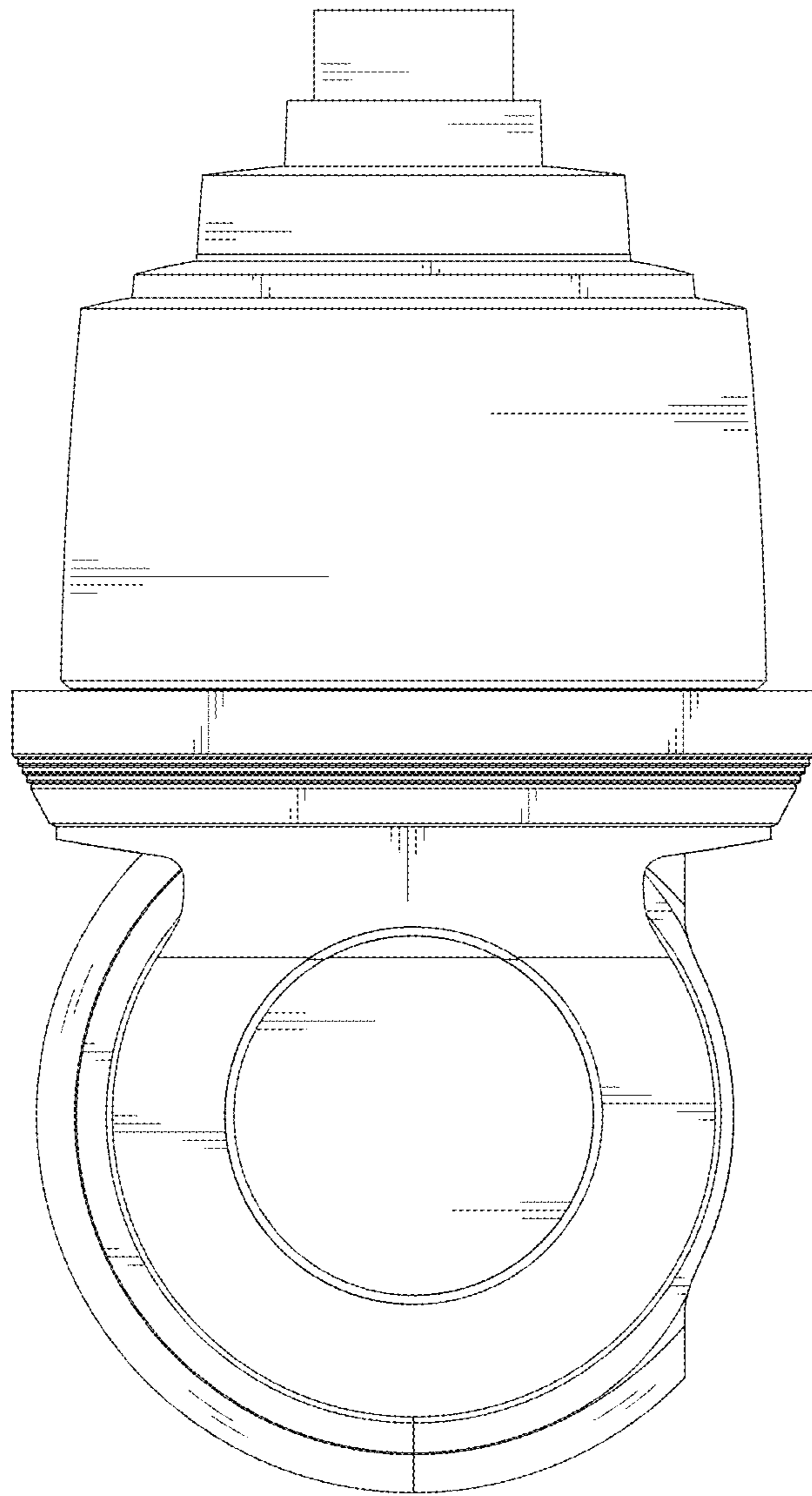


FIG. 5

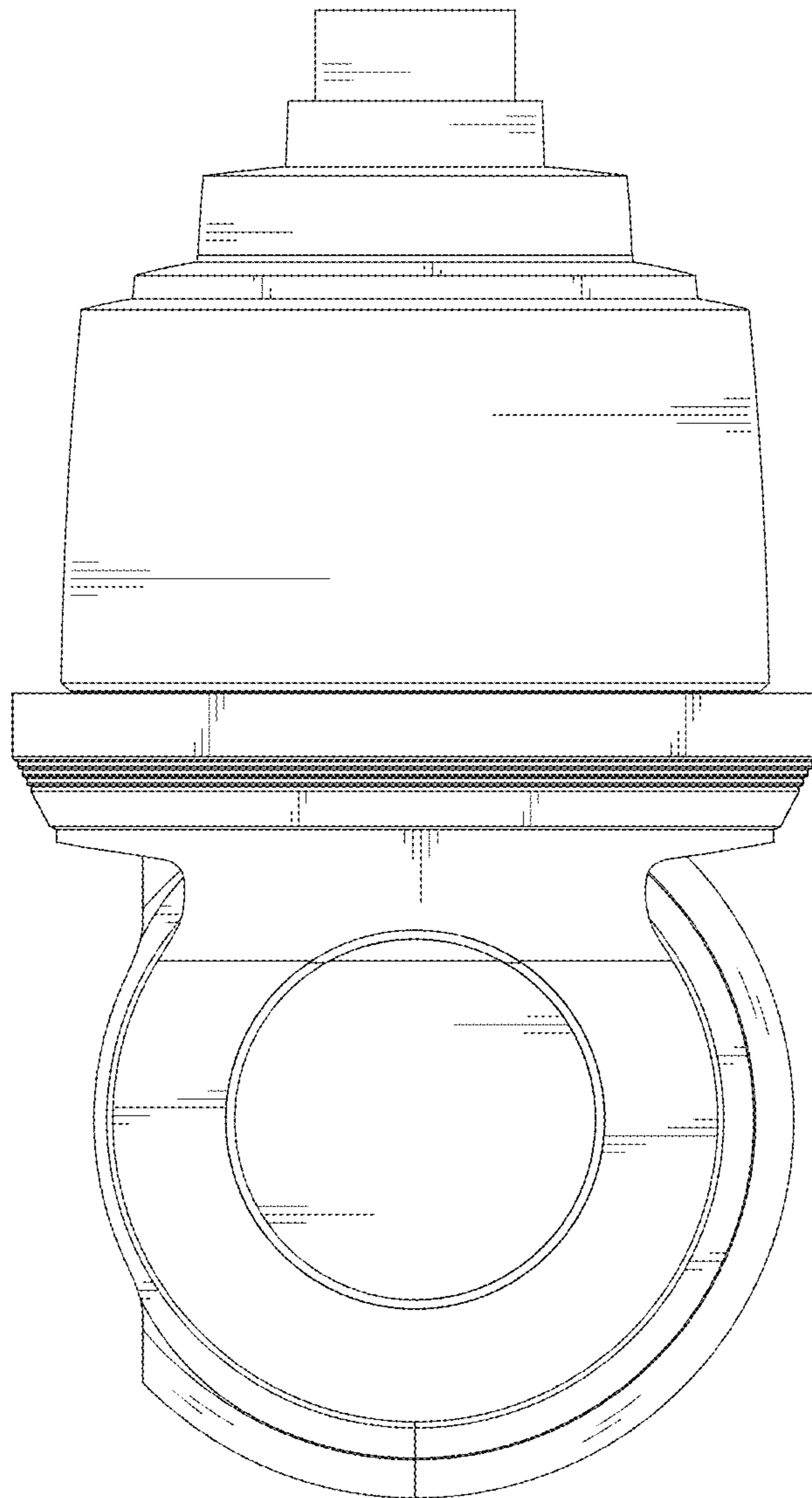


FIG. 6

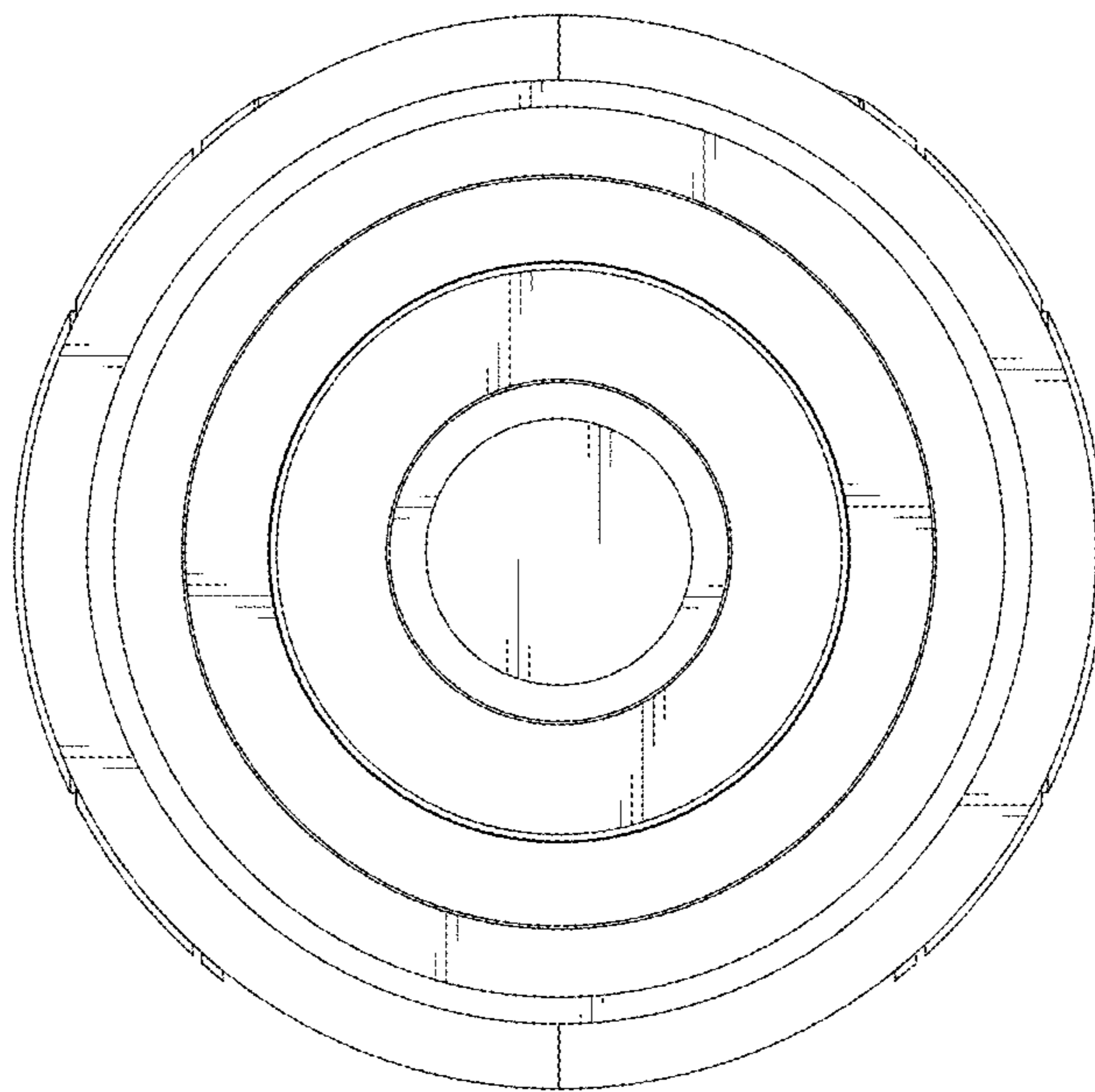


FIG. 7

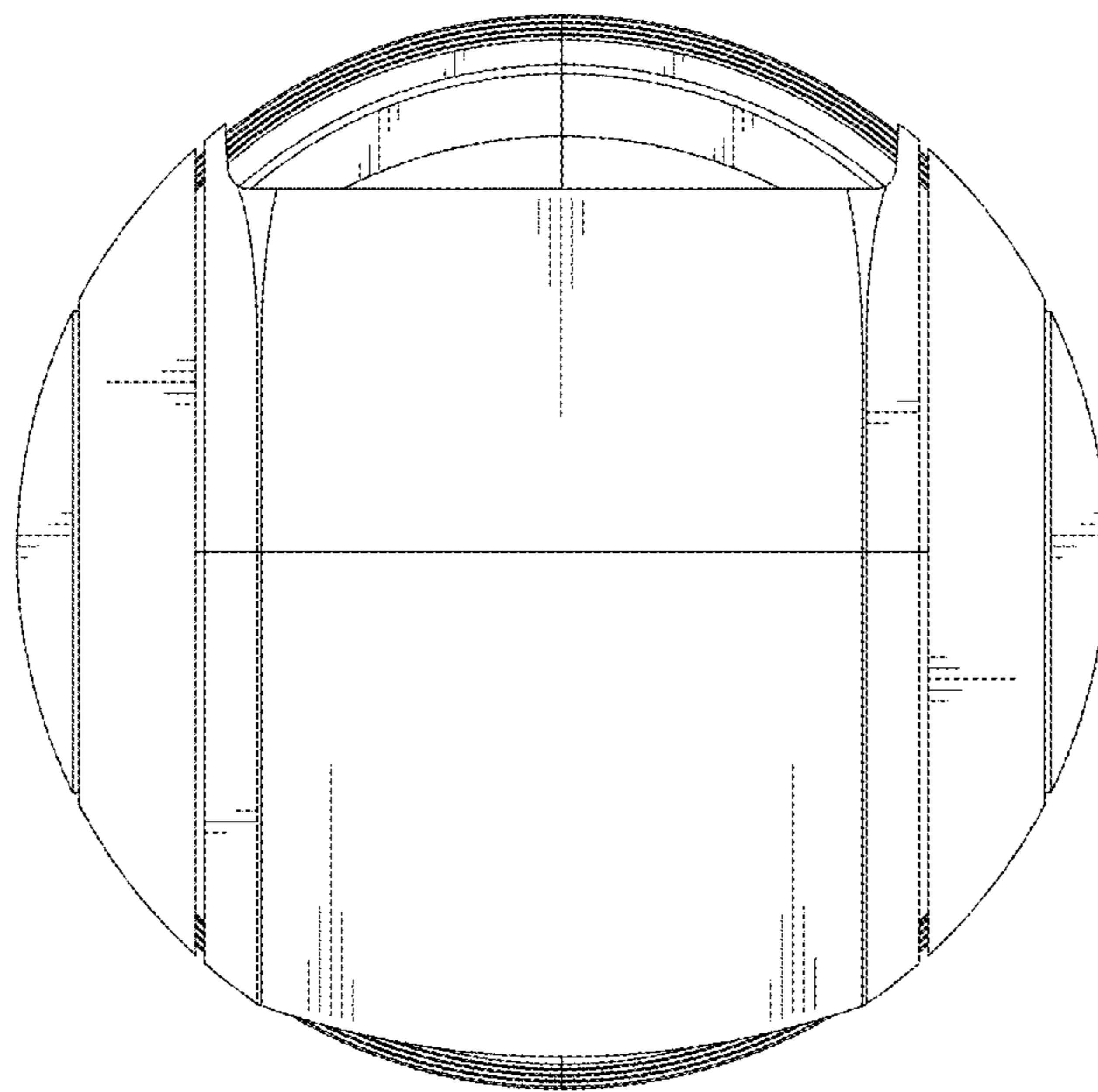


FIG. 8

