



US00D979628S

(12) **United States Design Patent**
Chen

(10) **Patent No.: US D979,628 S**

(45) **Date of Patent: ** Feb. 28, 2023**

(54) **CAMERA**

(71) Applicant: **Dongguan Aomeijia Electronic Co., Ltd.**, Dongguan (CN)

(72) Inventor: **Zhujun Chen**, Dongguan (CN)

(73) Assignee: **Dongguan Aomeijia Electronic Co., Ltd.**, Dongguan (CN)

(**) Term: **15 Years**

(21) Appl. No.: **29/763,212**

(22) Filed: **Dec. 22, 2020**

(30) **Foreign Application Priority Data**

Dec. 10, 2020 (CN) 202030762636.6

(51) **LOC (14) Cl.** **16-01**

(52) **U.S. Cl.**
USPC **D16/200; D16/203**

(58) **Field of Classification Search**
USPC D16/200, 202, 203, 204, 205, 206;
D22/119, 199

CPC G03B 17/02; G03B 17/56; G03B 15/02;
G03B 15/16; H04N 5/2252; H04N
5/2253; H04N 5/2254; G02B 2027/0138;
G02B 21/362; G02B 23/00

See application file for complete search history.

(56) **References Cited**

U.S. PATENT DOCUMENTS

D616,009 S * 5/2010 Schnell D16/218
D691,647 S * 10/2013 Ye D16/218
D960,951 S * 8/2022 Chen D16/203
D960,952 S * 8/2022 Chen D16/203

FOREIGN PATENT DOCUMENTS

CN 305921520 * 7/2020
CN 306522472 * 5/2021
CN 306522474 * 5/2021

OTHER PUBLICATIONS

Rexing Woodlens H6 Dual Camera Trail Cam, earliest pictured review Feb. 4, 2022, [online], [site visited Sep. 2, 2021]. Available from Internet, <URL:https://www.rexingusa.com/product/h6/?utm_source=Google+Shopping&utm_medium=cpc&utm_campaign=4Google&gclid=EAIaIQobChMI-fDxrdD2%E2%80%A6> (Year: 2022).*

HK Red Leaf Dual Lens Trail Camera, earliest date available unknown, [online], [site visited Sep. 2, 2022], Available from Internet, <URL:https://www.hkredleaf.com/dual-lens-trail-camera_p33.html> (Year: 2022).*

Campark Dual Lens Trail Camera, earliest pictured review 7/14/220, [online], [site visited Sep. 2, 2022]. Available from Internet, <URL:https://www.campark.net/products/campark-tc06-4k-60mp-trail-camera-with-starlight-night-vision?currency=USD&gclid=EAIaIQobChMI0I-s0cn2-QIVk8WGCh0qeQAqEAYYByABEgLTtFD_BwE> (Year: 2020).*

(Continued)

Primary Examiner — Michelle E. Wilson

Assistant Examiner — Breana Copeland

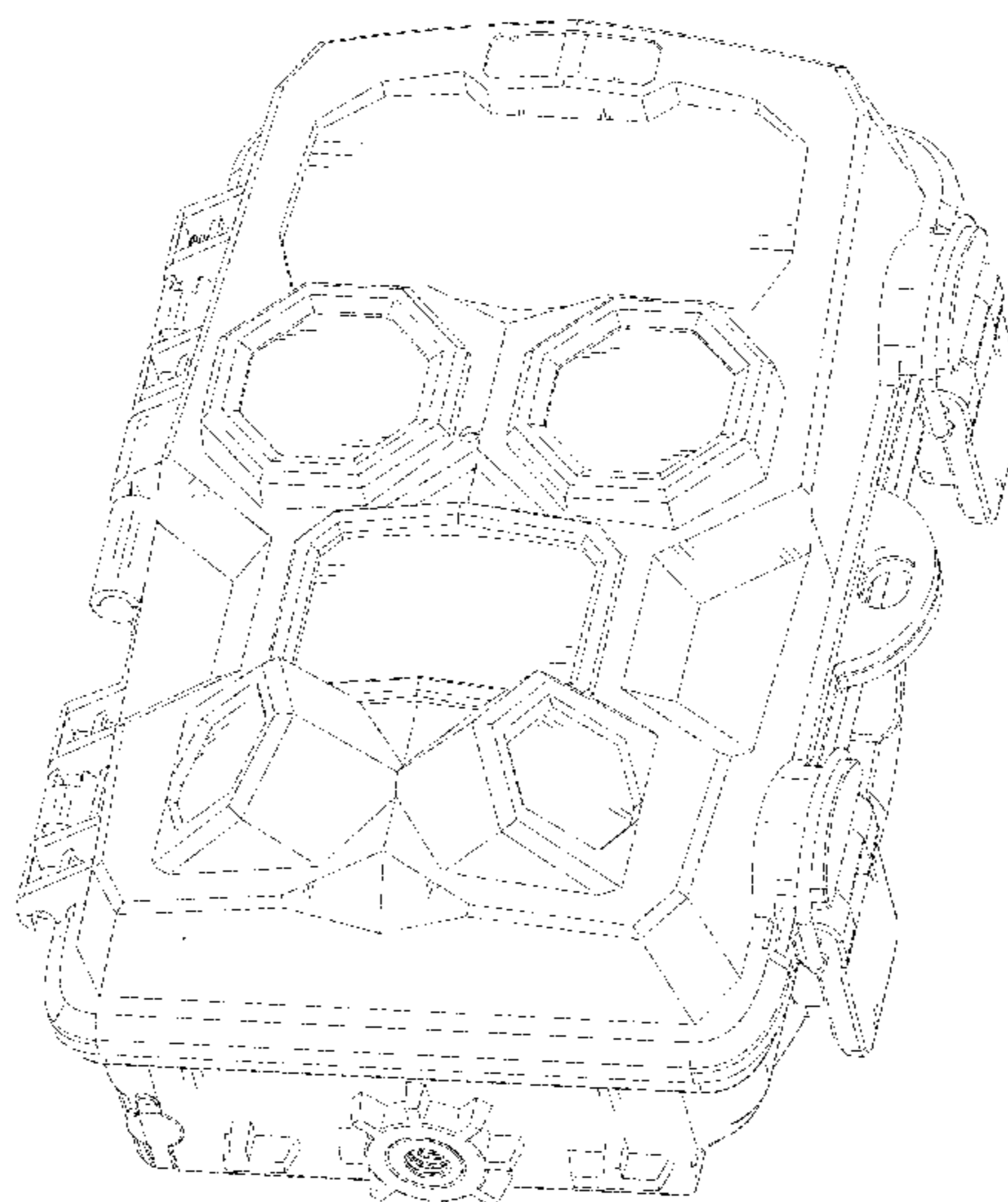
(57) **CLAIM**

The ornamental design for a camera, as shown and described.

DESCRIPTION

FIG. 1 is a perspective view of a camera showing my new design;
FIG. 2 is a front elevational view thereof;
FIG. 3 is a rear elevational view thereof;
FIG. 4 is a left side elevational view thereof;
FIG. 5 is a right side elevational view thereof;
FIG. 6 is a top plan view thereof;
FIG. 7 is a bottom plan view thereof; and,
FIG. 8 is another perspective view of the camera shown in FIG. 1.

1 Claim, 8 Drawing Sheets



(56)

References Cited

OTHER PUBLICATIONS

Google Image Search [online], [site visited Sep. 2, 2022]. Available from Internet, <URL: https://www.google.com/search?q=4k+digital+wifi+trail+cameras&rlz=1C1GCEA_enUS1001US1001&source=lnms&tbm=isch&sa=X&ved=2ahUKEwjK%E2%80%A6> (Year: 2022).*

* cited by examiner

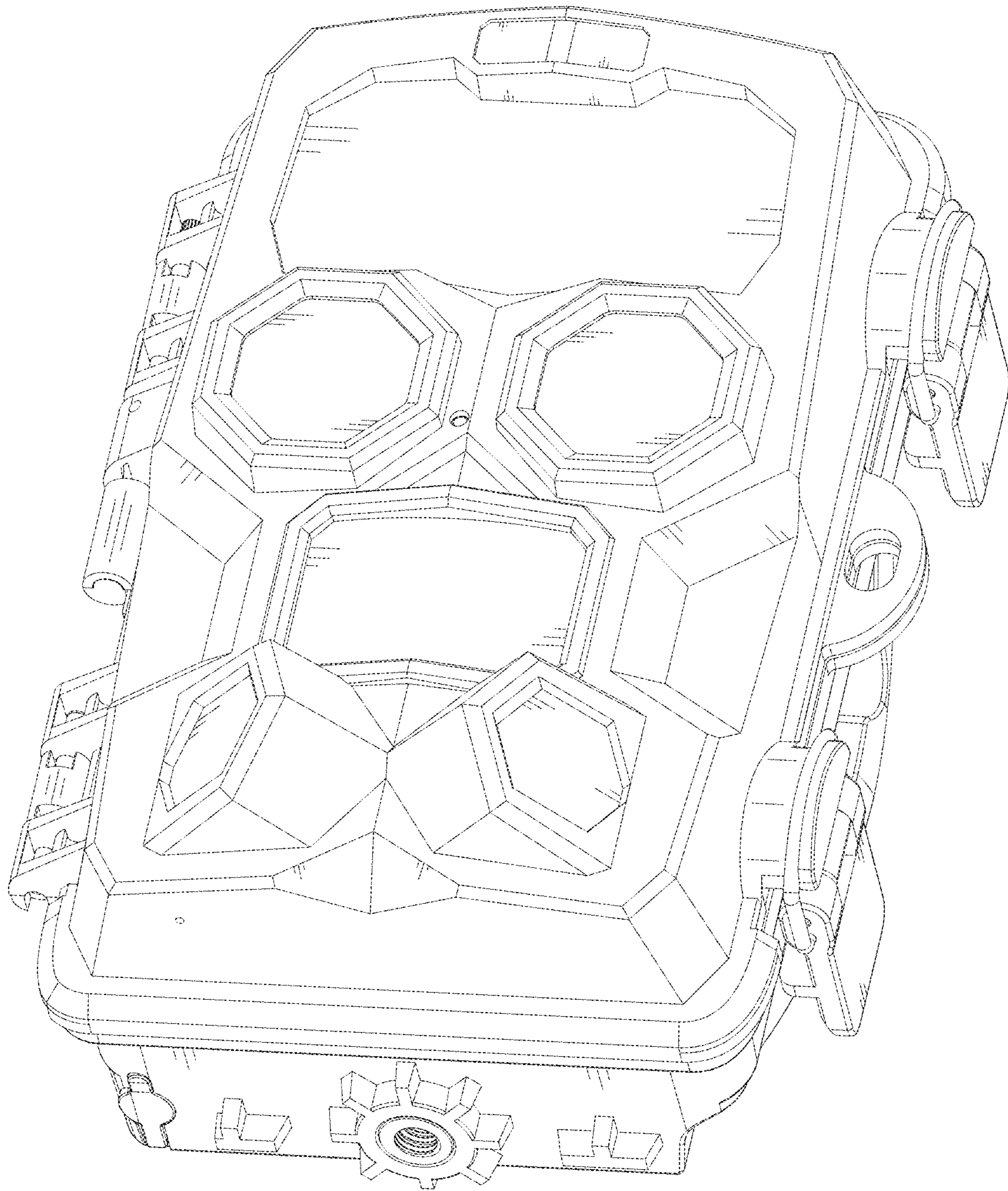


FIG. 1

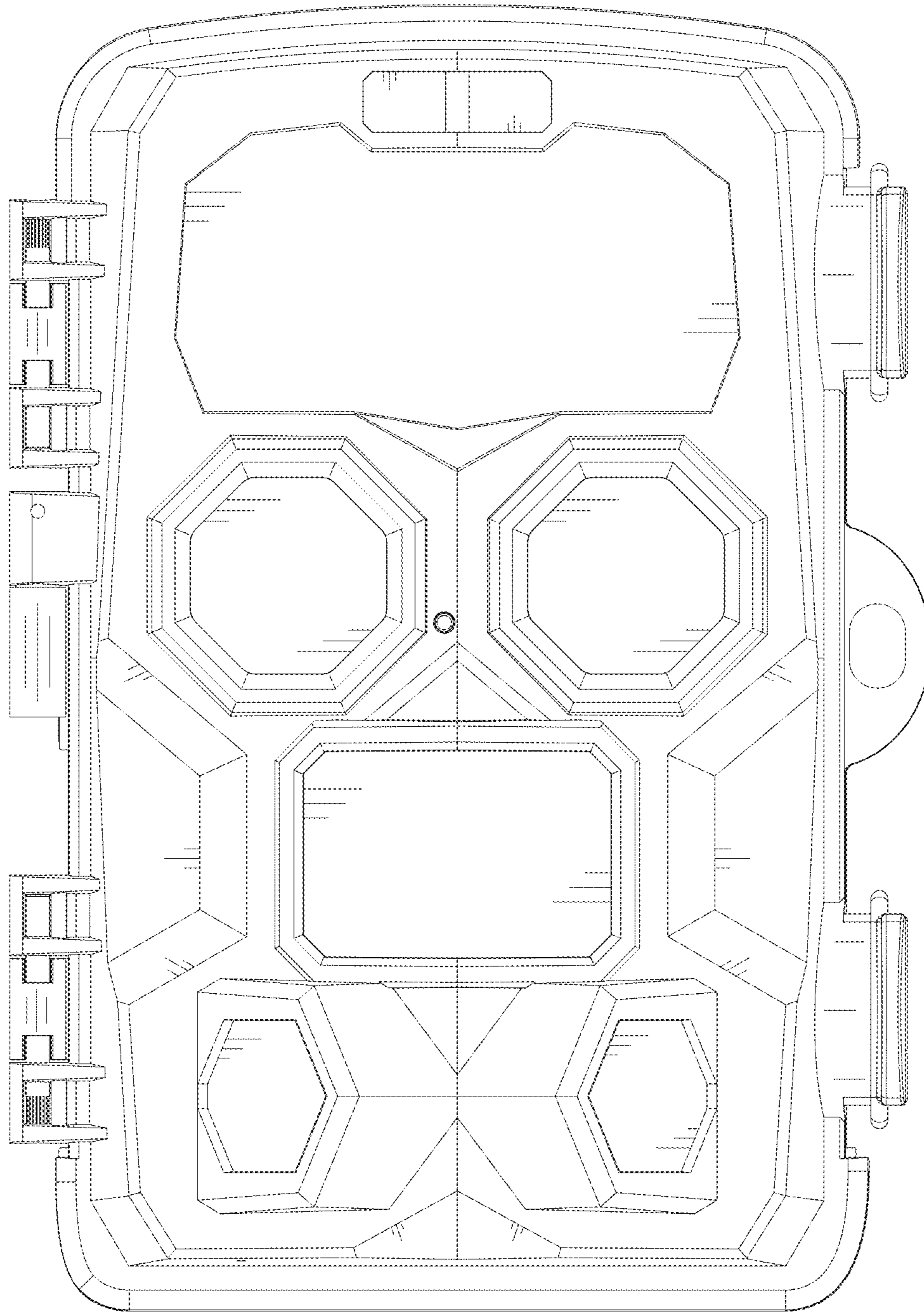


FIG. 2

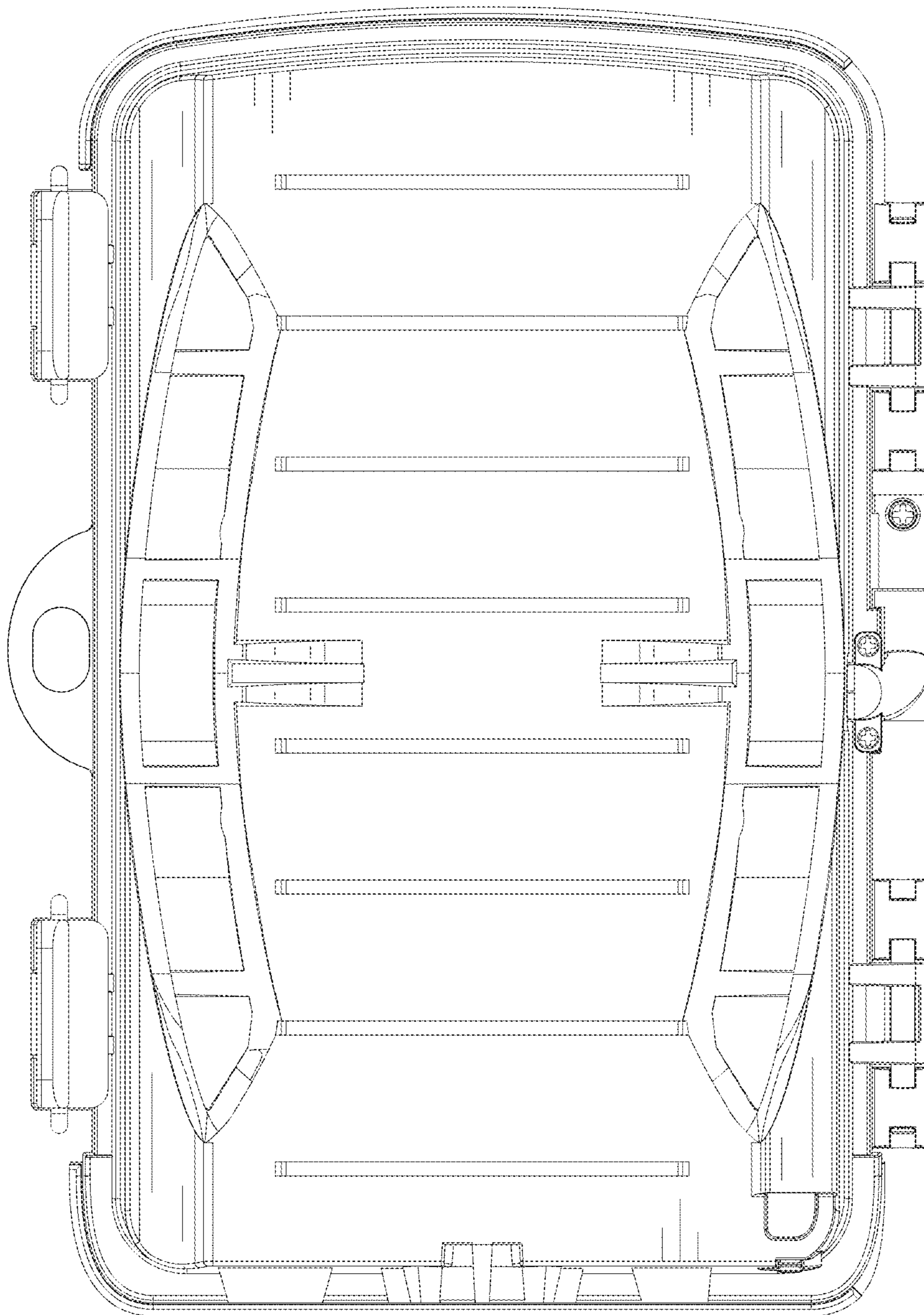


FIG. 3

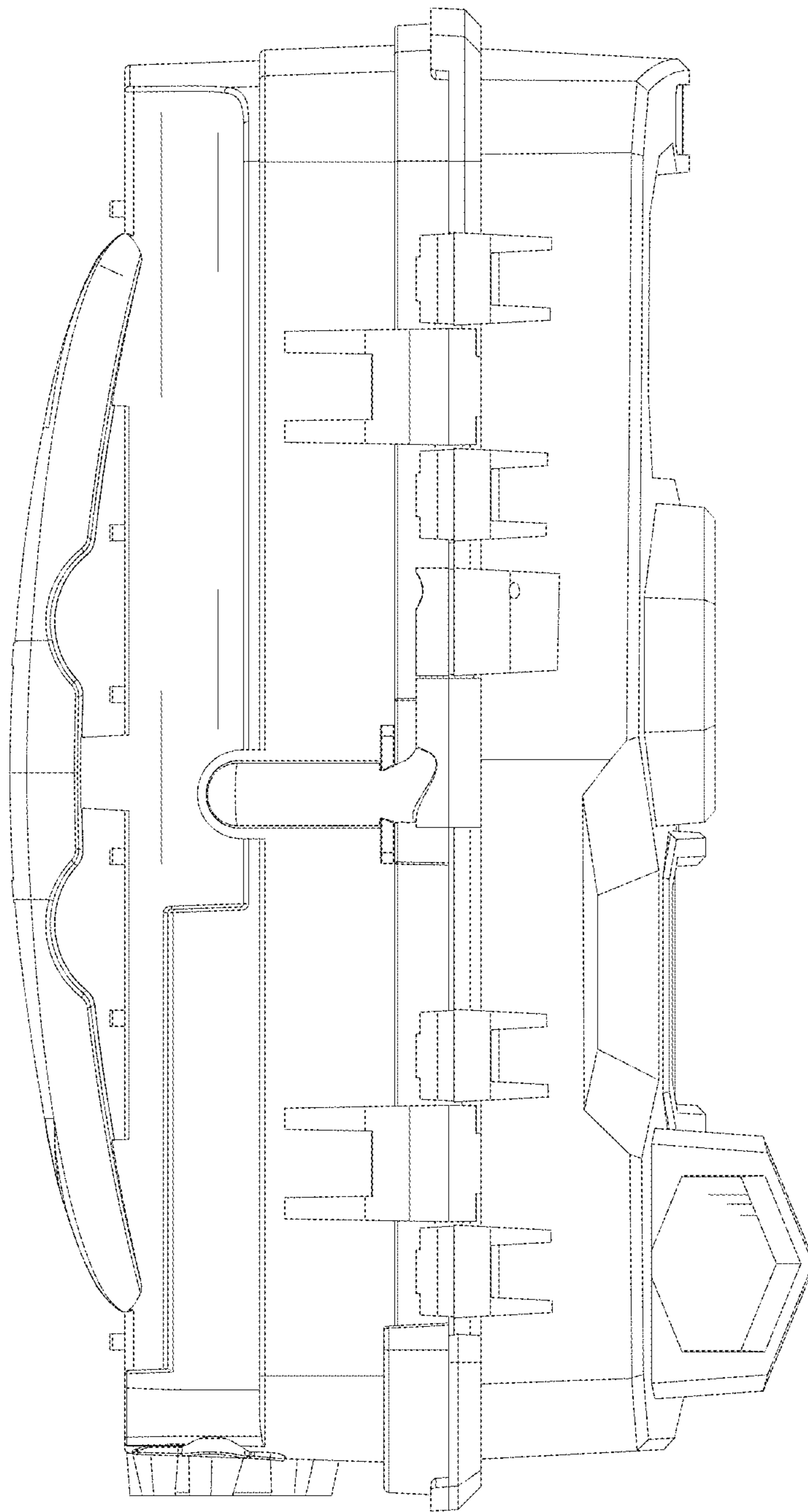


FIG. 4

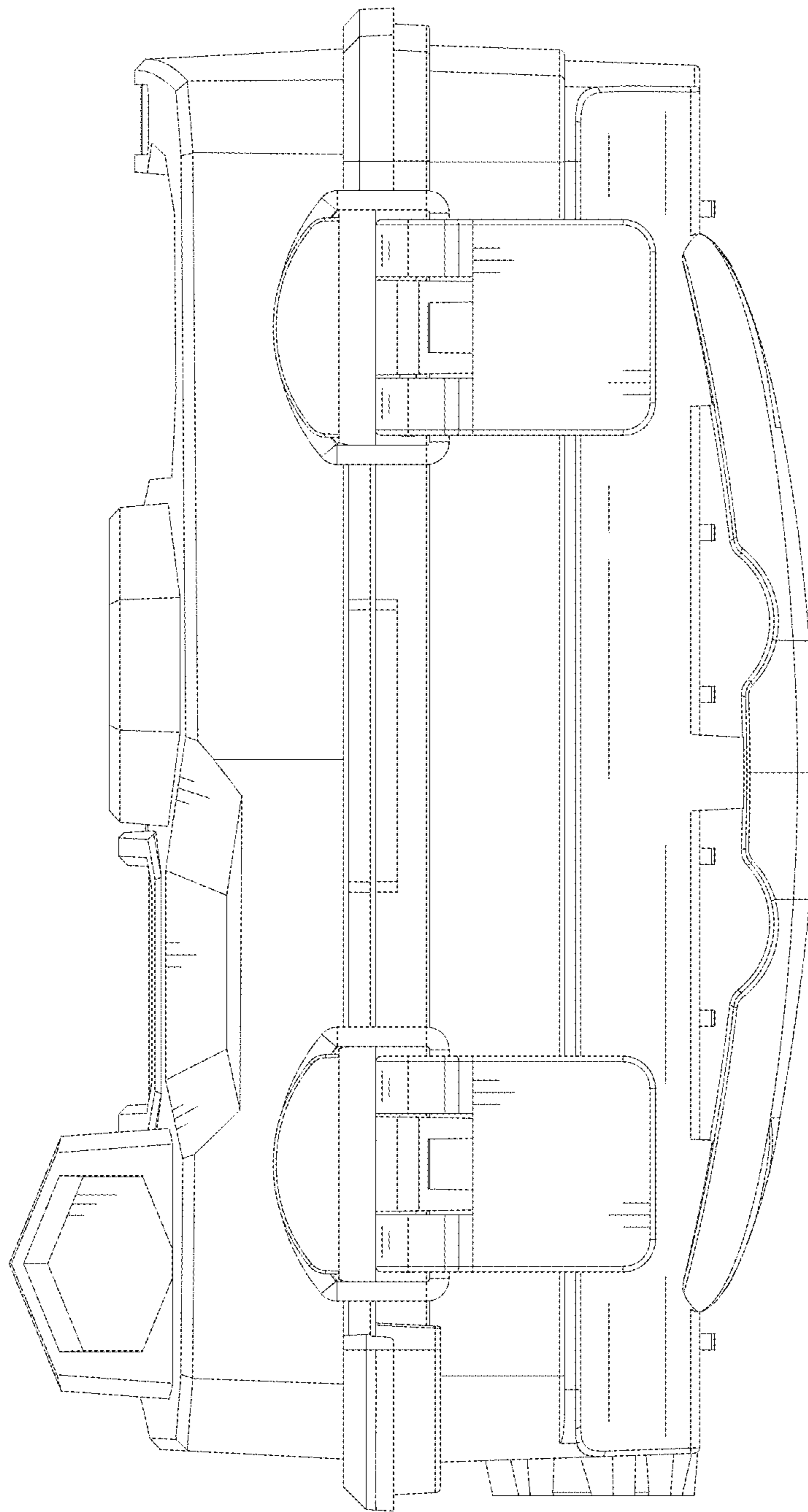


FIG. 5

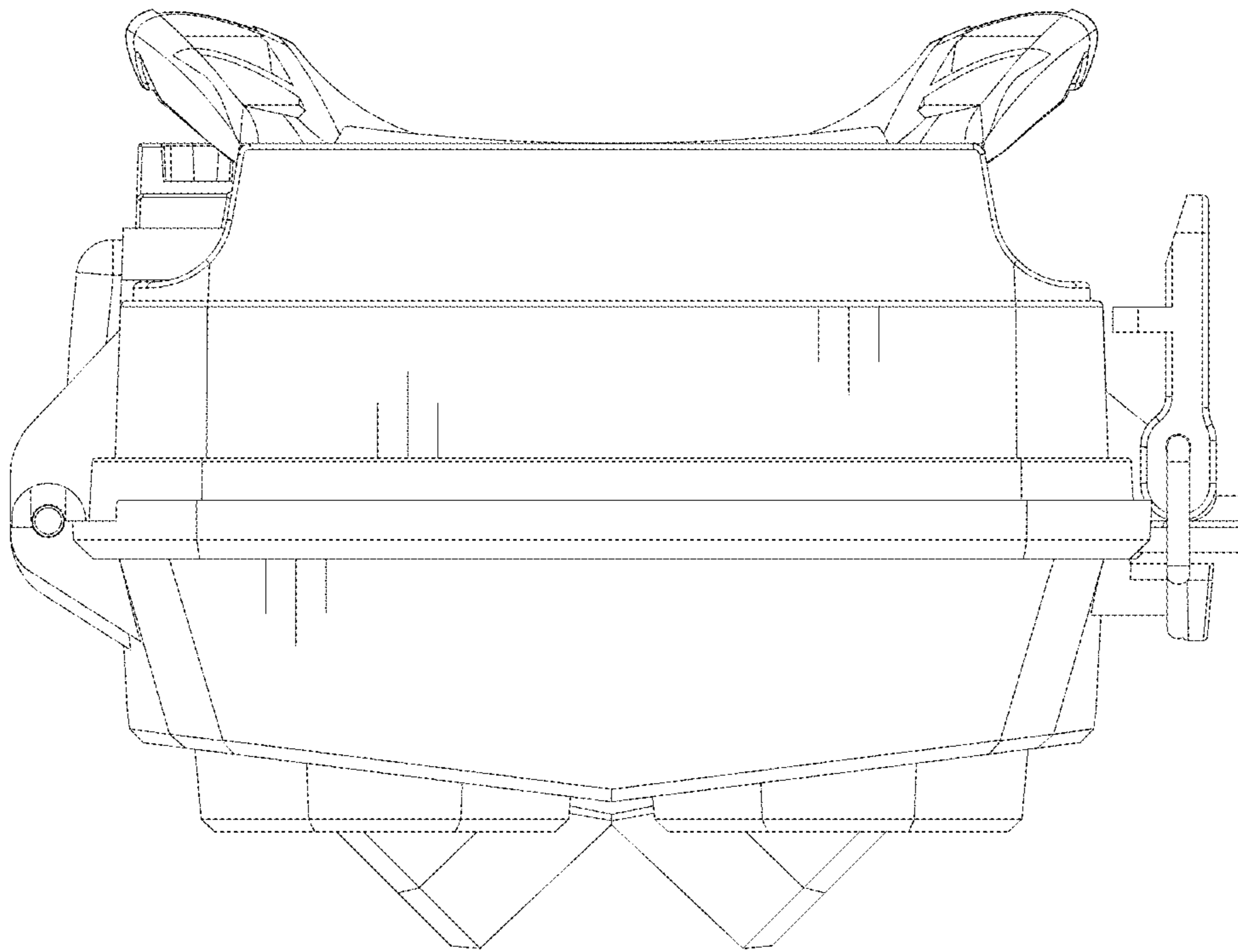


FIG. 6

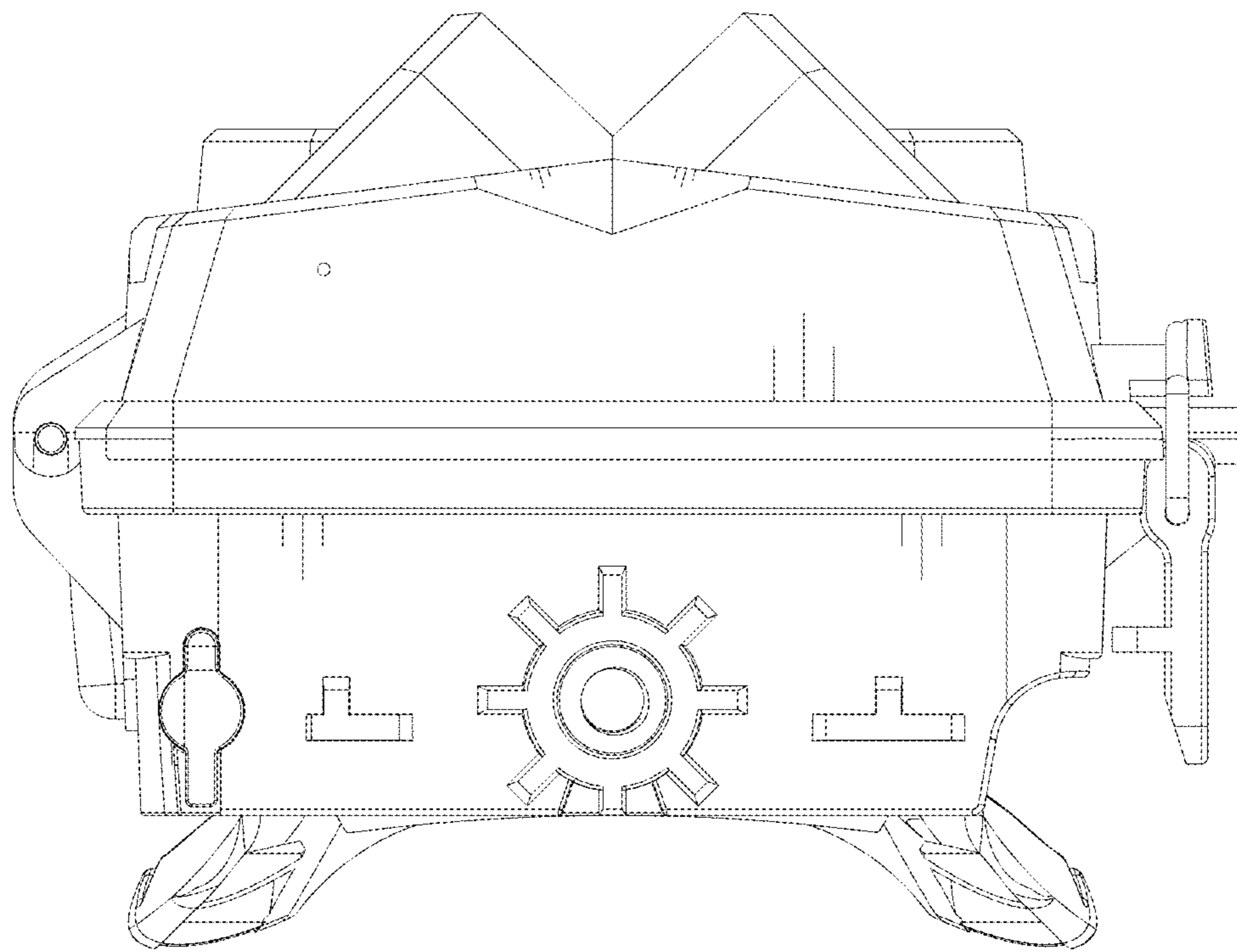


FIG. 7

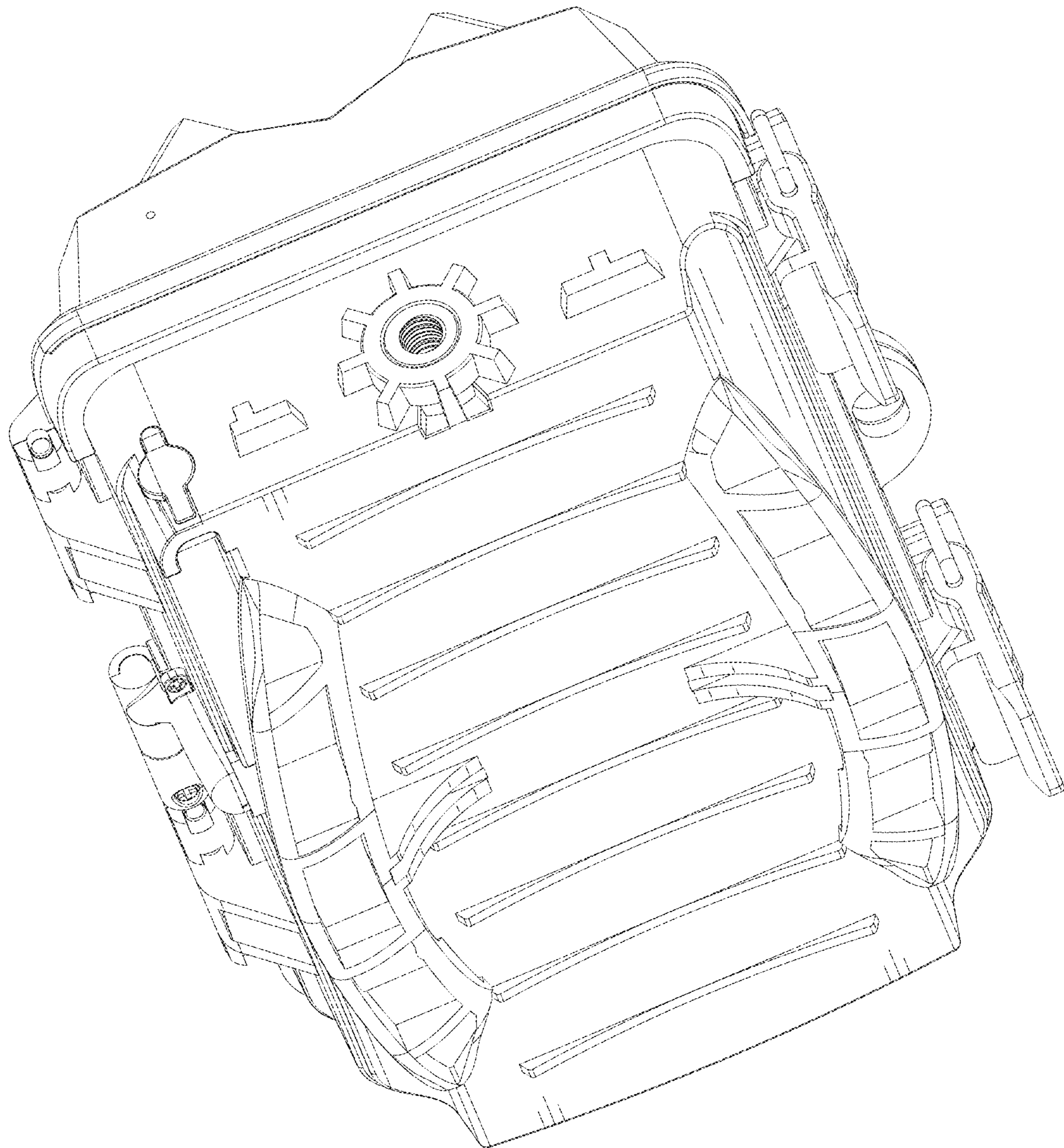


FIG. 8