



US00D979627S

(12) **United States Design Patent**
Quesnel et al.

(10) **Patent No.:** **US D979,627 S**

(45) **Date of Patent:** **** Feb. 28, 2023**

- (54) **VIDEO BORESCOPE HOUSING**
- (71) Applicant: **Baker Hughes Holdings LLC**,
Houston, TX (US)
- (72) Inventors: **Jeffrey Quesnel**, Skaneateles, NY (US);
Johanna Vrabel, Houston, TX (US)
- (73) Assignee: **Baker Hughes Holdings LLC**,
Houston, TX (US)

- 8,911,361 B2 * 12/2014 Hosaka A61B 1/0052
600/146
- 8,961,402 B2 * 2/2015 Okamoto A61B 1/00042
600/146
- 8,970,934 B2 * 3/2015 Yang H04N 7/183
359/240
- D727,756 S * 4/2015 Stancato D10/104.1
- 9,186,048 B2 * 11/2015 Bueno A61B 1/00167
- 9,736,342 B2 * 8/2017 Mueckl A61B 1/0052
- D828,862 S * 9/2018 Fang D24/138
- D922,574 S * 6/2021 Wang D24/138
- D936,827 S * 11/2021 Wang D24/138

(**) Term: **15 Years**

* cited by examiner

(21) Appl. No.: **29/774,312**

Primary Examiner — Antoine Duval Davis

(22) Filed: **Mar. 16, 2021**

(74) *Attorney, Agent, or Firm* — Mintz Levin Cohn Ferris
Glovsky and Popeo, PC

(51) **LOC (14) Cl.** **16-99**

(52) **U.S. Cl.**
USPC **D16/130**; D10/78; D10/104.1; D24/138

(57) **CLAIM**

(58) **Field of Classification Search**
USPC D10/78, 104.1; D16/130; D24/138
CPC G02B 23/16; G02B 23/24; G02B 23/2476;
G02B 23/26

The ornamental design for video borescope housing, as shown and described.

See application file for complete search history.

DESCRIPTION

(56) **References Cited**

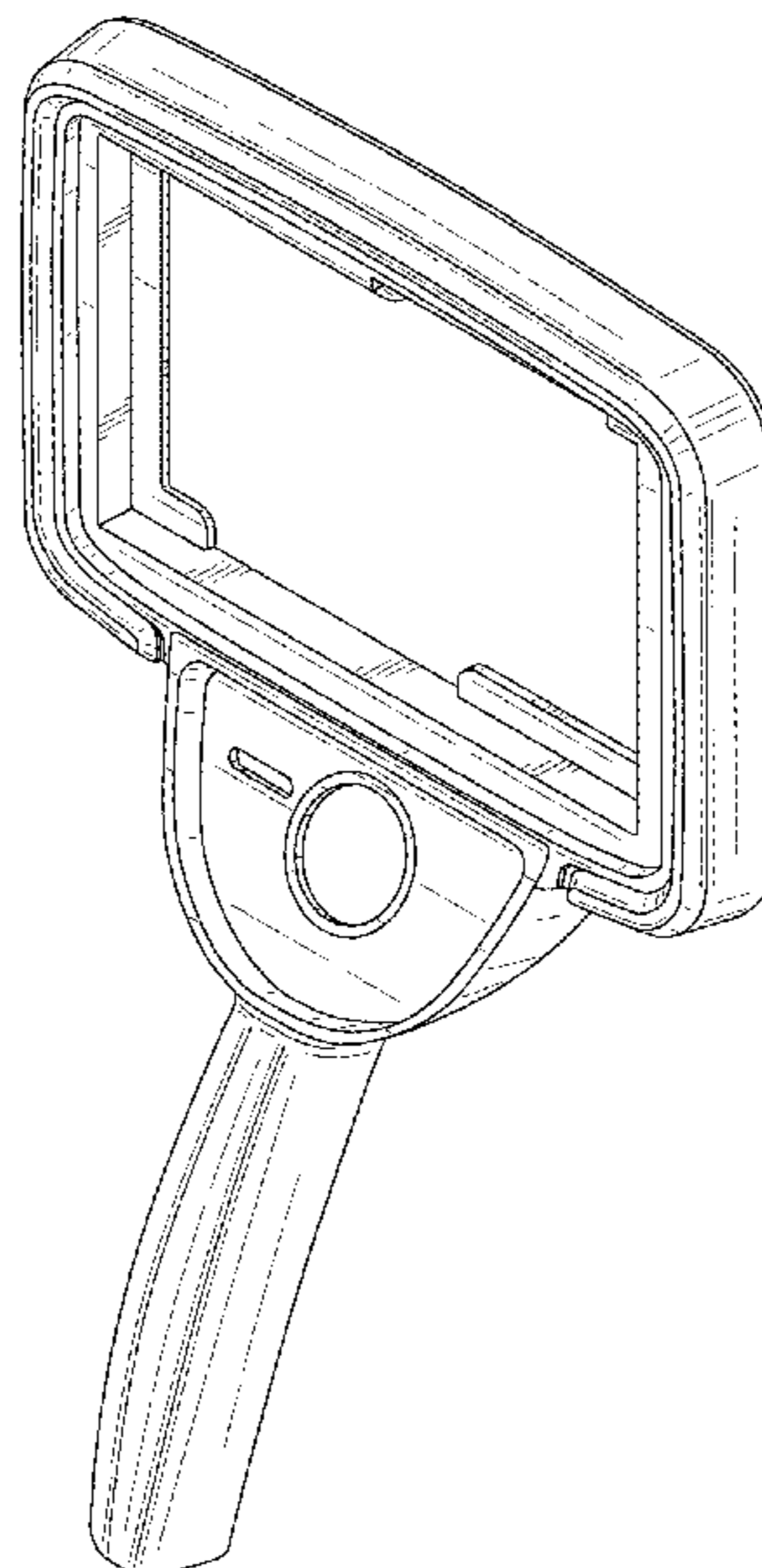
U.S. PATENT DOCUMENTS

- D358,471 S * 5/1995 Cope A61B 1/0052
D24/138
- D594,361 S * 6/2009 Miller A61B 1/00167
D10/104.1
- 7,581,988 B2 * 9/2009 Boehnlein A61B 1/00052
439/585
- D613,863 S * 4/2010 Chen A61B 1/00042
D10/104.1
- 8,118,733 B2 * 2/2012 Scott G02B 23/2476
348/182
- 8,269,829 B2 * 9/2012 Miller H05K 1/189
600/110
- 8,900,132 B2 * 12/2014 Ishigami A61B 1/00042
600/172

FIG. 1 is an isometric view of a video borescope housing for holding a display screen;
 FIG. 2 is a front view of the video borescope housing of FIG. 1;
 FIG. 3 is a rear view of the video borescope housing of FIG. 1;
 FIG. 4 is a left view of the video borescope housing of FIG. 1;
 FIG. 5 is a right view of the video borescope housing of FIG. 1; and,
 FIG. 6 is a top view of the video borescope housing of FIG. 1.

Where applicable, elements are shown in broken lines herein for illustrative purposes only, and form no part of the claimed design.

1 Claim, 6 Drawing Sheets



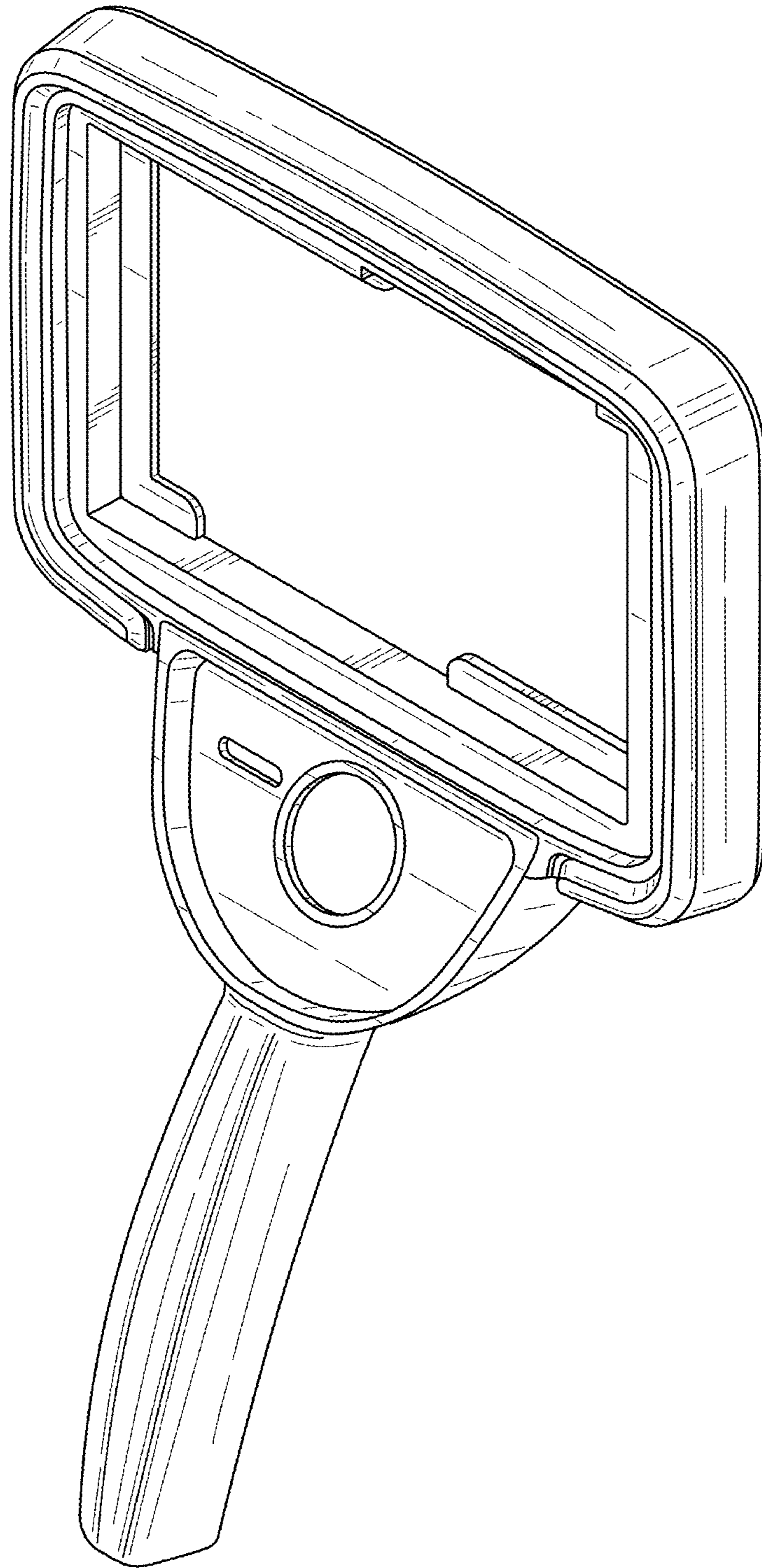


FIG. 1

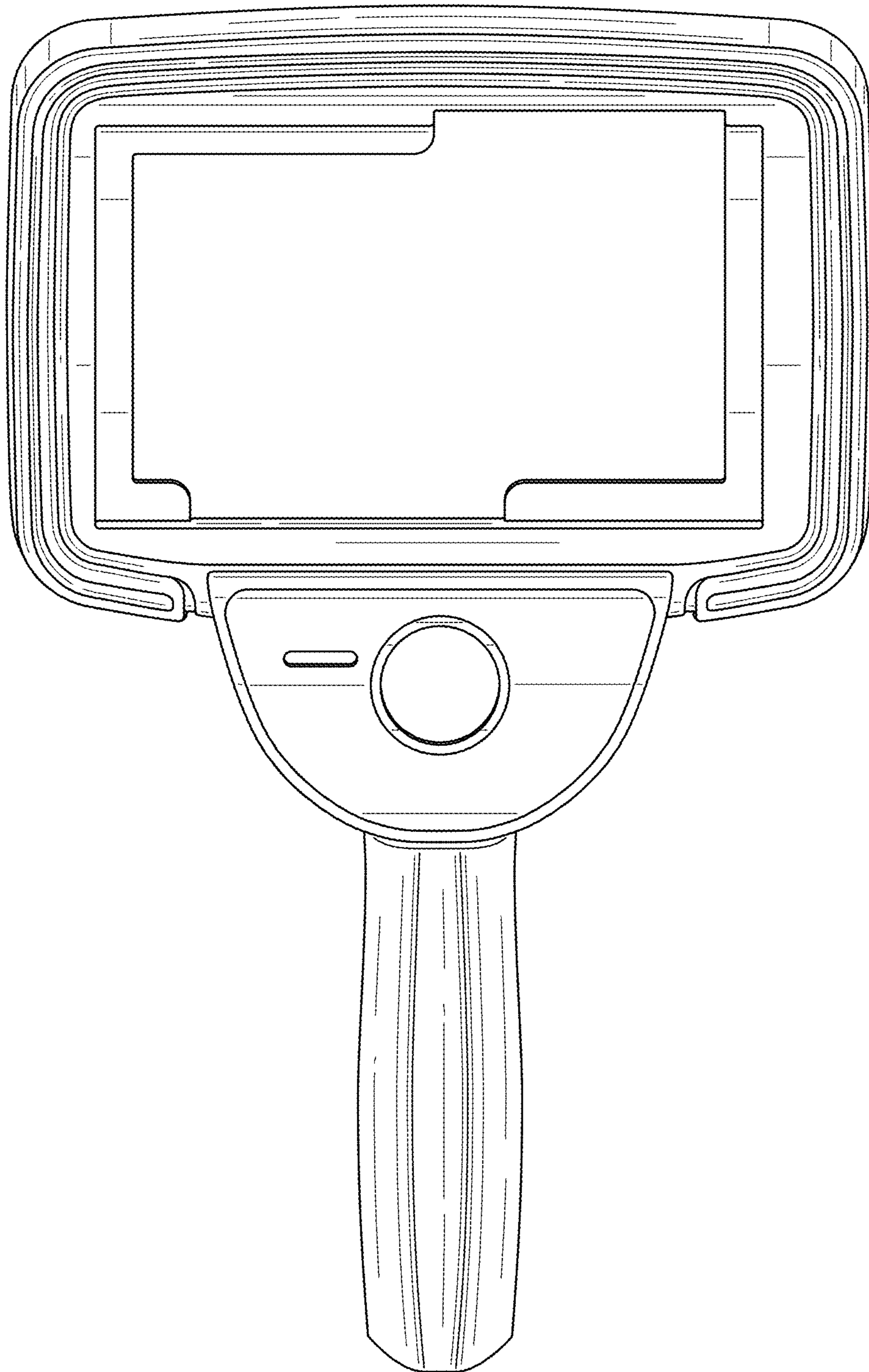


FIG. 2

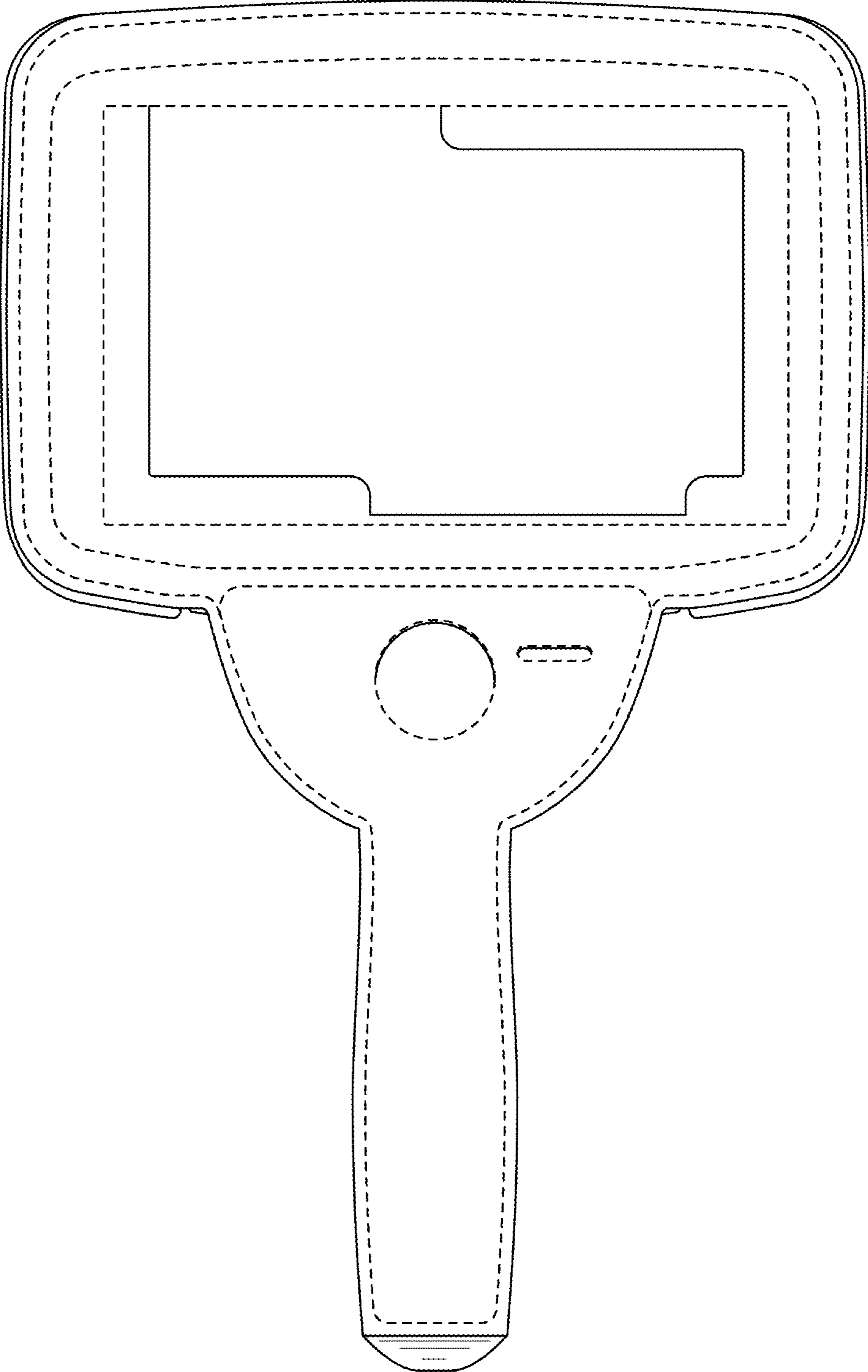


FIG. 3

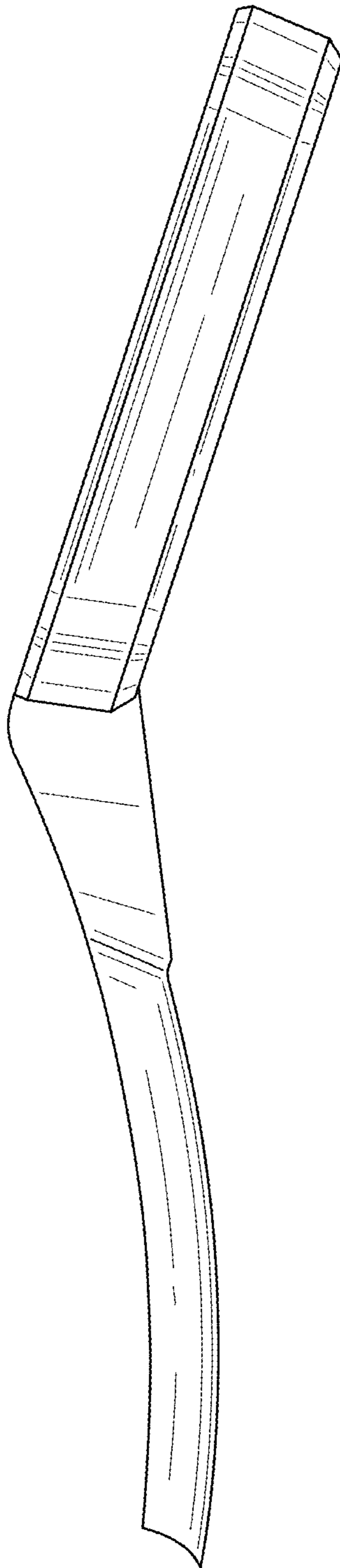


FIG. 4

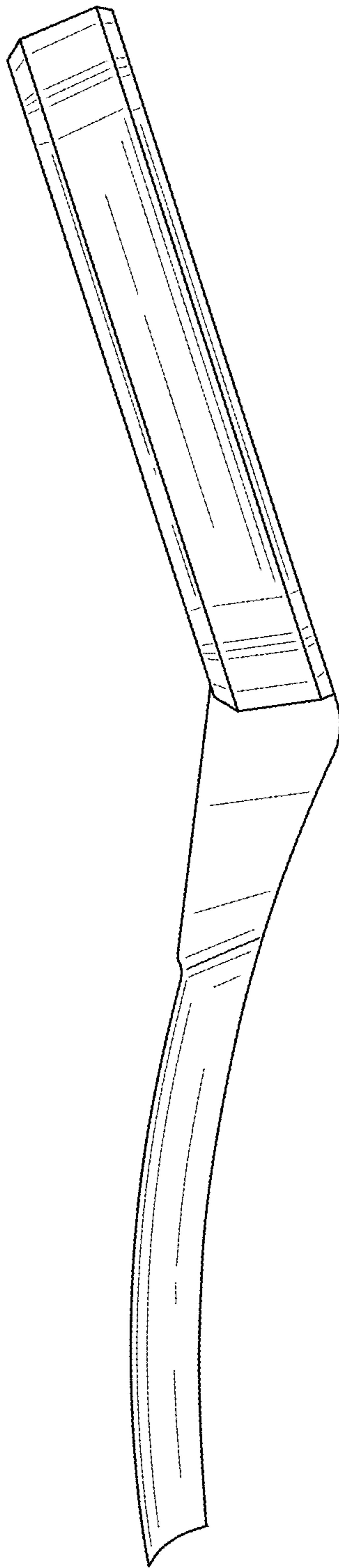


FIG. 5

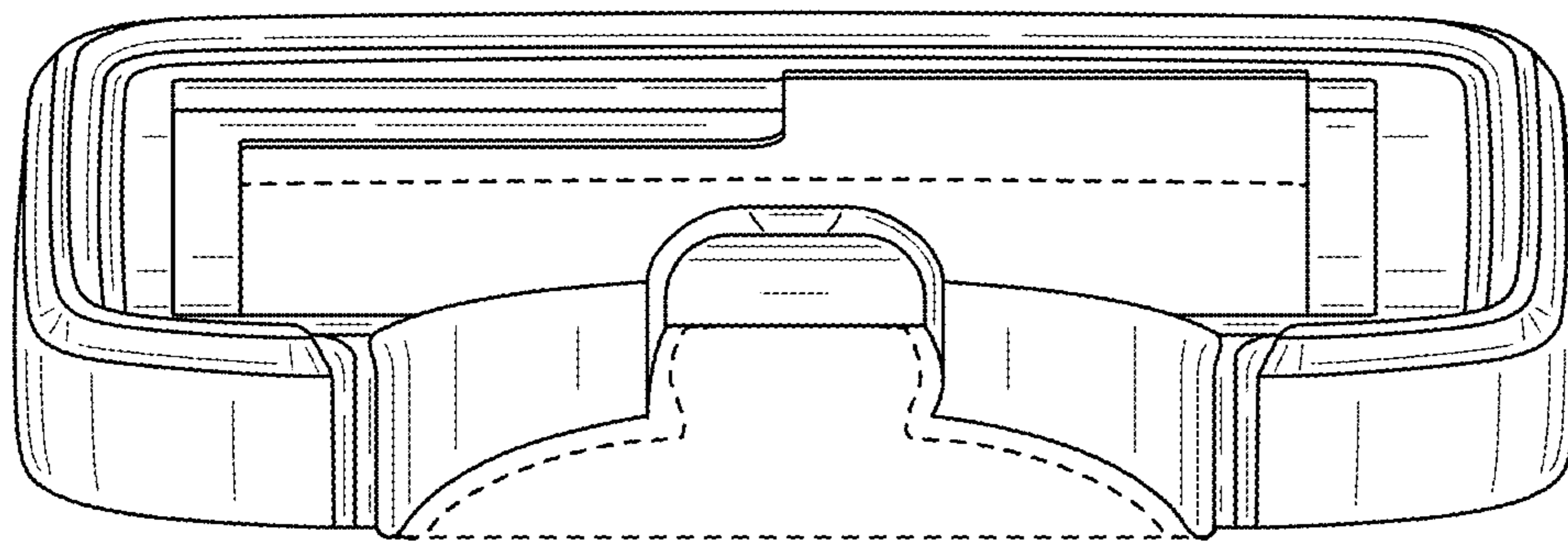


FIG. 6