

US00D979625S

(12) **United States Design Patent** (10) **Patent No.:** **US D979,625 S**
Nakayama et al. (45) **Date of Patent:** **** Feb. 28, 2023**

(54) **VIRTUAL MOBILITY ROBOT**

(71) Applicant: **TOYOTA JIDOSHA KABUSHIKI KAISHA**, Toyota (JP)

(72) Inventors: **Takahiro Nakayama**, Tokyo (JP);
Yusuke Kida, Tokyo (JP)

(73) Assignee: **TOYOTA JIDOSHA KABUSHIKI KAISHA**, Toyota (JP)

(**) Term: **15 Years**

(21) Appl. No.: **29/805,843**

(22) Filed: **Aug. 31, 2021**

(30) **Foreign Application Priority Data**

Mar. 31, 2021 (JP) 2021-006718 D

(51) **LOC (14) Cl.** **15-99**

(52) **U.S. Cl.**
USPC **D15/199; D34/34**

(58) **Field of Classification Search**
USPC D15/199; D21/578-583, 621, 622;
D32/21; D34/34
CPC B23K 9/133; B23K 9/287; B25J 9/0018;
B25J 19/0025; Y10T 74/20; Y10T
74/20207; Y10T 74/20311; Y10T
74/20305; Y10S 901/01

See application file for complete search history.

(56) **References Cited**

U.S. PATENT DOCUMENTS

D675,656 S * 2/2013 Sutherland D15/199
D735,258 S * 7/2015 Jang D15/199
9,323,250 B2 * 4/2016 Wang B25J 11/009
9,776,327 B2 * 10/2017 Pinter G16H 40/67
D841,067 S * 2/2019 Camporesi D15/199
D849,813 S * 5/2019 Sutherland D21/578
D857,073 S * 8/2019 Gayne D15/199

D870,787 S * 12/2019 Kim D15/199
D881,961 S * 4/2020 Bergeron D15/199
D908,151 S * 1/2021 Song D15/199
D913,349 S * 3/2021 Yao D15/199
D915,486 S 4/2021 Gidwell
D917,592 S * 4/2021 Mei D15/199
D921,080 S * 6/2021 Chen D15/199
D931,921 S * 9/2021 Haddadin D15/199
D937,920 S * 12/2021 Gidwell D15/199
D945,507 S * 3/2022 Kremesec D15/199
D963,013 S * 9/2022 Urruth Kemmerich D15/199
D966,375 S * 10/2022 Huang D15/199
D968,492 S * 11/2022 Urruth Kemmerich D15/199
2011/0288684 A1 * 11/2011 Farlow B25J 19/023
901/1
2015/0073589 A1 * 3/2015 Khodl B65G 1/1375
700/218

FOREIGN PATENT DOCUMENTS

JP D1655898 S 3/2020

* cited by examiner

Primary Examiner — Patricia A Palasik

(57) **CLAIM**

The ornamental design for a virtual mobility robot, as shown and described.

DESCRIPTION

FIG. 1 is a front perspective view of a virtual mobility robot showing our new design;
FIG. 2 is a rear perspective view thereof;
FIG. 3 is a front view thereof;
FIG. 4 is a rear view thereof;
FIG. 5 is a top plan view thereof;
FIG. 6 is a bottom plan view thereof;
FIG. 7 is a right side view thereof; and,
FIG. 8 is a left side view thereof.
The broken lines illustrate portions of the virtual mobility robot that form no part of the claimed design.

1 Claim, 8 Drawing Sheets

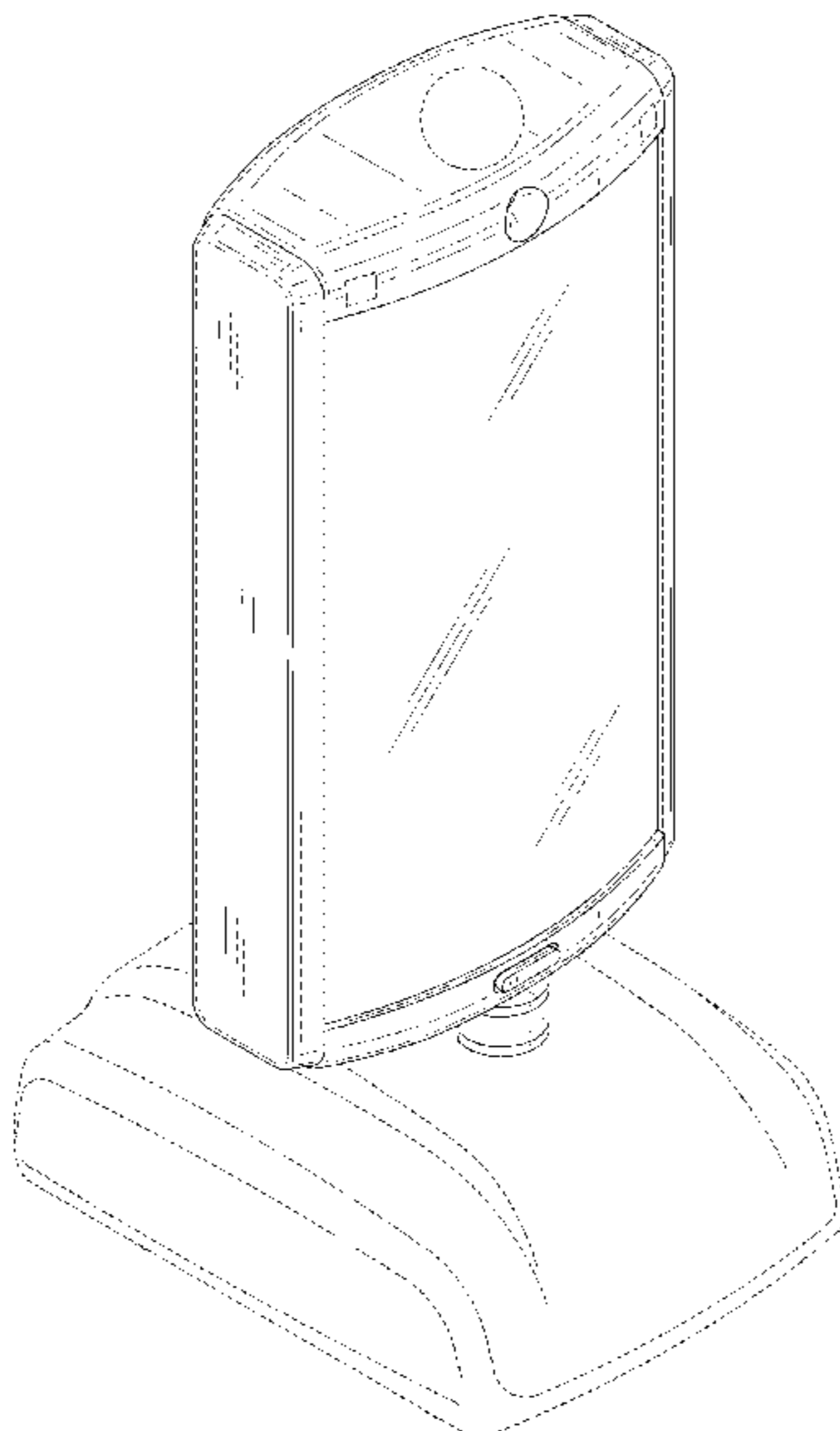


FIG.1

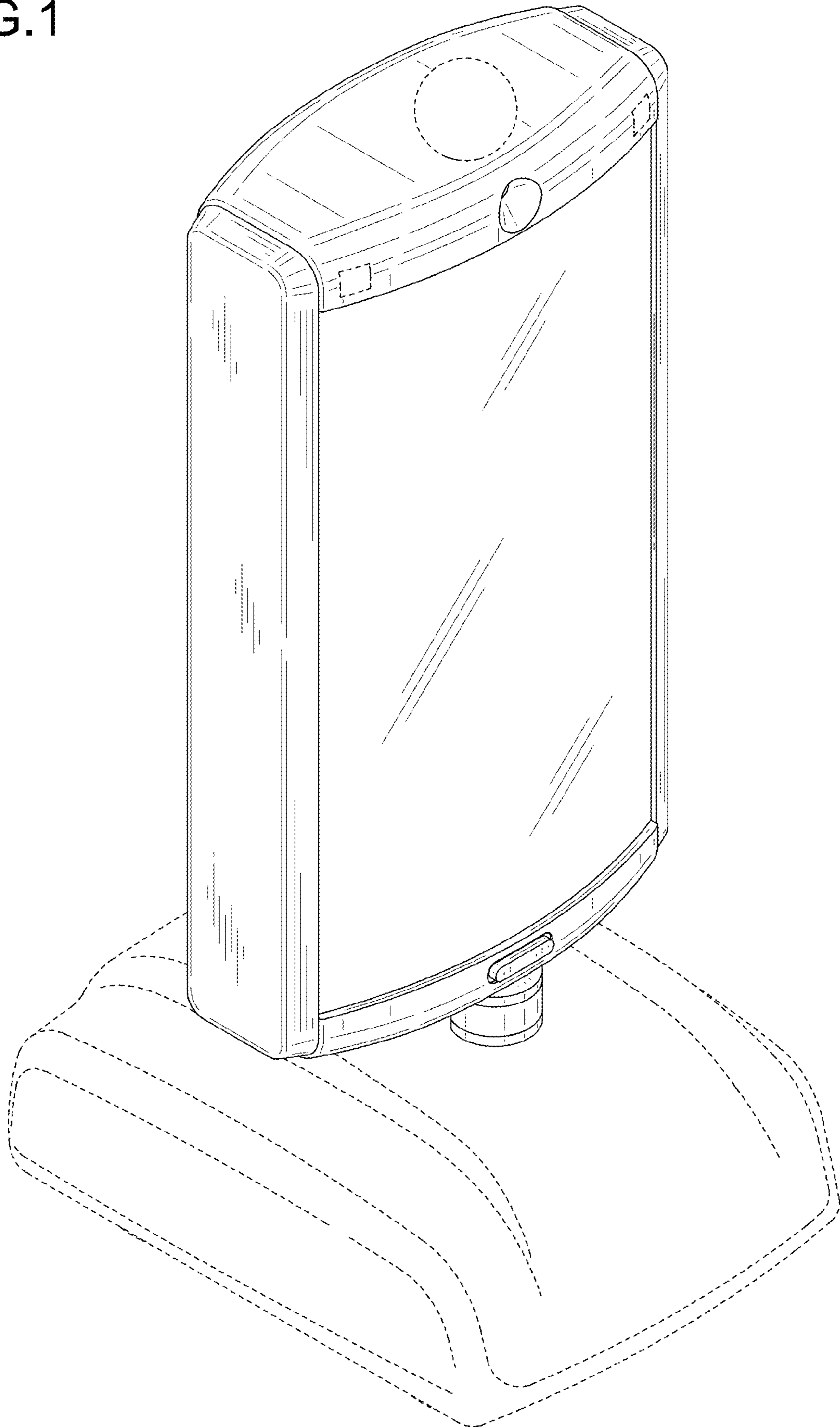


FIG.2

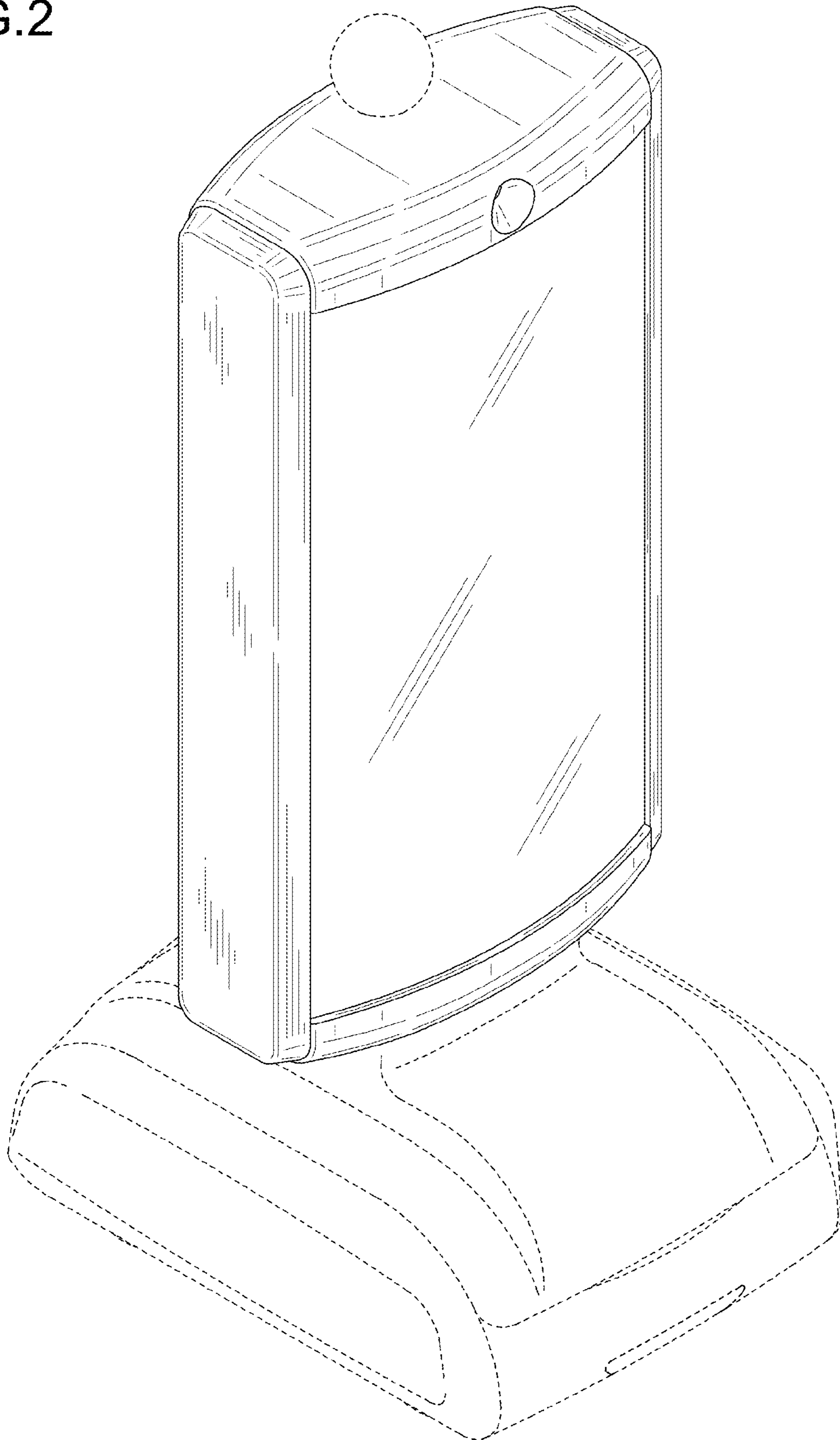


FIG.3

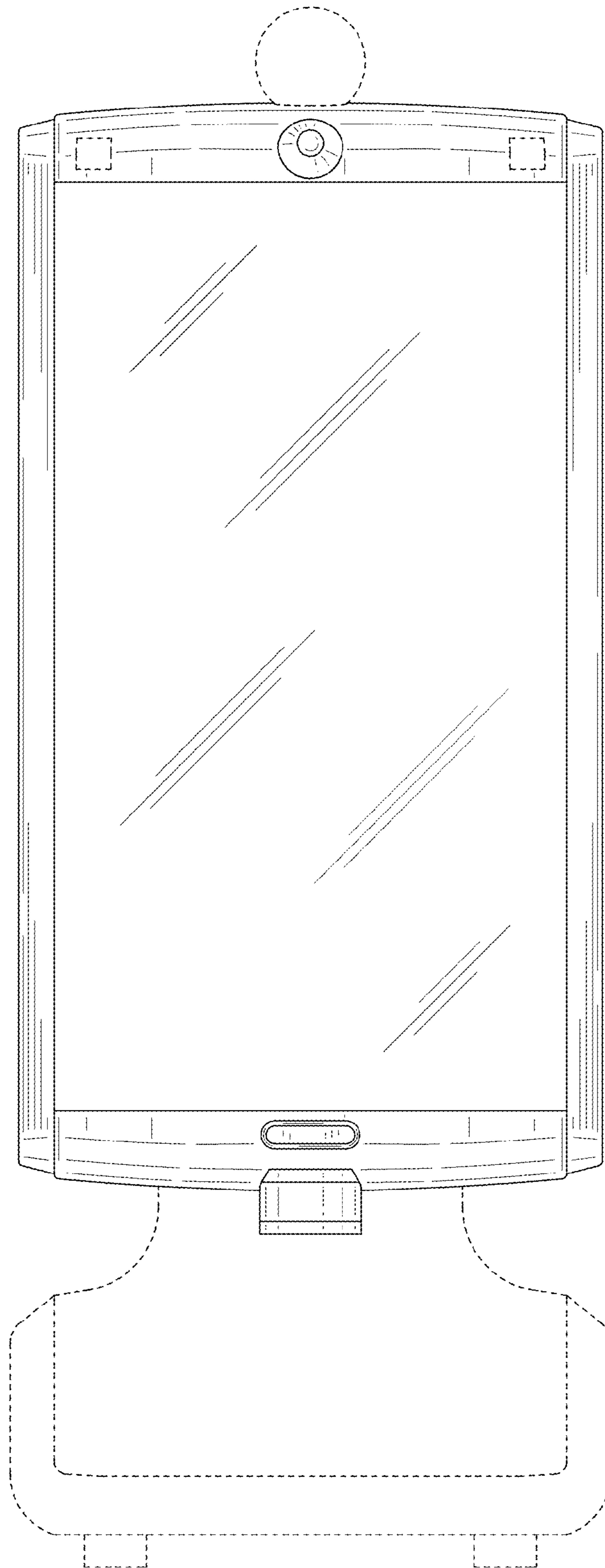


FIG.4

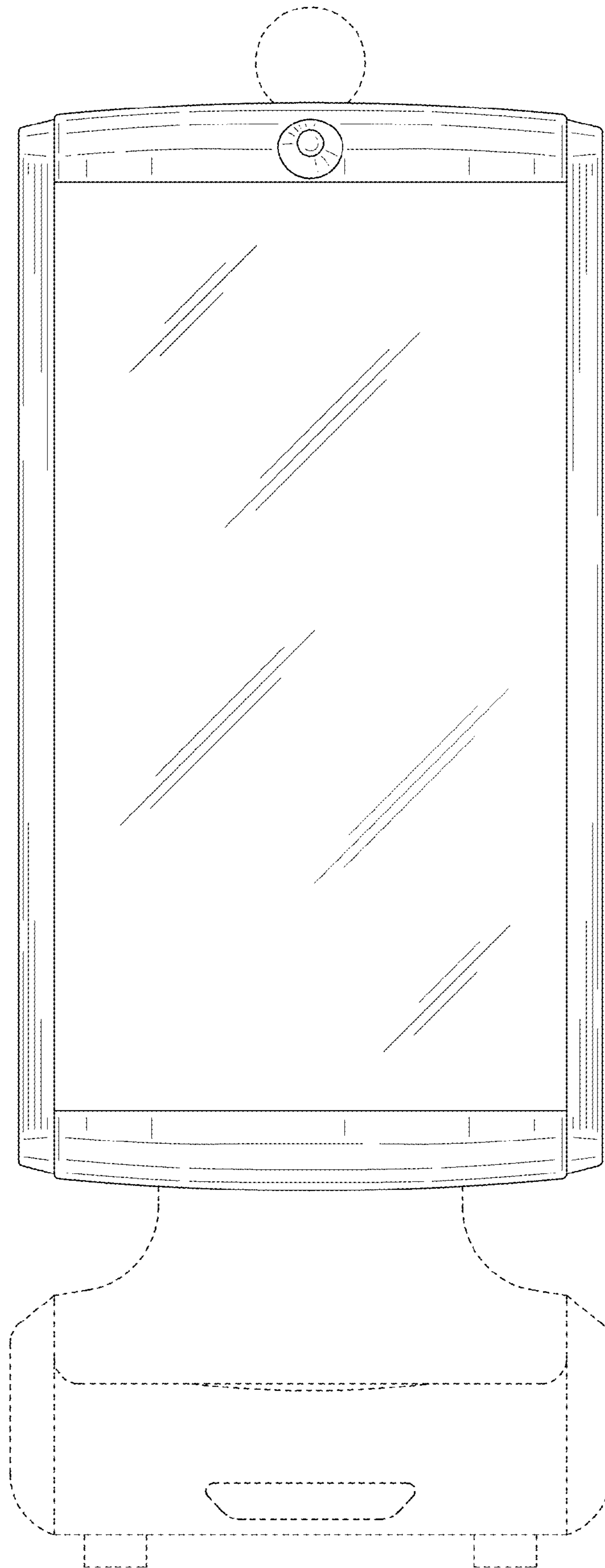


FIG.5

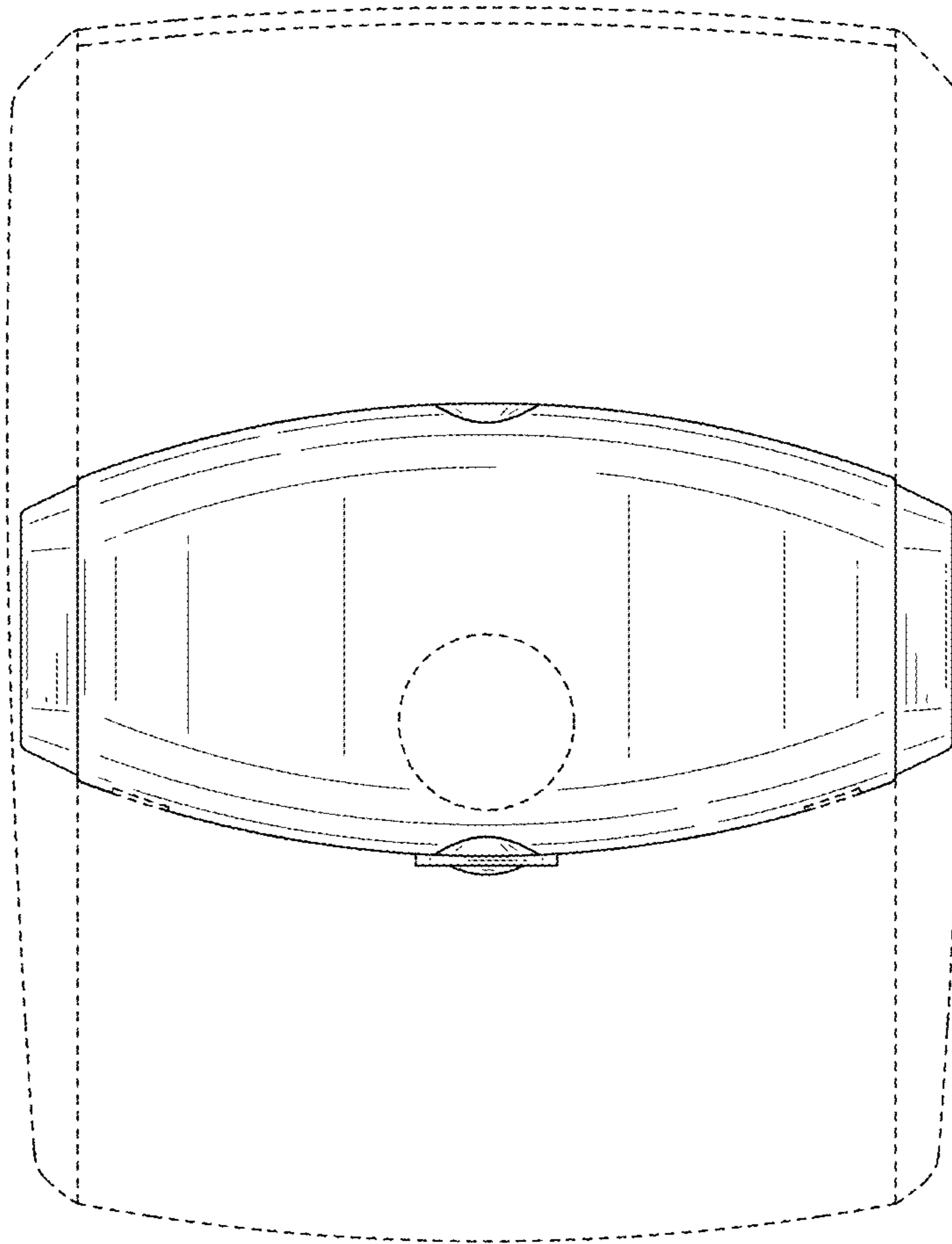


FIG.6

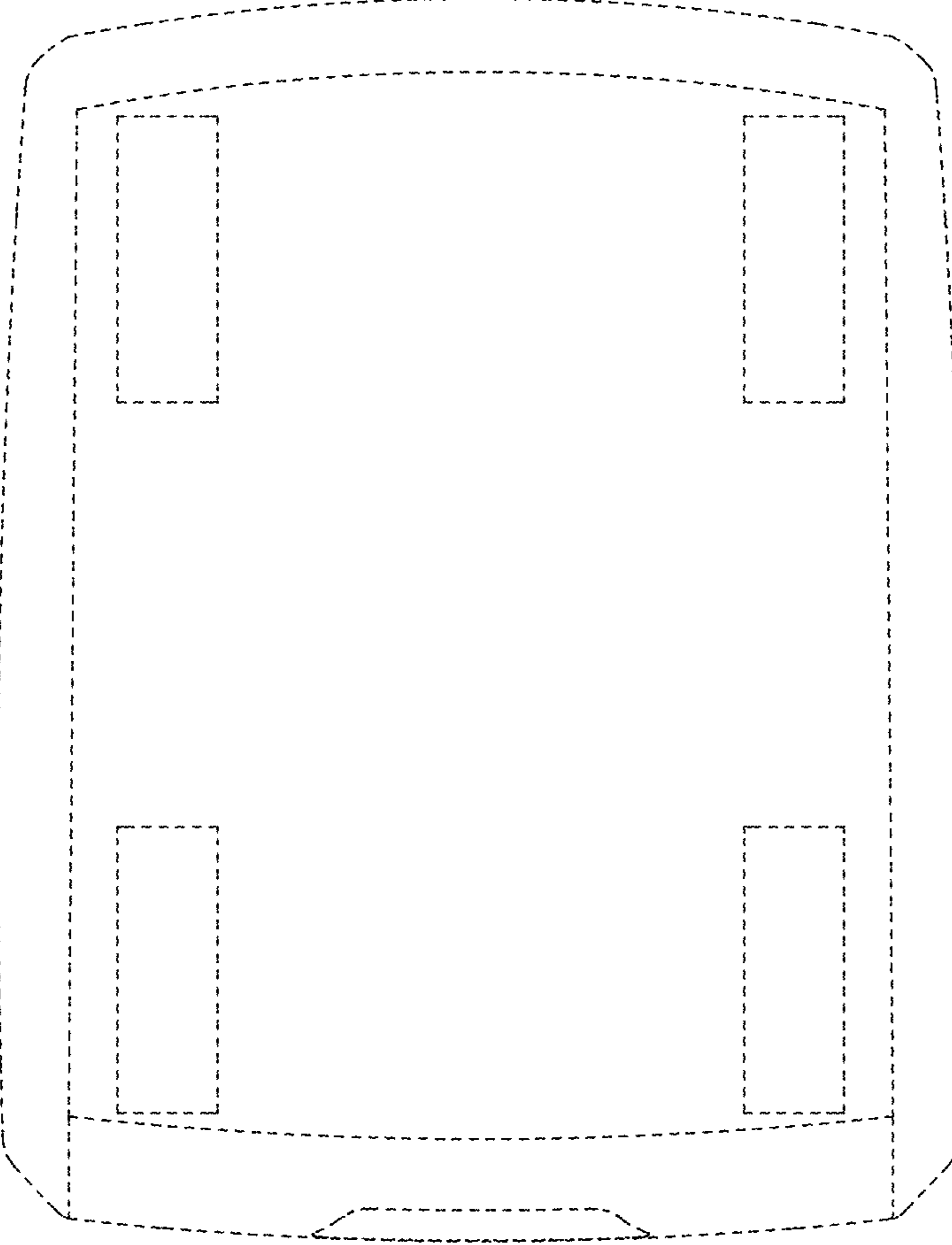


FIG.7

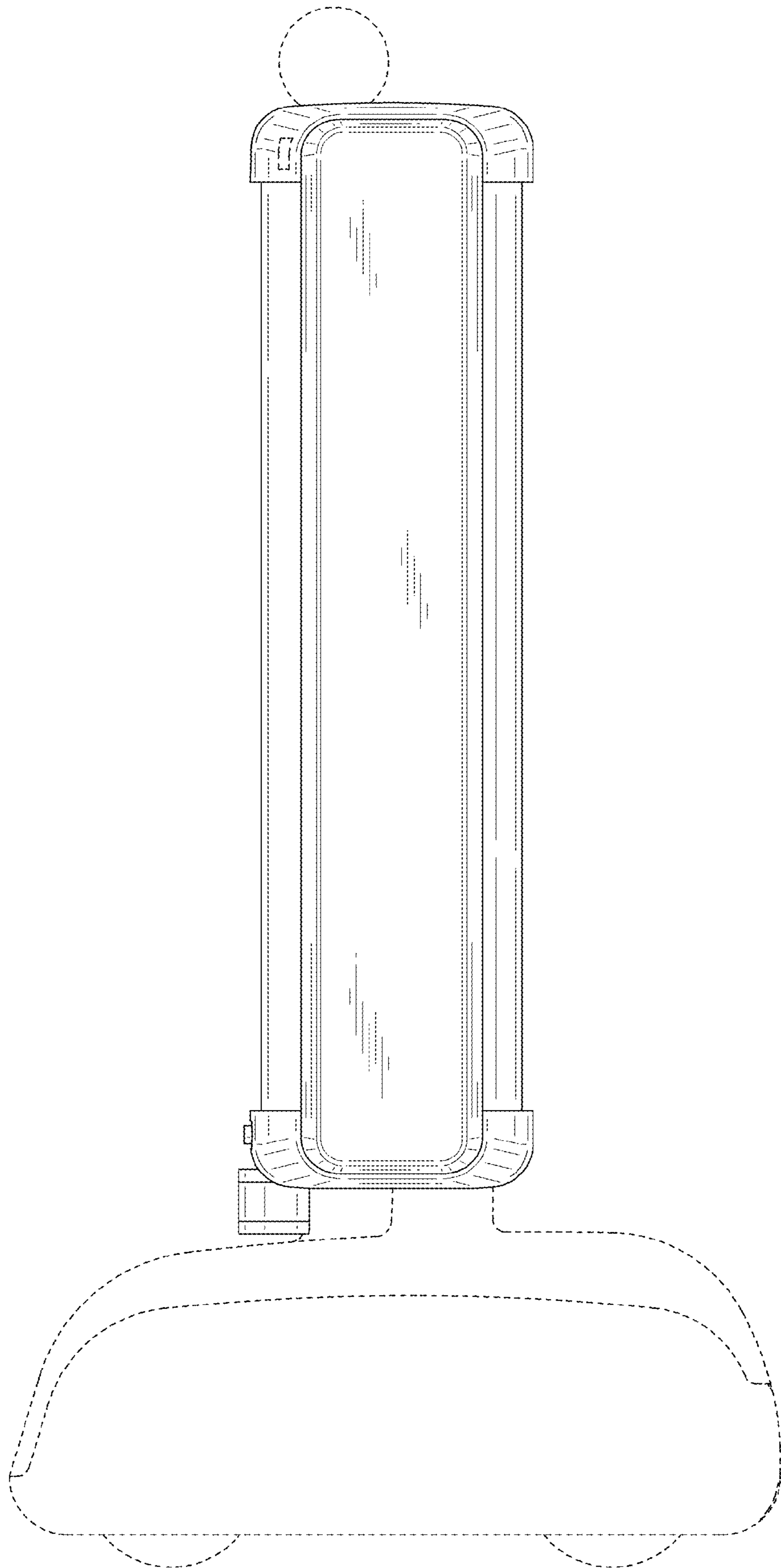


FIG.8

