

US00D979624S

(12) **United States Design Patent** (10) **Patent No.:** **US D979,624 S**
Kwon et al. (45) **Date of Patent:** **** Feb. 28, 2023**

(54) **INDUSTRIAL ROBOT**

(71) Applicant: **HANWHA CORPORATION**, Seoul (KR)

(72) Inventors: **Sung Jin Kwon**, Seongnam-si (KR);
Kang Wook Lee, Seongnam-si (KR);
Jae Dong Kim, Seongnam-si (KR);
Kang Gyun Kim, Seongnam-si (KR)

(73) Assignee: **HANWHA CORPORATION**, Seoul (KR)

(**) Term: **15 Years**

(21) Appl. No.: **29/800,261**

(22) Filed: **Jul. 20, 2021**

(30) **Foreign Application Priority Data**

May 21, 2021 (KR) 30-2021-0024203

(51) **LOC (14) Cl.** **15-99**

(52) **U.S. Cl.**
USPC **D15/199**

(58) **Field of Classification Search**
USPC D15/122, 199; D21/578-583; D32/21;
D34/34
CPC B25J 9/046; B25J 9/042; B25J 9/06; H01L
21/67766
See application file for complete search history.

(56) **References Cited**

U.S. PATENT DOCUMENTS

D548,759 S * 8/2007 Kraft D15/199
D616,909 S * 6/2010 Long D15/199
D716,357 S * 10/2014 Gombert D15/199
D776,178 S * 1/2017 Ries D15/199
D802,041 S * 11/2017 He D15/199
D830,439 S * 10/2018 Park D15/199

D841,712 S * 2/2019 Hontani D15/199
D873,878 S * 1/2020 Vazquez D15/199
D874,530 S * 2/2020 Haddadin D15/199
D882,655 S * 4/2020 Kouthoofd D15/199
D885,452 S * 5/2020 Haddadin D15/199
D905,775 S * 12/2020 Inoue D15/199
D906,392 S * 12/2020 Wappler D15/199
D911,408 S * 2/2021 Okada D15/199
D913,350 S * 3/2021 Gupta D15/199
D915,487 S * 4/2021 Sell D15/199
D921,733 S * 6/2021 Li D15/199
D933,421 S * 10/2021 Kim D7/397
D935,502 S * 11/2021 Yamashiro D15/199
D942,518 S * 2/2022 Yang D15/199
D958,859 S * 7/2022 Picard D15/199
2011/0064554 A1 * 3/2011 Ito B25J 9/047
414/735
2011/0107866 A1 * 5/2011 Oka B25J 9/0087
74/490.03
2020/0338718 A1 * 10/2020 Oowaki B25J 9/0009

* cited by examiner

Primary Examiner — Patricia A Palasik

(74) *Attorney, Agent, or Firm* — Sughrue Mion, PLLC

(57) **CLAIM**

The ornamental design for an industrial robot, as shown and described.

DESCRIPTION

FIG. 1 is a front perspective view of an industrial robot showing a new design;
FIG. 2 is a front view thereof;
FIG. 3 is a rear view thereof;
FIG. 4 is a left side view thereof;
FIG. 5 is a right side view thereof;
FIG. 6 is a top plan view thereof; and,
FIG. 7 is a bottom plan view thereof.
The broken line portions of the industrial robot in the drawings form no part of the claimed design.

1 Claim, 7 Drawing Sheets

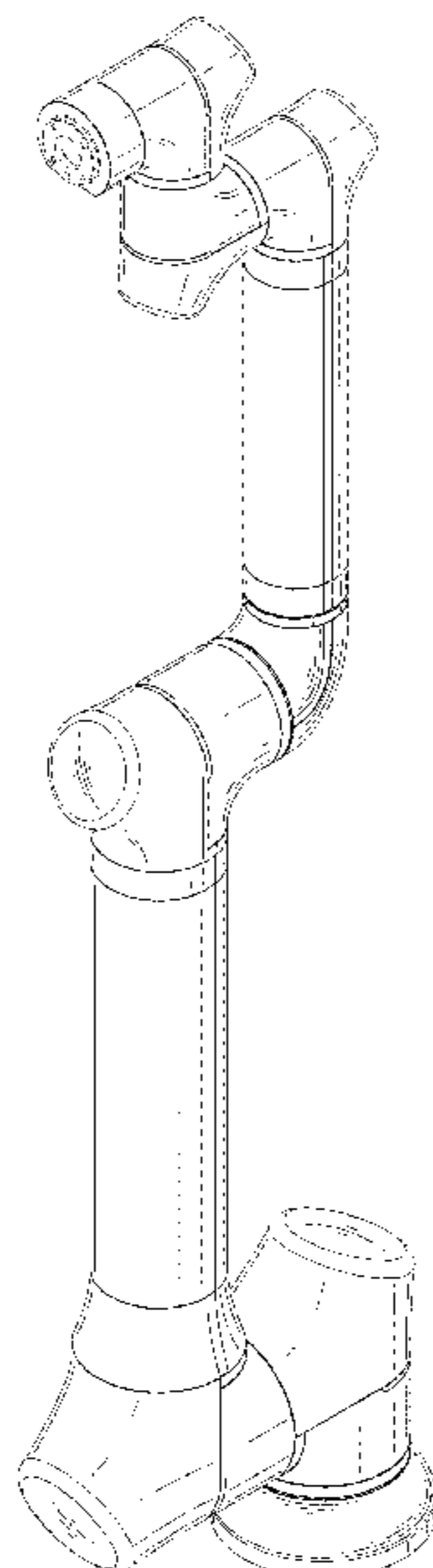


FIG. 1

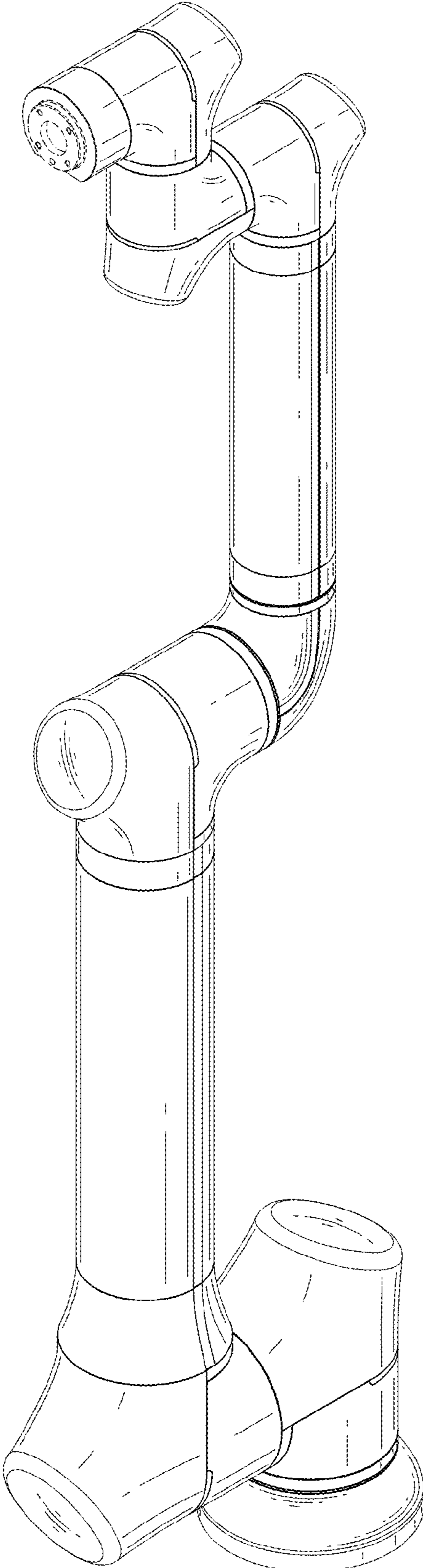


FIG. 2

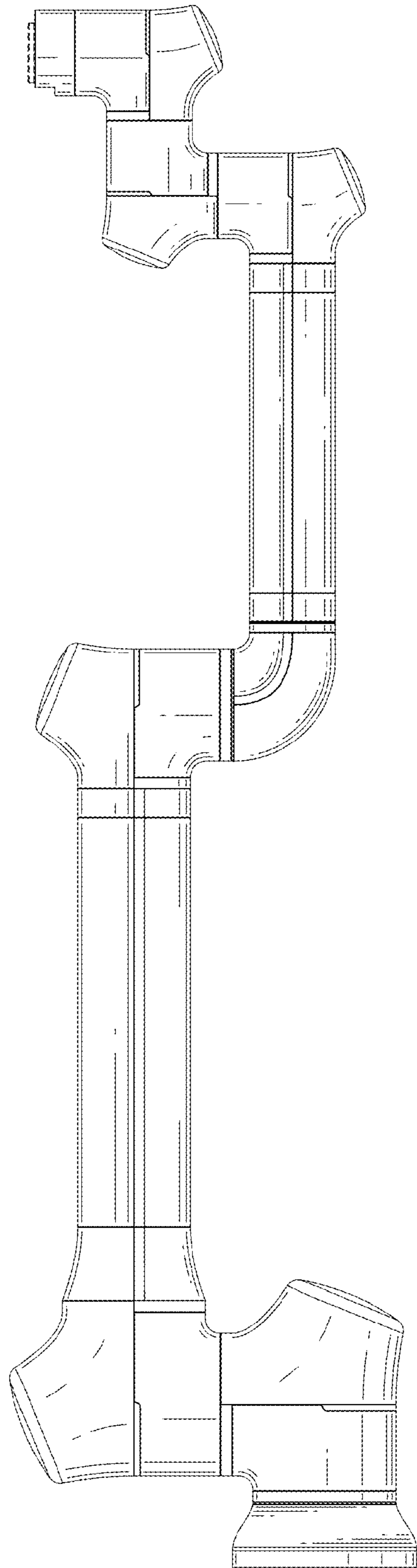


FIG. 3

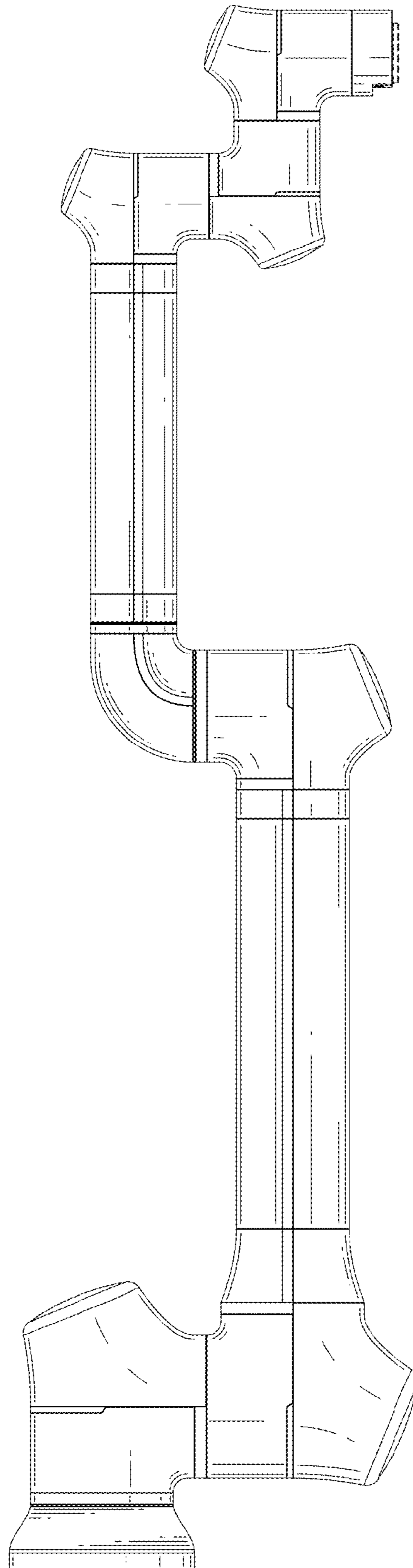


FIG. 4

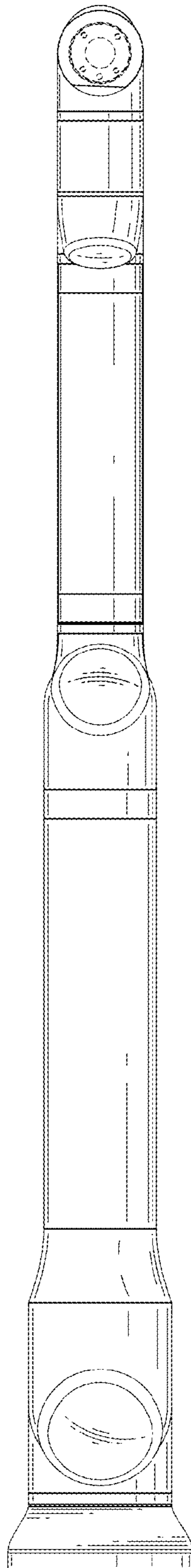


FIG. 5

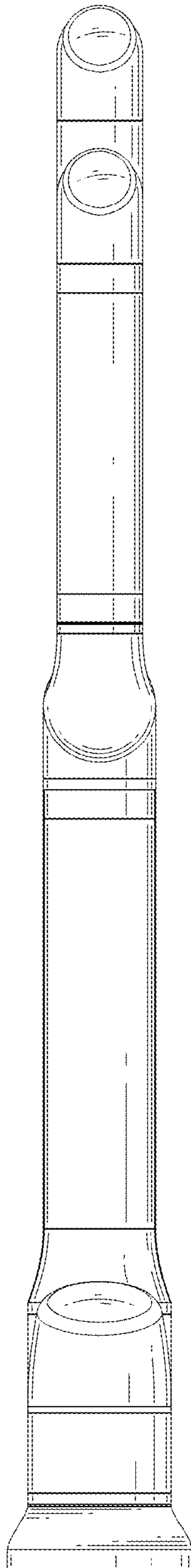


FIG. 6

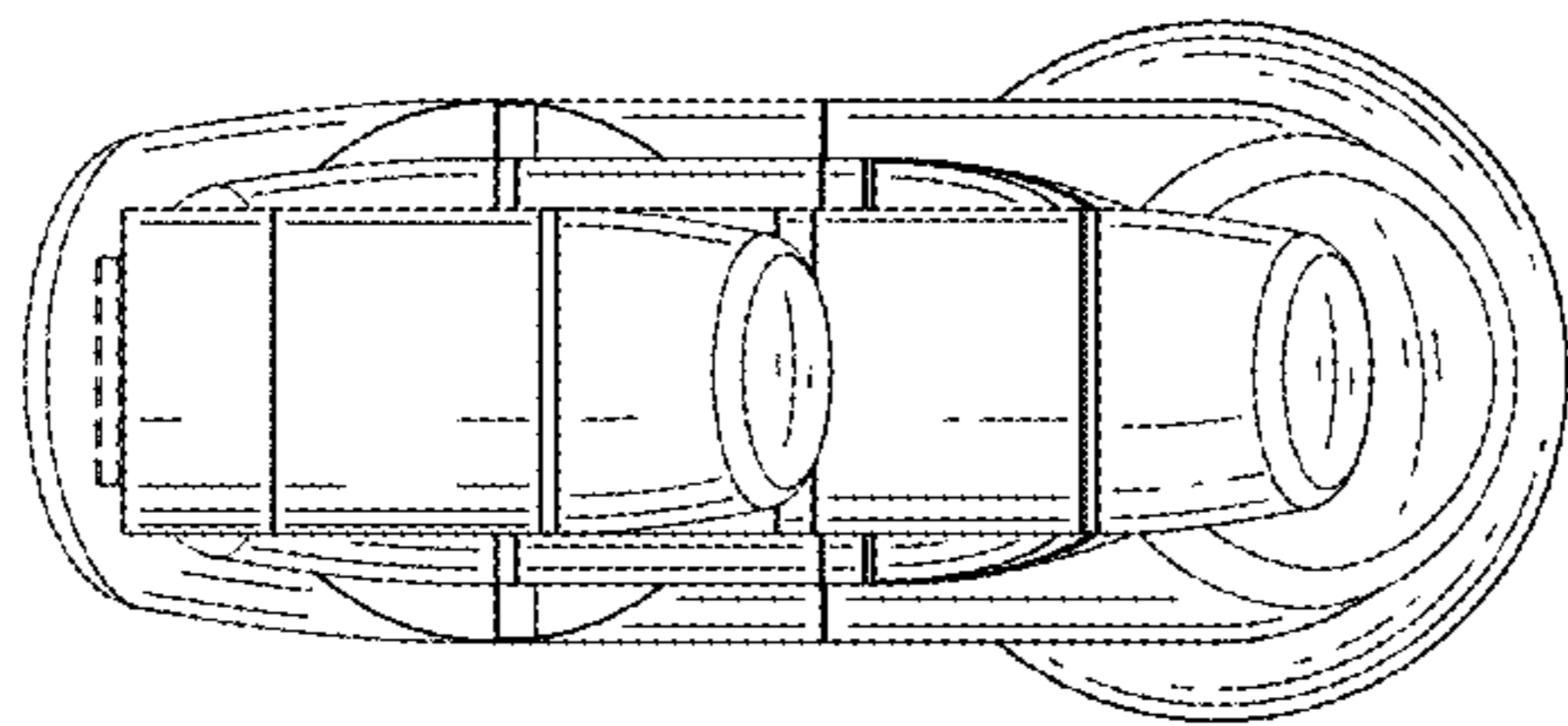


FIG. 7

