



US00D979622S

(12) **United States Design Patent**  
**Hudnall et al.**

(10) **Patent No.:** **US D979,622 S**  
(45) **Date of Patent:** **\*\* Feb. 28, 2023**

(54) **OIL PAN**

- (71) Applicant: **Holley Performance Products, Inc.**,  
Bowling Green, KY (US)
- (72) Inventors: **Coy Hudnall**, Bowling Green, KY  
(US); **Kevin Tracy**, Port Charlotte, FL  
(US)
- (73) Assignee: **Holley Performance Products, Inc.**,  
Bowling Green, KY (US)

(\*\*) Term: **15 Years**

(21) Appl. No.: **29/749,677**

(22) Filed: **Sep. 8, 2020**

(51) **LOC (14) Cl.** ..... **09-09**

(52) **U.S. Cl.**

USPC ..... **D15/152**

(58) **Field of Classification Search**

USPC ..... D8/499; D12/122-124, 127, 159-162,  
D12/180; D15/1-5, 138, 143, 148,  
D15/150-152; D13/151; D34/29, 33, 35  
CPC ..... F01M 9/00; F01M 9/06  
See application file for complete search history.

(56) **References Cited**

**U.S. PATENT DOCUMENTS**

D220,470 S *	4/1971	Lewis	.....	D9/527
D264,180 S *	5/1982	Bartz	.....	D15/152
D305,618 S *	1/1990	Blaser	.....	D9/425
D638,042 S *	5/2011	Liao	.....	D15/152
D660,892 S	5/2012	Tomlinson		
D661,328 S *	6/2012	Liao	.....	D15/152
D713,435 S *	9/2014	Liao	.....	D15/152
D823,897 S *	7/2018	Tomlinson	.....	D15/5

(Continued)

**FOREIGN PATENT DOCUMENTS**

AU	341123	2/2012
AU	201717295	12/2017

(Continued)

**OTHER PUBLICATIONS**

Design U.S. Appl. No. 29/749,677, filed Sep. 8, 2020 entitled Oil Pan.

(Continued)

*Primary Examiner* — Michael C Stout

*Assistant Examiner* — Fritzgerald L Butac

(74) *Attorney, Agent, or Firm* — Dinsmore & Shohl LLP

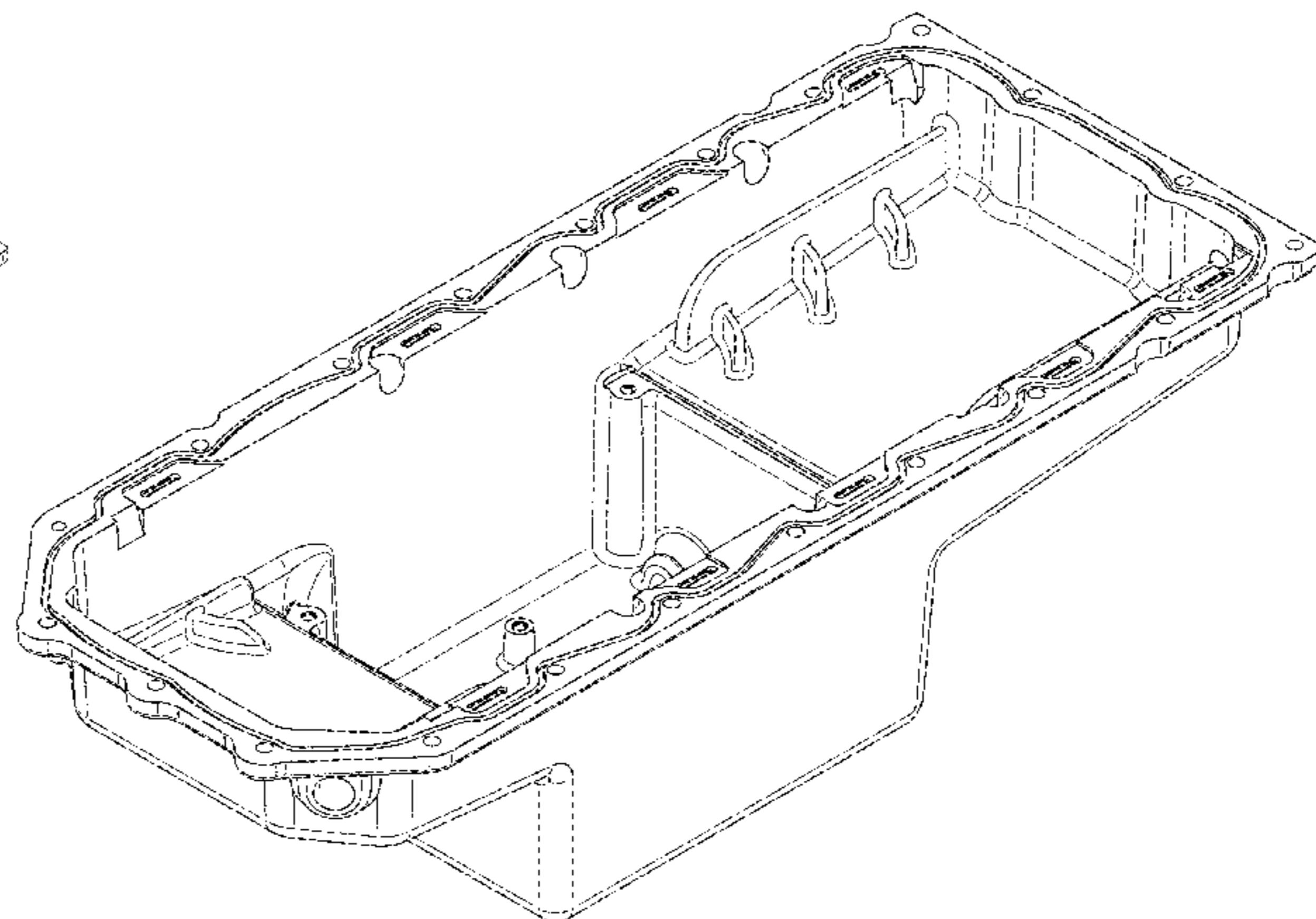
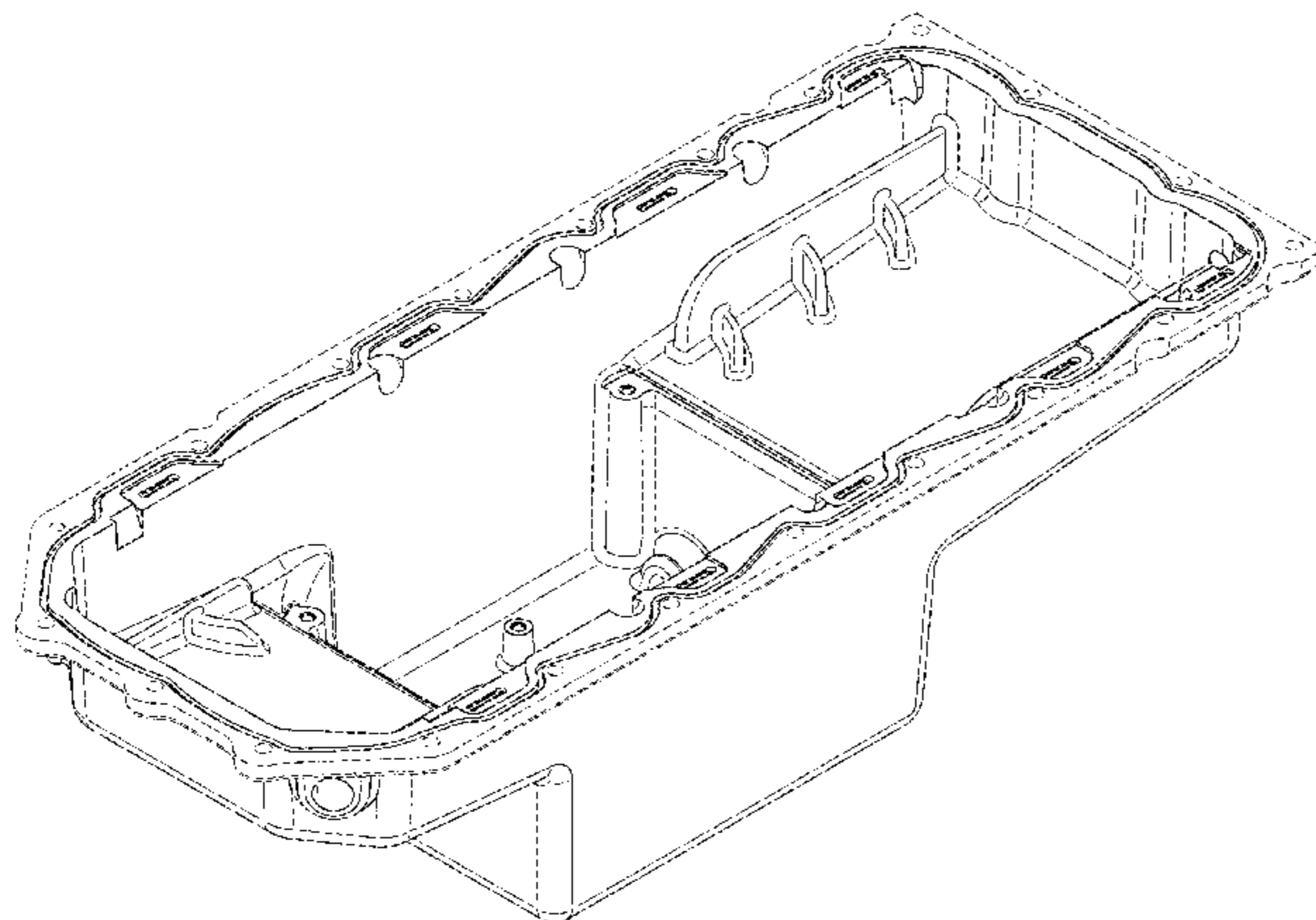
(57) **CLAIM**

The ornamental design for an oil pan, as shown and described.

**DESCRIPTION**

FIG. 1 is an upper perspective view of a first embodiment of an oil pan;  
 FIG. 2 is a lower perspective view of the design of FIG. 1;  
 FIG. 3 is a front view of the design of FIG. 1;  
 FIG. 4 is a rear view of the design of FIG. 1;  
 FIG. 5 is a first side view of the design of FIG. 1;  
 FIG. 6 is a second side view of the design of FIG. 1;  
 FIG. 7 is a top view of the design of FIG. 1;  
 FIG. 8 is a bottom view of the design of FIG. 1;  
 FIG. 9 is an upper perspective view of a second embodiment of an oil pan;  
 FIG. 10 is a lower perspective view of the design of FIG. 9;  
 FIG. 11 is a front view of the design of FIG. 9;  
 FIG. 12 is a rear view of the design of FIG. 9;  
 FIG. 13 is a first side view of the design of FIG. 9;  
 FIG. 14 is a second side view of the design of FIG. 9;  
 FIG. 15 is a top view of the design of FIG. 9; and,  
 FIG. 16 is a bottom view of the design of FIG. 9.  
 The broken lines show portions of an oil pan that form no part of the claimed design.

**1 Claim, 16 Drawing Sheets**



(56)

**References Cited**

U.S. PATENT DOCUMENTS

D842,911 S     3/2019   O'Neill  
D936,718 S \* 11/2021   Schildmeier ..... D15/152

FOREIGN PATENT DOCUMENTS

AU            201717297        12/2017  
AU            201717299        12/2017

OTHER PUBLICATIONS

U.S. Appl. No. 63/075,637, filed Sep. 8, 2020 entitled Oil Pan.  
Holley 2017 New & Hot Products, 2016.

\* cited by examiner

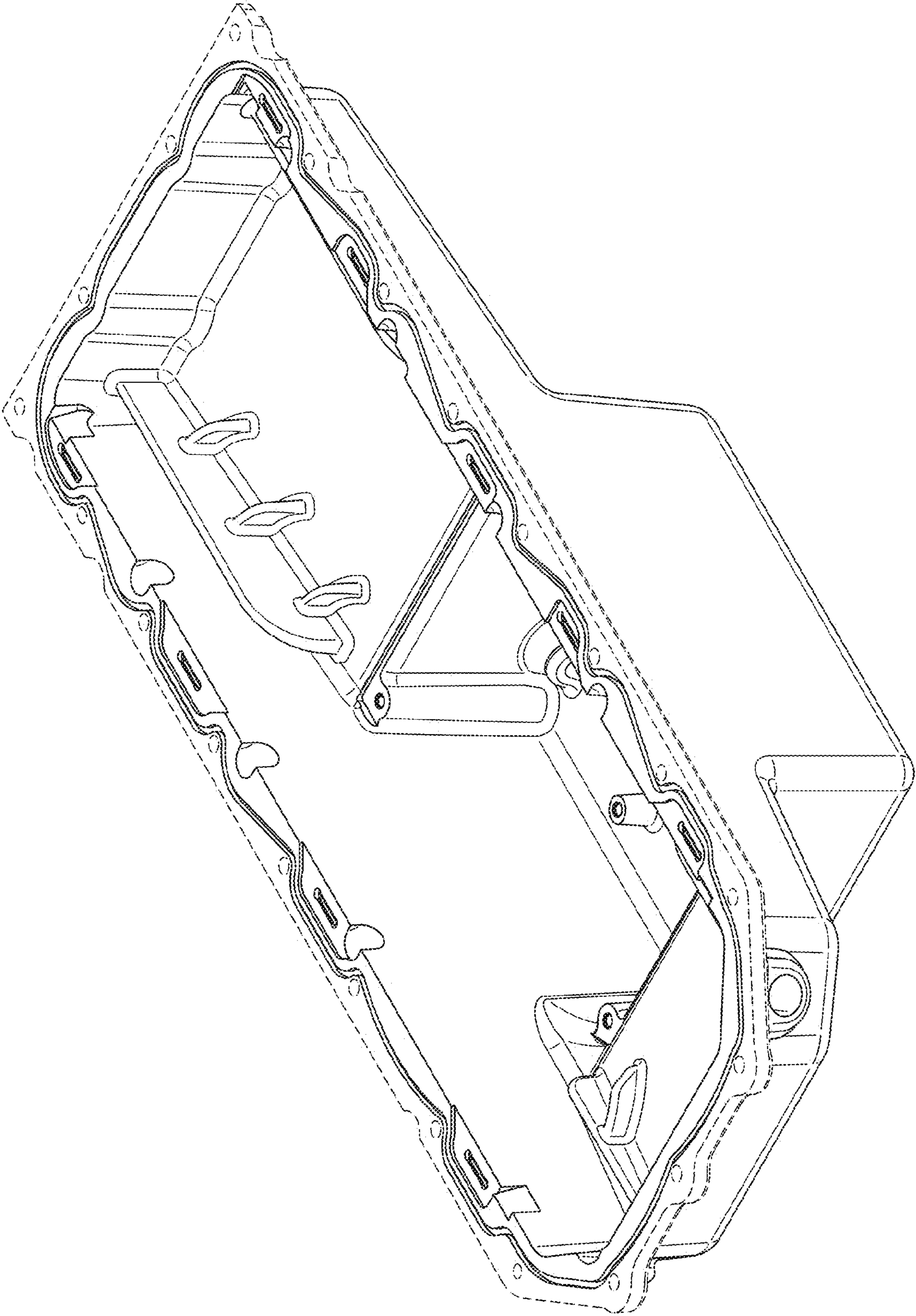


FIG. 1



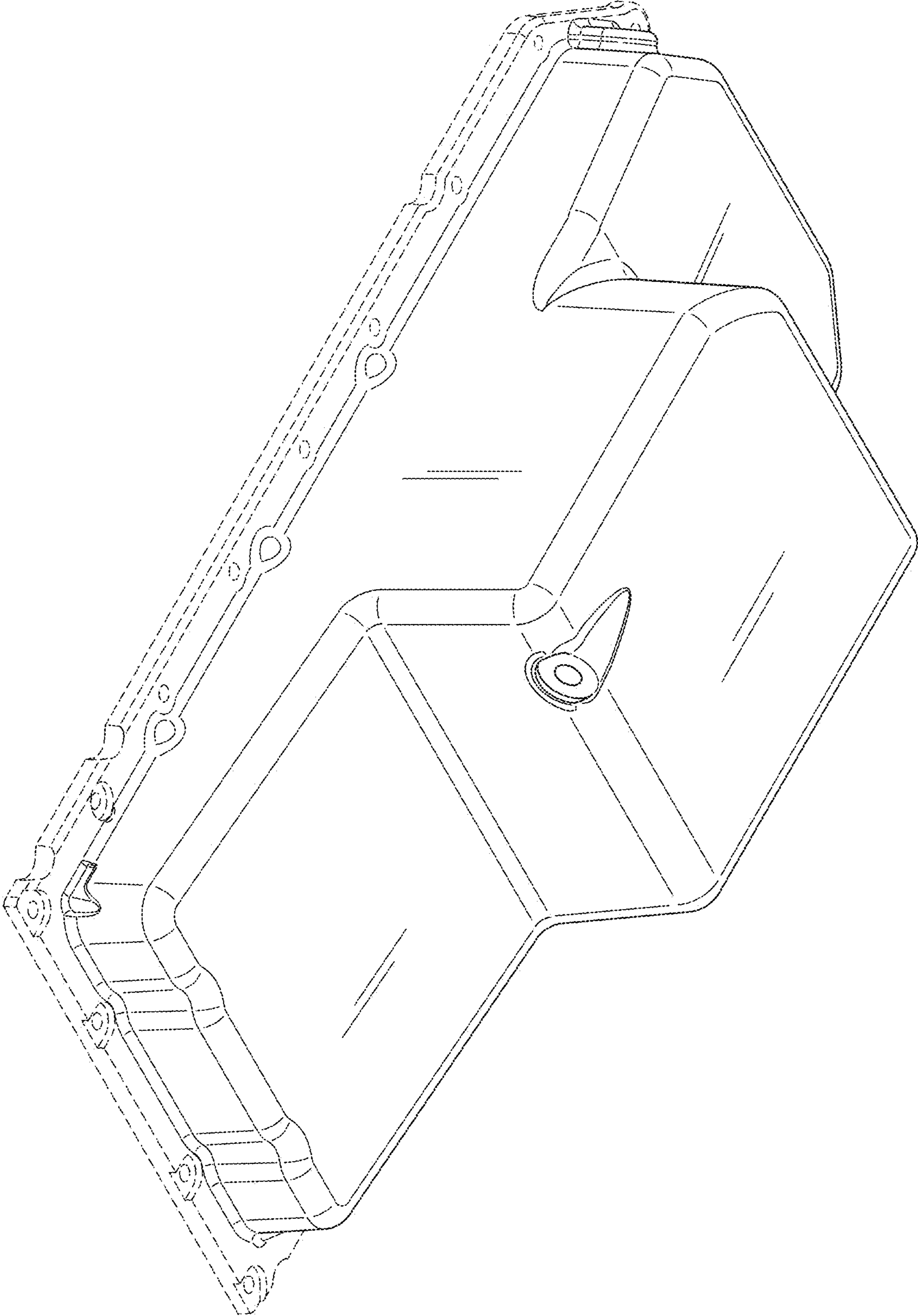


FIG. 2

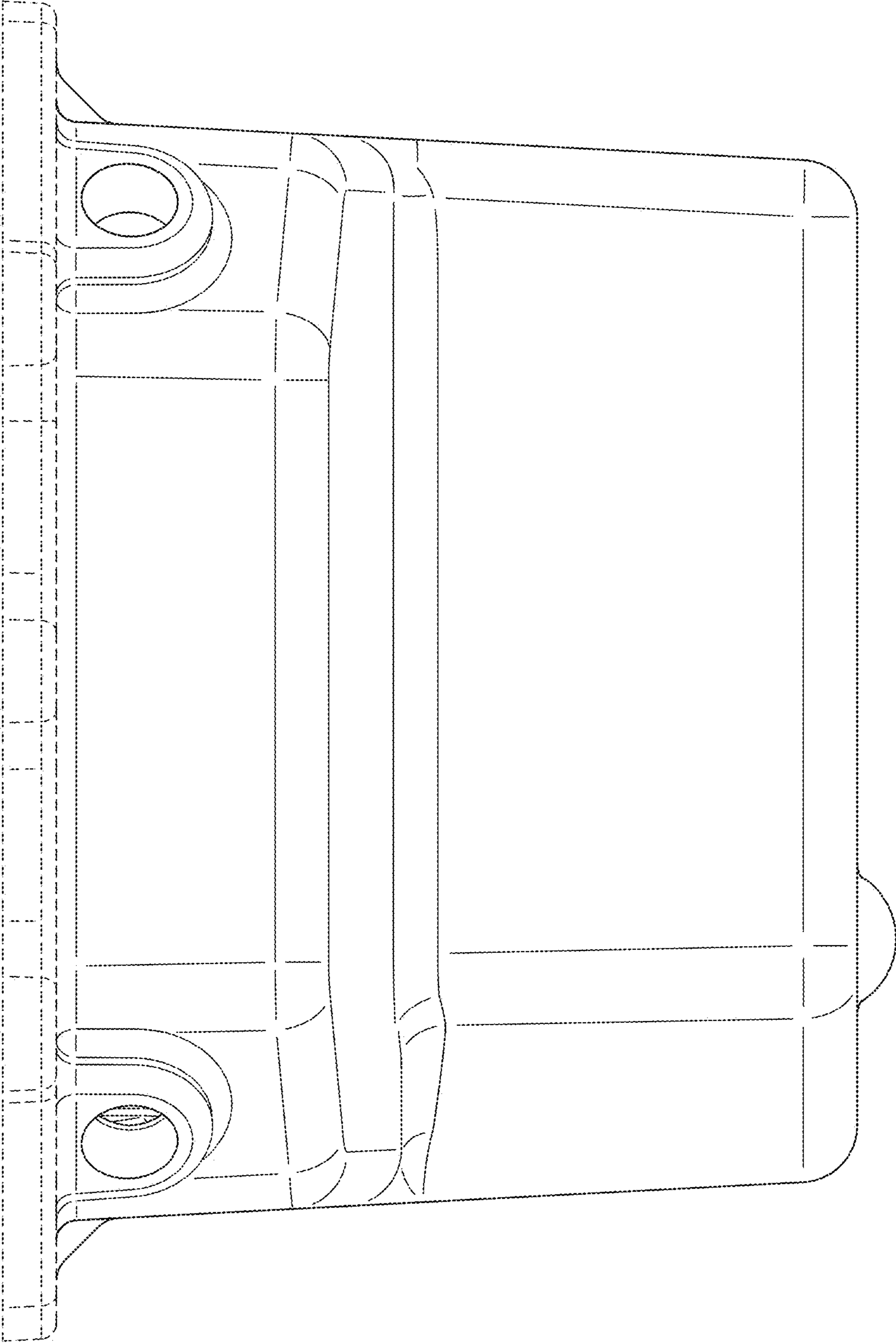


FIG. 3

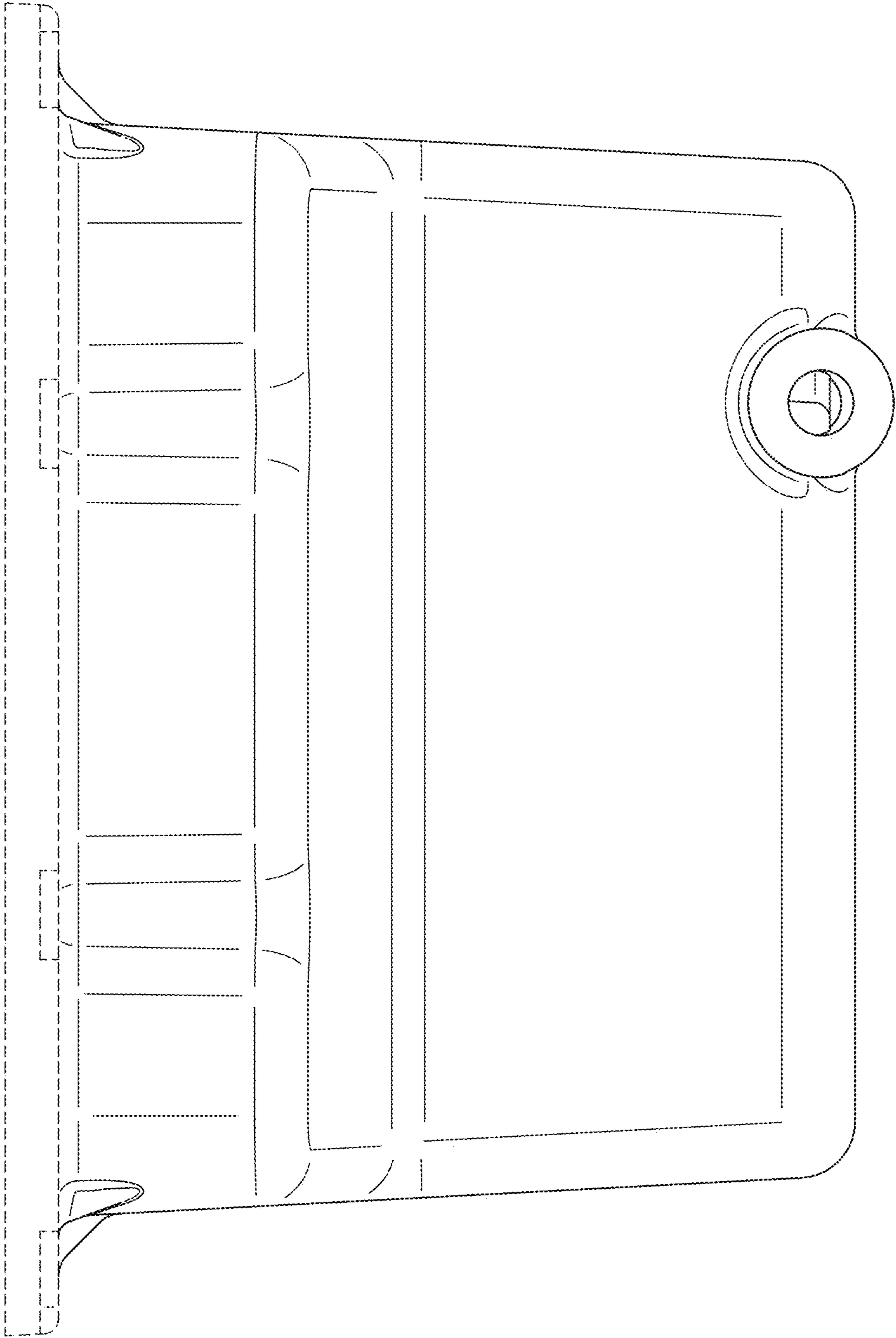


FIG. 4

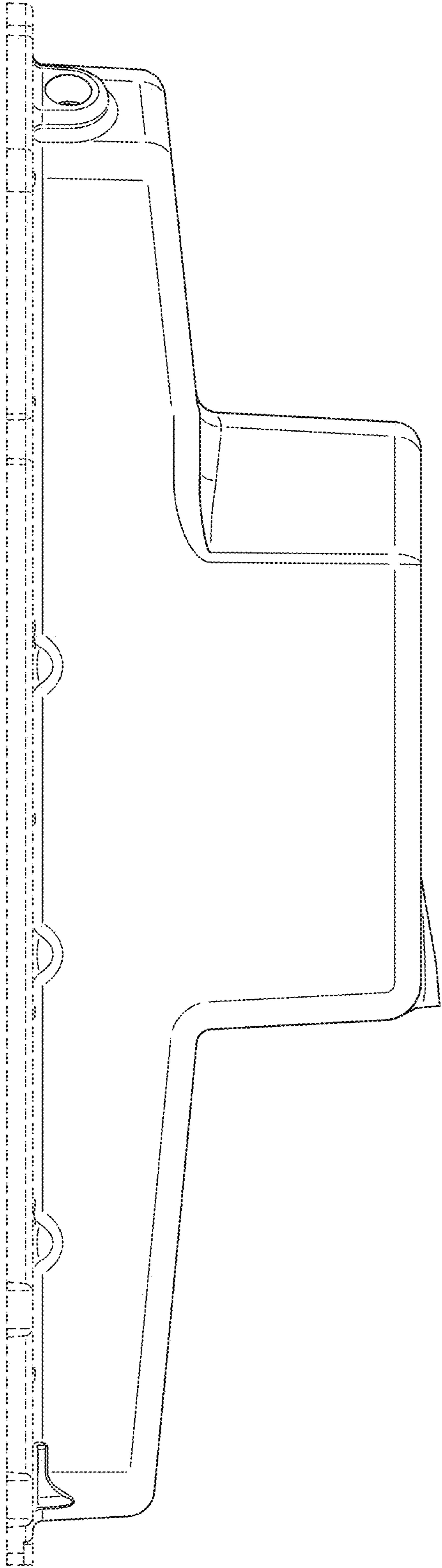


FIG. 5

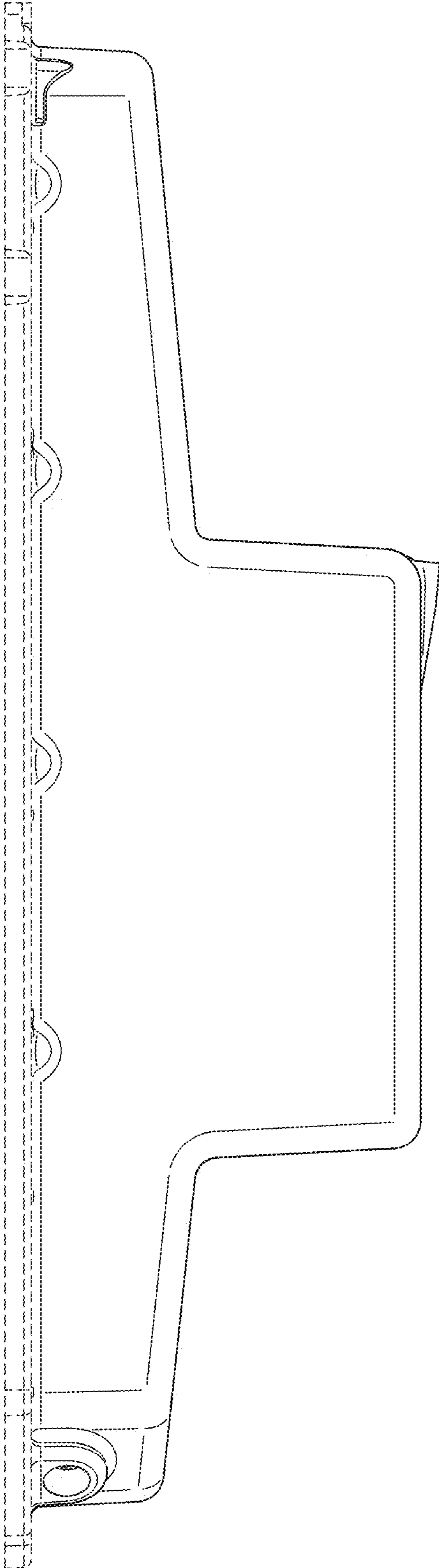


FIG. 6



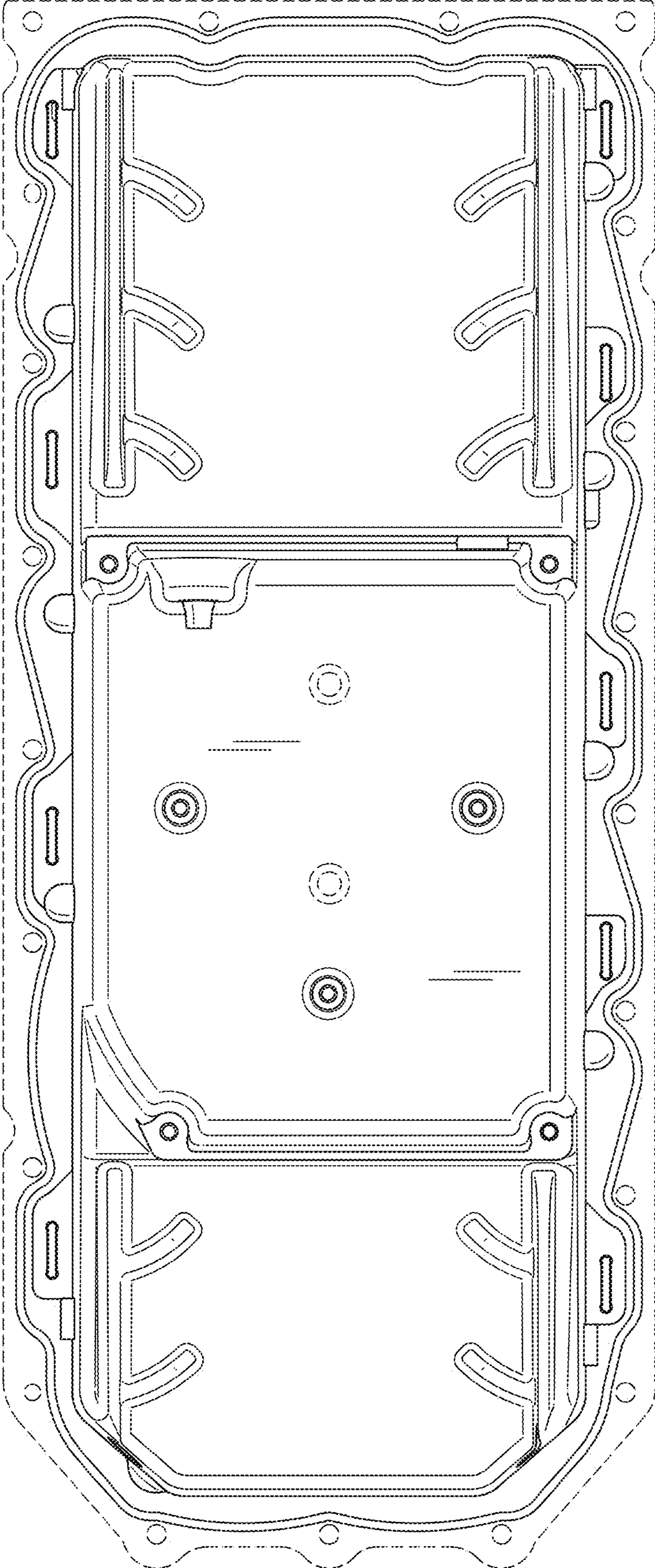


FIG. 7

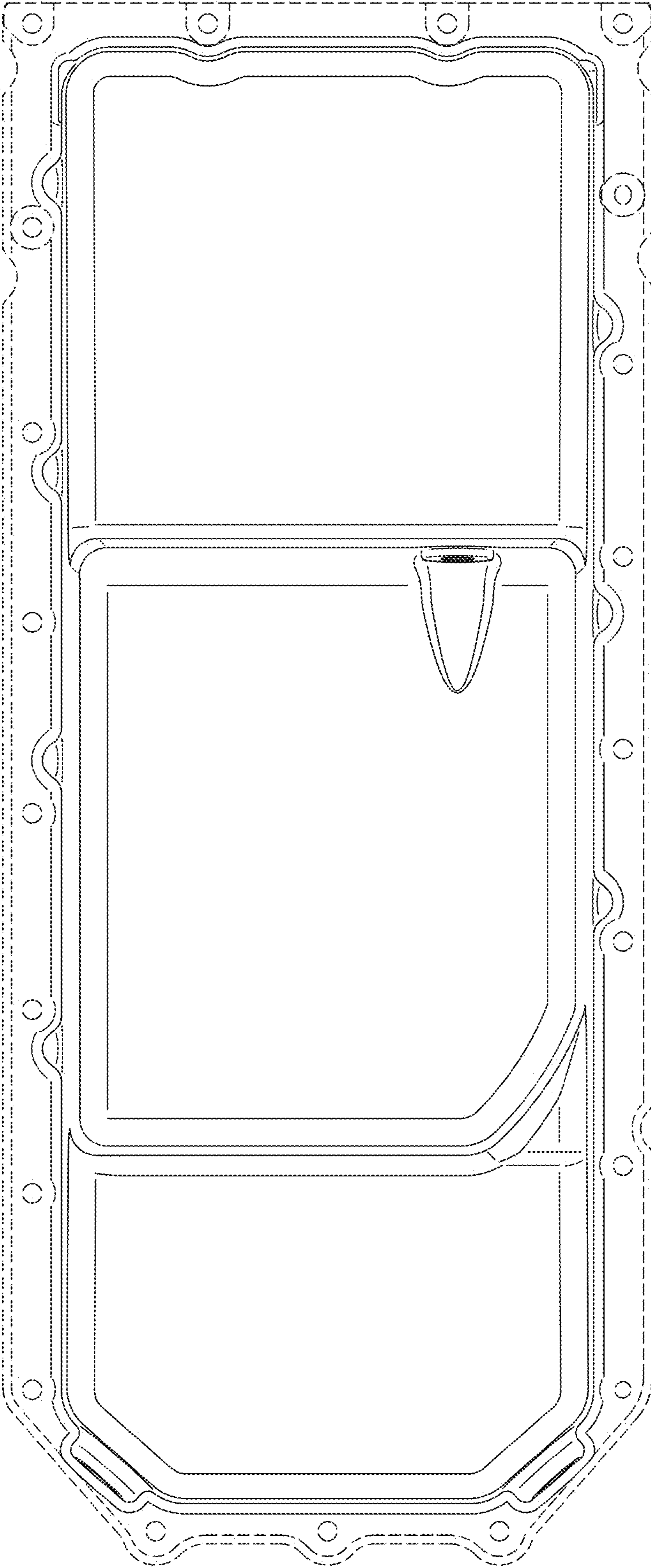


FIG. 8

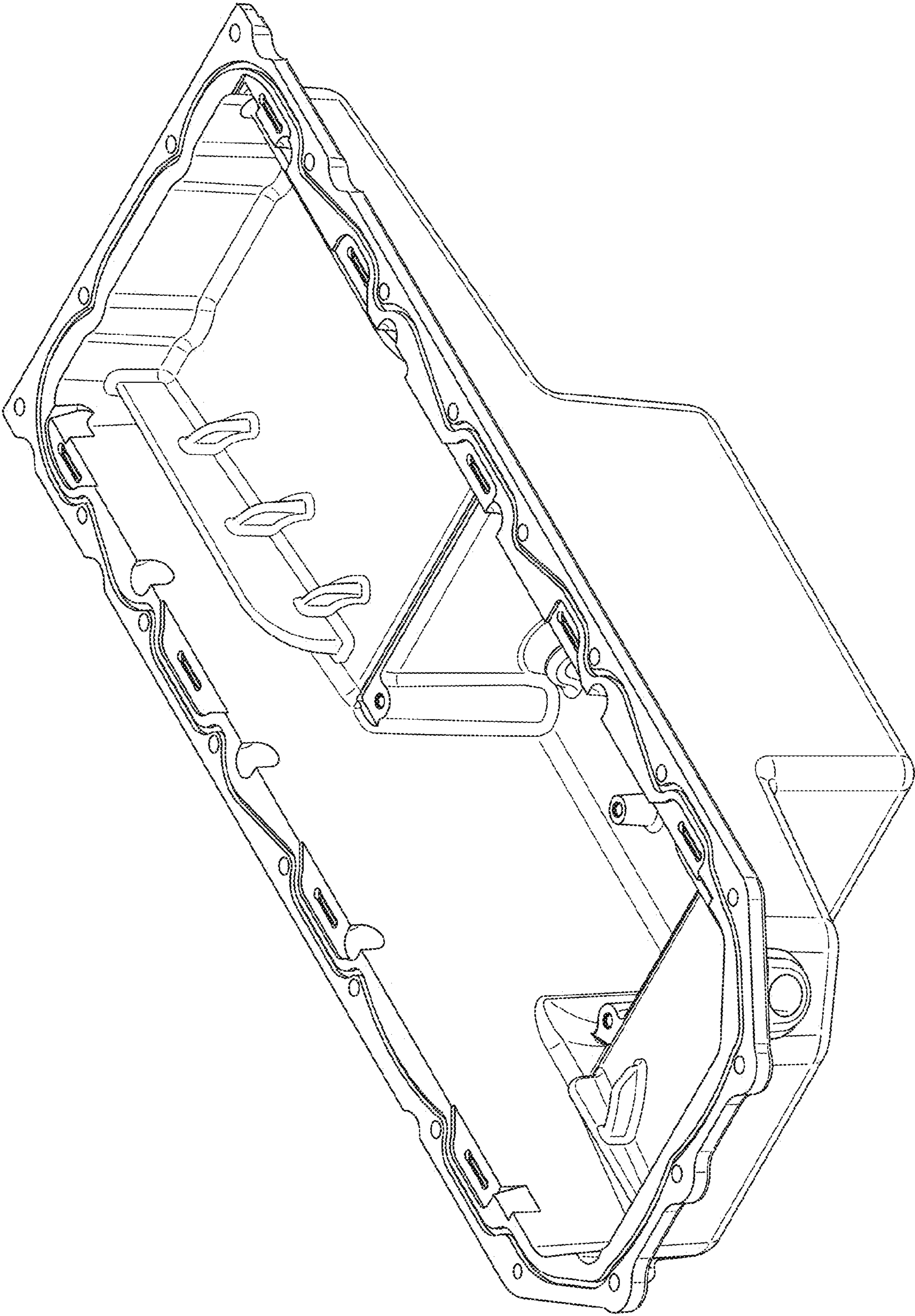


FIG. 9



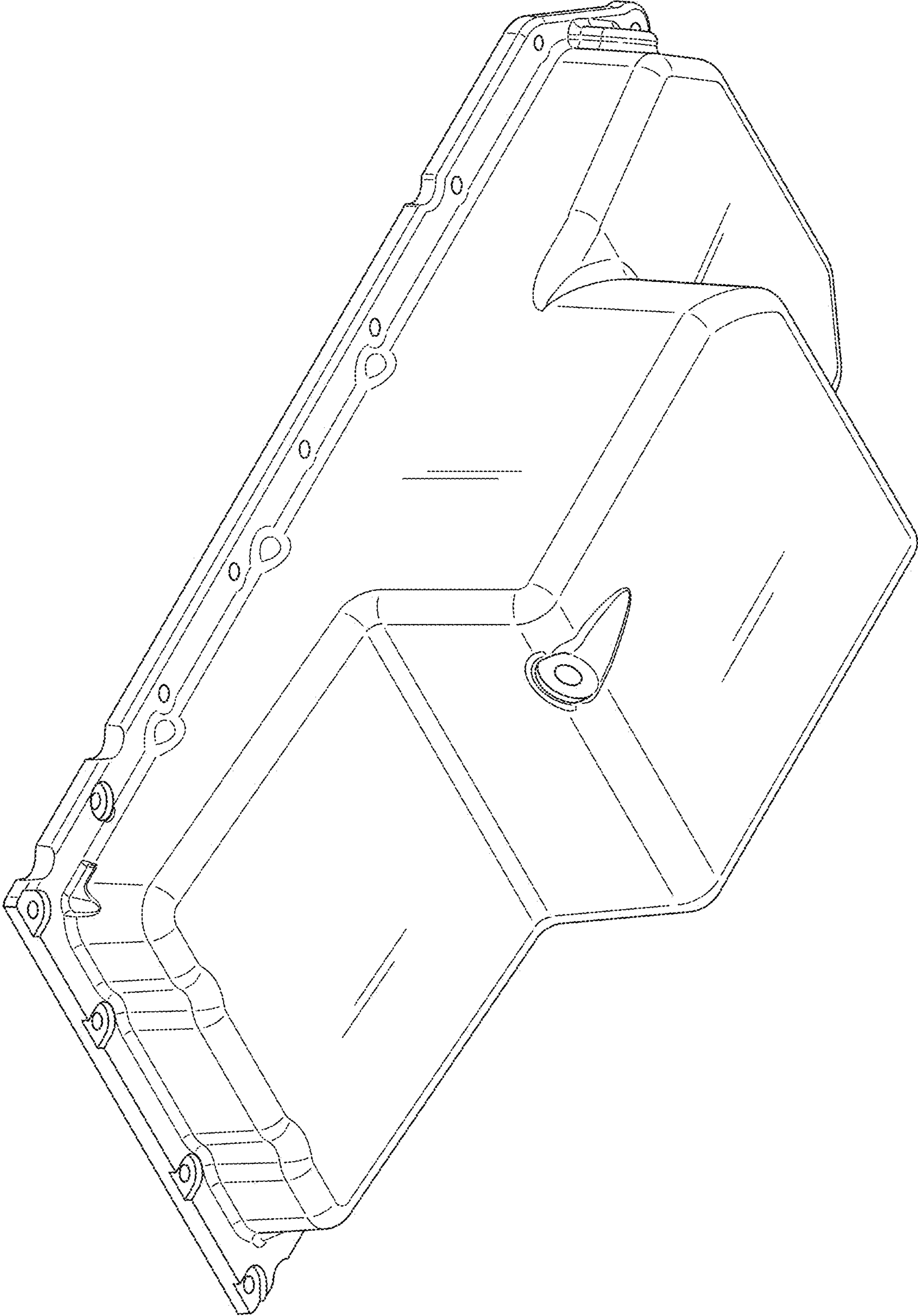


FIG. 10



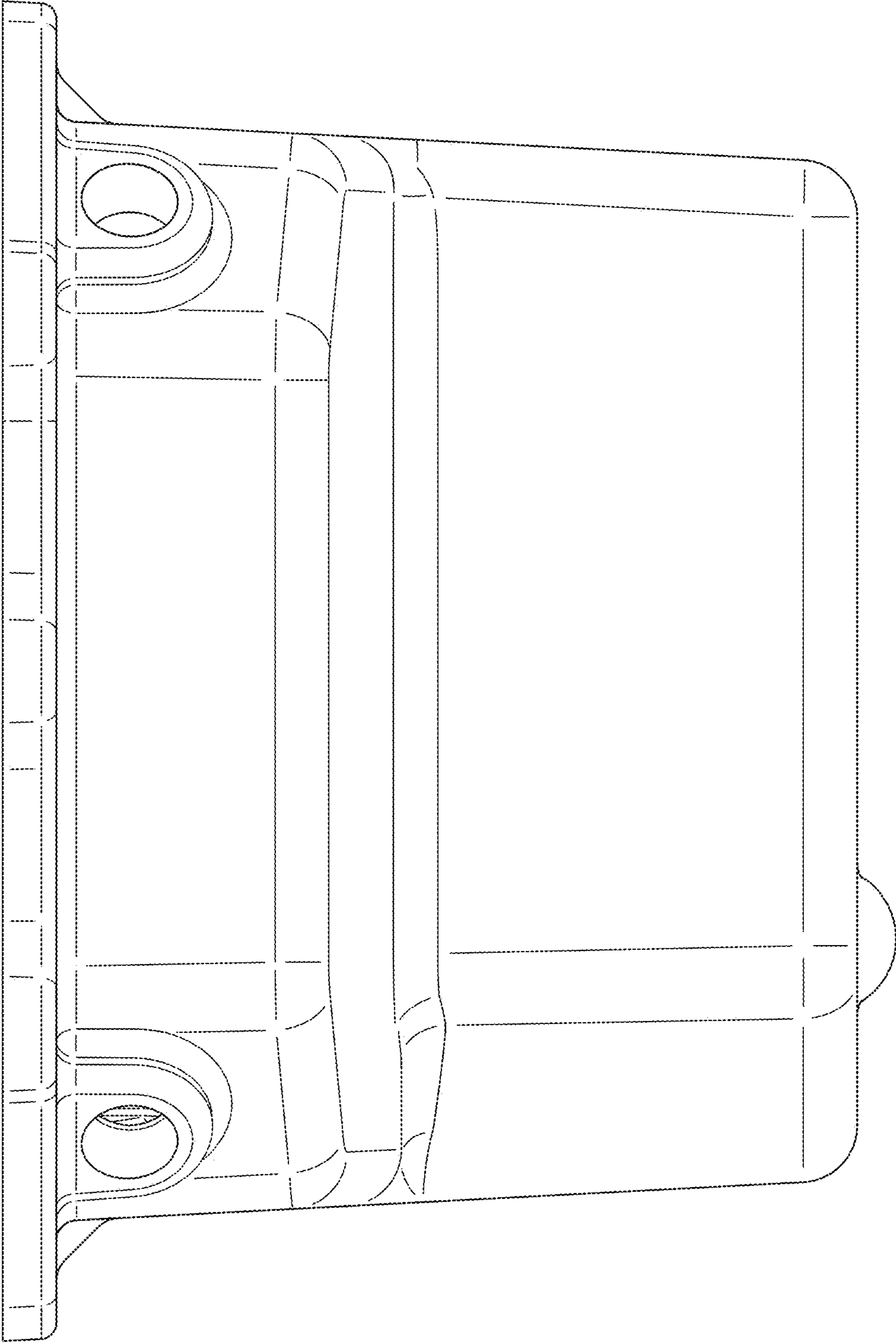


FIG. 11

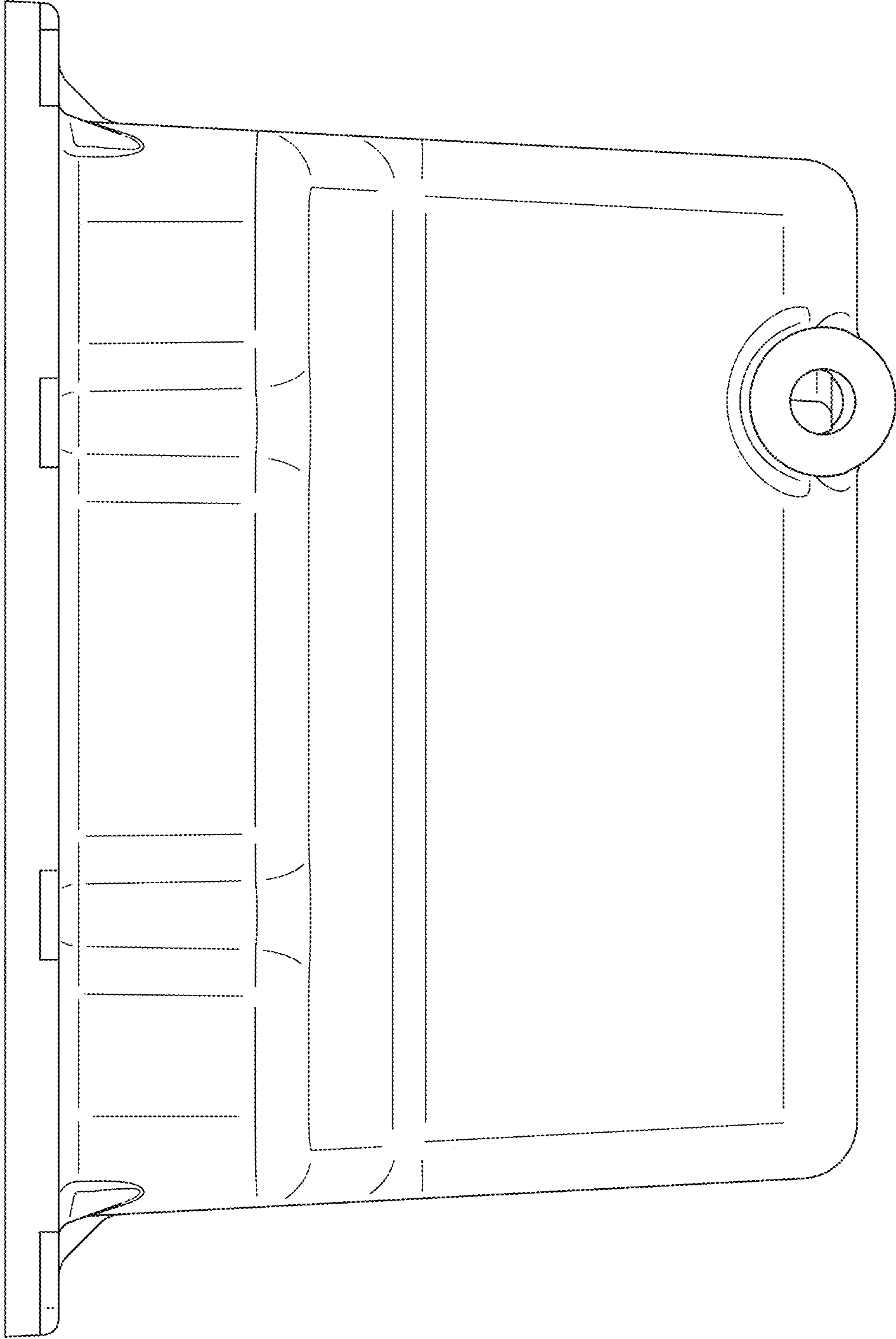


FIG. 12

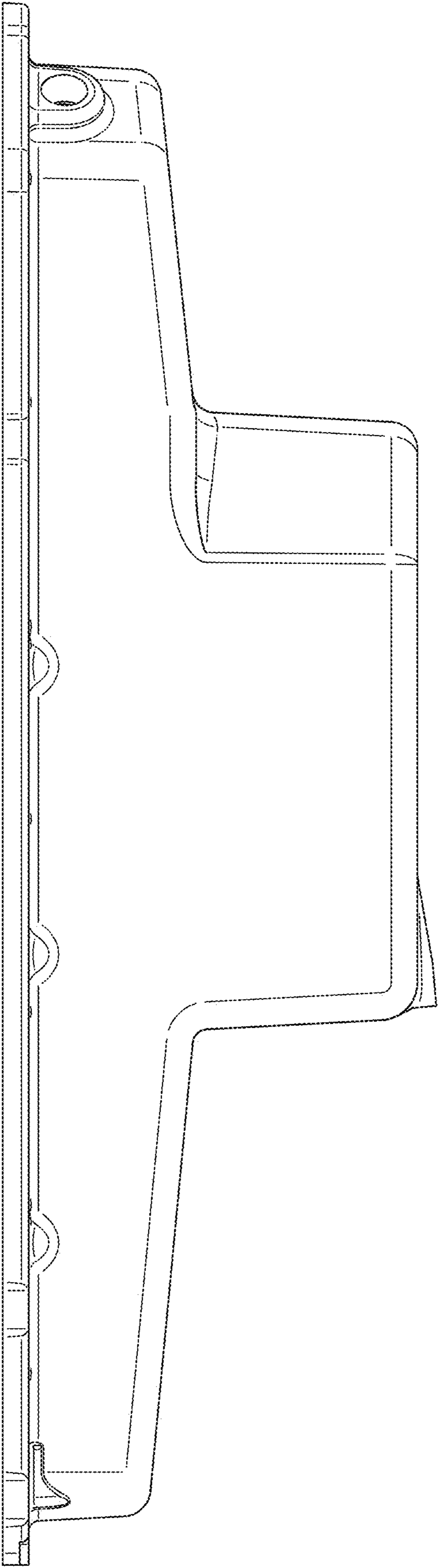


FIG. 13

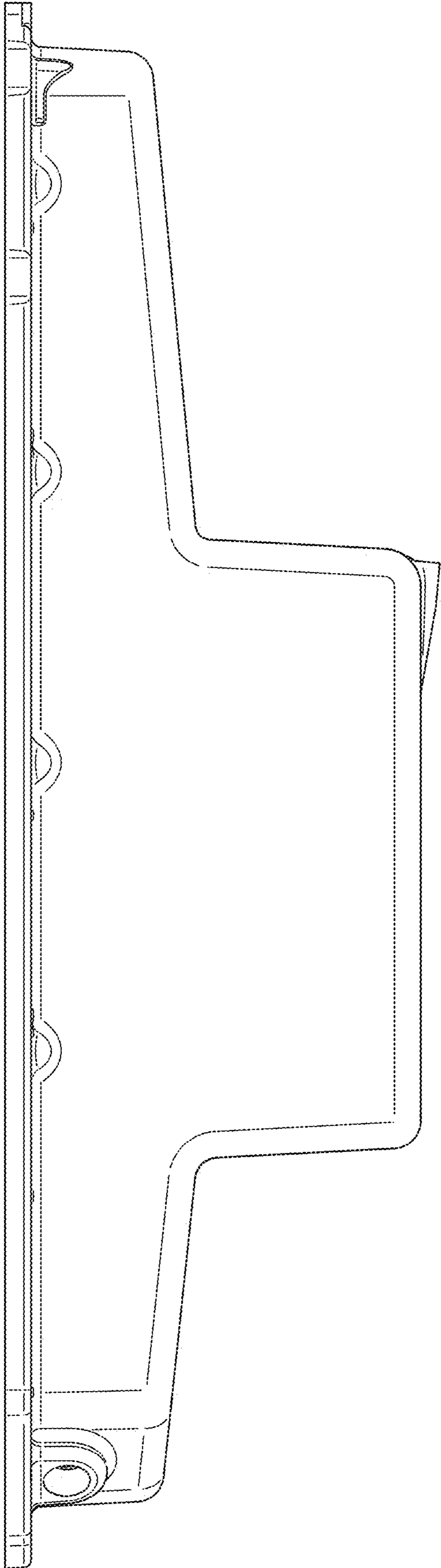


FIG. 14



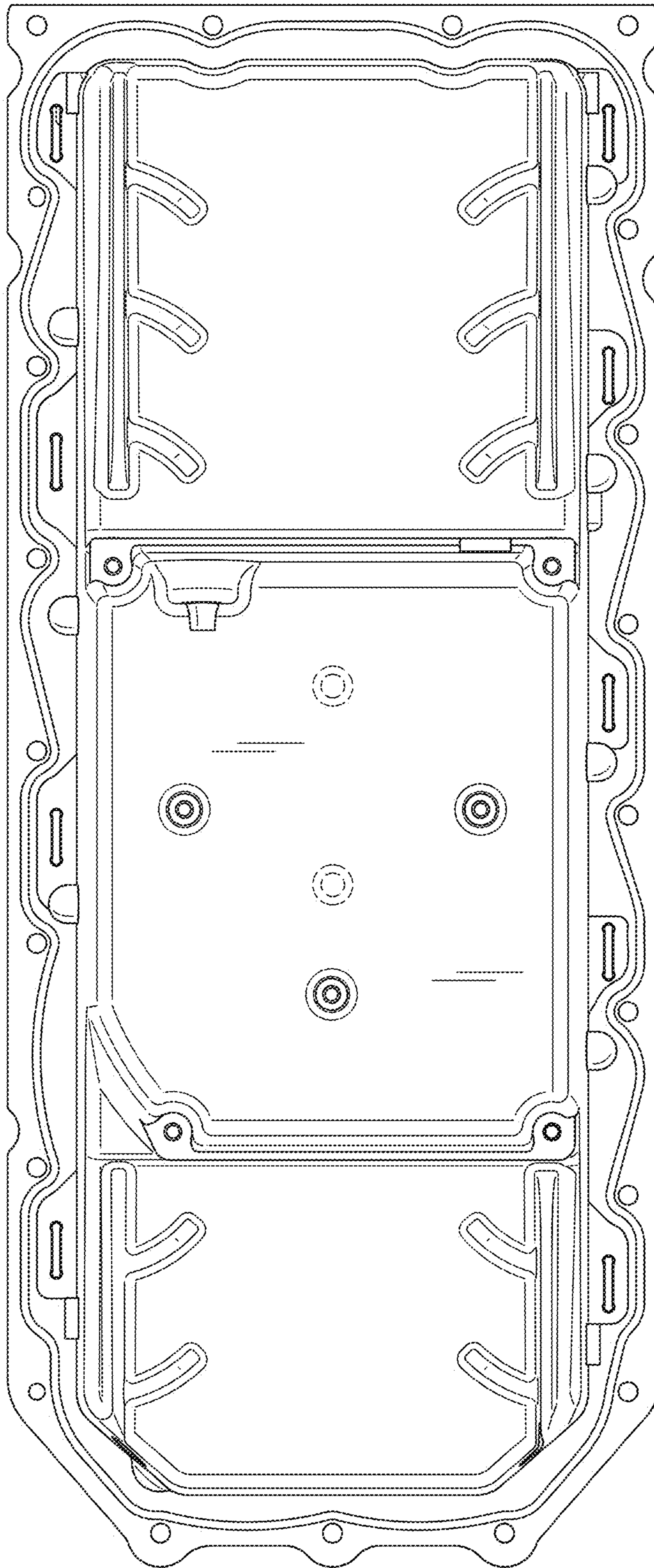


FIG. 15

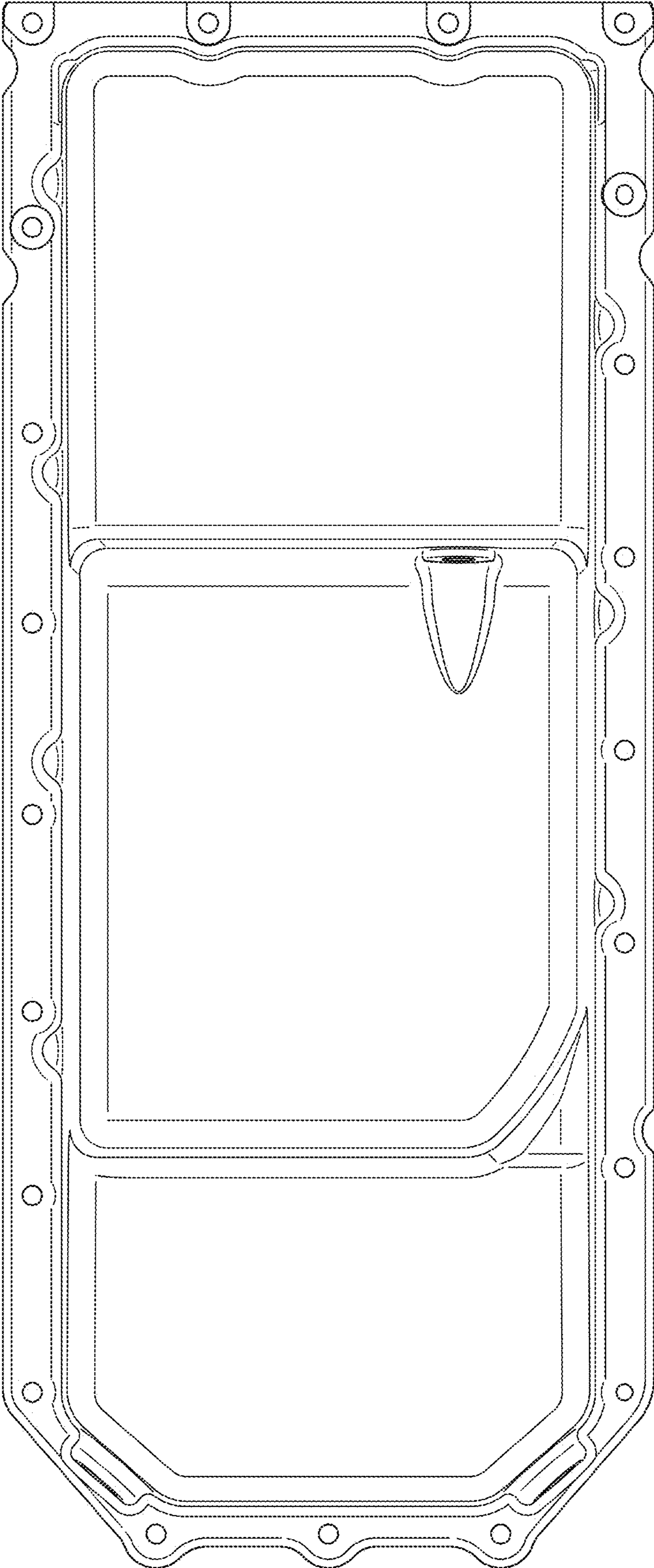


FIG. 16