

US00D979621S

(12) **United States Design Patent** (10) **Patent No.:** **US D979,621 S**
Zhou (45) **Date of Patent:** **** Feb. 28, 2023**

(54) **MUG PRESS**
(71) Applicant: **Loudi Yuanfa Technology Co., Ltd.,**
Hunan (CN)
(72) Inventor: **Ding Zhou,** Hunan (CN)
(73) Assignee: **Loudi Yuanfa Technology Co., Ltd.,**
Hunan (CN)
(**) Term: **15 Years**
(21) Appl. No.: **29/860,327**
(22) Filed: **Nov. 17, 2022**
(51) **LOC (14) Cl.** **15-99**
(52) **U.S. Cl.**
USPC **D15/146;** D15/122; D15/144
(58) **Field of Classification Search**
USPC D7/336, 337, 352, 356, 362, 602;
D15/122, 123, 144, 146; D18/50, 53
CPC .. B41F 16/00; B41F 16/0026; B41F 16/0093;
B41F 1/38; B30B 15/047; B30B 15/061;
B30B 15/064; B30B 15/34; B41M 1/34;
B41M 1/40; B41M 5/03; B41M 5/035;
B44C 1/1712; B44C 1/1716
See application file for complete search history.

D868,125 S * 11/2019 Shu D15/144
D935,501 S * 11/2021 Li D15/146
D947,262 S * 3/2022 Chen D15/144.1
D955,080 S * 6/2022 Guo D32/70
D969,188 S * 11/2022 Zhou D15/144
2004/0244617 A1* 12/2004 Eppinger B41F 15/12
101/287
2014/0295100 A1* 10/2014 Baskerville B05D 3/0281
118/620

OTHER PUBLICATIONS

Realkant, Tumbler Heat Press Machine, (first available Aug. 29, 2022), Amazon.com, URL:<<https://www.amazon.com/Realkant-Upgraded-Sublimation-Straight-Tumblers/dp/BOBC7FRPRD>> (Year: 2022).*

(Continued)

Primary Examiner — Sheryl Lane
Assistant Examiner — Mark T. Philipps
(74) *Attorney, Agent, or Firm* — ScienBiziP, P.C.

(57) **CLAIM**

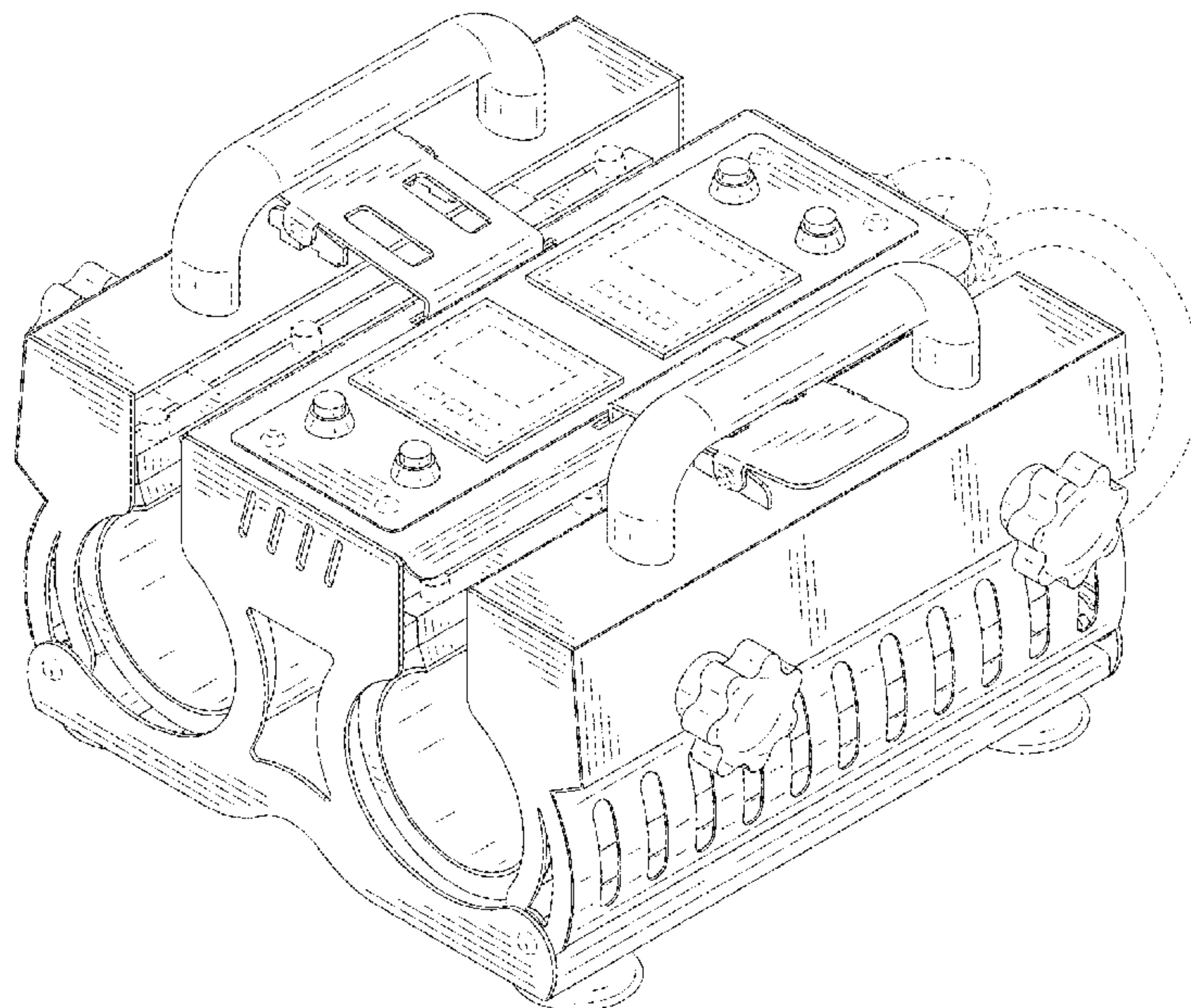
The ornamental design for a mug press, as shown and described.

DESCRIPTION

FIG. 1 is a front, left and top perspective view of a mug press, showing my design.
FIG. 2 is a rear, right and bottom perspective view thereof.
FIG. 3 is a front elevation view thereof.
FIG. 4 is a rear elevation view thereof.
FIG. 5 is a left side elevation view thereof.
FIG. 6 is a right side elevation view thereof.
FIG. 7 is a top plan view thereof; and,
FIG. 8 is a bottom plan view thereof.
The broken lines depict portions of the mug press that form no part of the claimed design.

1 Claim, 8 Drawing Sheets

(56) **References Cited**
U.S. PATENT DOCUMENTS
D250,896 S * 1/1979 Huber 600/490
4,595,607 A * 6/1986 Betteridge B29C 63/0069
427/195
D298,167 S * 10/1988 Schaffer D24/165
D328,130 S * 7/1992 Claxton, III D24/165
D341,658 S * 11/1993 Kojima D24/165
D353,604 S * 12/1994 Prokop D15/146
D557,717 S * 12/2007 Chen D15/144
D587,069 S * 2/2009 Bodum
D616,098 S * 5/2010 Shibata D24/165



(56)

References Cited

OTHER PUBLICATIONS

Tiqtak, Tumbler Heat Press Machine, (first available May 23, 2022), Amazon.com, URL:<<https://www.amazon.com/dp/B0B1ZQB6S4>> (Year: 2022).*

Findcolor, Tumbler Heat Press, (first available Jan. 24, 2022), Amazon.com, URL:<<https://www.amazon.com/dp/B09R26PRXC>> (Year: 2022).*

Realkant, Tumbler Heat Press Machine, (first available Aug. 1, 2022), Amazon.com, URL:<<https://www.amazon.com/Realkant-Tumbler-Sublimation-Straight-Tumblers/dp/B0B4RZQ1P7>> (Year: 2022).*

* cited by examiner

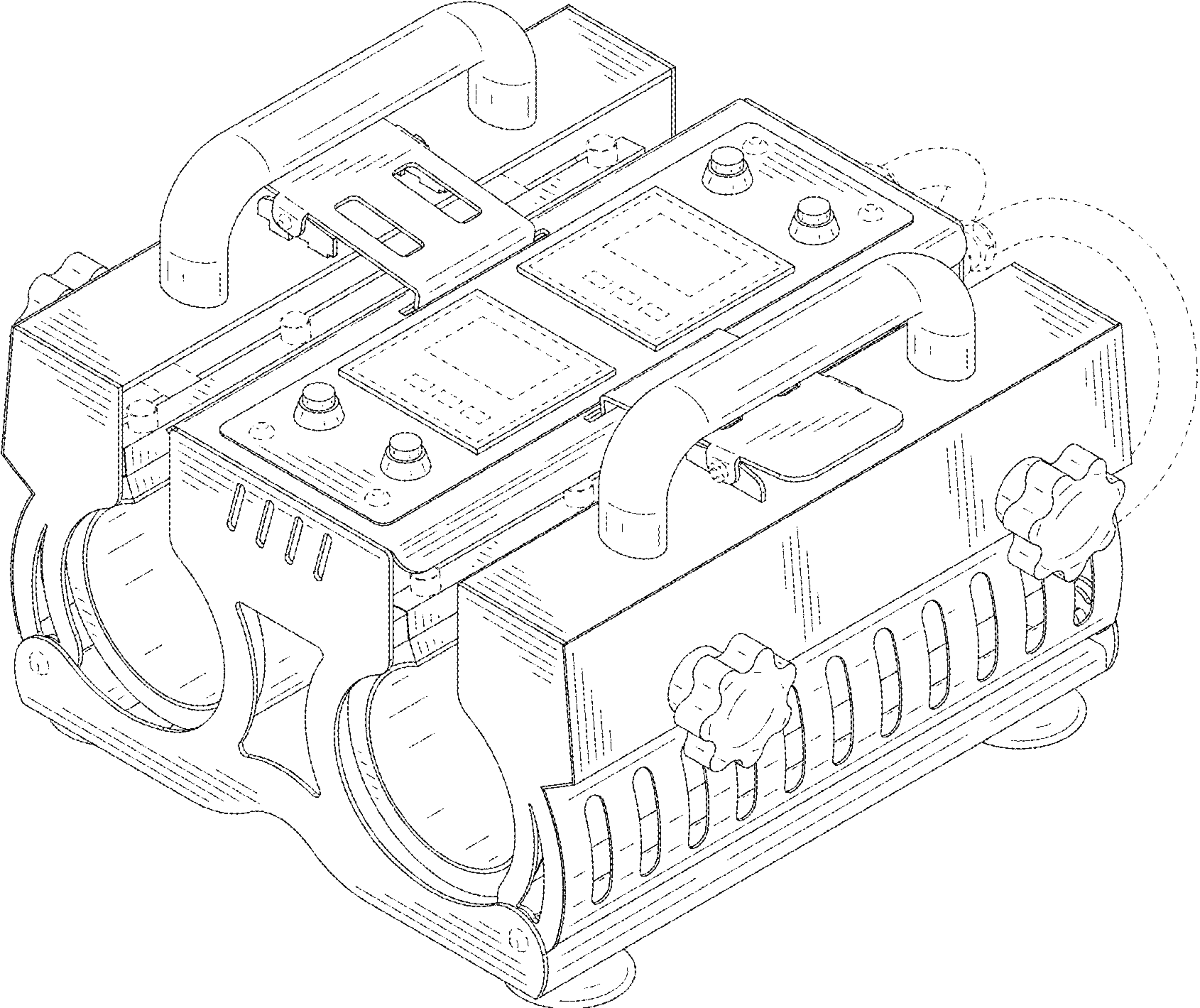


FIG. 1

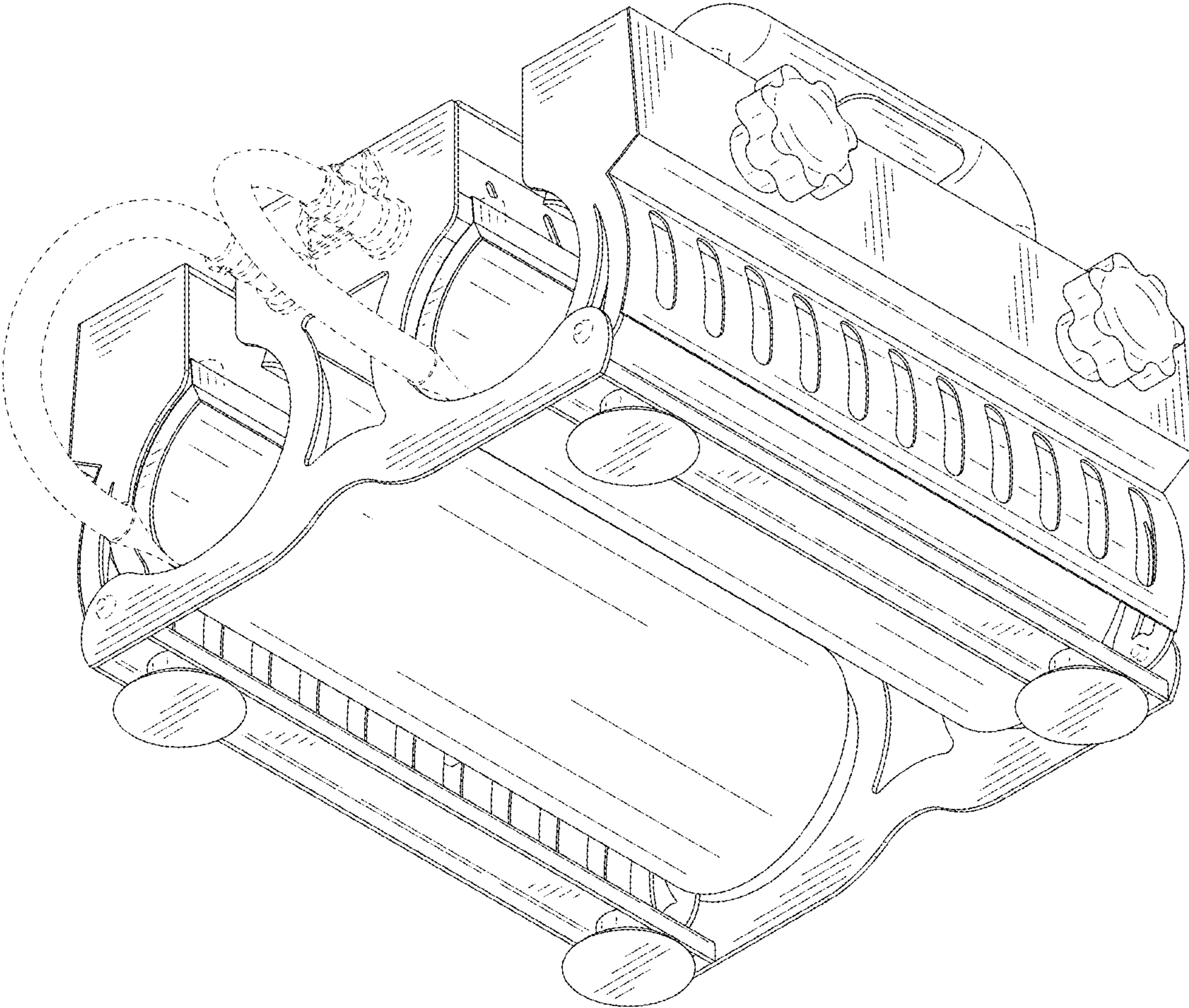


FIG. 2

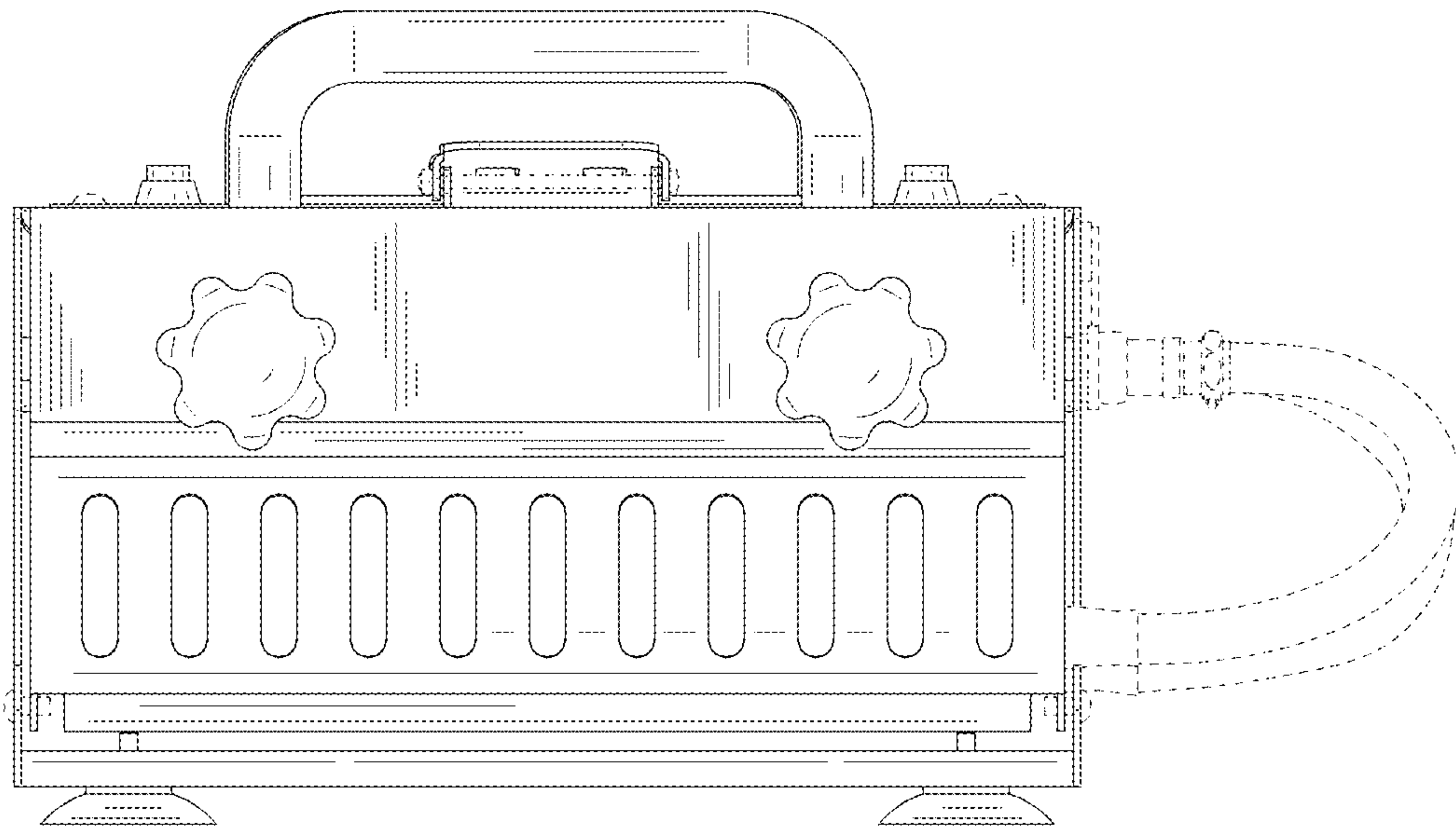


FIG. 3

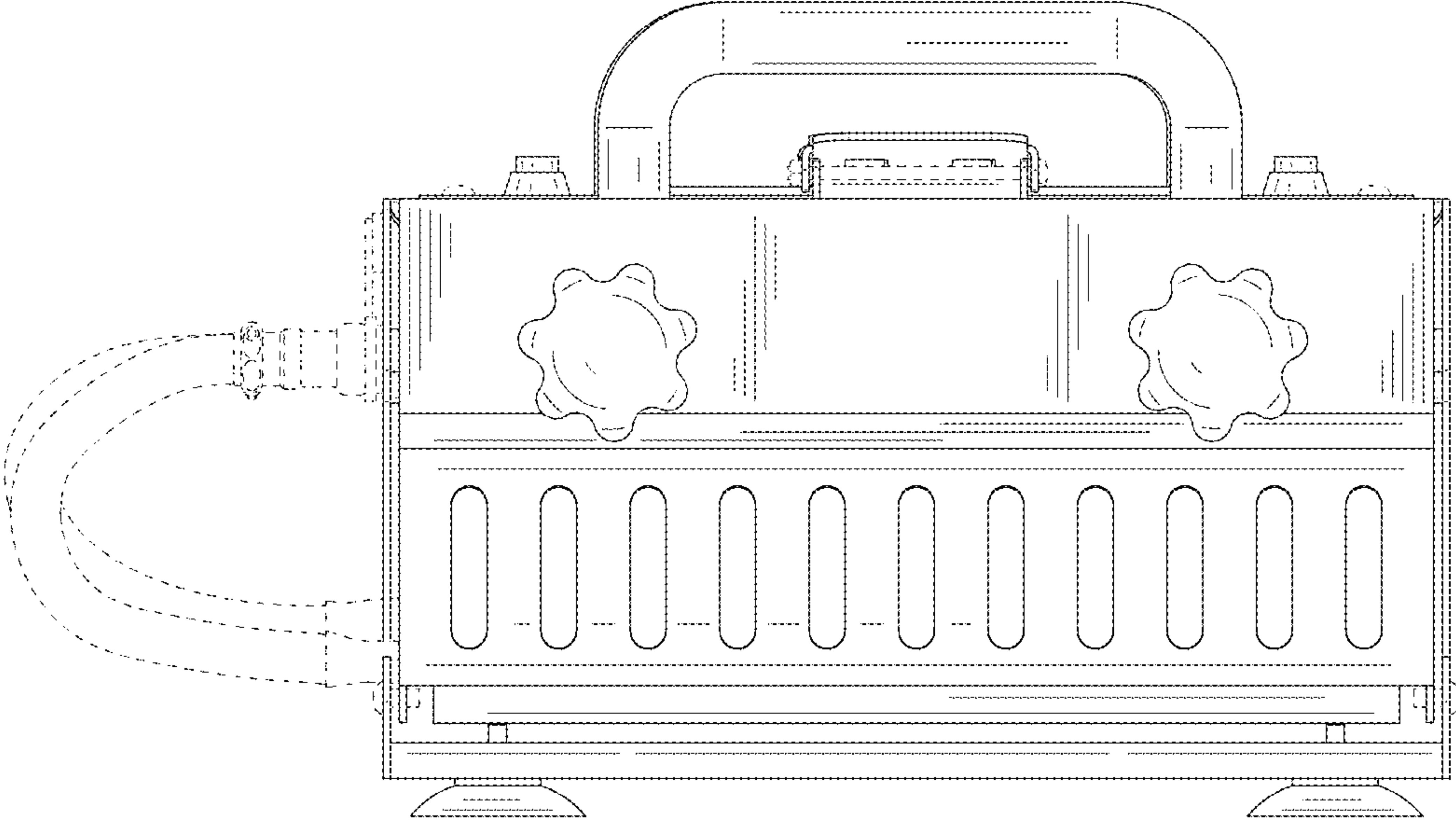


FIG. 4

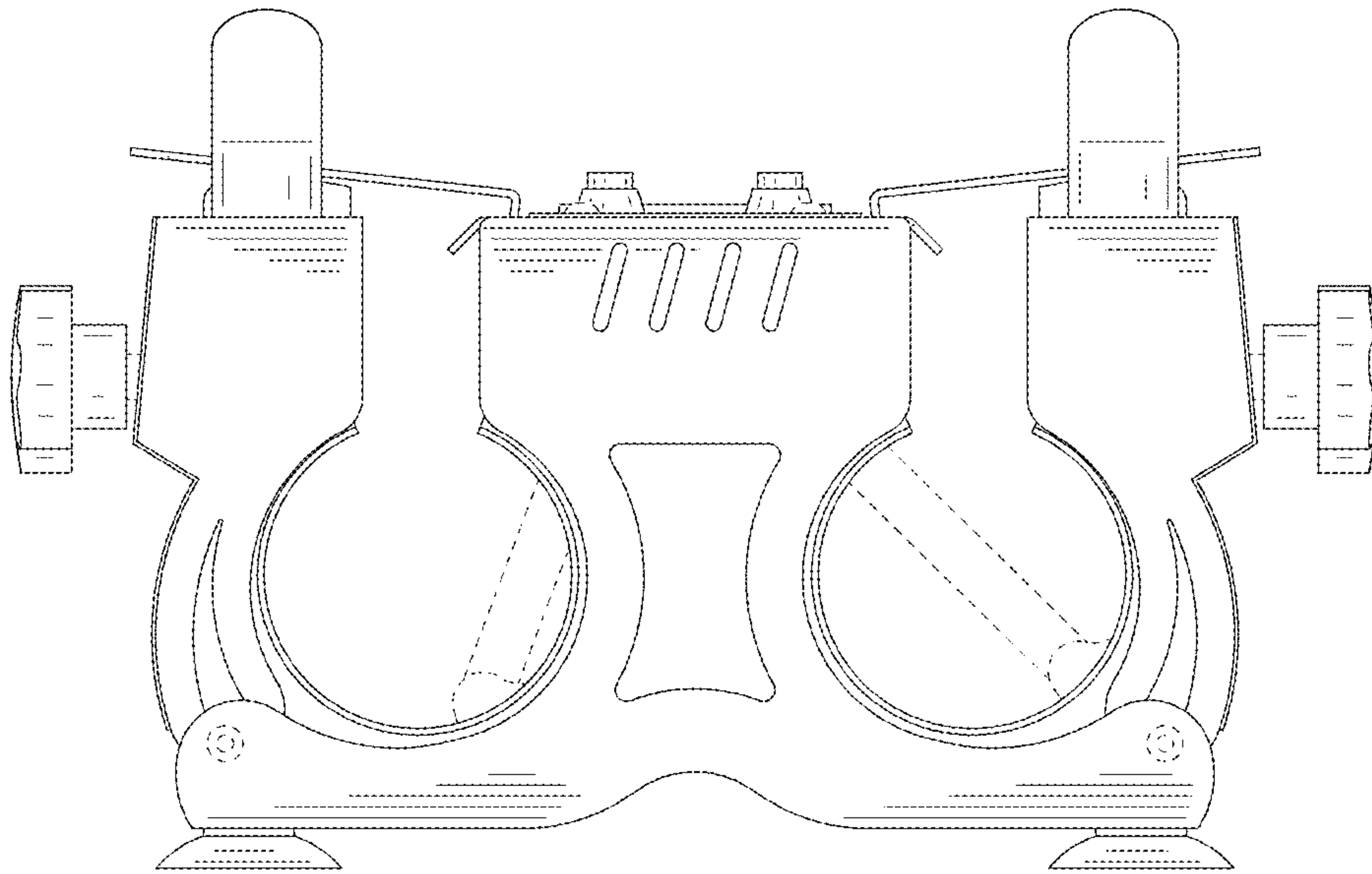


FIG. 5

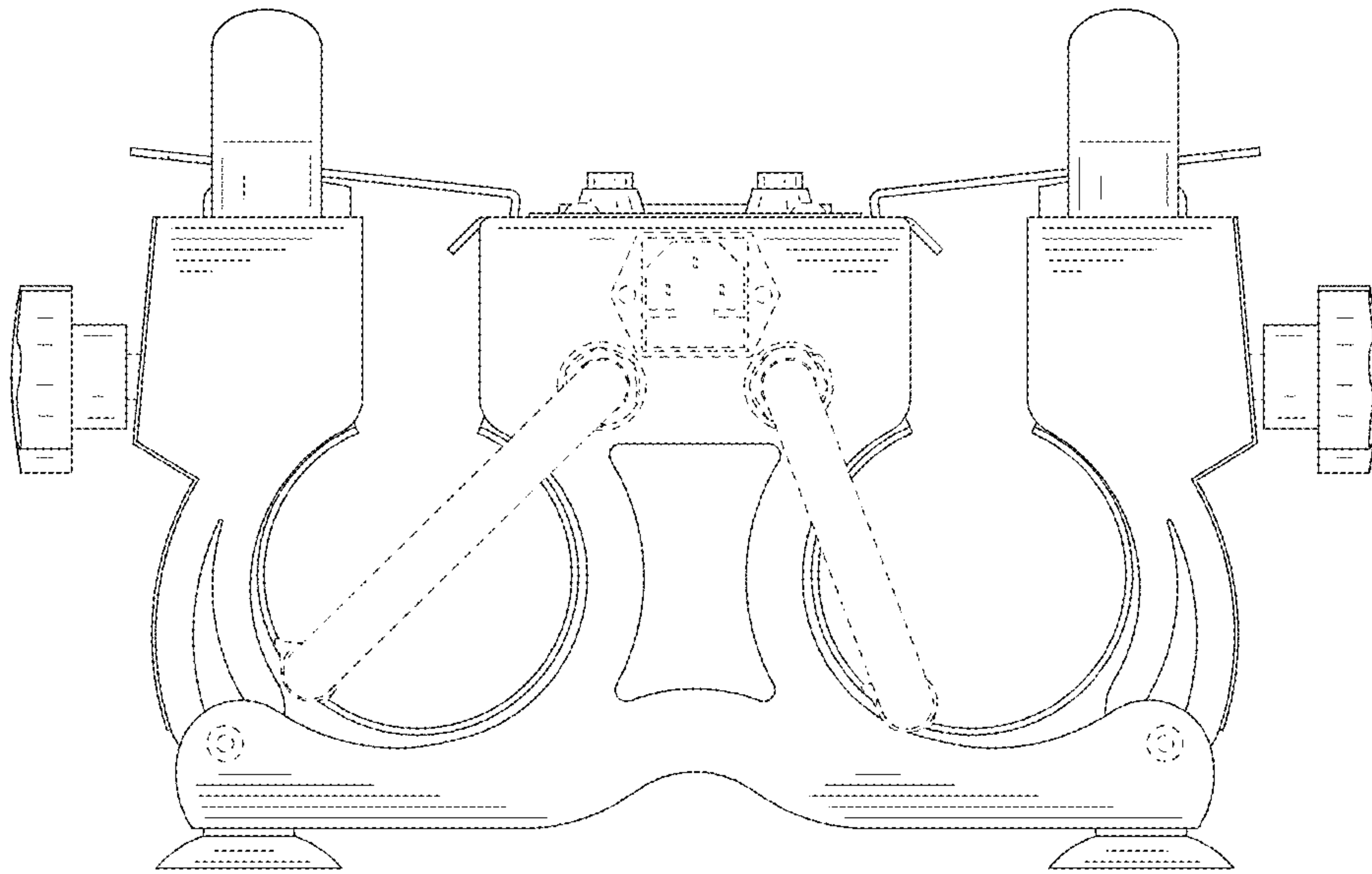


FIG. 6

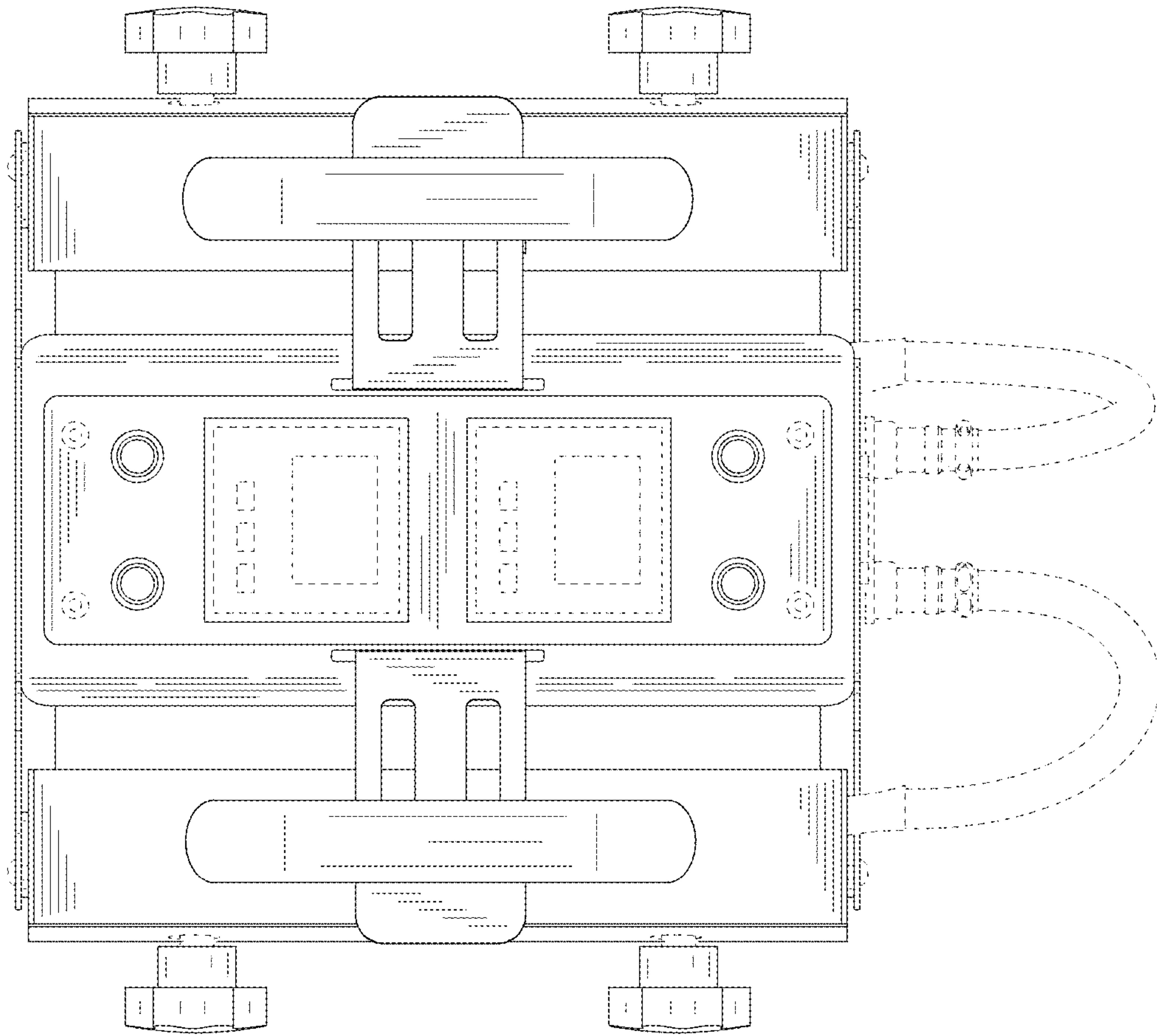


FIG. 7

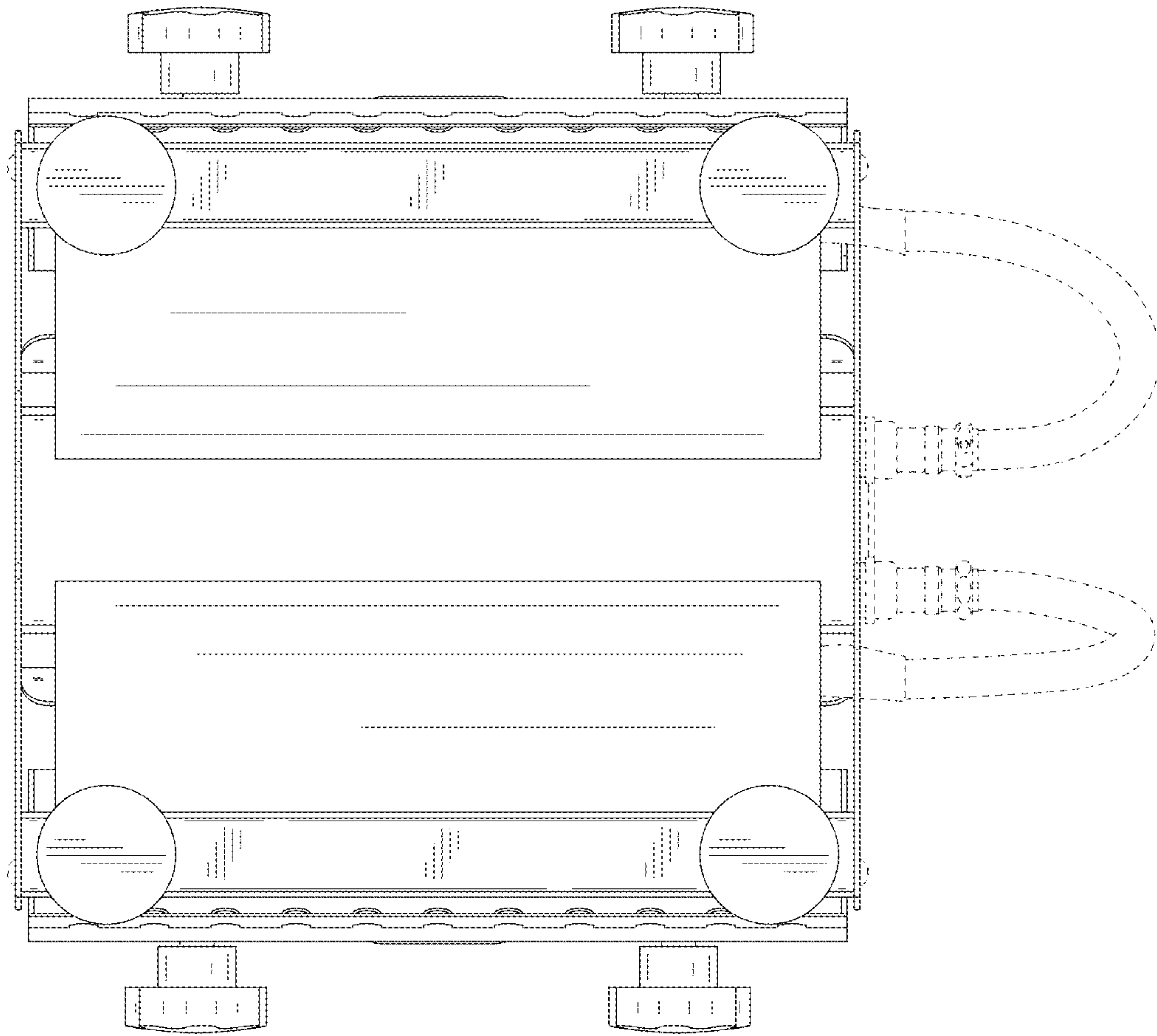


FIG. 8