



US00D979620S

(12) **United States Design Patent**
Ye

(10) **Patent No.:** **US D979,620 S**

(45) **Date of Patent:** **** Feb. 28, 2023**

- (54) **VACUUM SEALING MACHINE**
- (71) Applicant: **Guangdong Willing Technology Corporation, Guangdong (CN)**
- (72) Inventor: **Jingnong Ye, Huizhou (CN)**
- (73) Assignee: **GUANGDONG WILLING TECHNOLOGY CORPORATION, Guangdong (CN)**
- (**) Term: **15 Years**
- (21) Appl. No.: **29/795,909**
- (22) Filed: **Jun. 21, 2021**
- (51) **LOC (14) Cl.** **15-09**
- (52) **U.S. Cl.**
USPC **D15/146**
- (58) **Field of Classification Search**
USPC D15/145, 146; D18/50
CPC B23C 63/0065; B23C 63/0091; B23C 63/1018; B65B 31/046; B65B 31/047; B65B 31/048; B65B 51/10
See application file for complete search history.

- 7,124,557 B2 * 10/2006 Small B65B 31/046 53/510
- D536,355 S * 2/2007 Levsen D15/146
- 7,204,067 B2 * 4/2007 Baptista B65B 51/146 53/434
- 7,207,160 B2 * 4/2007 Baptista B65B 31/046 53/405
- 7,392,641 B2 * 7/2008 Abate B65B 31/046 53/374.9
- 7,540,127 B2 * 6/2009 Sung B65B 31/046 53/434
- D618,716 S * 6/2010 Huang D15/146
- D633,118 S * 2/2011 Beatty D15/146
- D663,331 S * 7/2012 Day D15/146
- D682,328 S * 5/2013 Day D15/146
- D682,329 S * 5/2013 Day D15/146
- D686,649 S * 7/2013 Zhou D15/146
- D694,794 S * 12/2013 Cumming D15/146
- D763,334 S * 8/2016 Yoshitomi D15/146
- D854,065 S * 7/2019 Owens D15/146

(Continued)

Primary Examiner — Patricia A Palasik

(74) *Attorney, Agent, or Firm* — Leong C. Lei

(57) **CLAIM**

The ornamental design for a vacuum sealing machine, as shown and described.

DESCRIPTION

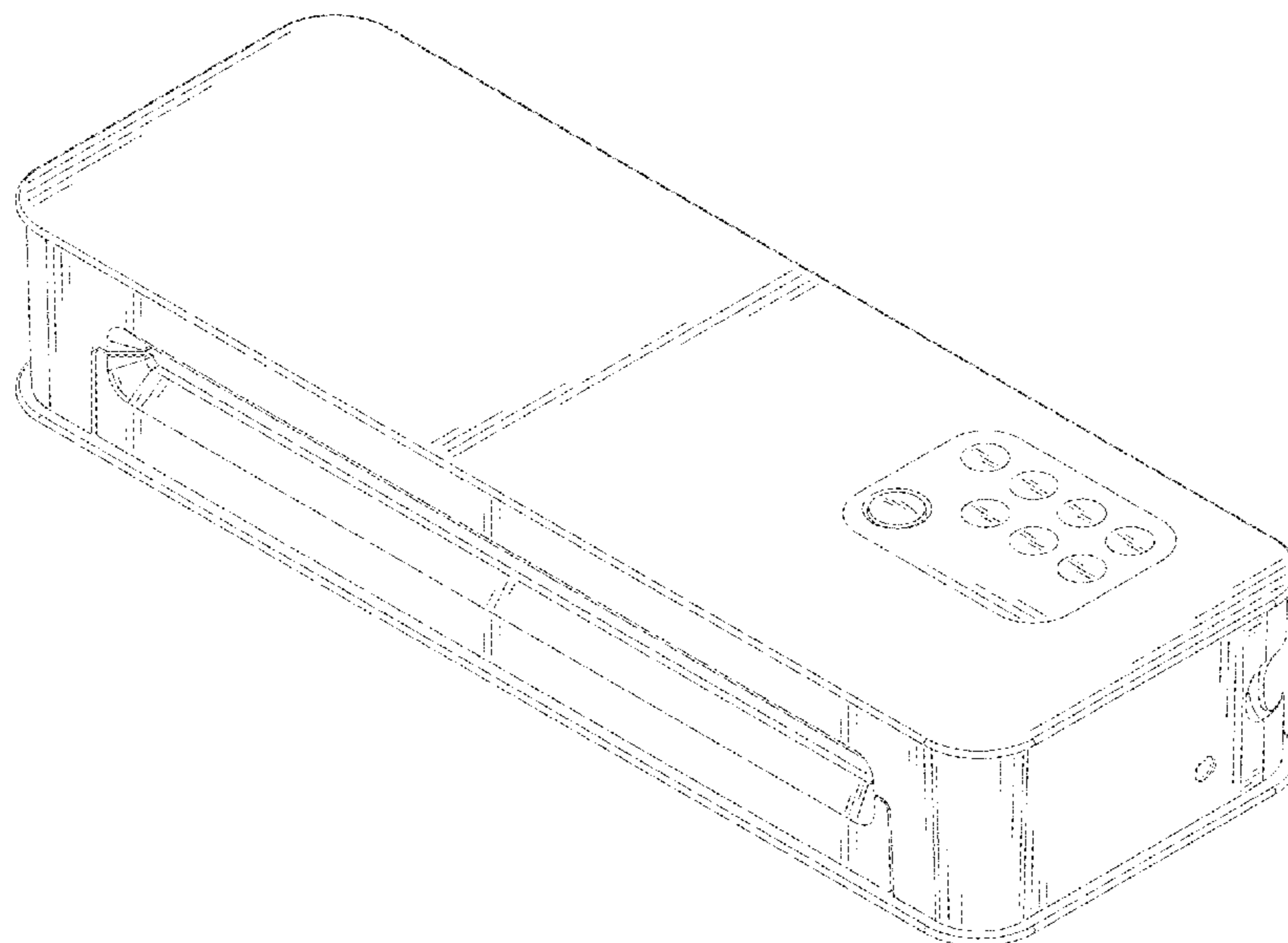
FIG. 1 is a perspective view of a vacuum sealing machine showing my new design;
 FIG. 2 is a front elevational view thereof;
 FIG. 3 is a rear elevational view thereof;
 FIG. 4 is a left side elevational view thereof;
 FIG. 5 is a right side elevational view thereof;
 FIG. 6 is a top plan view thereof;
 FIG. 7 is a bottom plan view thereof; and,
 FIG. 8 is another perspective view thereof.
 The portions of the vacuum sealing machine shown in broken lines form no part of the claimed design.

1 Claim, 8 Drawing Sheets

(56) **References Cited**

U.S. PATENT DOCUMENTS

- D215,568 S * 10/1969 Kellogg D15/146
- D249,526 S * 9/1978 Kishida D15/146
- 4,156,382 A * 5/1979 Baker B29C 66/861 156/510
- 4,561,925 A * 12/1985 Skerjanec B29C 66/861 156/379.6
- D301,238 S * 5/1989 Makihara D15/146
- 4,941,310 A * 7/1990 Kristen B65B 31/046 53/512
- D354,966 S * 1/1995 Lim D15/145
- D510,369 S * 10/2005 Presta D15/146
- 7,003,928 B2 * 2/2006 Patterson B65B 31/06 53/405



(56)

References Cited

U.S. PATENT DOCUMENTS

D866,624 S	*	11/2019	Choi	D15/146
D871,470 S	*	12/2019	Xu	D15/146
D910,100 S	*	2/2021	Qiu	D15/146
D910,726 S	*	2/2021	Sun	D15/146
D912,710 S	*	3/2021	Choi	D15/146
D936,717 S	*	11/2021	Chen	D15/146
2005/0022480 A1	*	2/2005	Brakes	B65B 31/00 53/512

* cited by examiner

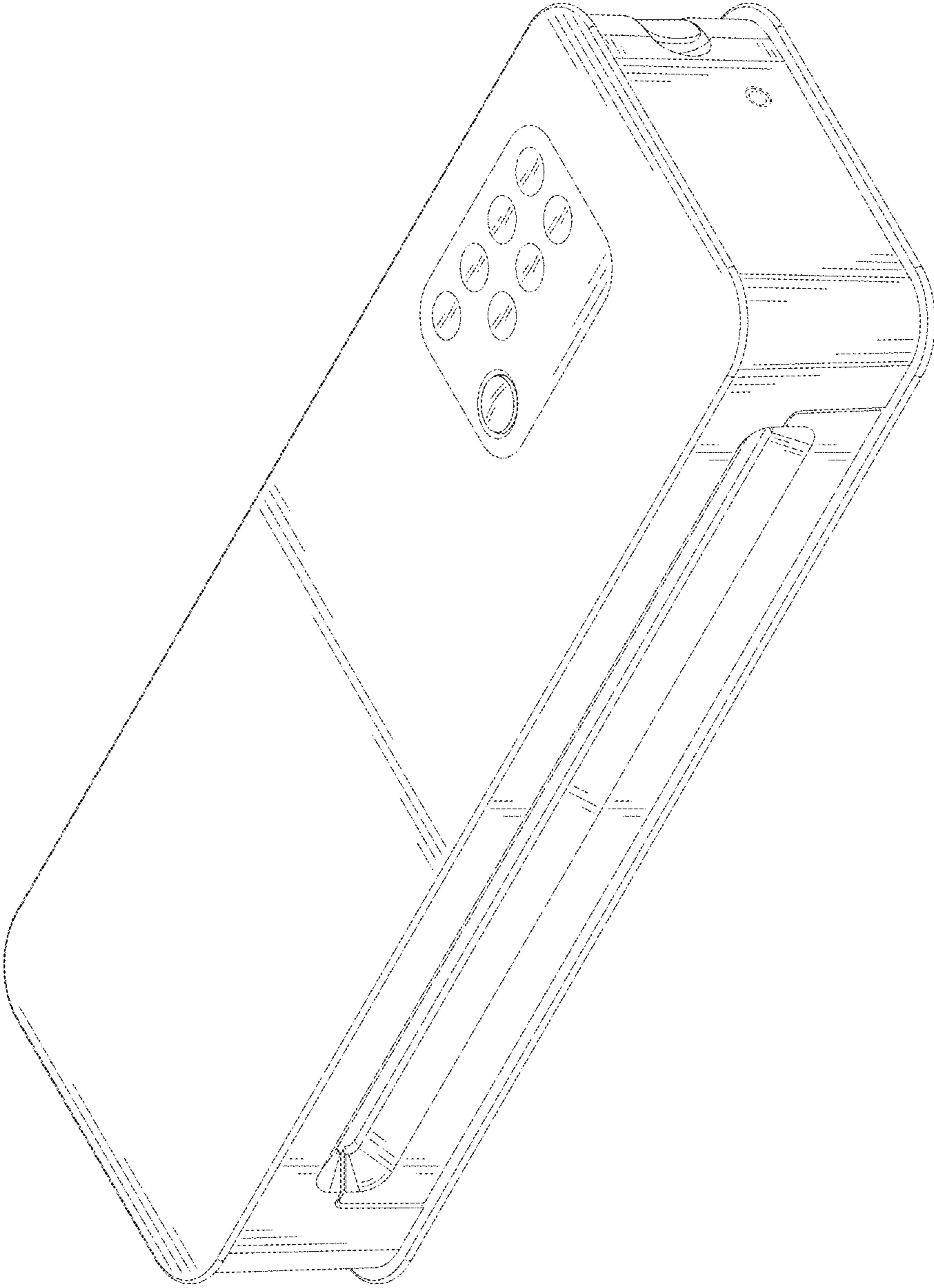


FIG. 1

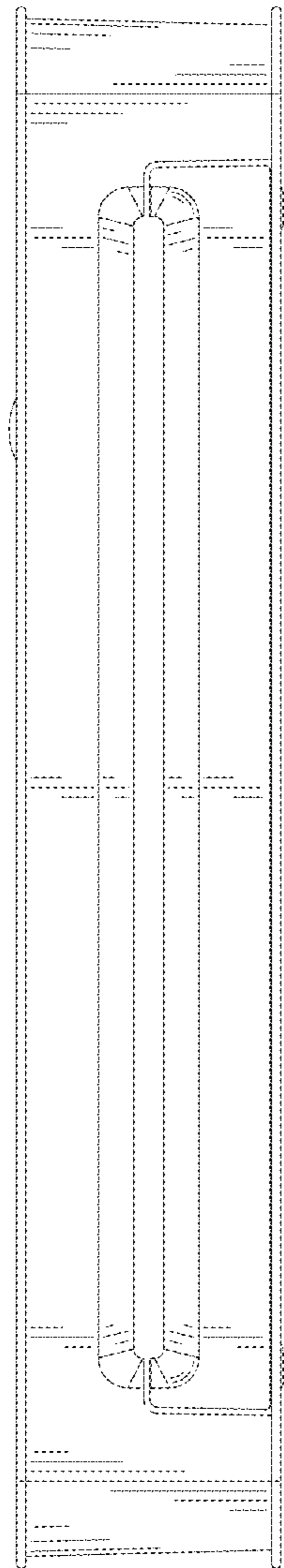


FIG. 2

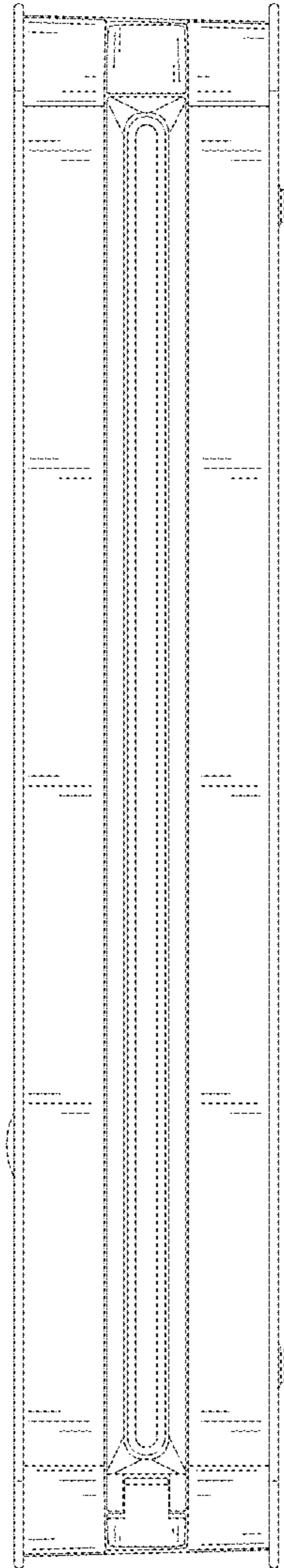


FIG. 3

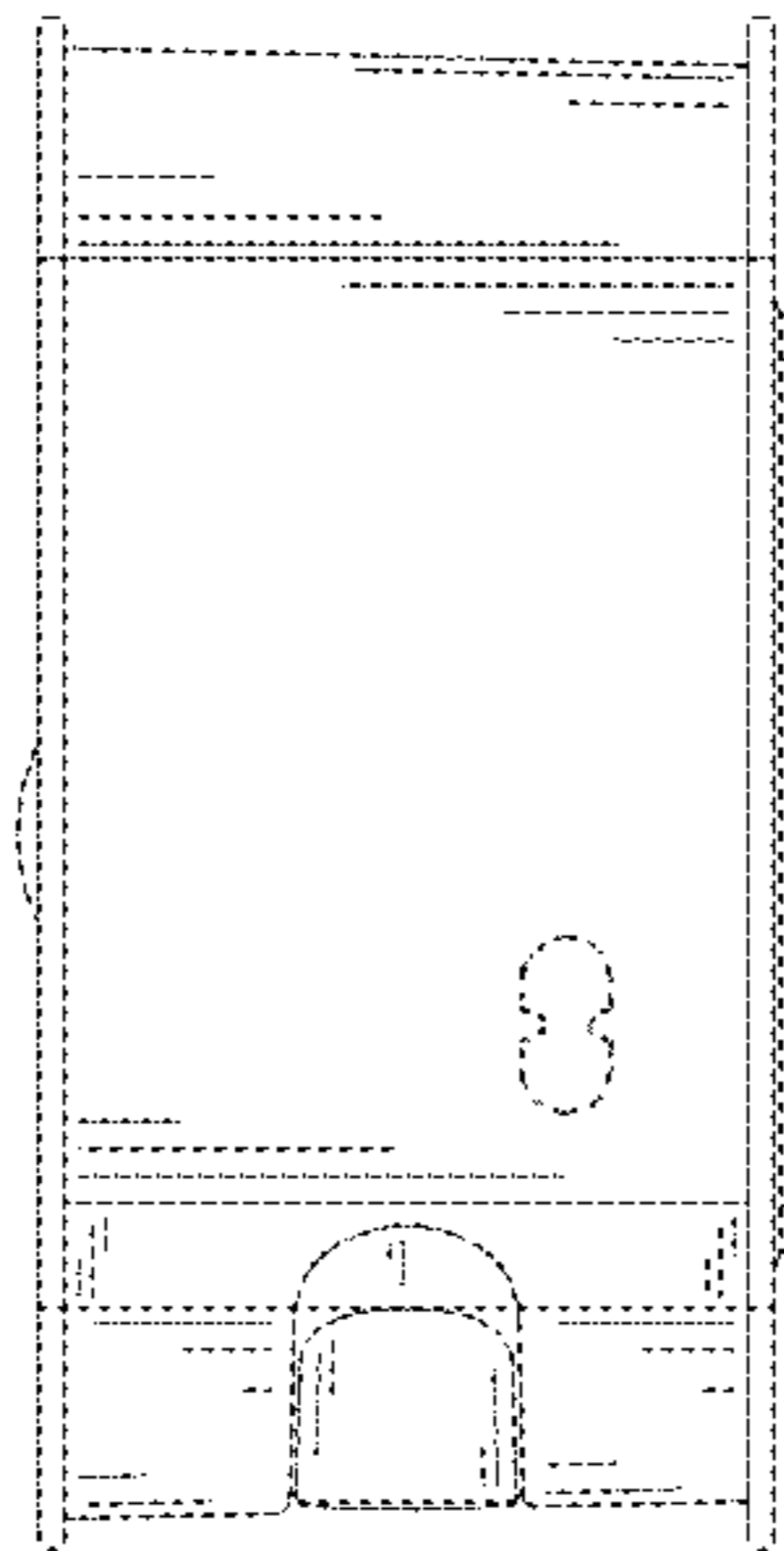


FIG. 4

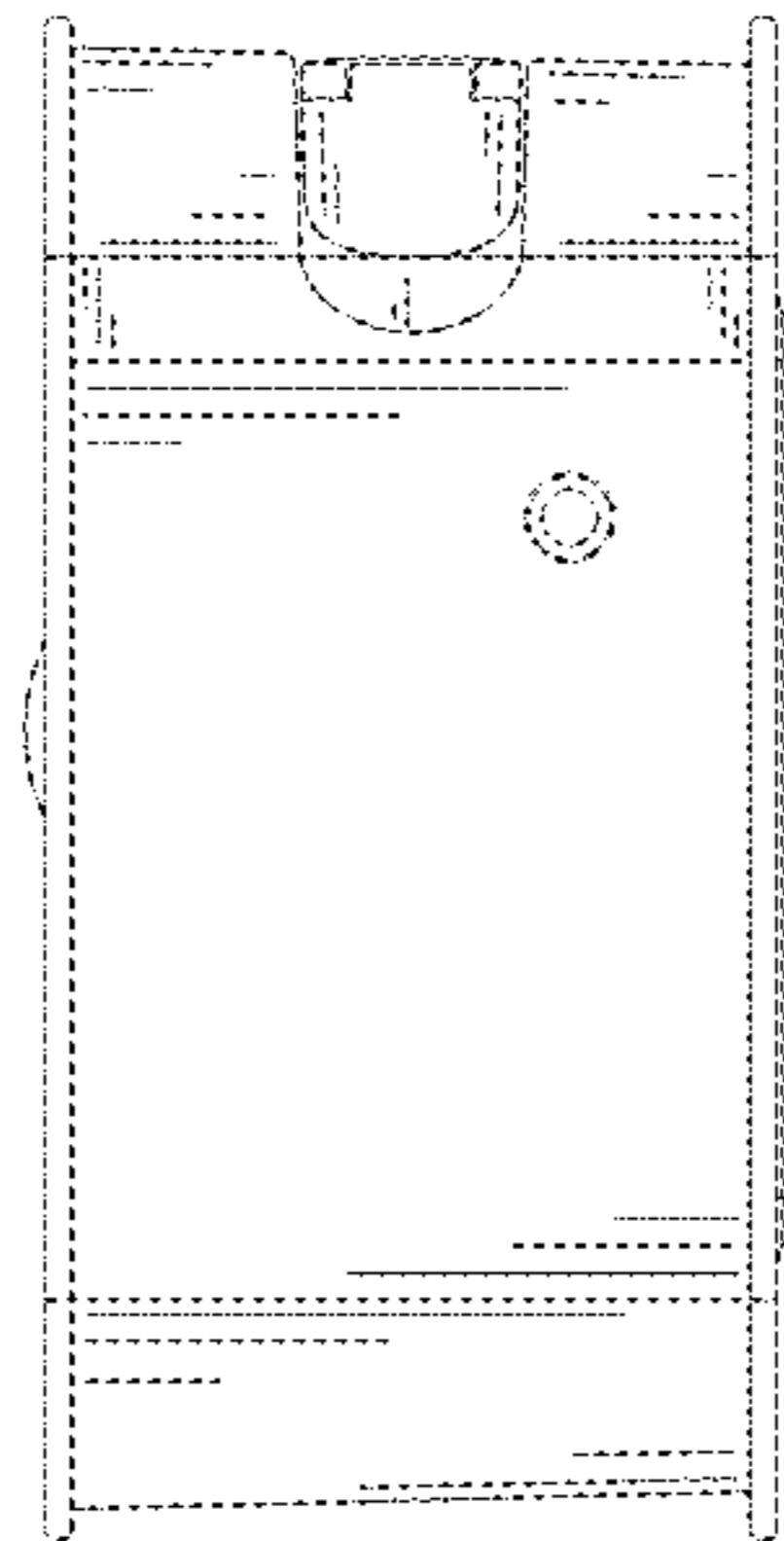


FIG. 5

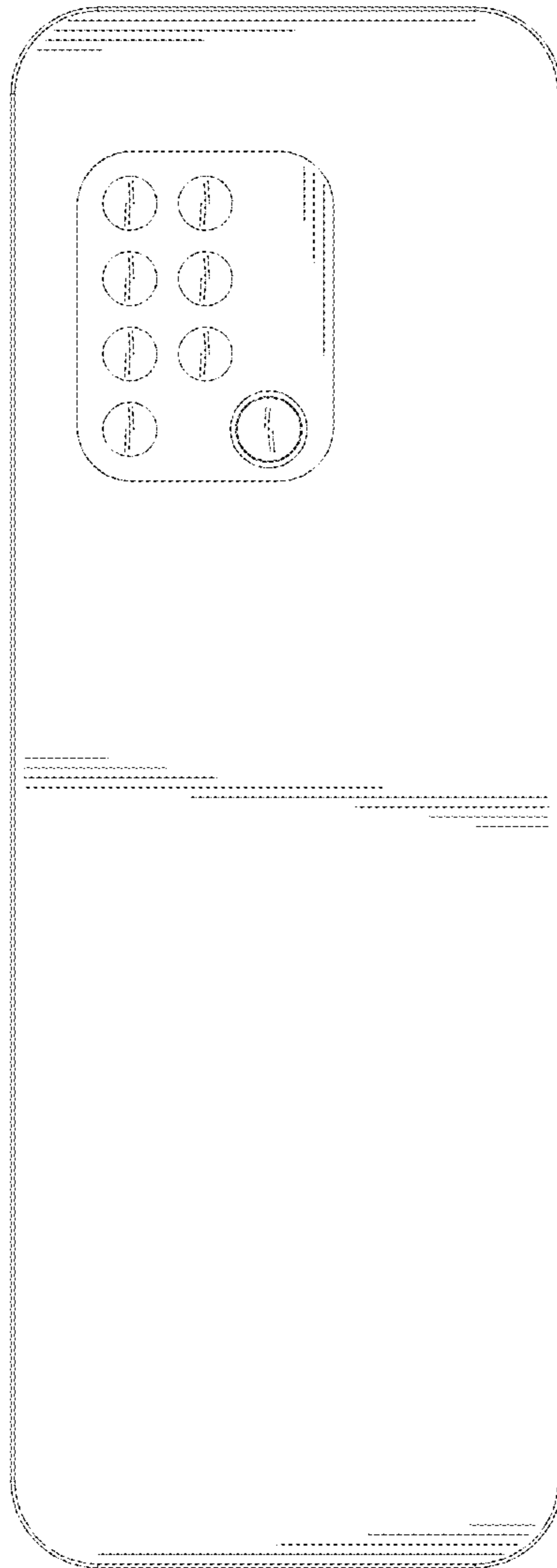


FIG. 6

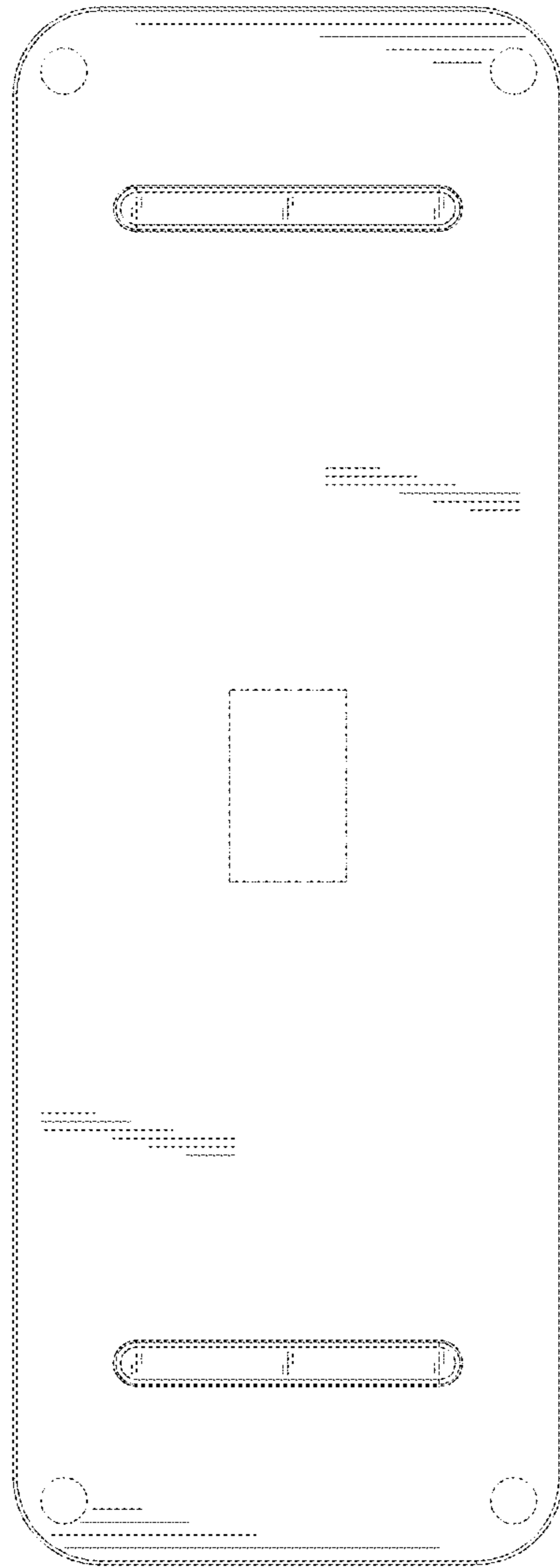


FIG. 7

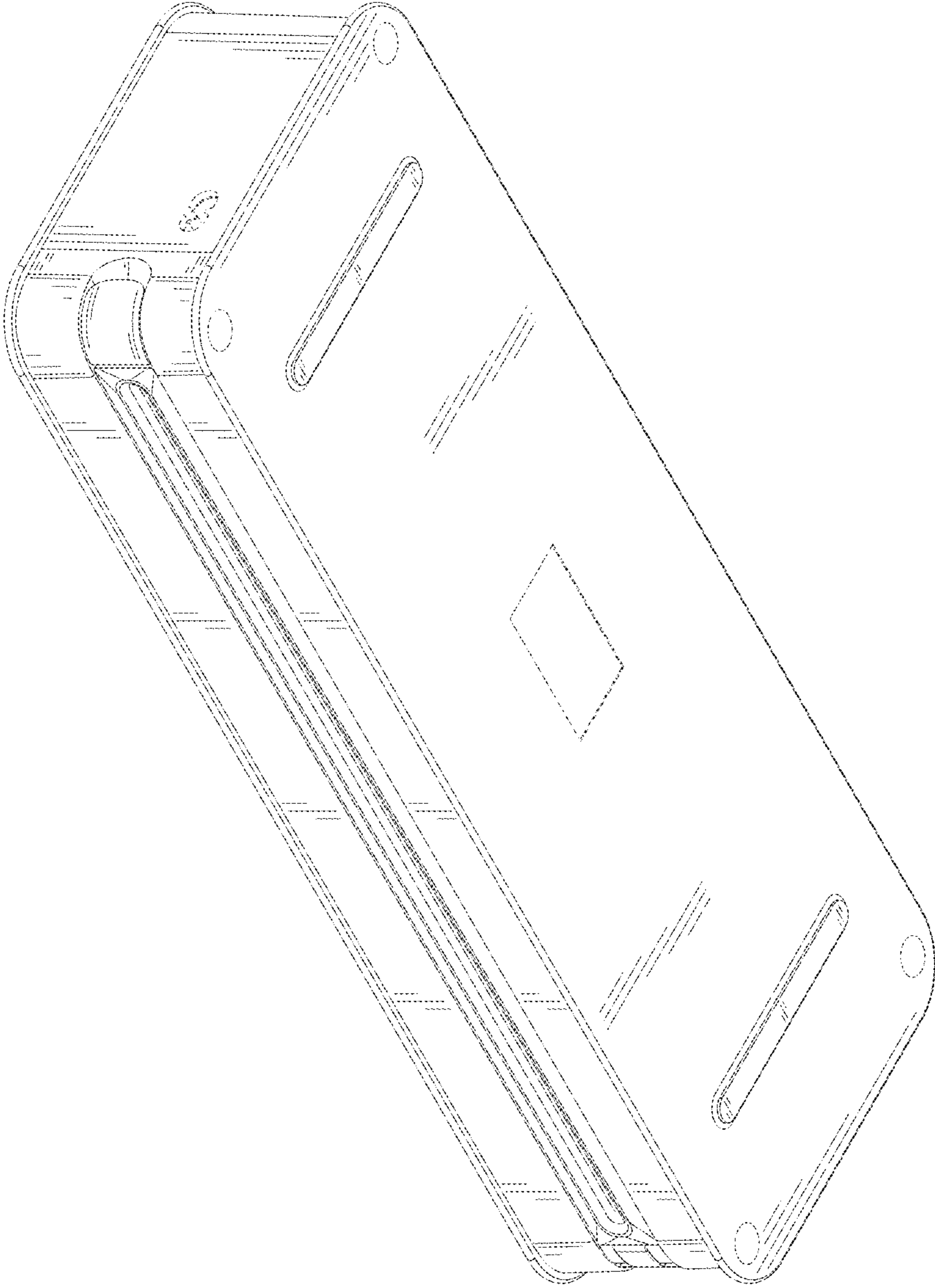


FIG. 8