



US00D979619S

(12) **United States Design Patent**  
**Wu et al.**

(10) **Patent No.:** **US D979,619 S**

(45) **Date of Patent:** **\*\* Feb. 28, 2023**

(54) **LABELING MACHINE**  
(71) Applicant: **ZHEJIANG YOULIAN MACHINERY MANUFACTURING CO., LTD., Wenzhou (CN)**  
(72) Inventors: **Shudong Wu, Wenzhou (CN); Oubin Wu, Wenzhou (CN)**  
(73) Assignee: **ZHEJIANG YOULIAN MACHINERY MANUFACTURING CO., LTD., Wenzhou (CN)**

D241,237 S \* 8/1976 Pettis ..... B65C 9/42  
D10/88  
D241,677 S \* 9/1976 Pacholok ..... B65C 9/1865  
D15/145  
D300,326 S \* 3/1989 Chilcoate ..... B65B 11/28  
D15/145  
D333,143 S \* 2/1993 West ..... B65C 1/042  
D15/145  
5,188,696 A \* 2/1993 Good, Jr. .... B65C 3/16  
156/542  
6,199,614 B1 \* 3/2001 Snyder ..... B65C 9/42  
156/496

(Continued)

(\*\*) Term: **15 Years**  
(21) Appl. No.: **29/796,384**  
(22) Filed: **Jun. 24, 2021**  
(51) **LOC (14) Cl.** ..... **15-09**  
(52) **U.S. Cl.**  
USPC ..... **D15/145; D15/122**  
(58) **Field of Classification Search**  
USPC ..... D15/122, 145, 146, 199  
CPC ..... B65C 1/04; B65C 1/045; B65C 9/1884;  
B65C 9/34  
See application file for complete search history.

**FOREIGN PATENT DOCUMENTS**

WO WO-9509772 A1 \* 4/1995 ..... B65C 1/02  
WO WO-2012155290 A1 \* 11/2012 ..... B29C 63/423  
WO WO-2015140570 A1 \* 9/2015 ..... B65C 1/04

*Primary Examiner* — Patricia A Palasik

(57) **CLAIM**

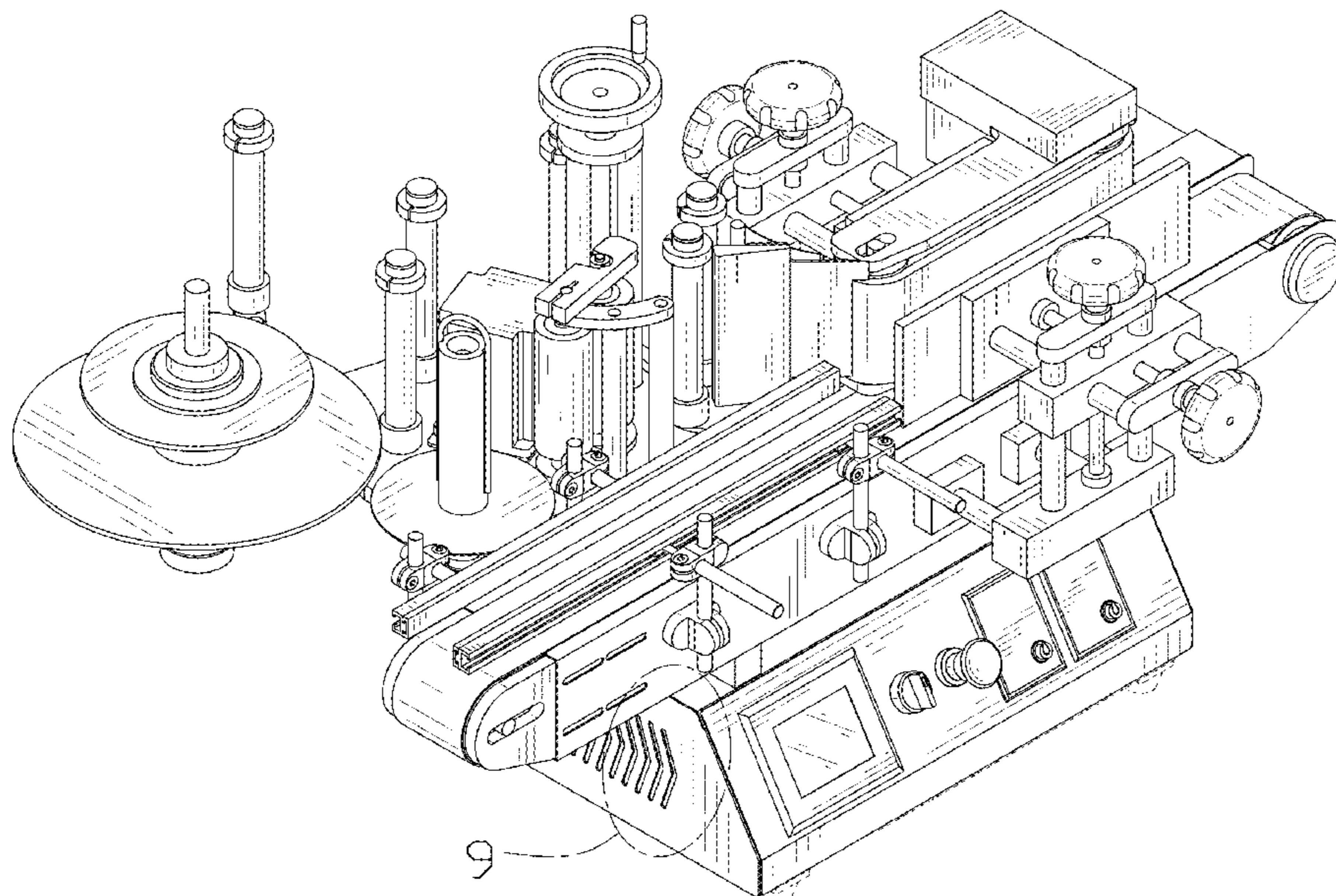
The ornamental design for a labeling machine, as shown and described.

**DESCRIPTION**

FIG. 1 is a perspective view of a labeling machine showing my new design;  
FIG. 2 is another perspective view thereof;  
FIG. 3 is a front elevational view thereof;  
FIG. 4 is a rear elevational view thereof;  
FIG. 5 is a left side elevational view thereof;  
FIG. 6 is a right side elevational view thereof;  
FIG. 7 is a top plan view thereof;  
FIG. 8 is a bottom plan view thereof;  
FIG. 9 is an enlarged view of portion 9 shown in FIG. 1; and,  
FIG. 10 is an enlarged view of portion 10 shown in FIG. 2.  
The broken lines in the drawings depict portions of the labeling machine that form no part of the claimed design.

(56) **References Cited**  
**U.S. PATENT DOCUMENTS**  
1,402,262 A \* 1/1922 Smith ..... B65C 1/042  
156/487  
D140,596 S \* 3/1945 Carter ..... D15/145  
3,194,710 A \* 7/1965 Stremke ..... B65C 9/02  
53/131.2  
3,284,271 A \* 11/1966 Parks ..... G01G 23/18  
156/566  
3,822,163 A \* 7/1974 Bilotti ..... B65B 11/02  
156/484  
3,904,466 A \* 9/1975 Jones ..... B65C 1/047  
156/364

**1 Claim, 10 Drawing Sheets**



(56)

**References Cited**

U.S. PATENT DOCUMENTS

D629,432 S \* 12/2010 Herzog ..... G01G 23/18  
D15/145  
10,507,947 B2 \* 12/2019 Pfeffer ..... B65C 9/1865  
2002/0096260 A1 \* 7/2002 Yang ..... B65C 9/06  
156/566  
2002/0096261 A1 \* 7/2002 Yang ..... B65C 9/46  
156/352  
2002/0096264 A1 \* 7/2002 Yang ..... B65C 3/14  
156/64  
2006/0065371 A1 \* 3/2006 Grabowski ..... B65C 9/1869  
156/542  
2021/0039821 A1 \* 2/2021 Harvey ..... B65C 9/1892

\* cited by examiner

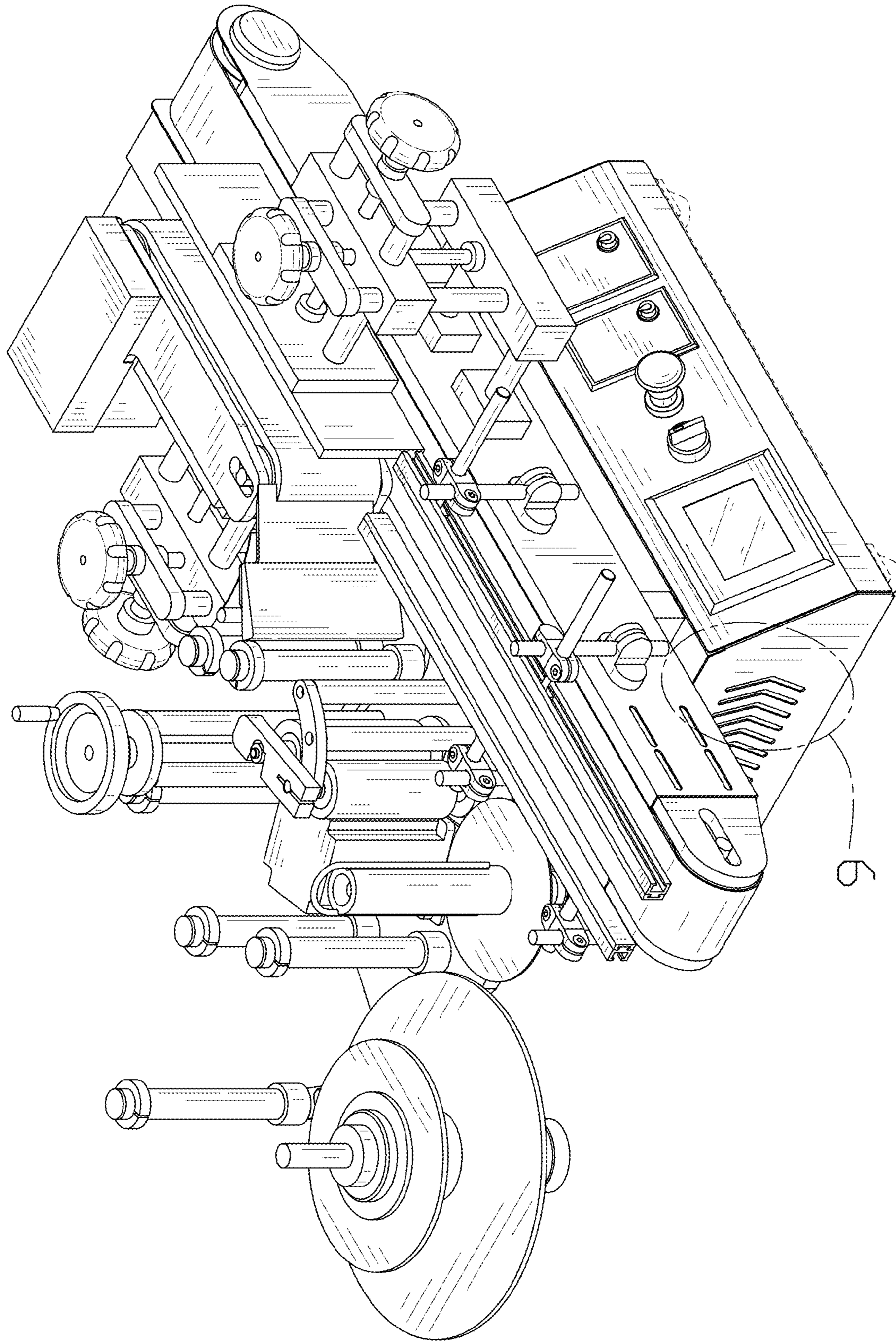


FIG. 1

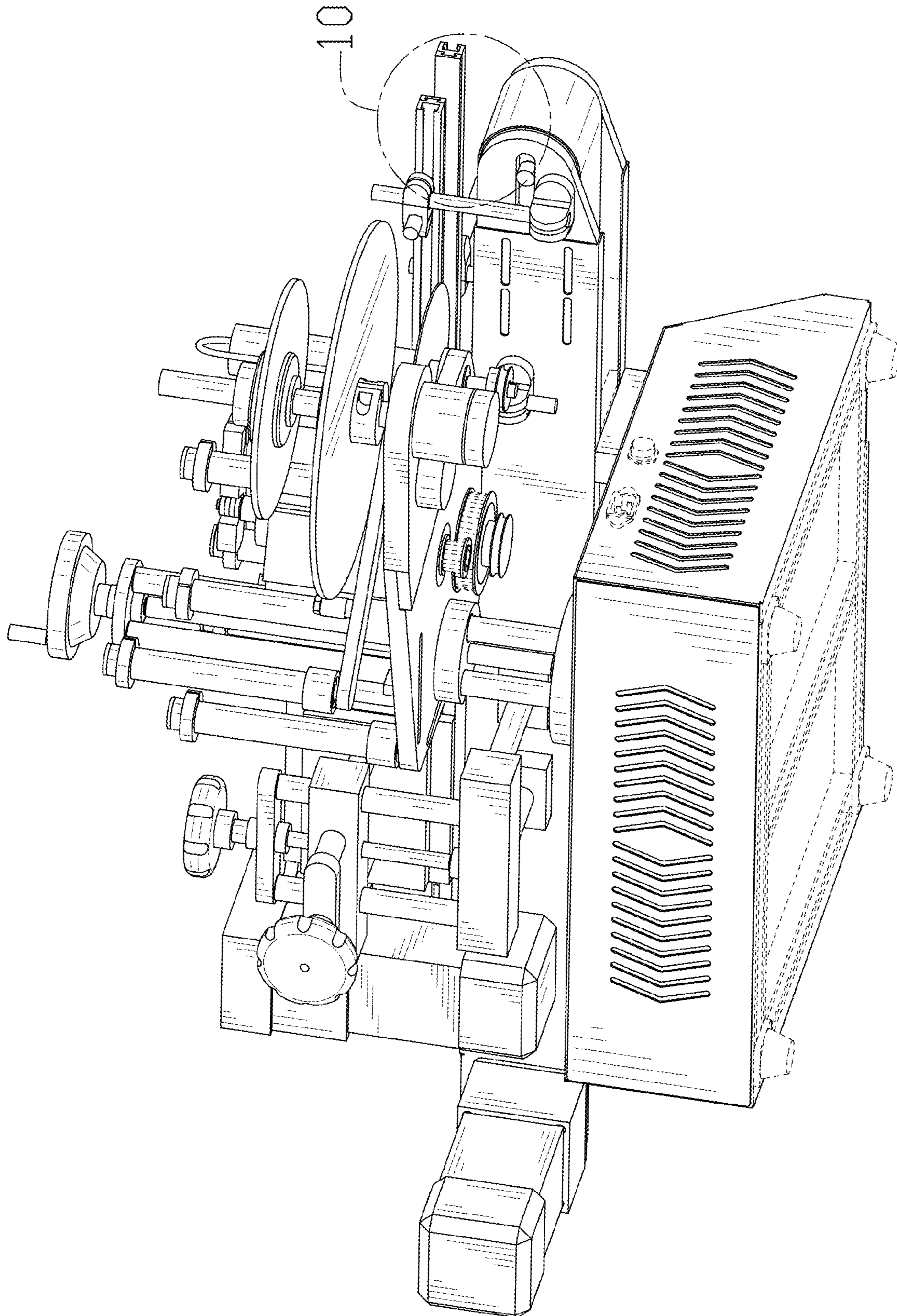


FIG. 2

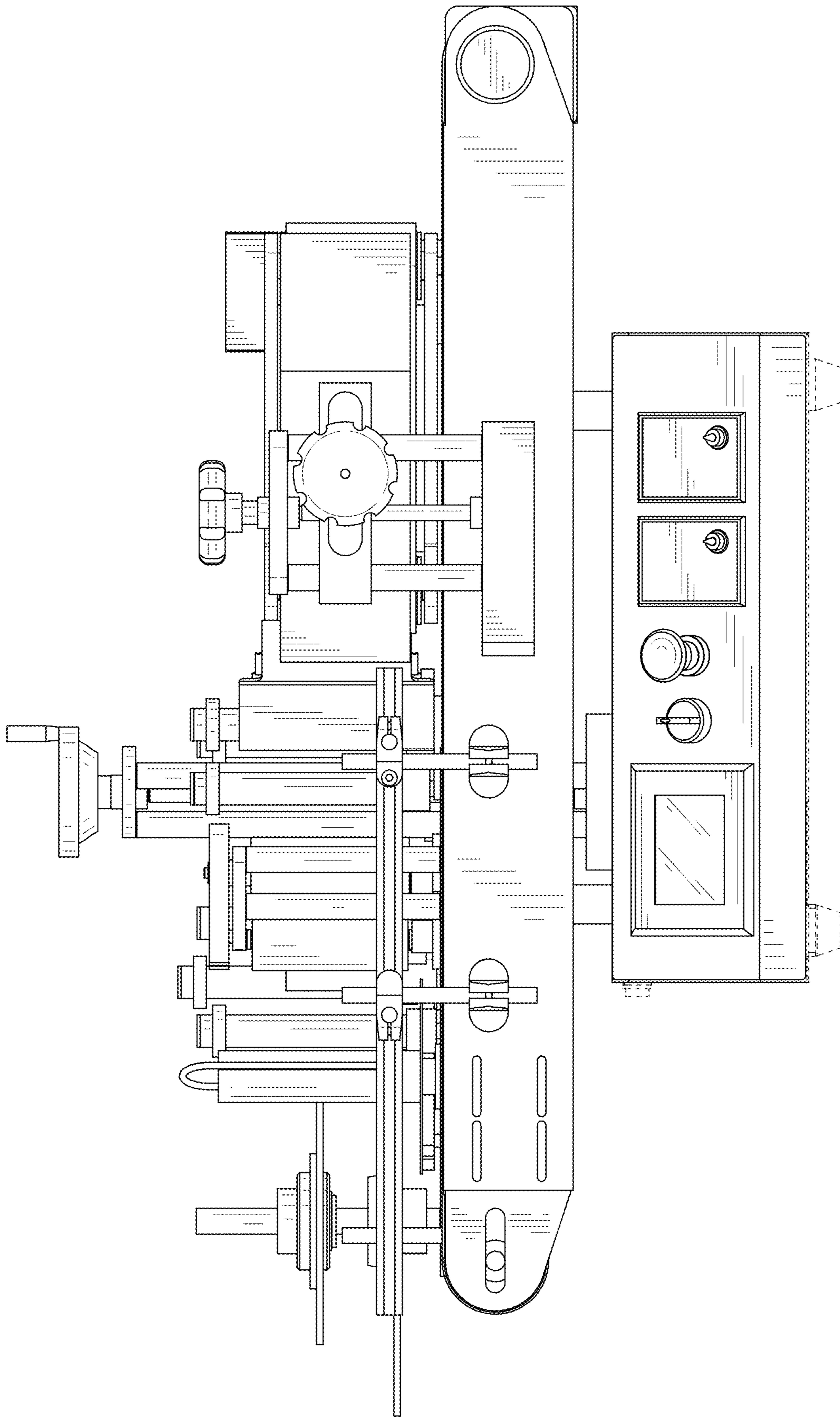


FIG. 3

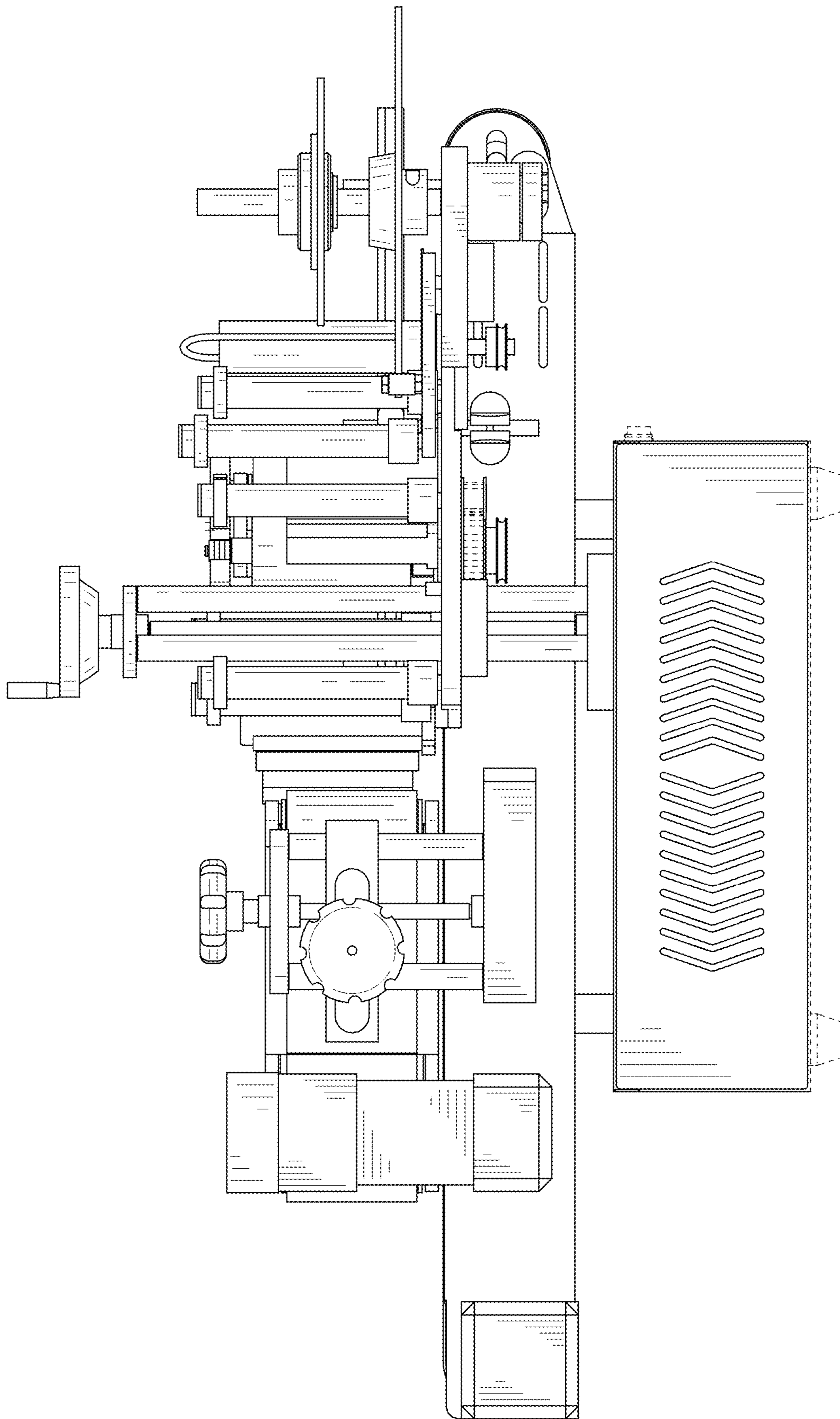


FIG. 4

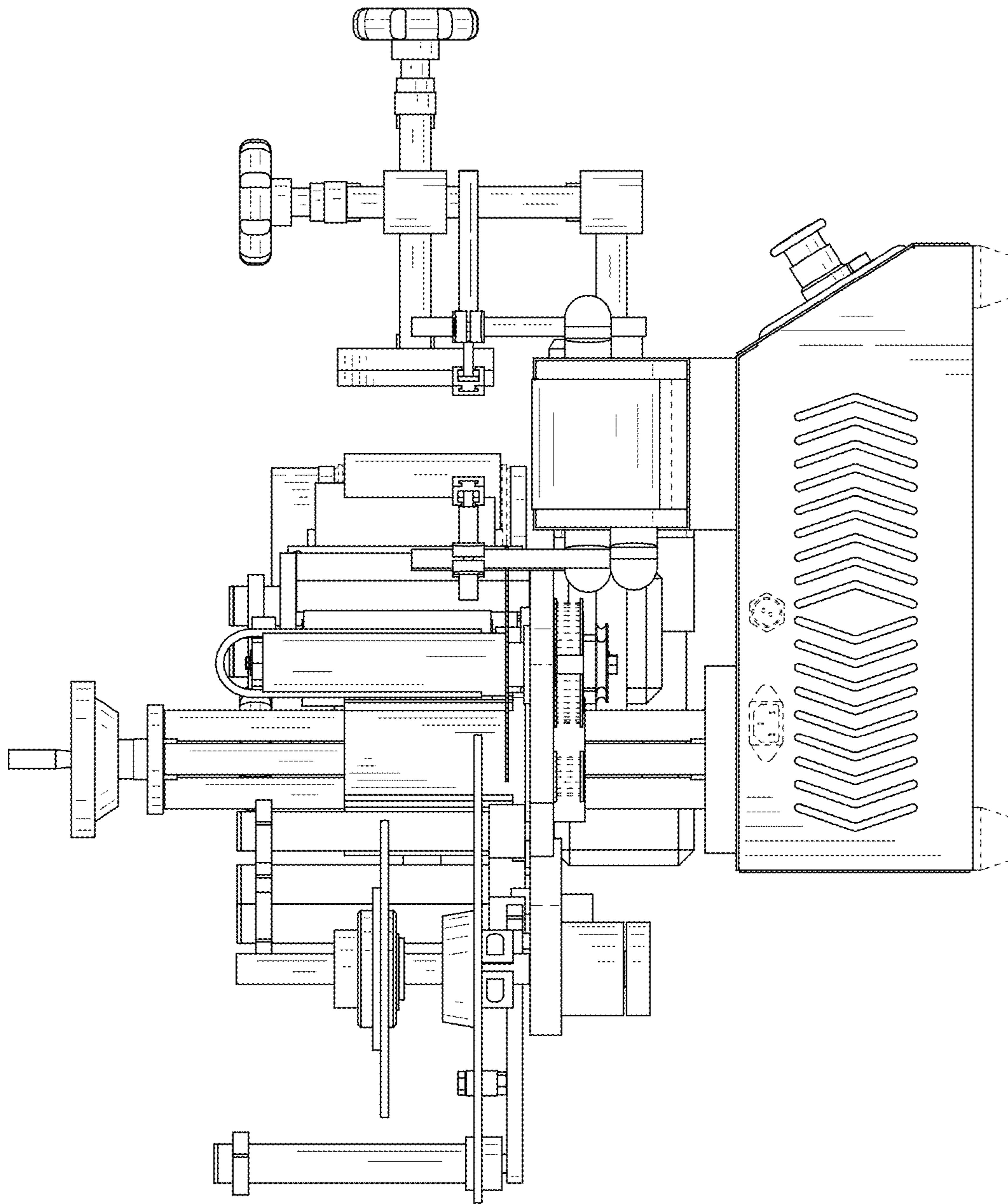


FIG. 5

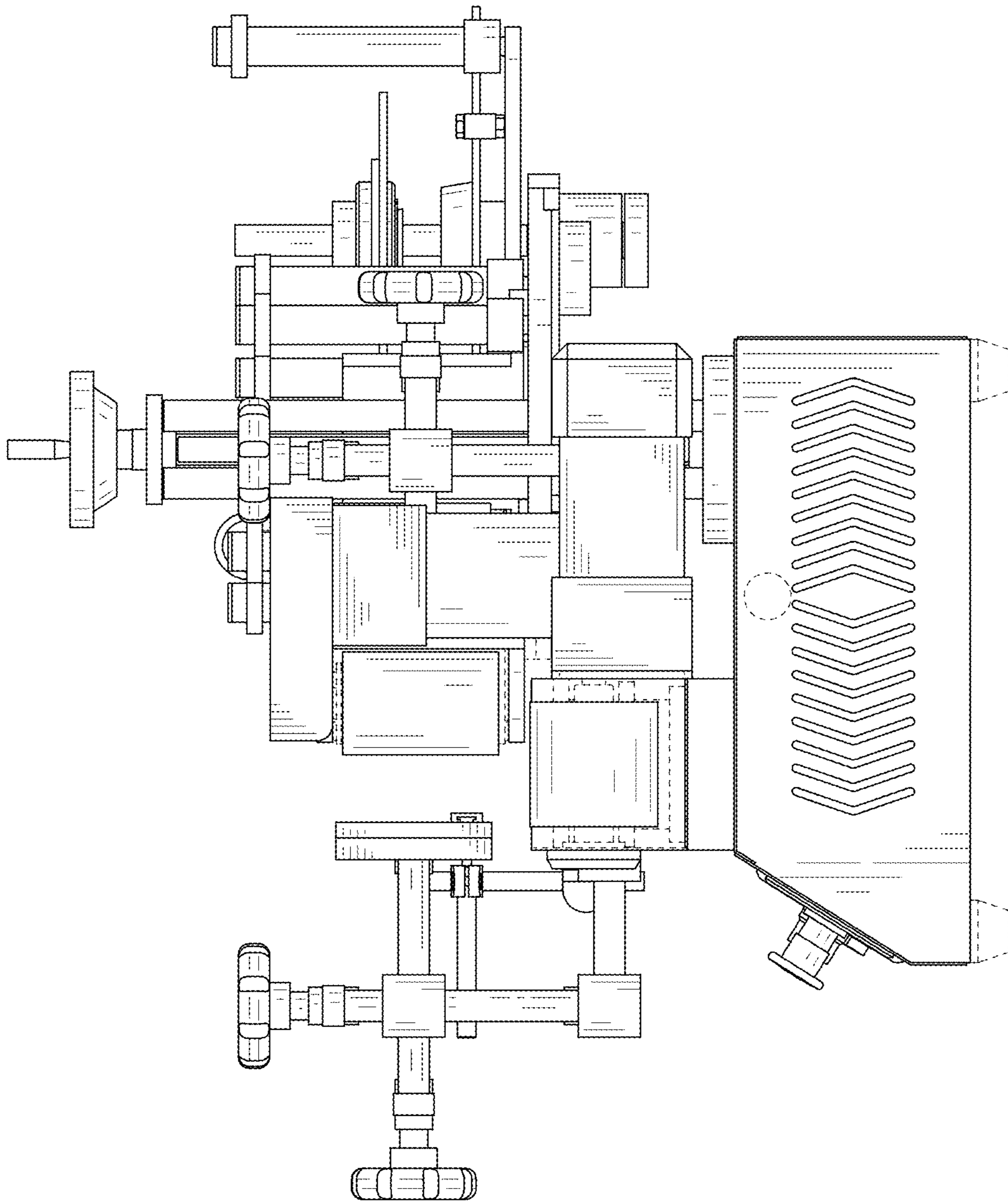


FIG. 6



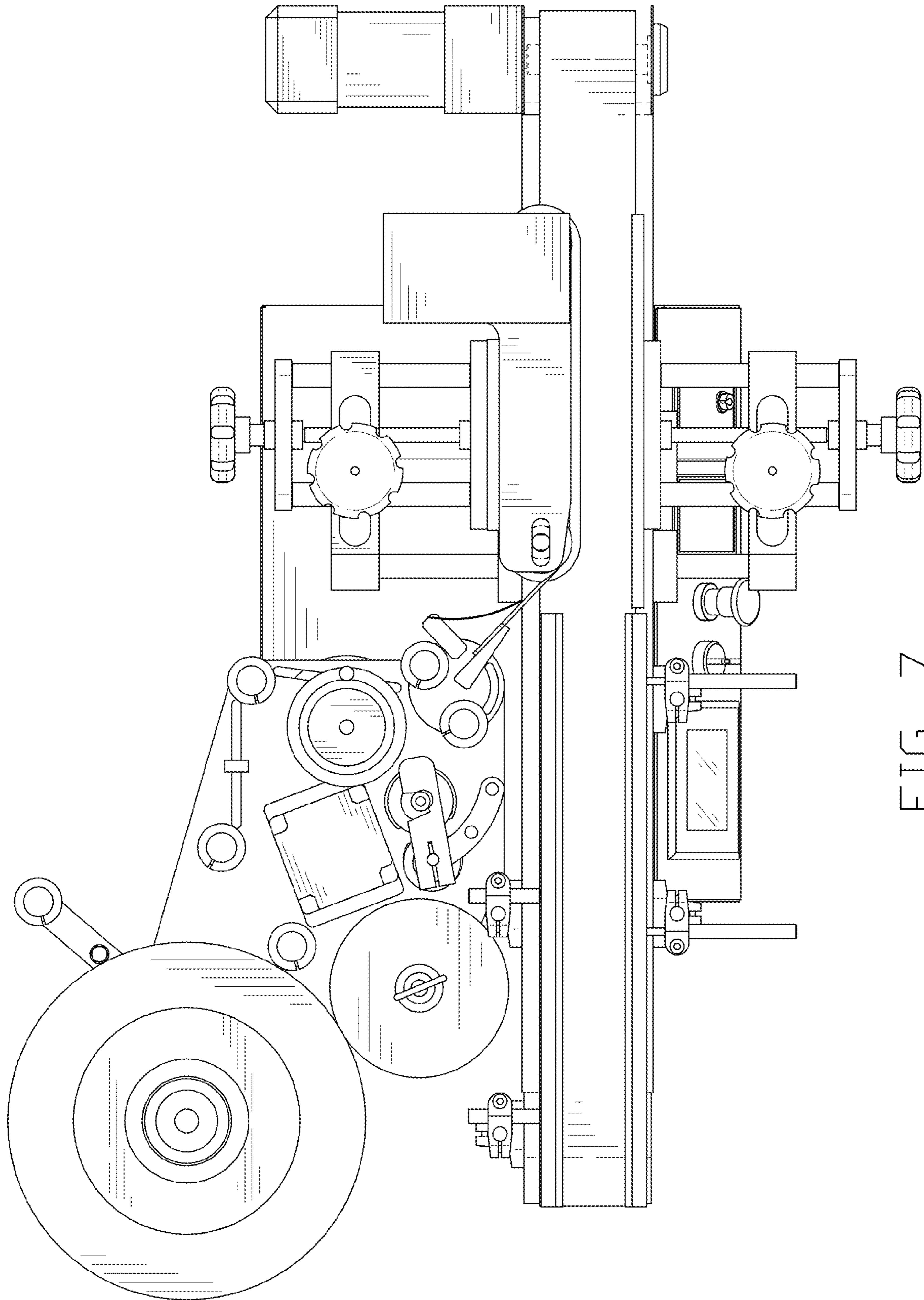


FIG. 7

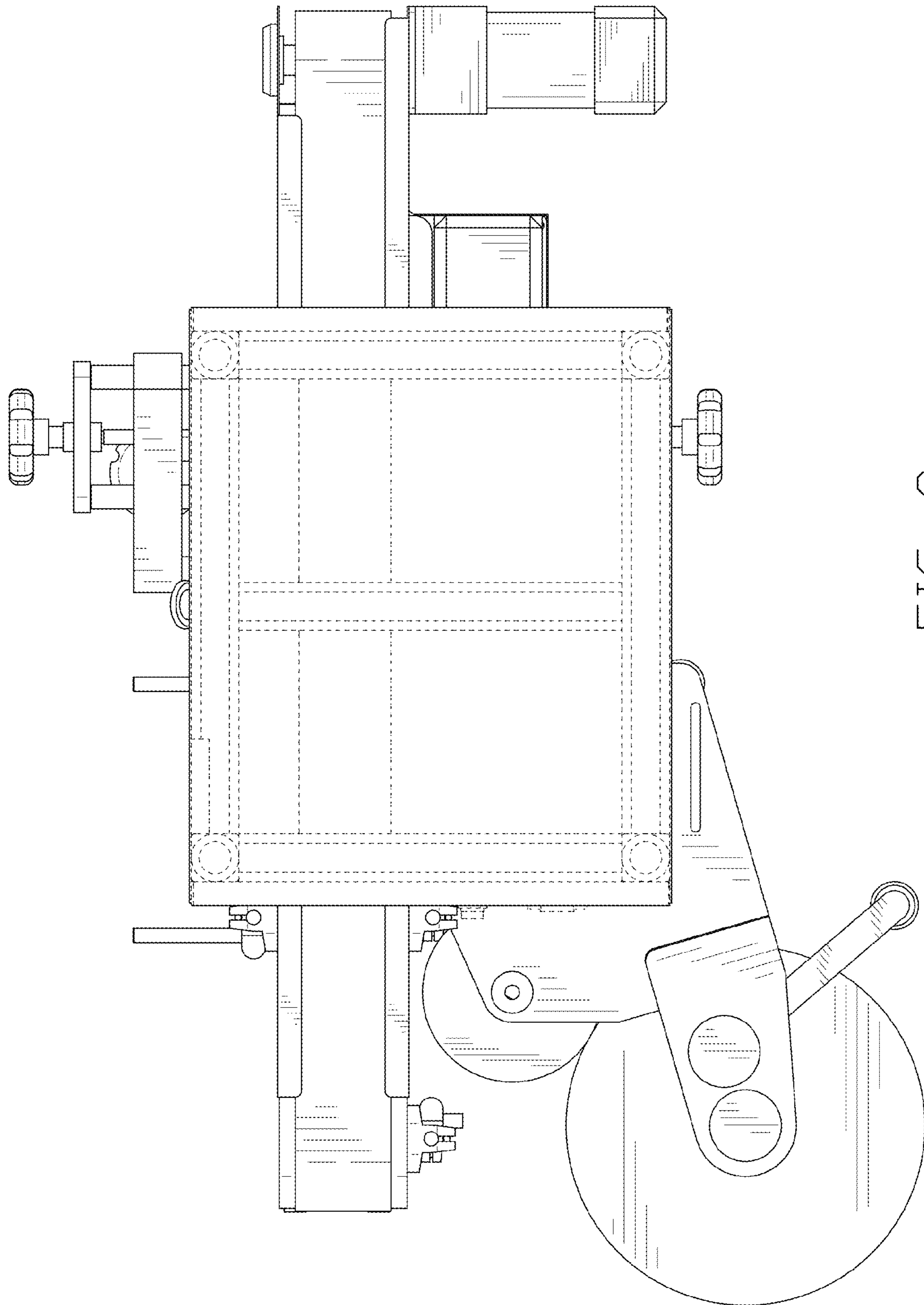


FIG. 8

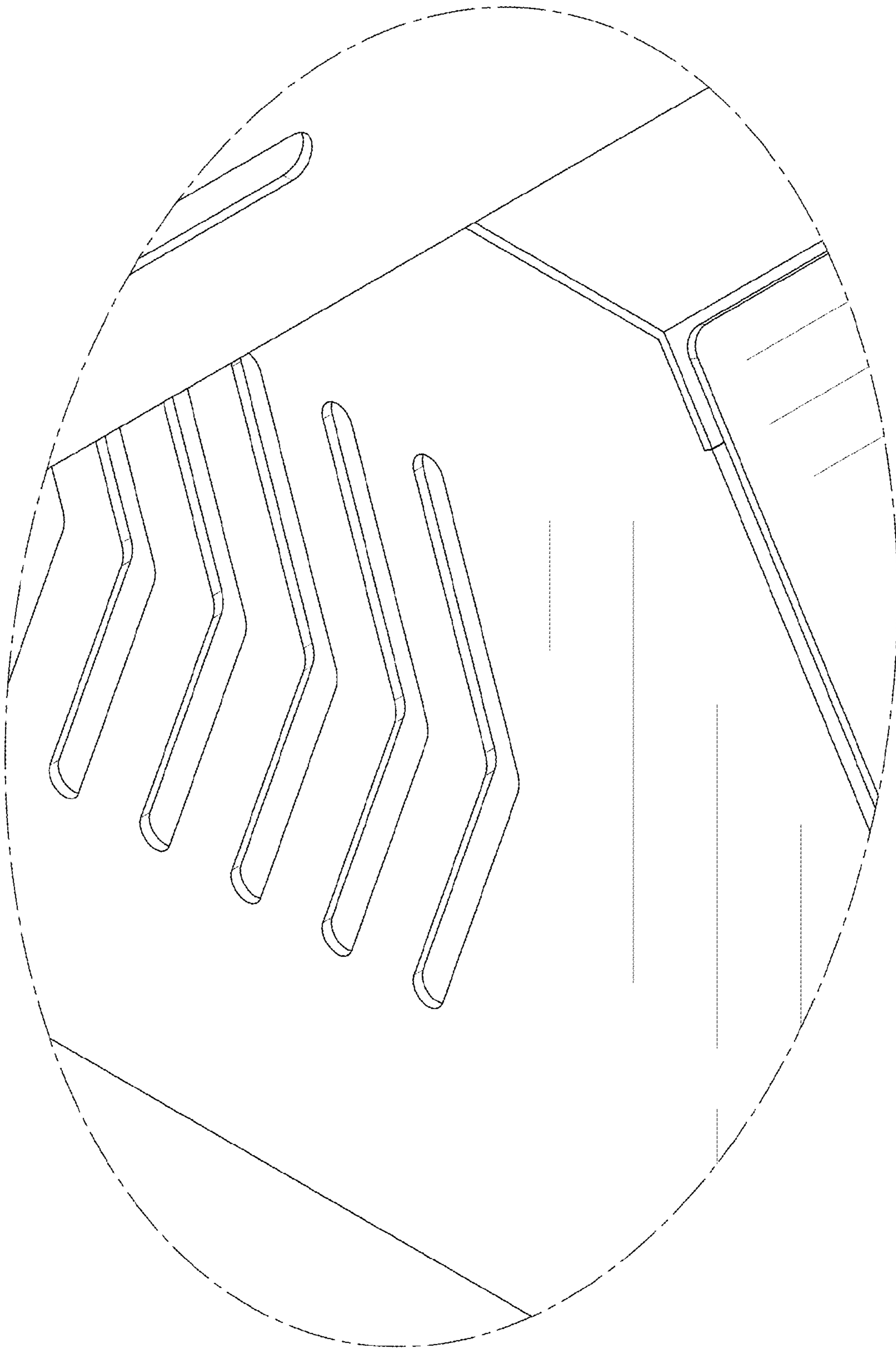


FIG. 9

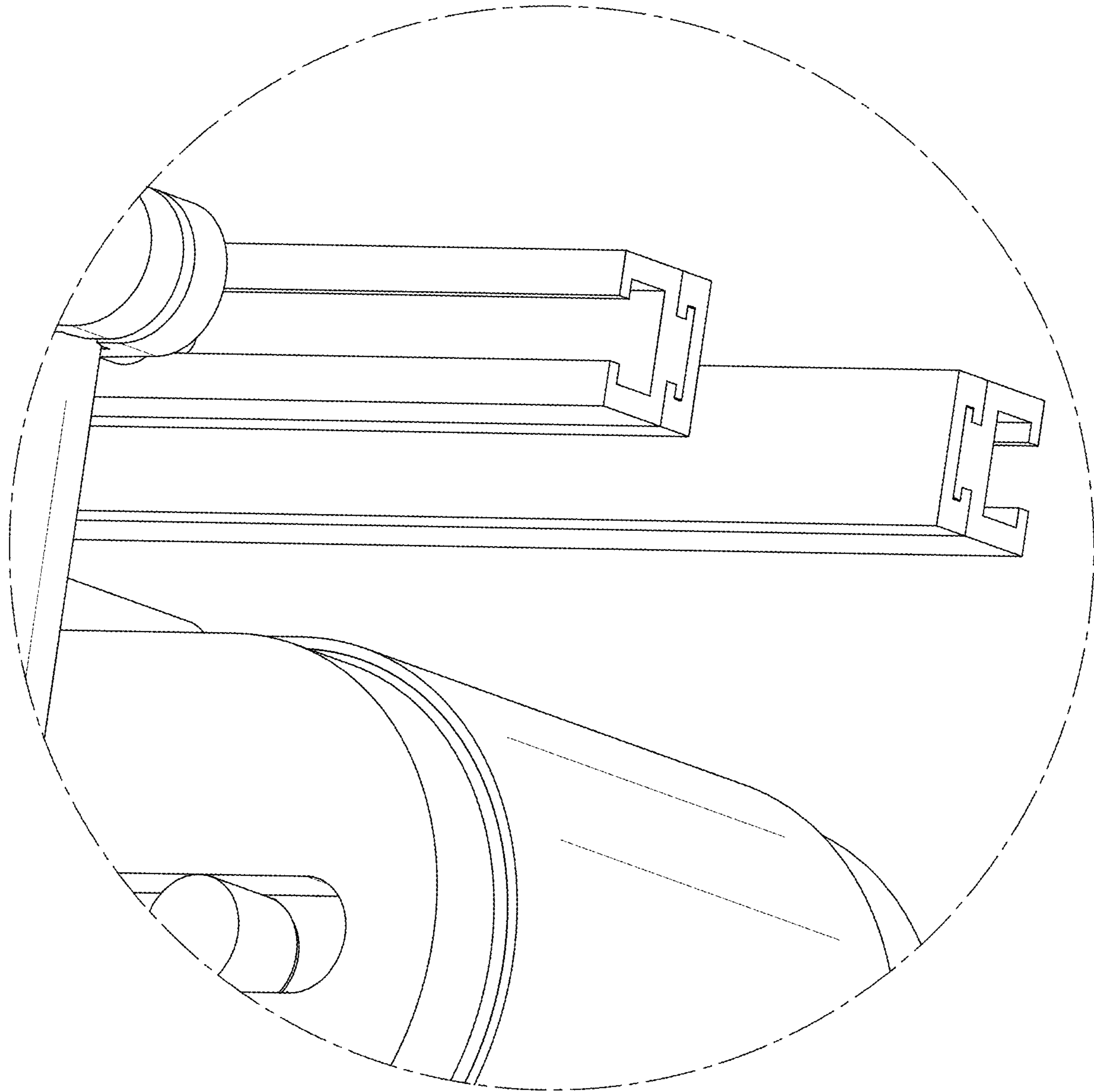


FIG. 10