



US00D979617S

(12) **United States Design Patent**
Dale et al.

(10) **Patent No.:** **US D979,617 S**

(45) **Date of Patent:** **** Feb. 28, 2023**

(54) **DEEP-THROAT SAWHEAD COVER**

(71) Applicant: **Norwood Industries Inc., Oro-Medonte (CA)**

(72) Inventors: **Ashlynn Dale, Oro-Medonte (CA); Sebastien Cabrit, Oro-Medonte (CA)**

(73) Assignee: **Norwood Industries Inc., Oro-Medonte (CA)**

(**) Term: **15 Years**

(21) Appl. No.: **29/774,321**

(22) Filed: **Mar. 16, 2021**

(30) **Foreign Application Priority Data**

Sep. 24, 2020 (CA) 198385

(51) **LOC (14) Cl.** **15-09**

(52) **U.S. Cl.**

USPC **D15/134**

(58) **Field of Classification Search**

USPC D8/20, 35, 14, 16, 18, 19, 64, 66, 70;
D10/64, 65; D15/122, 124, 127, 133,
D15/134, 138, 139, 199; D19/39, 40;
D24/146, 147

CPC B23D 55/02; B27B 15/02; Y10T 83/68;
Y10T 83/95; Y10T 83/707; Y10T 83/722;
Y10T 83/7763

See application file for complete search history.

(56) **References Cited**

U.S. PATENT DOCUMENTS

D638,040 S * 5/2011 Dale D15/127

D639,319 S * 6/2011 Dale D15/127

D816,742 S * 5/2018 Cabrit D15/134
D818,013 S * 5/2018 Cabrit D15/134
D831,711 S * 10/2018 Cabrit D15/134
D834,623 S * 11/2018 Cabrit D15/134
2018/0345524 A1 * 12/2018 Cabrit B23D 55/02

* cited by examiner

Primary Examiner — Michael C Stout

Assistant Examiner — Fritzgerald L Butac

(74) *Attorney, Agent, or Firm* — Renner, Otto, Boisselle & Sklar, LLP

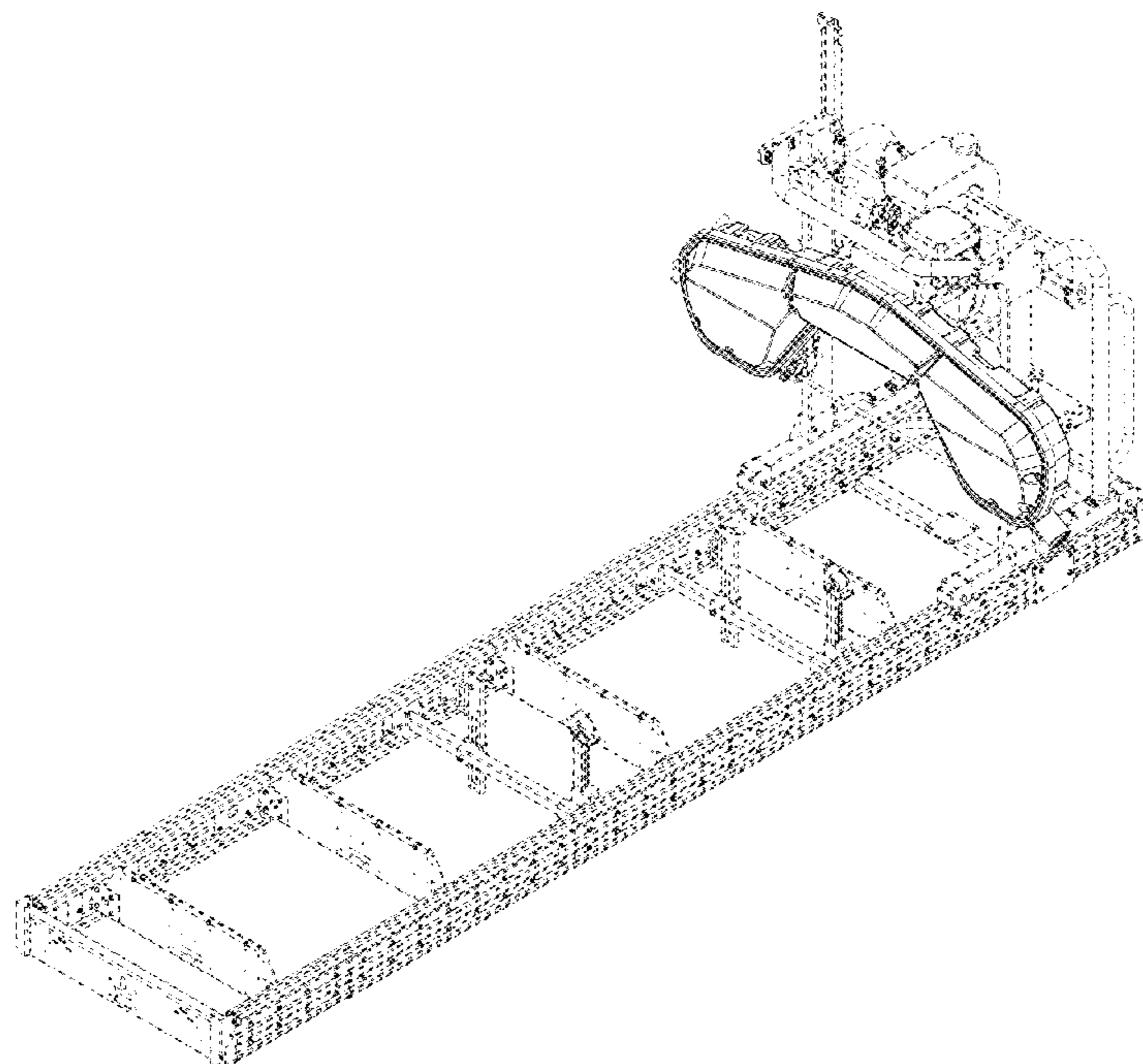
(57) **CLAIM**

The ornamental design for a deep-throat sawhead cover, as shown and described.

DESCRIPTION

FIG. 1 is a top, right, front perspective view of a deep-throat sawhead cover showing our new design;
FIG. 2 is a top, left, rear perspective view thereof;
FIG. 3 is a front elevation view thereof;
FIG. 4 is a rear elevation view thereof;
FIG. 5 is a right side elevation view thereof;
FIG. 6 is a left side elevation view thereof;
FIG. 7 is a top plan view thereof, rotated ninety degrees clockwise; and,
FIG. 8 is a bottom plan view thereof, rotated ninety degrees counterclockwise.
The broken lines seen in FIG. 8 show portions of the deep-throat sawhead cover which forms no part of the claimed design.

1 Claim, 8 Drawing Sheets



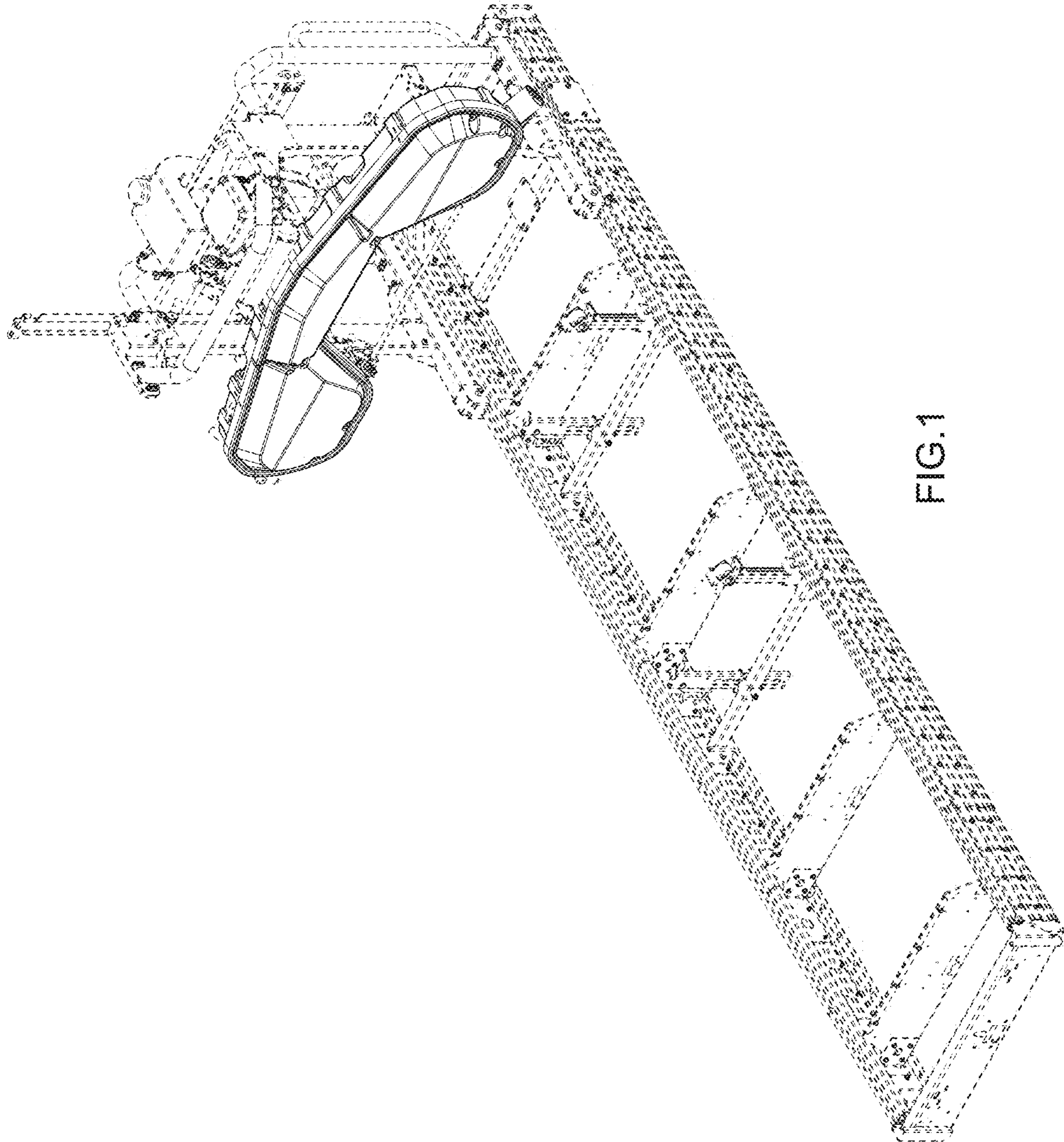


FIG.1

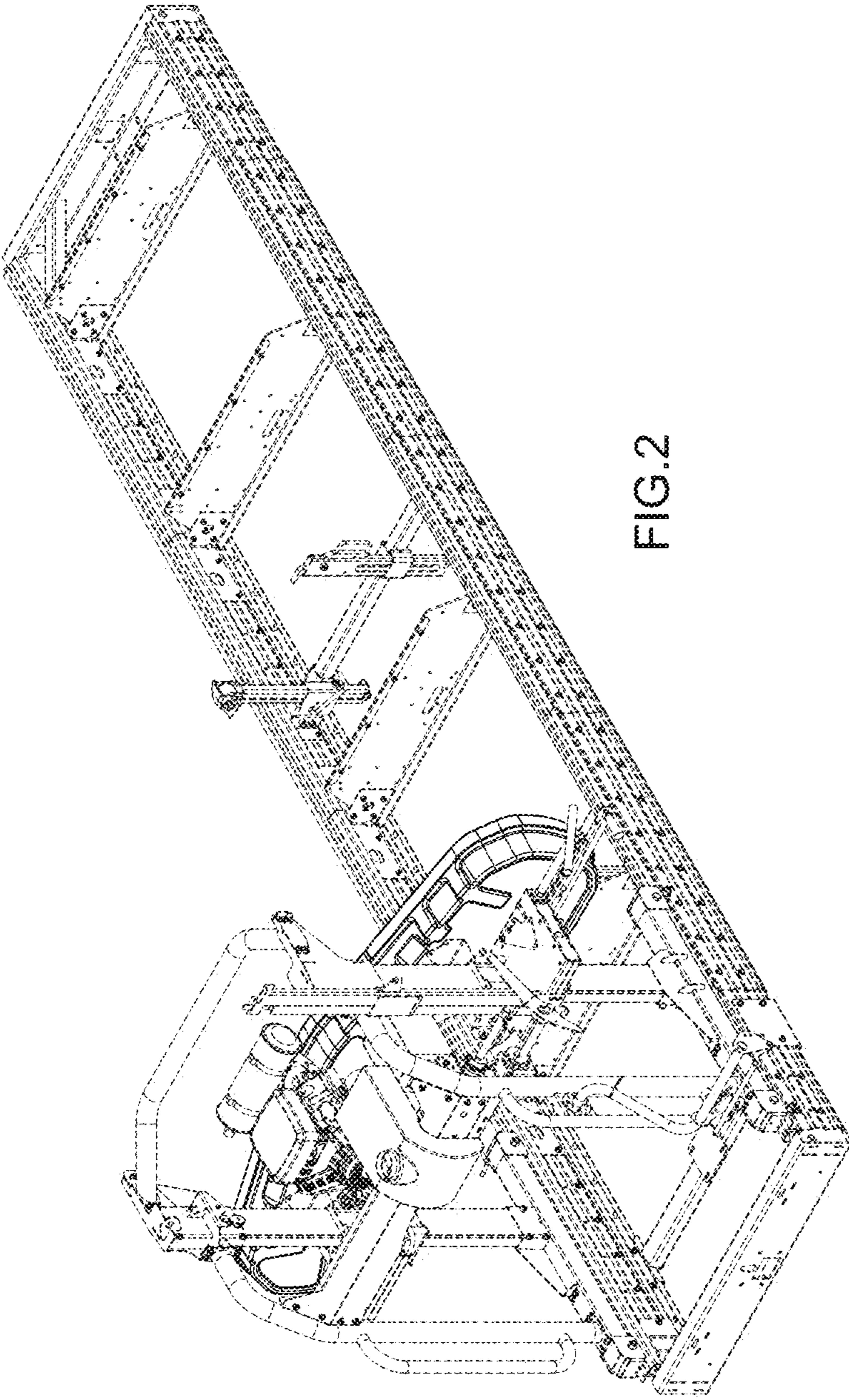


FIG. 2

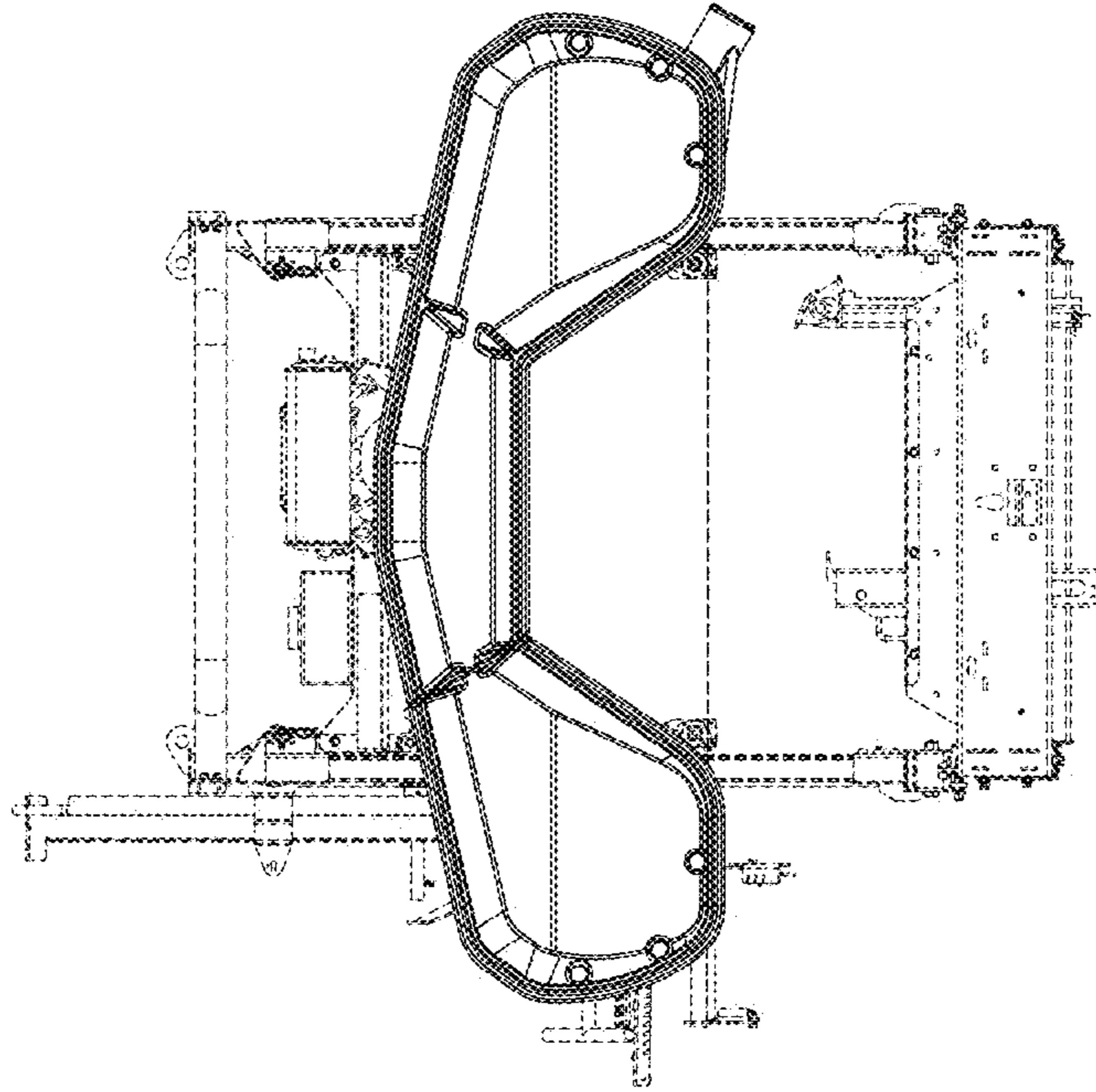


FIG.3

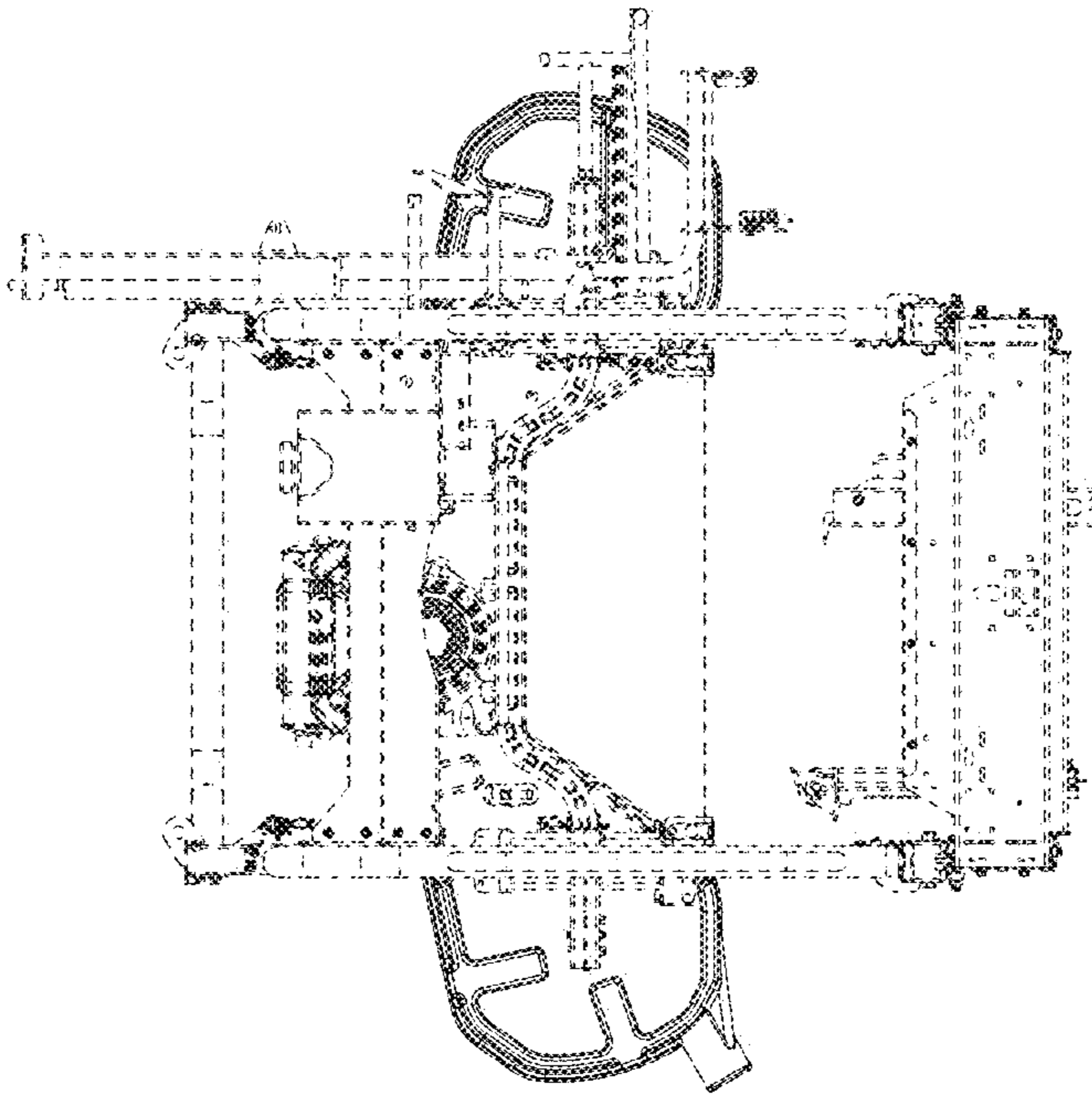


FIG.4

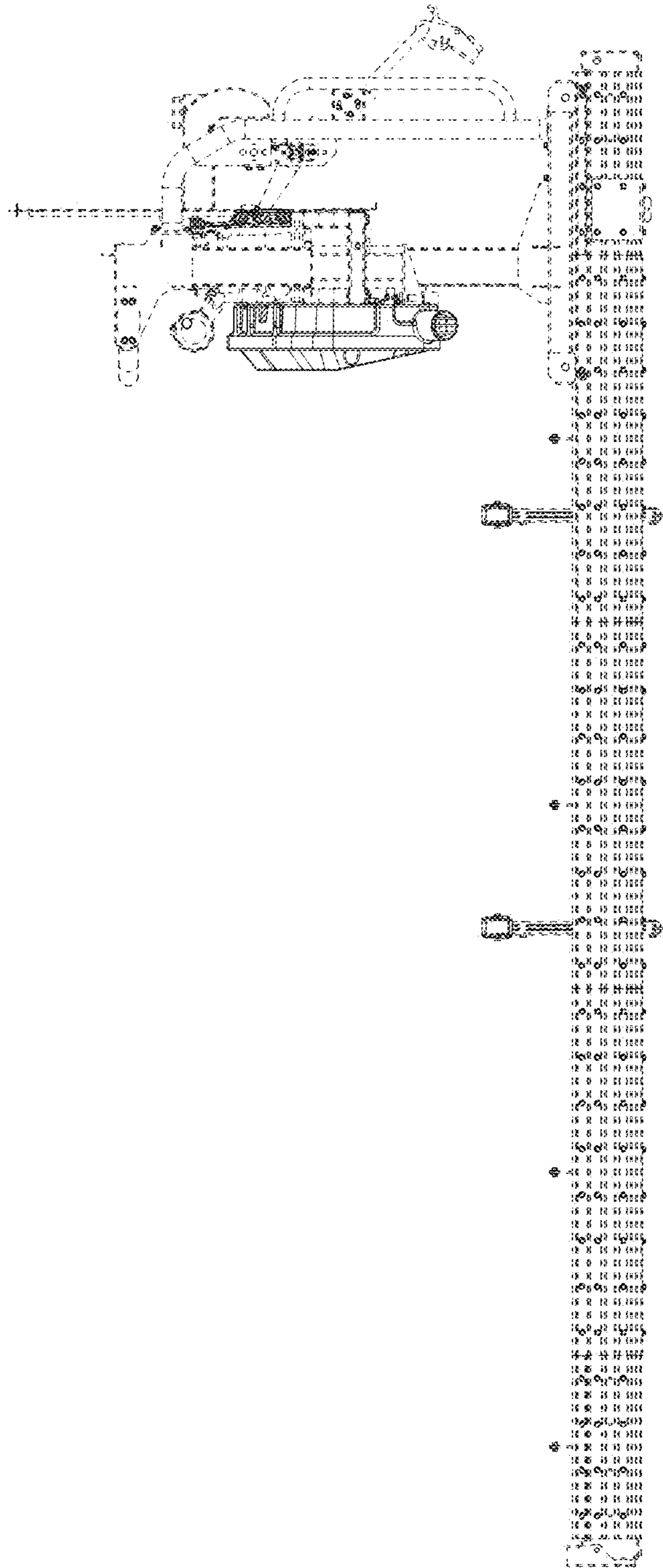
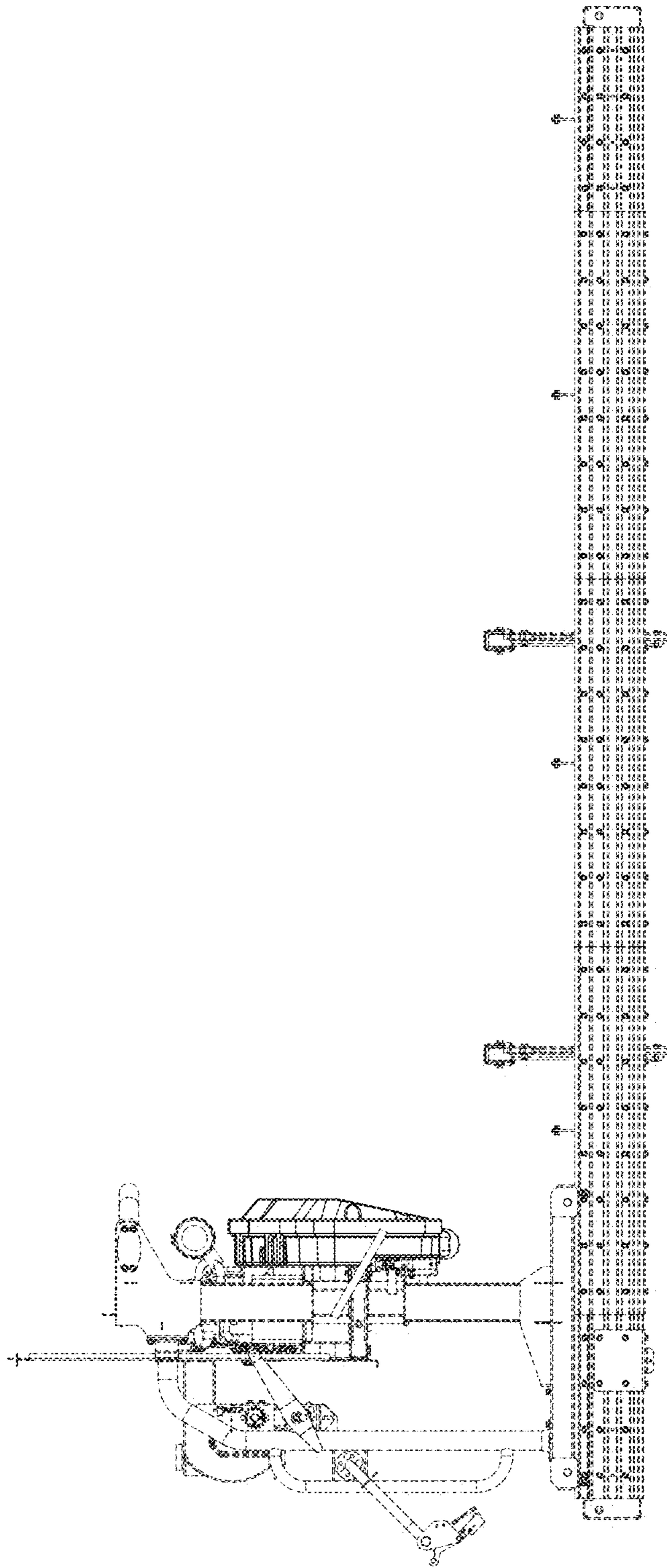


FIG. 5



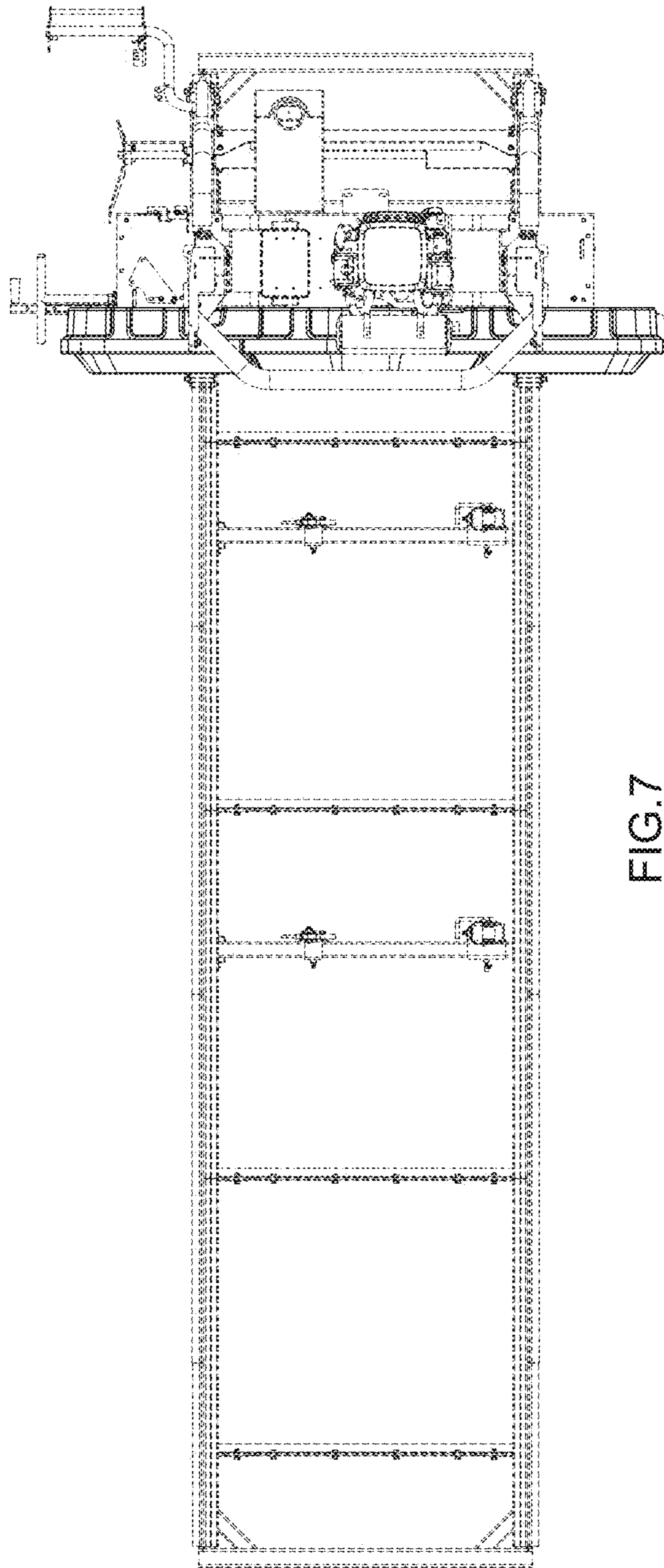


FIG. 7

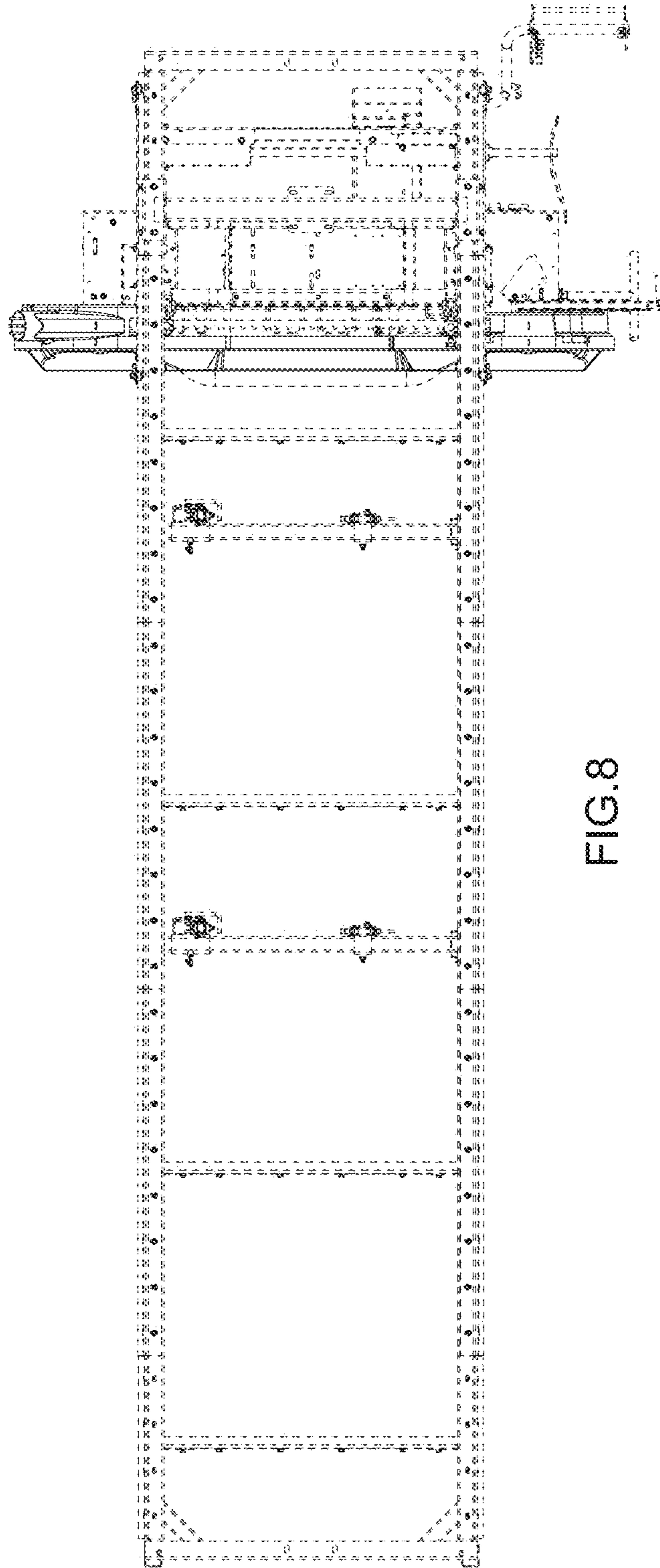


FIG. 8