



US00D979610S

(12) **United States Design Patent**
Kelley

(10) **Patent No.:** **US D979,610 S**

(45) **Date of Patent:** **** Feb. 28, 2023**

(54) **OUTER SONDE TUBE TIMED CAP**
(71) Applicant: **Mark A. Kelley**, Hahira, GA (US)
(72) Inventor: **Mark A. Kelley**, Hahira, GA (US)

D954,756 S * 6/2022 Kelley D15/21
D954,757 S * 6/2022 Kelley D15/21
D967,387 S * 10/2022 Kelley D23/366

(**) Term: **15 Years**

(21) Appl. No.: **29/776,169**

(22) Filed: **Mar. 29, 2021**

(51) **LOC (14) Cl.** **15-03**

(52) **U.S. Cl.**
USPC **D15/21**

(58) **Field of Classification Search**
USPC D15/21, 28, 199; D13/133, 154, 184,
D13/199; D24/127-130, 186, 232, 231
CPC H01R 13/516; H01R 13/5219; H01R
13/623; H01R 13/625; H01R 13/6278;
H01R 24/84

See application file for complete search history.

(56) **References Cited**

U.S. PATENT DOCUMENTS

- D255,145 S * 5/1980 Nederman D23/262
- D311,573 S * 10/1990 Lewis D23/262
- D471,155 S * 3/2003 Cheng D13/133
- D513,406 S * 1/2006 Rodrigues D13/133
- D529,865 S * 10/2006 LaPere D13/133
- D539,131 S * 3/2007 Hsien D8/382
- D609,602 S * 2/2010 Krize D11/130
- D743,446 S * 11/2015 Jones D15/21
- D749,644 S * 2/2016 Redden D15/21
- D788,886 S * 6/2017 Salzer D23/259
- D799,939 S * 10/2017 Lowitz D8/382
- D804,051 S * 11/2017 Alexander D24/227
- D827,150 S * 8/2018 Nakagawa D24/224
- D839,213 S * 1/2019 Maroney D13/133
- 10,498,074 B2 * 12/2019 Gibboney, Jr. H01R 13/6272
- 10,615,539 B1 * 4/2020 Vanzo H01R 13/625
- D946,400 S * 3/2022 Marantis A61J 1/1406
- D9/439
- D954,755 S * 6/2022 Kelley D15/21

OTHER PUBLICATIONS

Prince Agri Reducer Socket—Pipe Fitting, Prince, [Post date unknown], [Site seen Nov. 30, 2022], Seen at URL: <https://www.flipkart.com/prince-agri-reducer-socket-pipe-fitting-size-63-x-50-mm-2-way-joint/p/itm20eefcd7ca3b0> (Year: 2022).*

PVC Reducer Socket, N30 Tank, [Post date unknown], [Site seen Nov. 30, 2022], Seen at URL: <https://www.n30.com.sg/hoses-pipes/1636-pvc-reducer-socket-various-sizes.html#.Y4YGP2fMJJaQ> (Year: 2022).*

* cited by examiner

Primary Examiner — Natasha Vujcic

Assistant Examiner — Gilbert B Ford

(74) *Attorney, Agent, or Firm* — Withers & Keys, LLC

(57) **CLAIM**

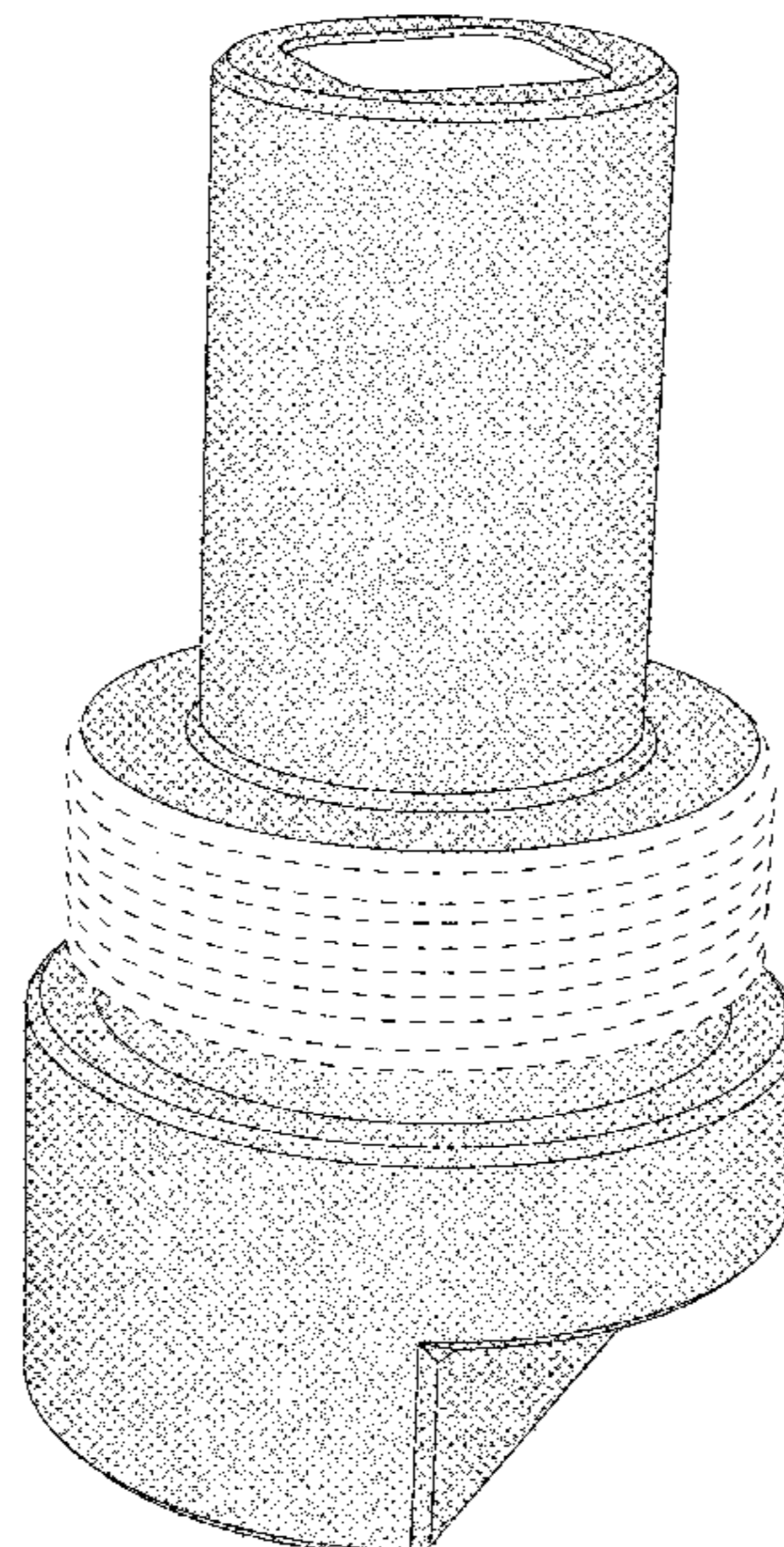
The ornamental design for an outer sonde tube timed cap, as shown and described.

DESCRIPTION

FIG. 1 is a perspective view of an outer sonde tube timed cap showing my new design;
FIG. 2 is another perspective view thereof;
FIG. 3 is another perspective view thereof;
FIG. 4 is a rear view thereof;
FIG. 5 is front view thereof;
FIG. 6 is a right-hand view thereof;
FIG. 7 is a left-hand view thereof;
FIG. 8 is a top view thereof; and,
FIG. 9 is a bottom view thereof.

The broken lines illustrate portions of the outer sonde tube timed cap that form no part of the claimed design.

1 Claim, 9 Drawing Sheets



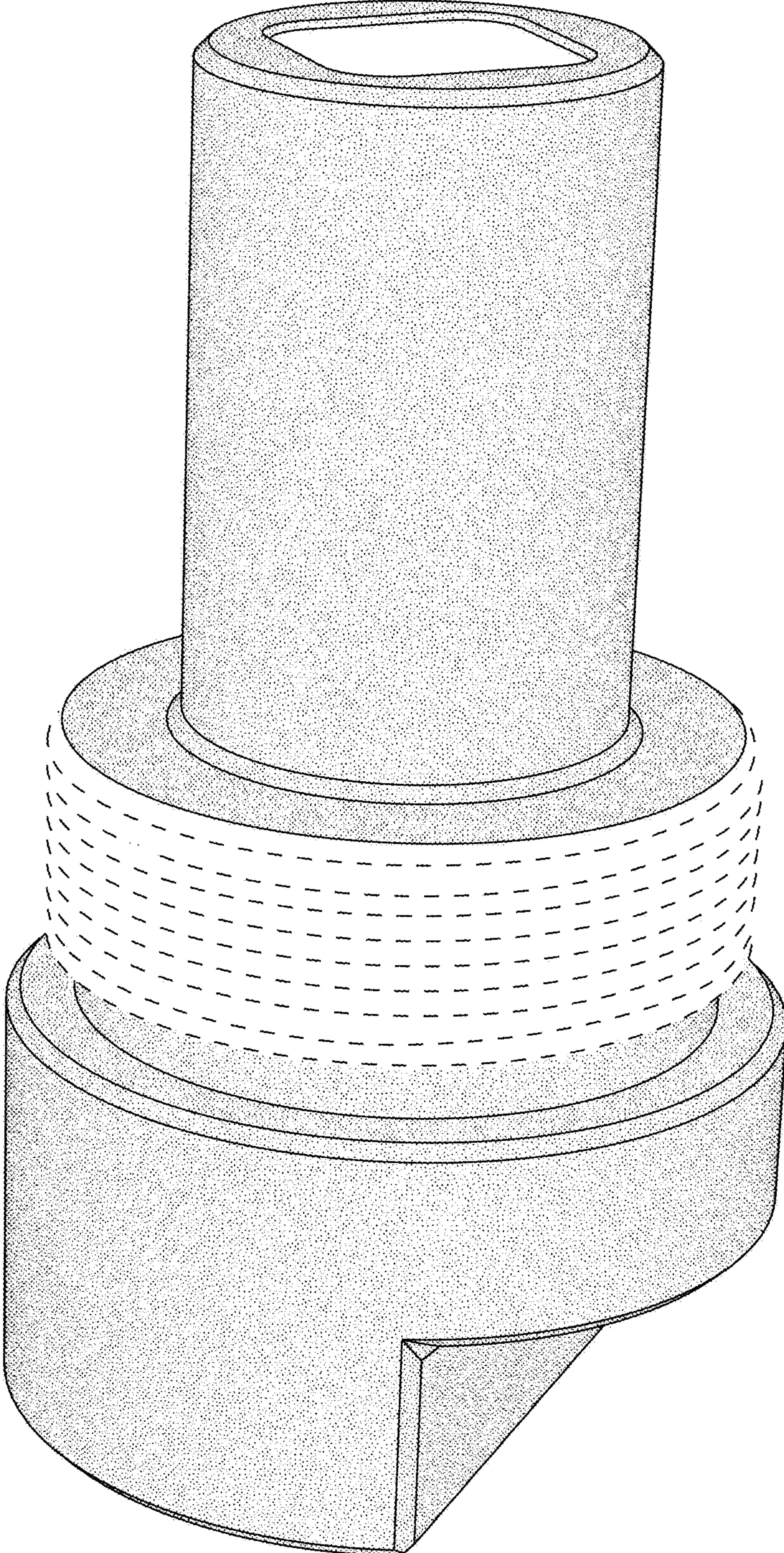


FIG.1

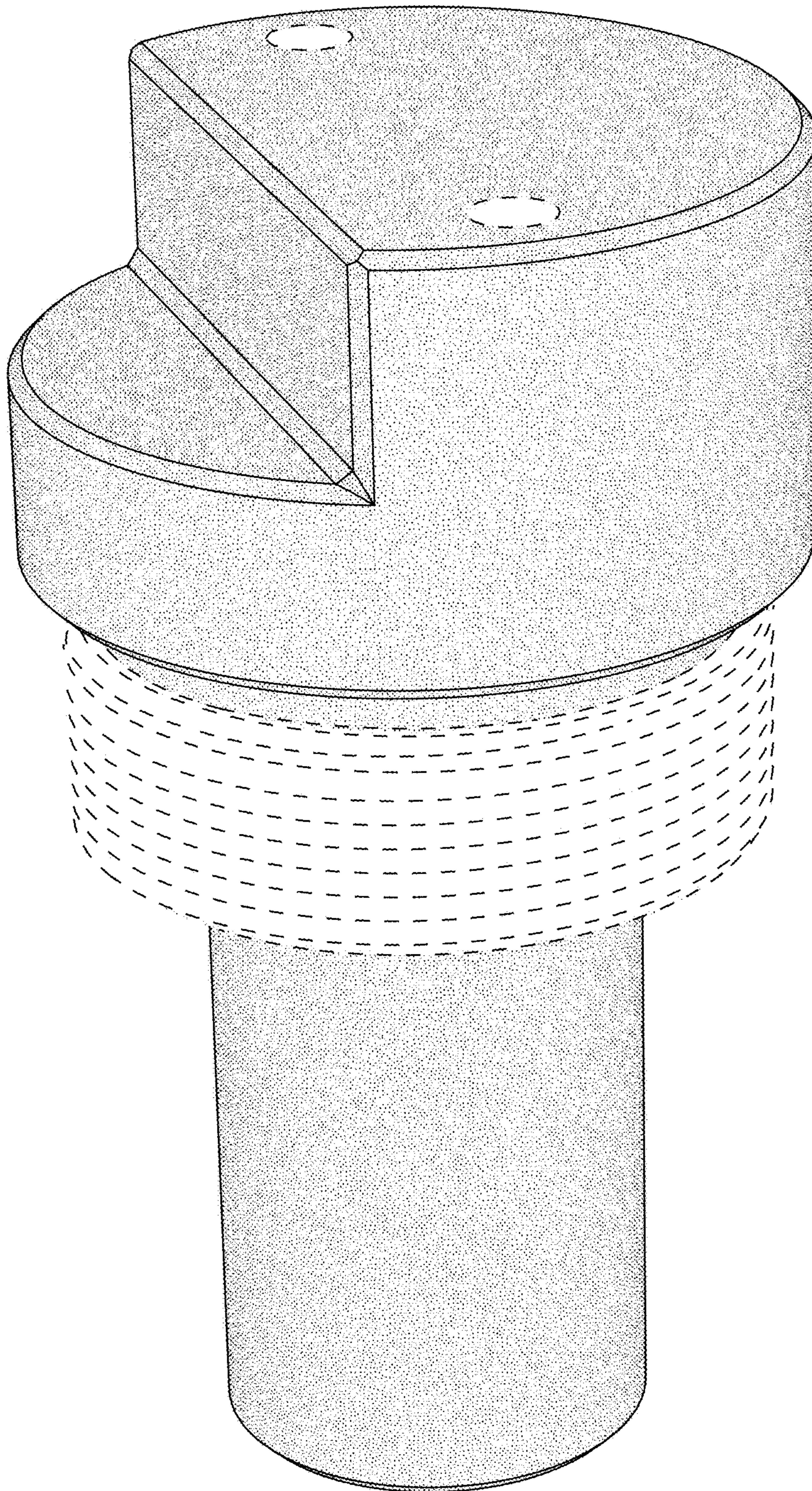


FIG.2

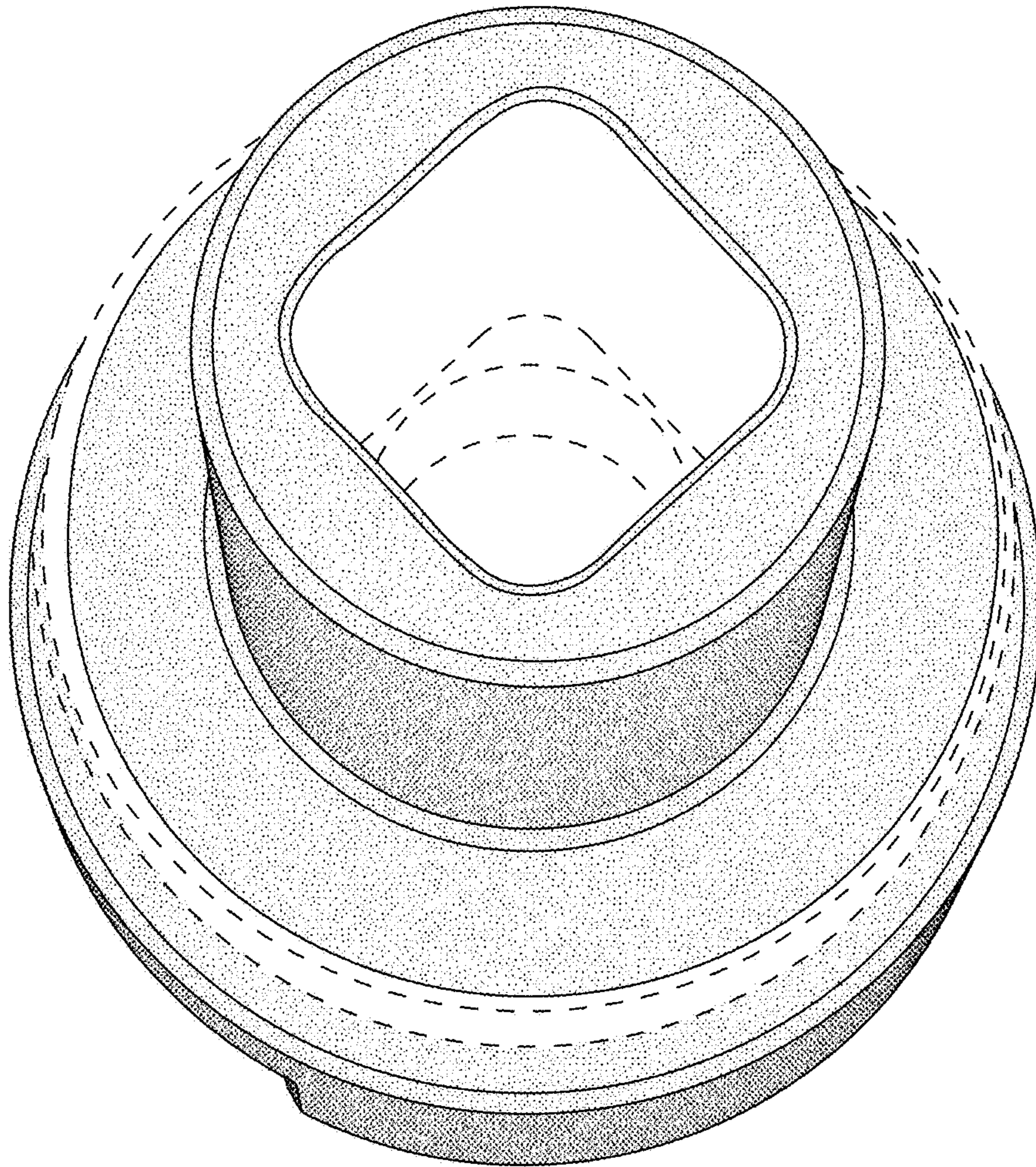


FIG.3

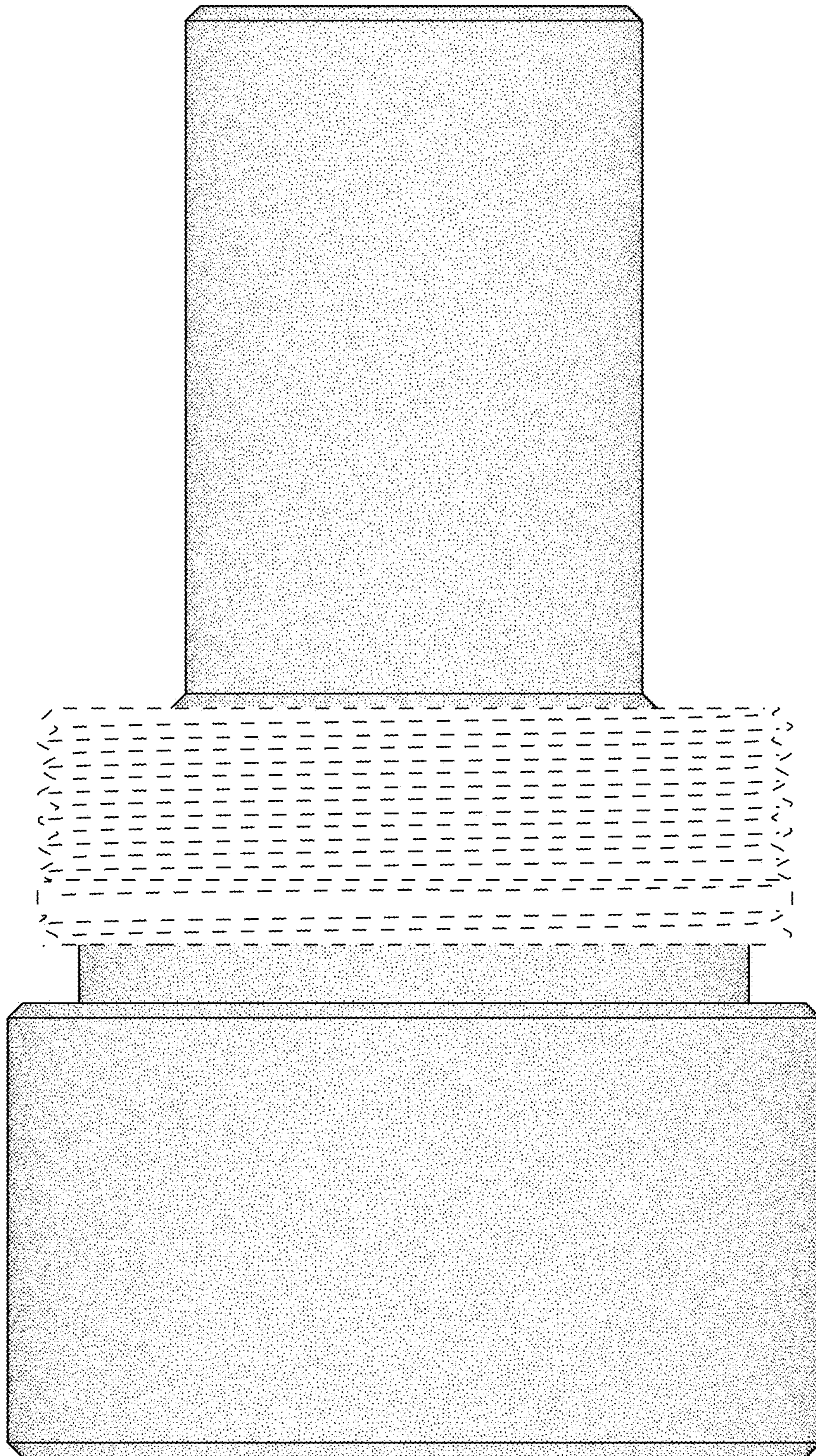


FIG.4

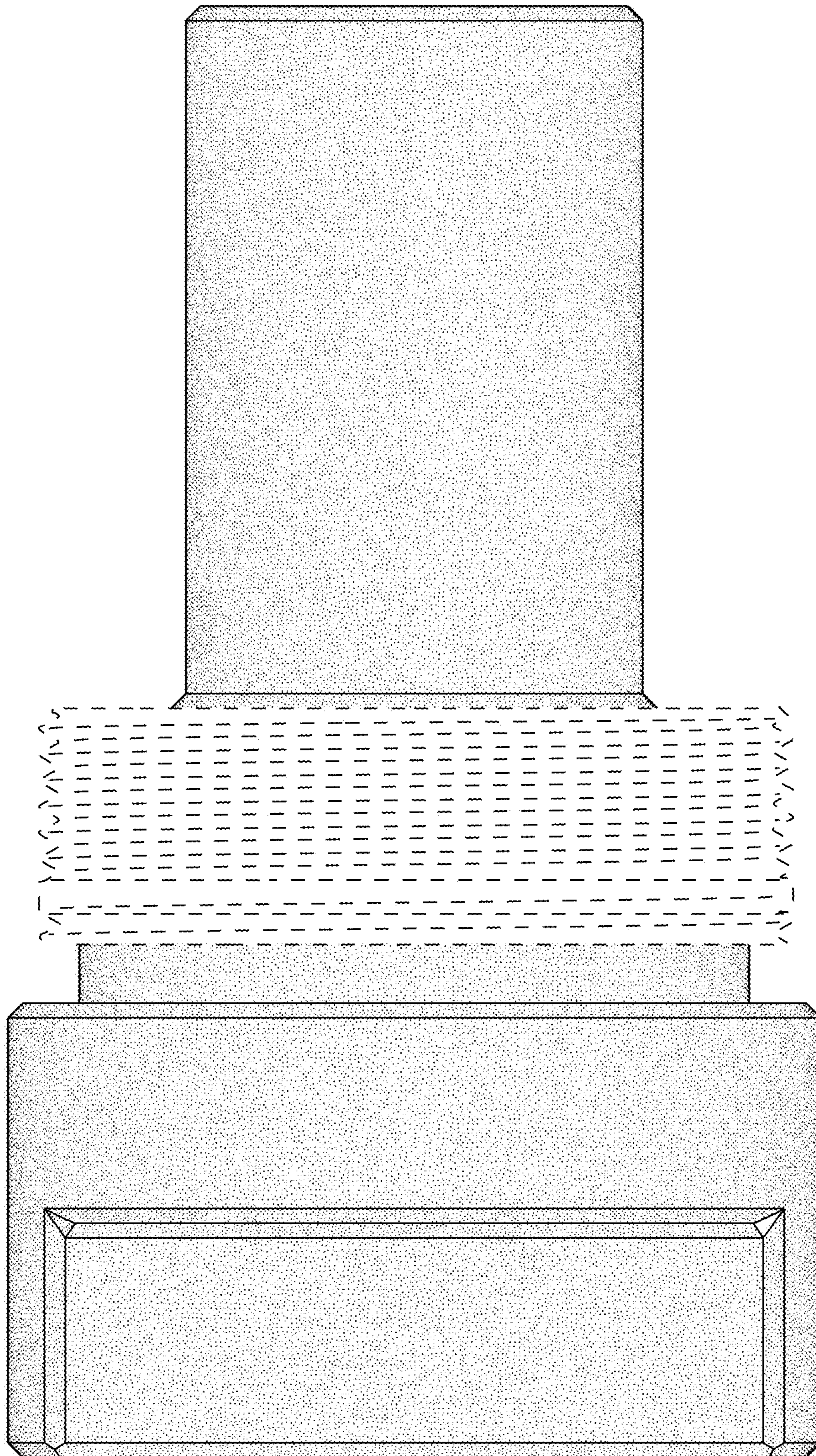


FIG.5

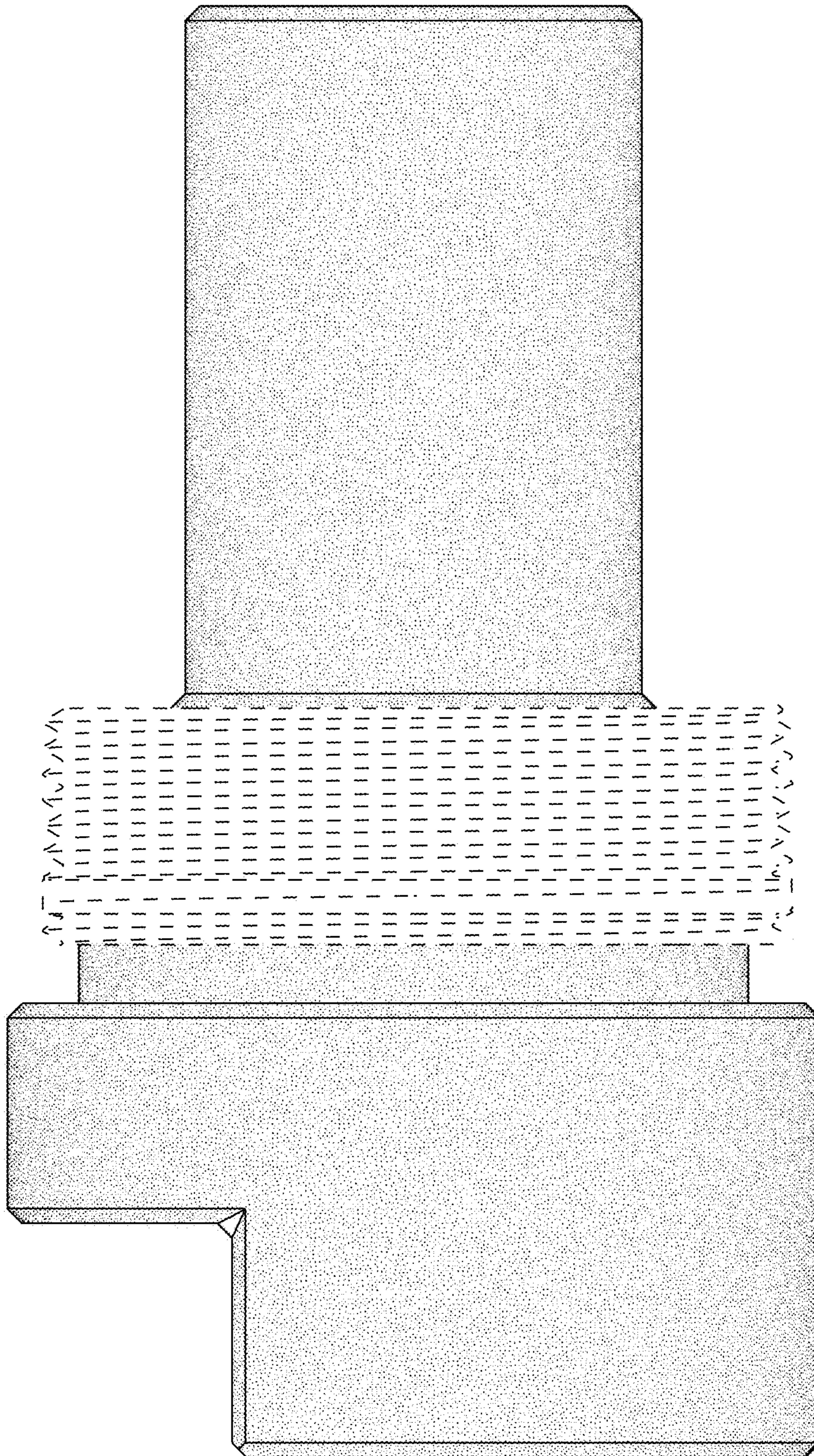


FIG.6

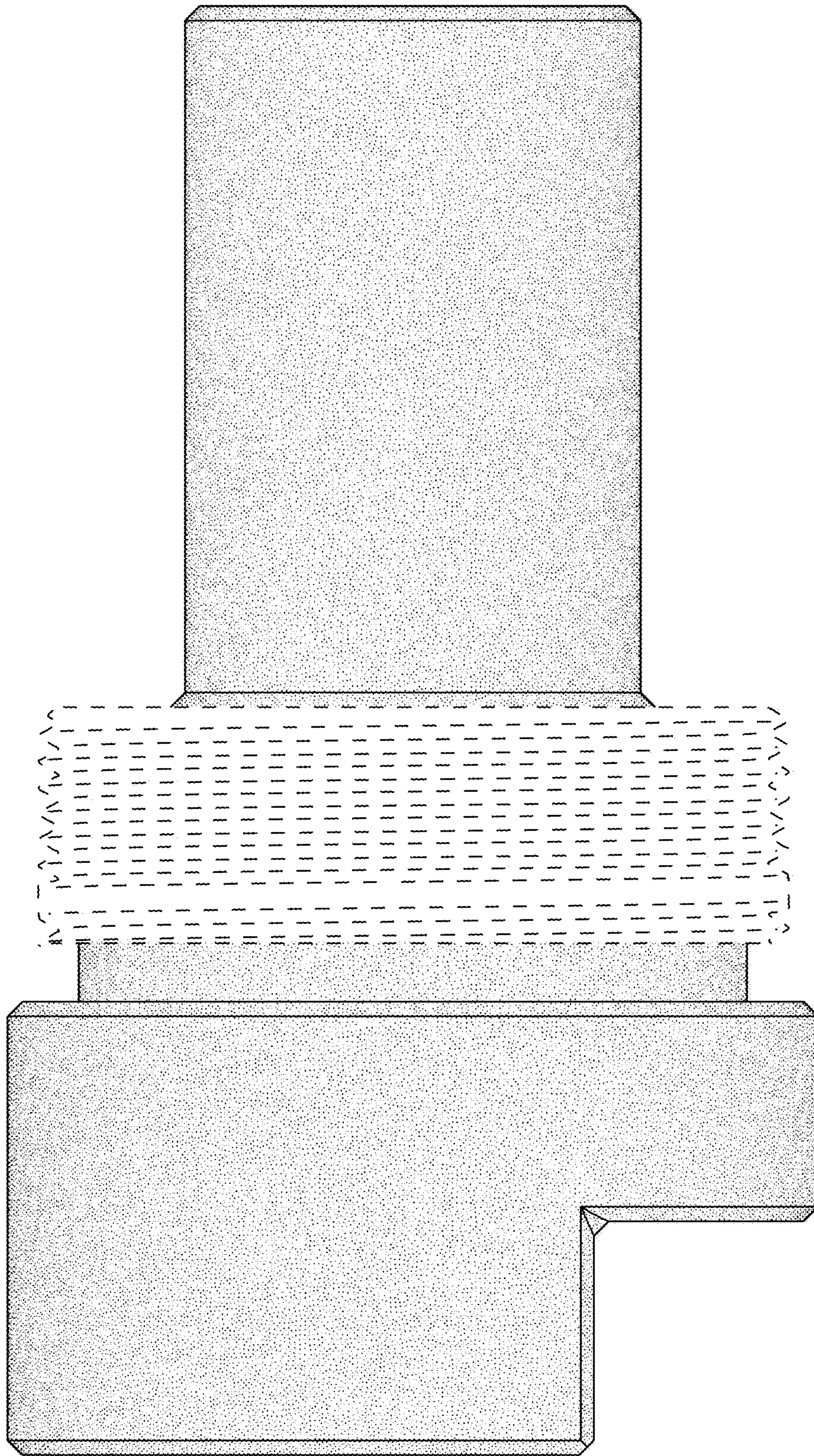


FIG.7

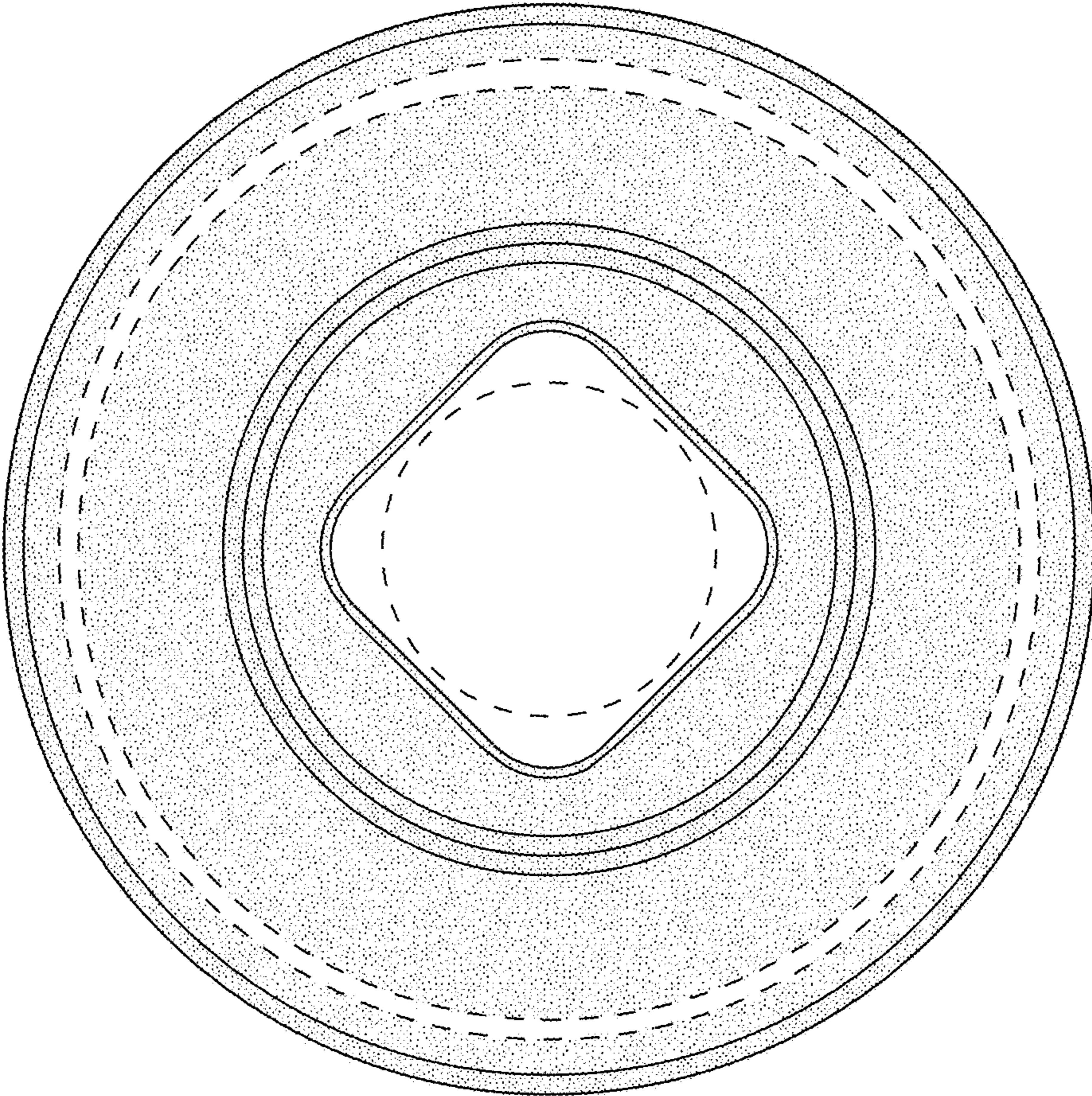


FIG.8

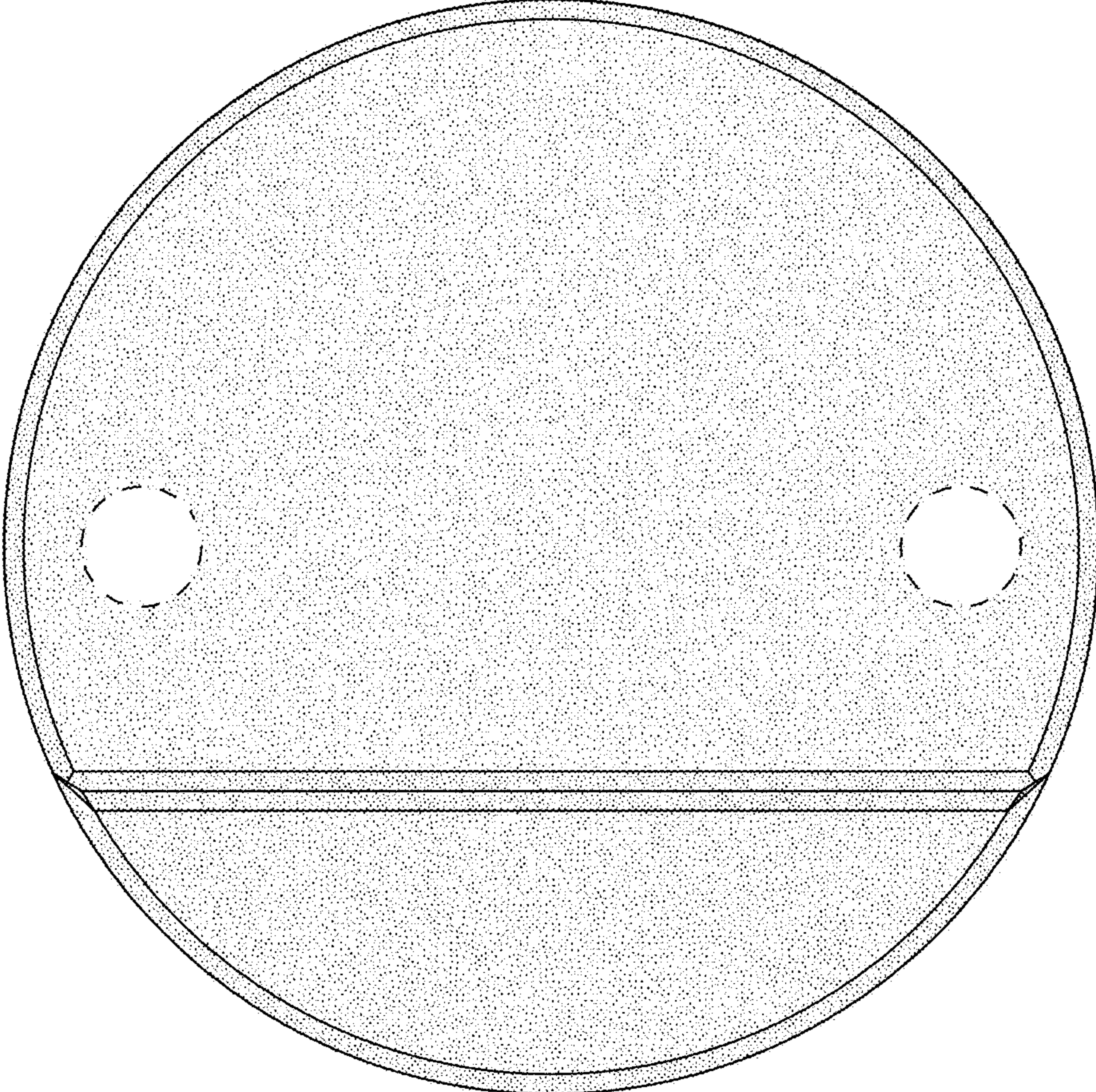


FIG.9