



US00D979609S

(12) **United States Design Patent**  
**Cestonaro et al.**

(10) **Patent No.:** **US D979,609 S**

(45) **Date of Patent:** **\*\* Feb. 28, 2023**

- (54) **ROBOTIC LAWN MOWER**
- (71) Applicant: **Positec Power Tools (Suzhou) Co., Ltd.**, Suzhou (CN)
- (72) Inventors: **Andrea Cestonaro**, Suzhou (CN); **Wang Huo**, Suzhou (CN); **Peizhou Sun**, Suzhou (CN)
- (73) Assignee: **POSITEC POWER TOOLS (SUZHOU) CO., LTD.**, Suzhou (CN)
- (\*\*) Term: **15 Years**
- (21) Appl. No.: **29/796,537**
- (22) Filed: **Jun. 24, 2021**
- (30) **Foreign Application Priority Data**

D679,295 S *	4/2013	Tajik	.....	D15/17
D681,065 S *	4/2013	Maeda	.....	D15/17
D688,276 S *	8/2013	Naslund	.....	D15/17
D718,339 S *	11/2014	Damshak	.....	D15/17
D718,340 S *	11/2014	Damshak	.....	D15/14
D718,341 S *	11/2014	Gur	.....	D15/17
D718,793 S *	12/2014	Gur	.....	D15/14
D745,897 S *	12/2015	Mehra	.....	D15/17
D758,455 S *	6/2016	Maibach	.....	D15/17
D760,806 S *	7/2016	Cmich	.....	D15/17
D776,169 S *	1/2017	Cmich	.....	D15/17
D781,926 S *	3/2017	Al-Hashimi	.....	D15/14
D796,555 S *	9/2017	Landberg	.....	D15/17
D852,232 S *	6/2019	Eidson	.....	D15/17
D880,532 S *	4/2020	Gunnarsson	.....	D15/17
D881,252 S *	4/2020	Vestberg	.....	D15/199
D889,517 S *	7/2020	Prybor	.....	D15/17
D890,219 S *	7/2020	Tat	.....	D15/17
D928,202 S *	8/2021	Li	.....	D15/17
D940,761 S *	1/2022	Mehra	.....	D15/17
D946,056 S *	3/2022	Cestonaro	.....	D15/17

\* cited by examiner

- Dec. 24, 2020 (CN) ..... 202030801252.0
- (51) **LOC (14) Cl.** ..... **15-03**
- (52) **U.S. Cl.**  
USPC ..... **D15/14; D15/17**
- (58) **Field of Classification Search**  
USPC ..... D15/14, 17, 18; 56/11.9, 17.5, 13.4, 56/12.8, 16.7, 202, 255, 294, 295, 320.1, 56/320.2; 180/900, 89.1, 89.12  
CPC .... A01D 34/008; A01D 34/81; A01D 34/416; A01D 34/4166; A01D 34/4167; A01D 34/87; A01D 34/90; B60L 1/003; B60L 3/0061; B60L 11/1803; B60L 11/1805; B60L 11/1877; B60L 15/20; B60L 2260/28; B60L 2200/40; B60L 2220/16; B60L 2220/46; B60L 2240/36; B60L 2240/421; A01G 3/04; A01G 3/0435  
See application file for complete search history.

*Primary Examiner* — Mark A Goodwin  
(74) *Attorney, Agent, or Firm* — Loza & Loza, LLP; Michael Fedrick

(57) **CLAIM**

The ornamental design for a robotic lawn mower, as shown and described.

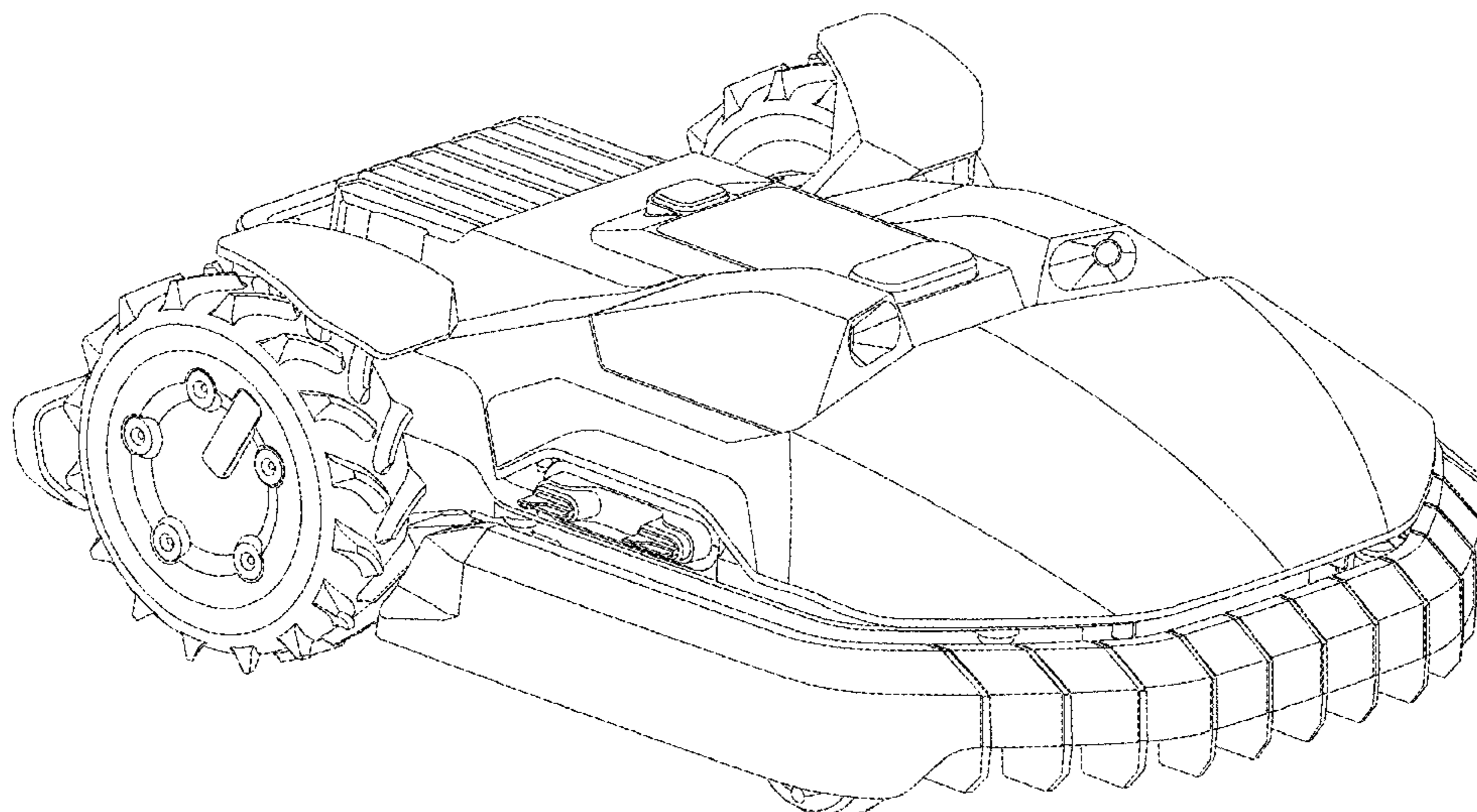
**DESCRIPTION**

FIG. 1 is a perspective view of a robotic lawn mower showing our new design;  
FIG. 2 is a left-side view thereof;  
FIG. 3 is a right-side view thereof;  
FIG. 4 is a front view thereof;  
FIG. 5 is a back view thereof; and,  
FIG. 6 is a top view thereof.

(56) **References Cited**  
U.S. PATENT DOCUMENTS

D678,352 S *	3/2013	Maeda	.....	D15/17
D679,294 S *	4/2013	Tajik	.....	D15/17

**1 Claim, 6 Drawing Sheets**



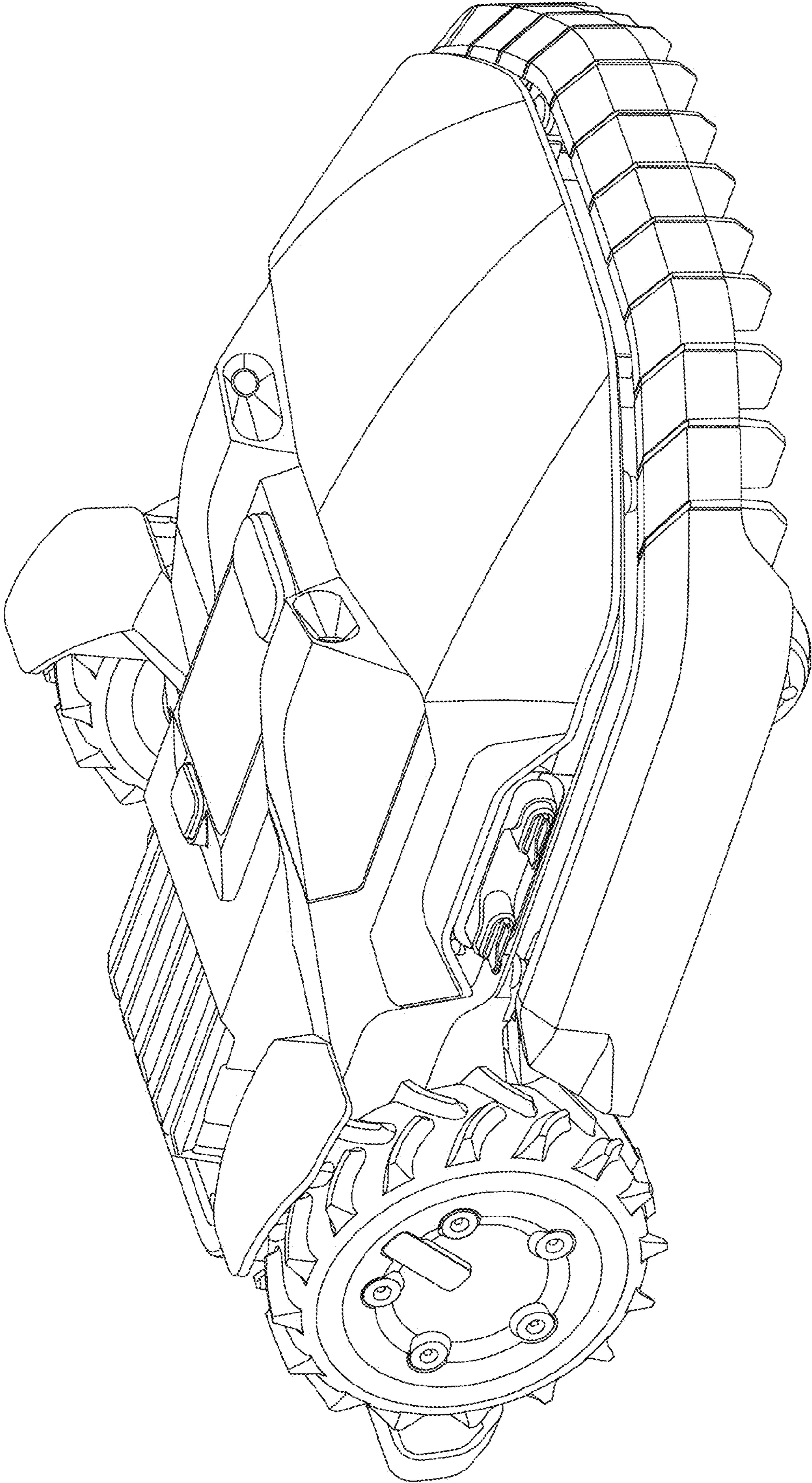


FIG. 1

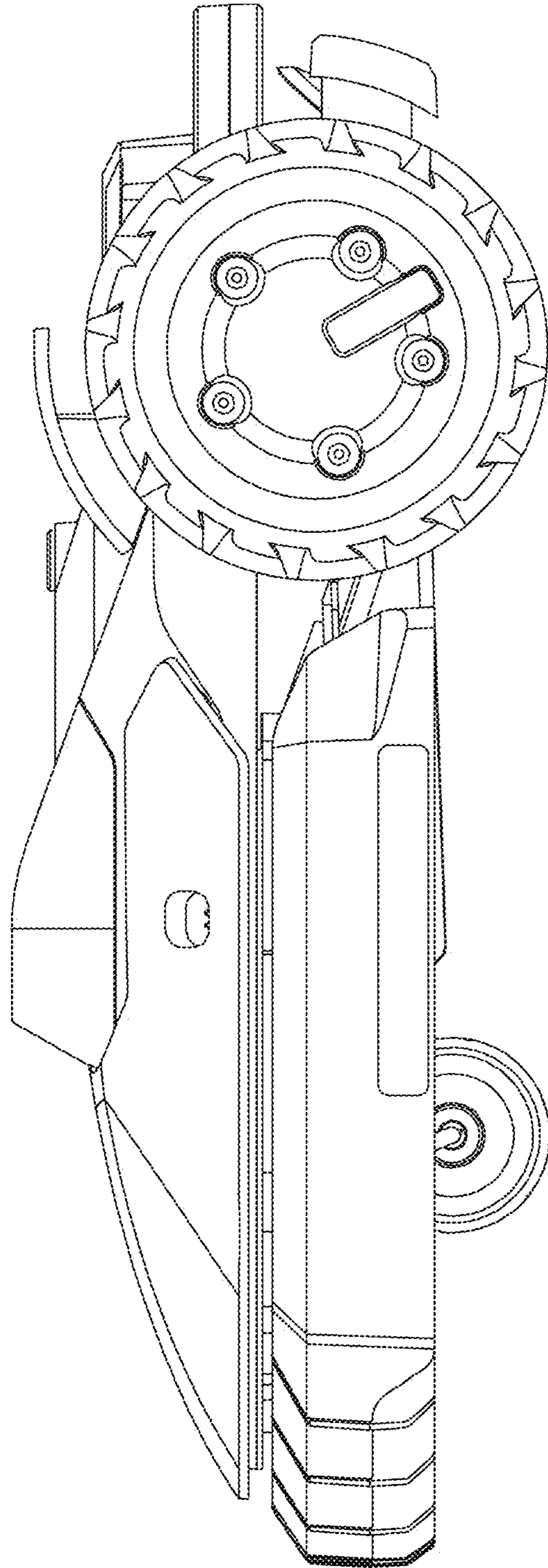


FIG. 2

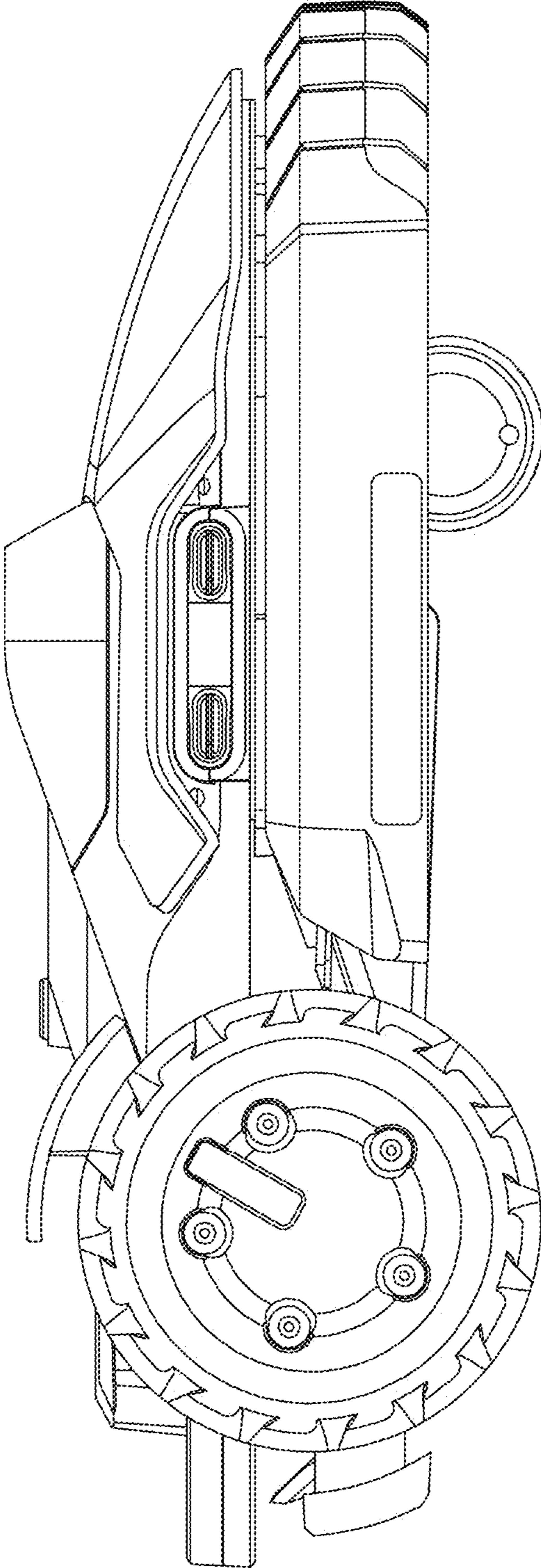


FIG. 3

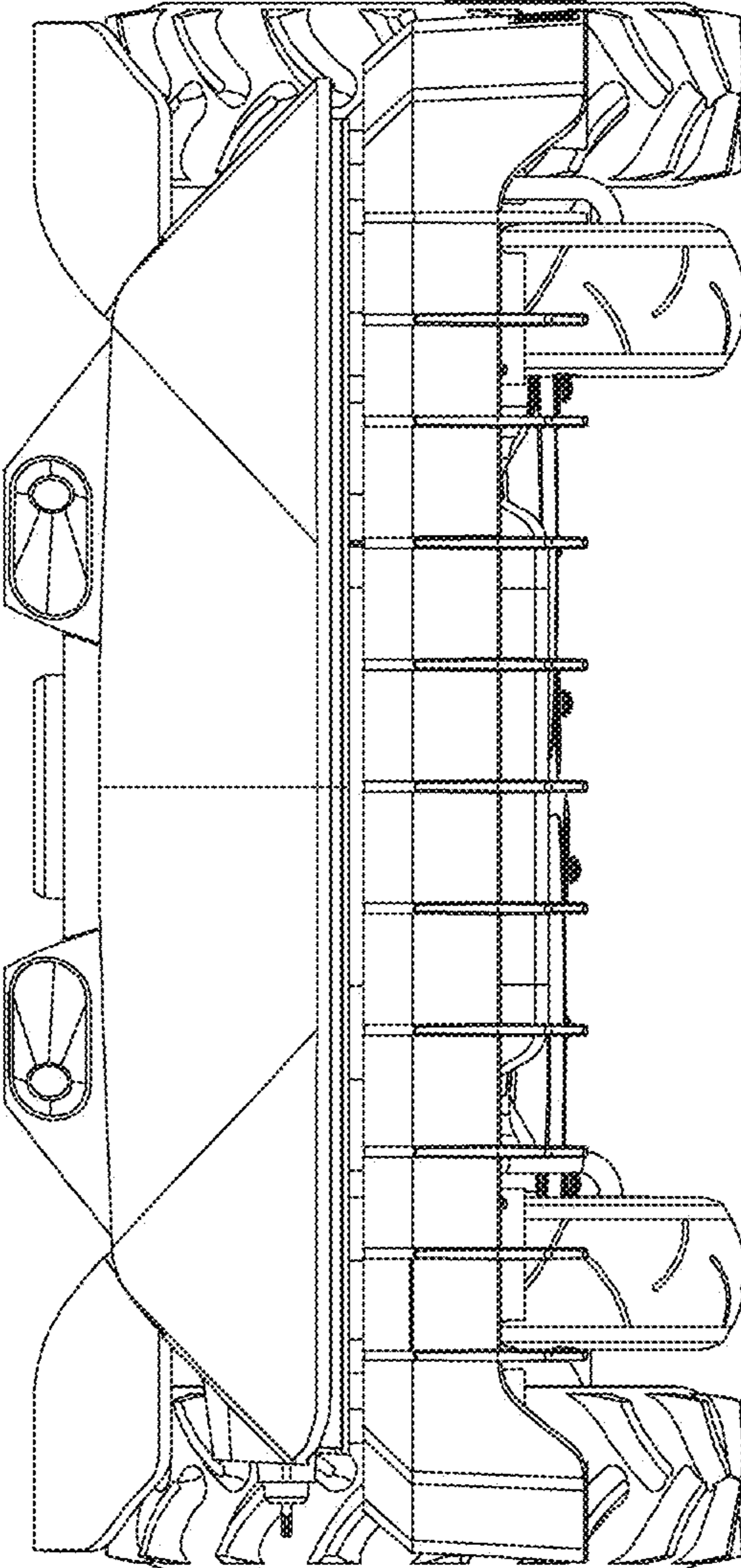


FIG. 4

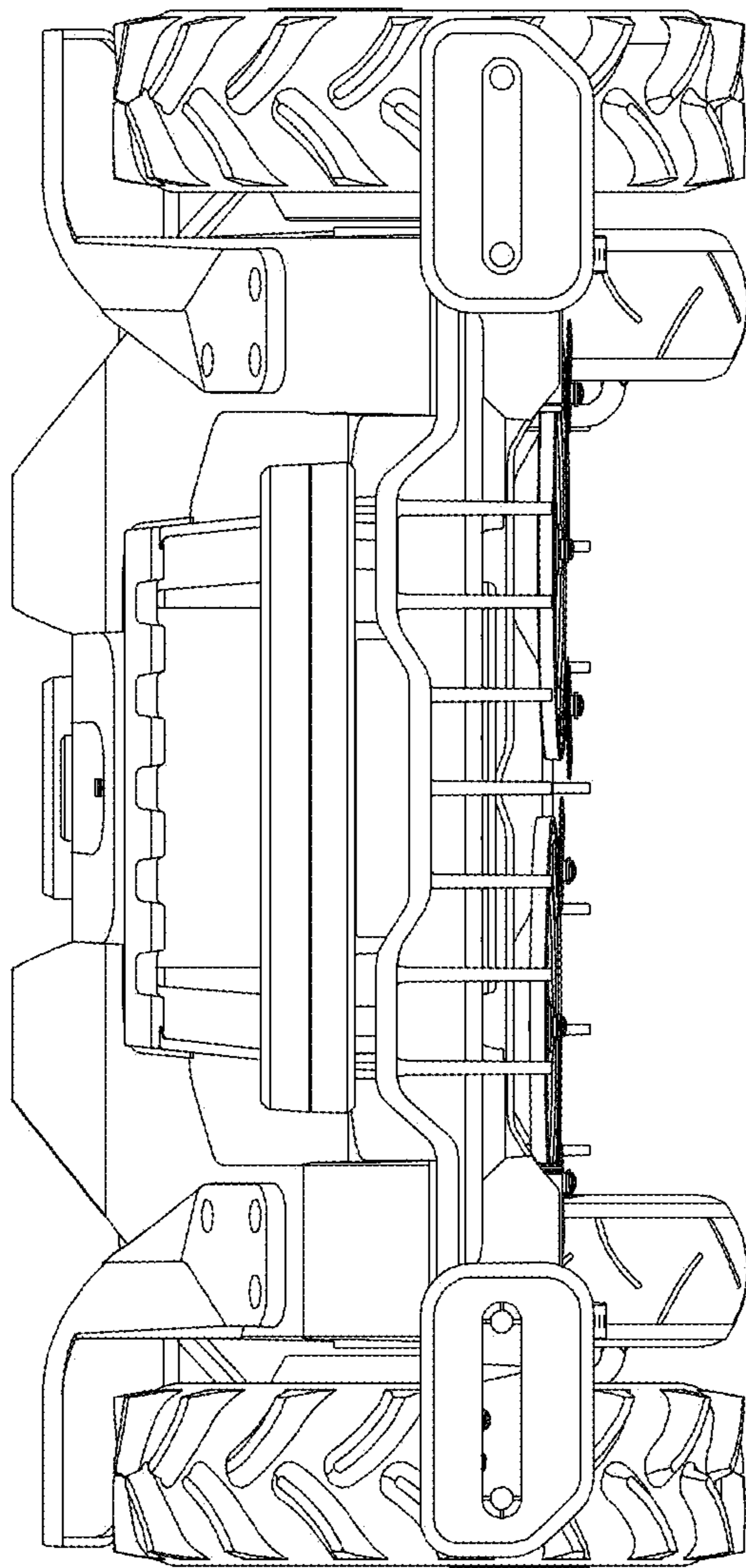


FIG. 5

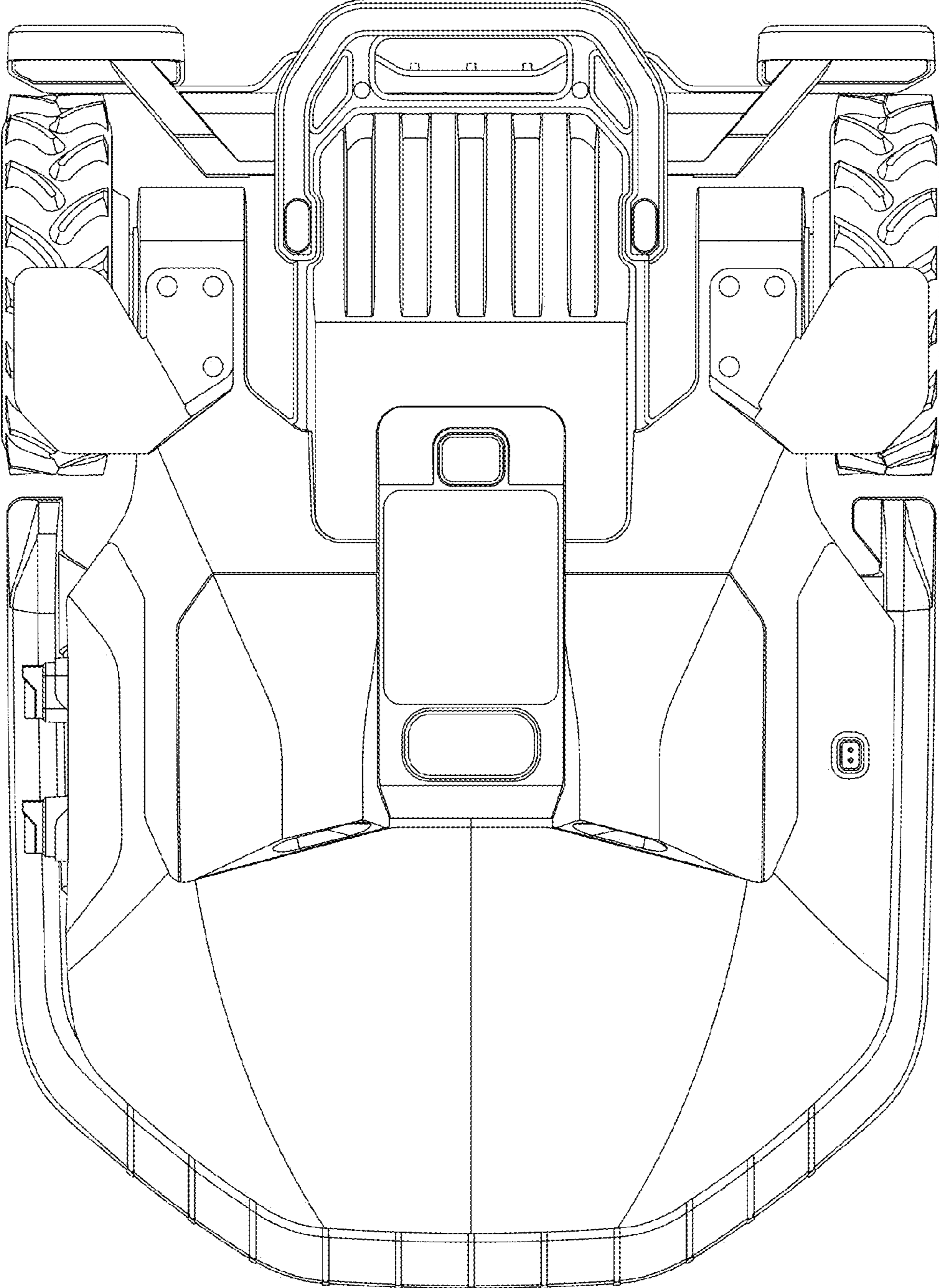


FIG. 6