



US00D979608S

(12) **United States Design Patent** (10) **Patent No.:** **US D979,608 S**
Beard et al. (45) **Date of Patent:** **** Feb. 28, 2023**

(54) **INFLATOR** 3,098,455 A 7/1963 Mcelroy et al.
3,160,118 A 12/1964 Newell
(71) Applicant: **Signode Industrial Group LLC,** 3,808,981 A 5/1974 Shaw
Tampa, FL (US) 3,915,096 A 10/1975 Salisbury
(Continued)

(72) Inventors: **Anthony K. Beard,** Poyen, AR (US);
Joseph W. Gault, Sheridan, AR (US)

(73) Assignee: **Signode Industrial Group LLC,**
Tampa, FL (US)

(**) Term: **15 Years**

(21) Appl. No.: **29/864,193**

(22) Filed: **May 13, 2022**

Related U.S. Application Data

(63) Continuation of application No. 29/824,117, filed on
Jan. 21, 2022, now abandoned, which is a
continuation of application No. 29/735,866, filed on
May 26, 2020, now Pat. No. Des. 943,636.

(51) **LOC (14) Cl.** **15-02**

(52) **U.S. Cl.**
USPC **D15/7**

(58) **Field of Classification Search**
USPC D15/7-9; D24/108, 110, 111; D13/103,
D13/107; D23/210, 225, 231, 232;
D8/61, 68
CPC B29C 73/00; F04B 17/03; F04B 49/00;
F04B 53/00; F04B 35/06; F04B 33/005;
F04B 17/06; E03B 5/00; B25B 21/00;
B25B 21/02; B60S 5/04; B60S 5/046;
F04D 25/0673

See application file for complete search history.

(56) **References Cited**

U.S. PATENT DOCUMENTS

2,960,942 A 11/1960 Pier et al.
3,076,472 A 2/1963 Newell

FOREIGN PATENT DOCUMENTS

AU 748188 B2 5/2002

OTHER PUBLICATIONS

Sun Joe, 24V-AJV-CT 24-Volt High-Volume Portable Inflator, Tool
Only, (first available Aug. 20, 2020), Amazon.com, URL:<https://
www.amazon.com/Sun-Joe-24V-AJV-CT-Portable-Inflator/dp/
B08GCW6JKS> (Year: 2020).*

(Continued)

Primary Examiner — Calvin E Vansant

Assistant Examiner — Mark T. Philipps

(74) *Attorney, Agent, or Firm* — Neal, Gerber &
Eisenberg LLP

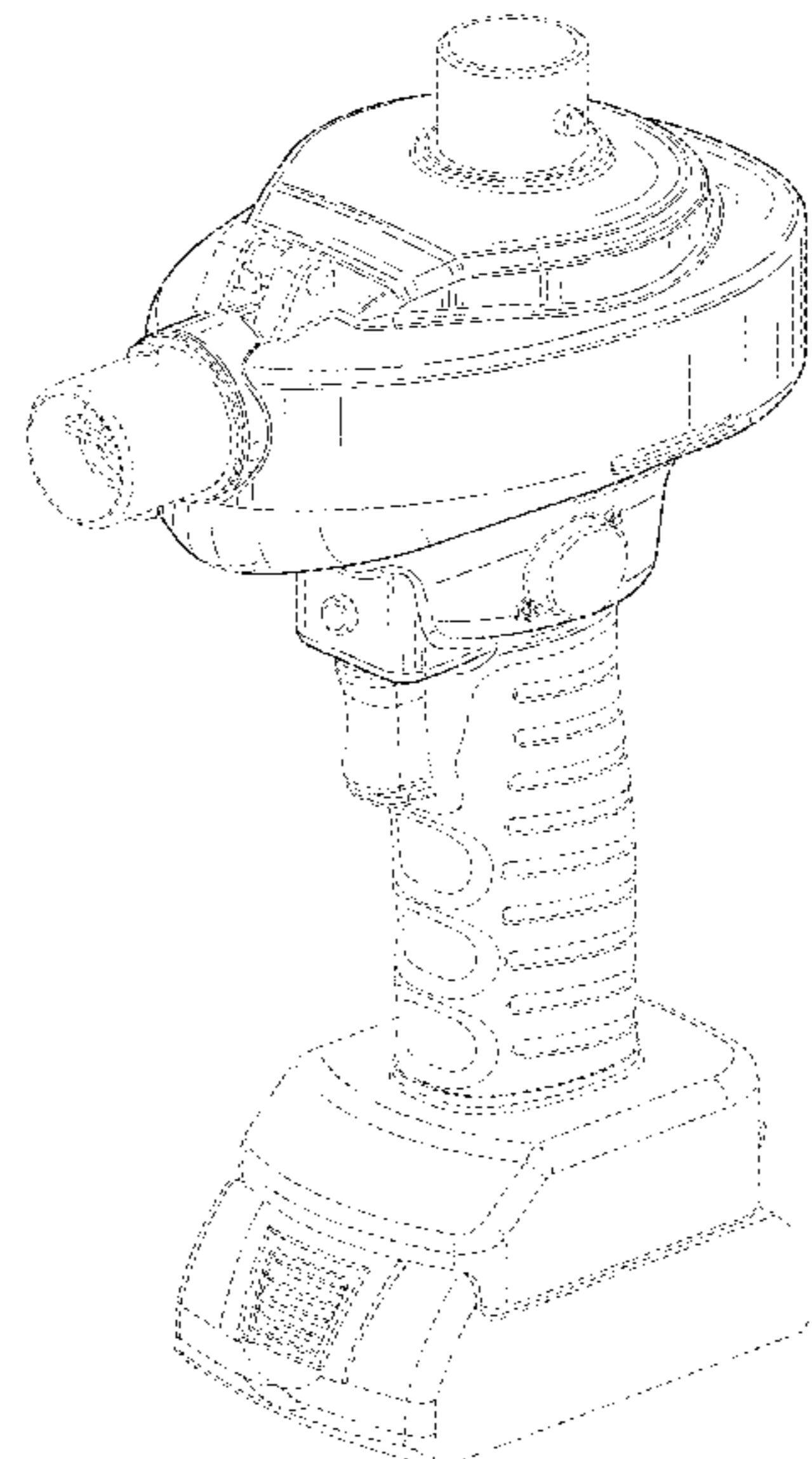
(57) **CLAIM**

The ornamental design for an inflator, as shown and
described.

DESCRIPTION

FIG. 1 is a perspective view of an inflator of our new design.
FIG. 2 is a front elevational view of the inflator of FIG. 1.
FIG. 3 is a back elevational view of the inflator of FIG. 1.
FIG. 4 is a right-side elevational view of the inflator of FIG.
1.
FIG. 5 is a left-side elevational view of the inflator of FIG.
1.
FIG. 6 is a top plan view of the inflator of FIG. 1; and,
FIG. 7 is a bottom plan view of the inflator of FIG. 1.
The broken lines in the drawings depict portions of the
inflator that form no part of the claimed design.

1 Claim, 7 Drawing Sheets



(56)

References Cited

U.S. PATENT DOCUMENTS

4,102,364 A 7/1978 Leslie et al.
 4,146,069 A 3/1979 Angarola et al.
 4,146,070 A 3/1979 Angarola et al.
 4,418,737 A 12/1983 Goodell et al.
 4,583,566 A 4/1986 Kalavitz et al.
 4,872,492 A 10/1989 Mcanally et al.
 4,921,402 A 5/1990 Nelson et al.
 5,056,558 A 10/1991 Rodgers
 5,082,244 A 1/1992 Krier et al.
 5,180,456 A 1/1993 Schultz et al.
 5,339,602 A 8/1994 Landers et al.
 5,437,301 A 8/1995 Ramsey
 5,454,407 A 10/1995 Huza et al.
 5,552,003 A 9/1996 Hoover et al.
 5,566,728 A 10/1996 Lange
 5,806,572 A 9/1998 Voller
 5,829,492 A 11/1998 Gavronsky et al.
 5,862,843 A 1/1999 Corbitt
 5,876,359 A 3/1999 Bock et al.
 5,947,168 A 9/1999 Viard
 D415,500 S 10/1999 Poon
 6,085,744 A 7/2000 Hermansen et al.
 6,253,806 B1 7/2001 Sperry et al.
 6,293,147 B1 9/2001 Parker et al.
 D464,976 S 10/2002 Krieger et al.
 6,457,921 B1 10/2002 Freeman
 6,530,751 B1 3/2003 Song et al.
 6,561,236 B1 5/2003 Sperry et al.
 6,569,283 B1 5/2003 Sperry et al.
 6,676,042 B2 1/2004 Howlett et al.
 D486,159 S 2/2004 Poon
 D487,899 S 3/2004 Poon
 6,729,110 B2 5/2004 Sperry et al.
 6,746,190 B2 6/2004 Freeman
 6,793,469 B2 9/2004 Chung
 7,063,514 B1 6/2006 Wu
 7,073,545 B2 7/2006 Smith et al.
 7,127,762 B1 10/2006 Lau
 7,320,347 B2 1/2008 Ramsey et al.
 7,434,600 B1 10/2008 Swierkocki et al.
 7,455,086 B1 11/2008 Elze et al.
 7,510,359 B2 3/2009 Sperry et al.
 7,571,500 B2 8/2009 Wu

7,588,425 B2 9/2009 Chung
 7,610,929 B2 11/2009 Zielinski et al.
 7,644,739 B1 1/2010 Vezzosi et al.
 7,677,267 B2 3/2010 Warnick
 7,793,687 B2 9/2010 Smith et al.
 7,887,303 B2 2/2011 Sadkowski et al.
 7,913,724 B2 3/2011 Pansegrouw
 7,980,799 B1 7/2011 Rioux et al.
 8,133,039 B2 3/2012 Anderson et al.
 8,162,009 B2 4/2012 Chaffee
 8,413,278 B2 4/2013 Chaffee
 8,414,272 B2 4/2013 Swisher et al.
 D726,771 S 4/2015 Pansegrouw et al.
 D764,551 S 8/2016 Fowler et al.
 D805,109 S 12/2017 Exley
 D817,364 S 5/2018 He
 9,969,315 B2 5/2018 Beard et al.
 D904,461 S 12/2020 Konantambigi et al.
 D928,841 S * 8/2021 Beard D15/7
 D940,204 S 1/2022 Shi
 D943,636 S 2/2022 Beard et al.
 2004/0181156 A1 9/2004 Kingsford et al.
 2012/0114505 A1 5/2012 Pansegrouw et al.
 2013/0139601 A1 6/2013 Tschantz et al.
 2015/0034196 A1 2/2015 Petrucci et al.
 2018/0187687 A1* 7/2018 Yakubova F04D 13/068

OTHER PUBLICATIONS

“Kobalt, 24V Cordless High Volume Inflator 24-Volt Lithium Ion (Li-Ion) Air Inflator”, (site visited on Apr. 28, 2021), Lowe’s website, URL:<<https://www.lowes.com/pd/Kobalt-24V-Cordless-High-Volume-Inflator-24-Volt-Lithium-Ion-Li-Ion-Air-Inflator-Power-Source-Battery/1001464244>> (Year: 2021).
 “Ryobi 18-Volt ONE+ Lithium-Ion Cordless High Volume Power Inflator Kit with 1.3 Ah Battery and 18-Volt Charger”, https://www.homedepot.com/p/RYOBI-18-Volt-ONE-Lithium-Ion-Cordless-High-Volume-Power-Inflator-Kit-with-1-3-Ah-Battery-and-18-Volt-Charger-P738KN/305986956?MERCH=REC--PIPHorizontal2_44--308692506--305986956--N, available before Apr. 10, 2019.
 “SuperFlow Inflation System”, Shippers Products, Sheridan, AR, available before Aug. 1, 2018 (2 pages).

* cited by examiner

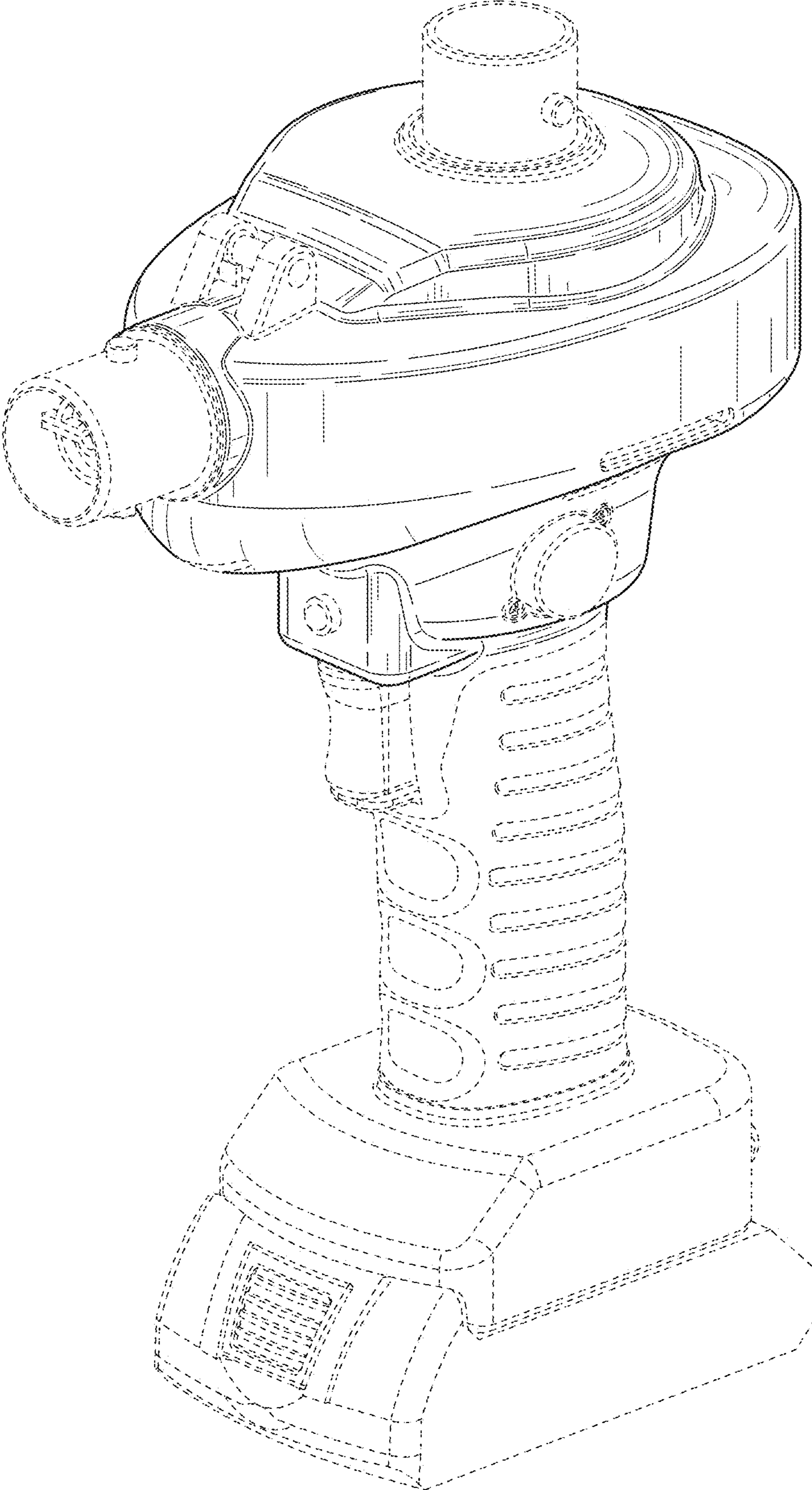


FIG. 1

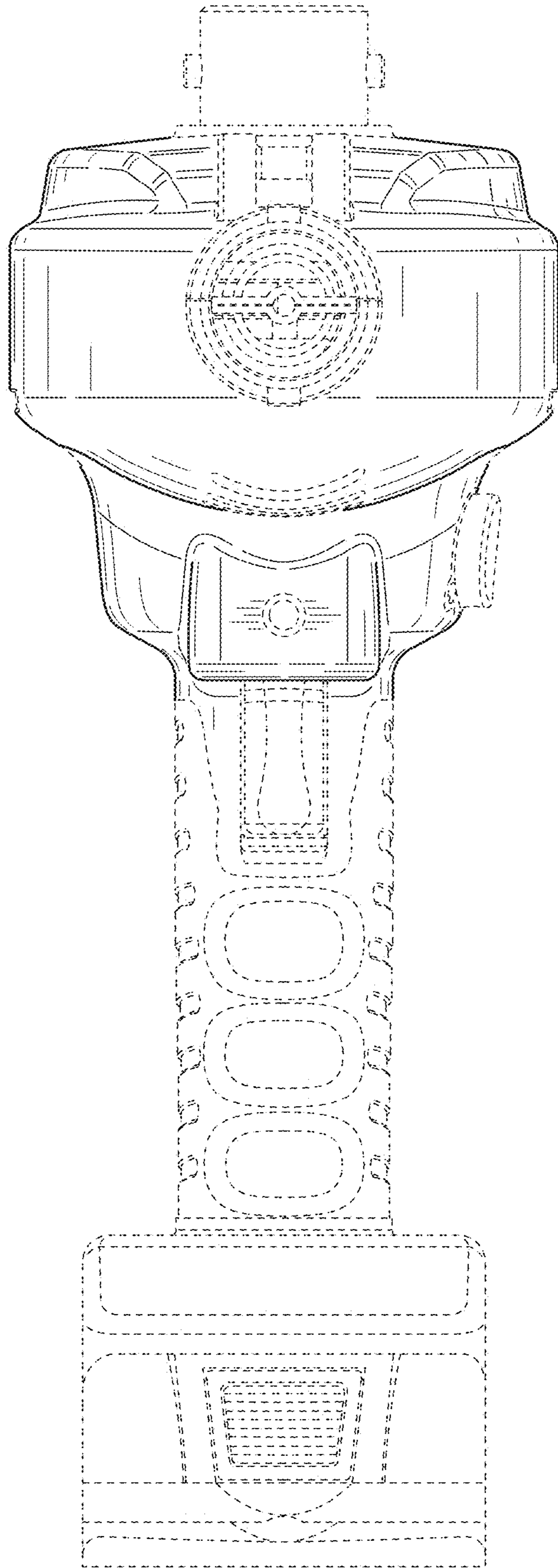


FIG. 2

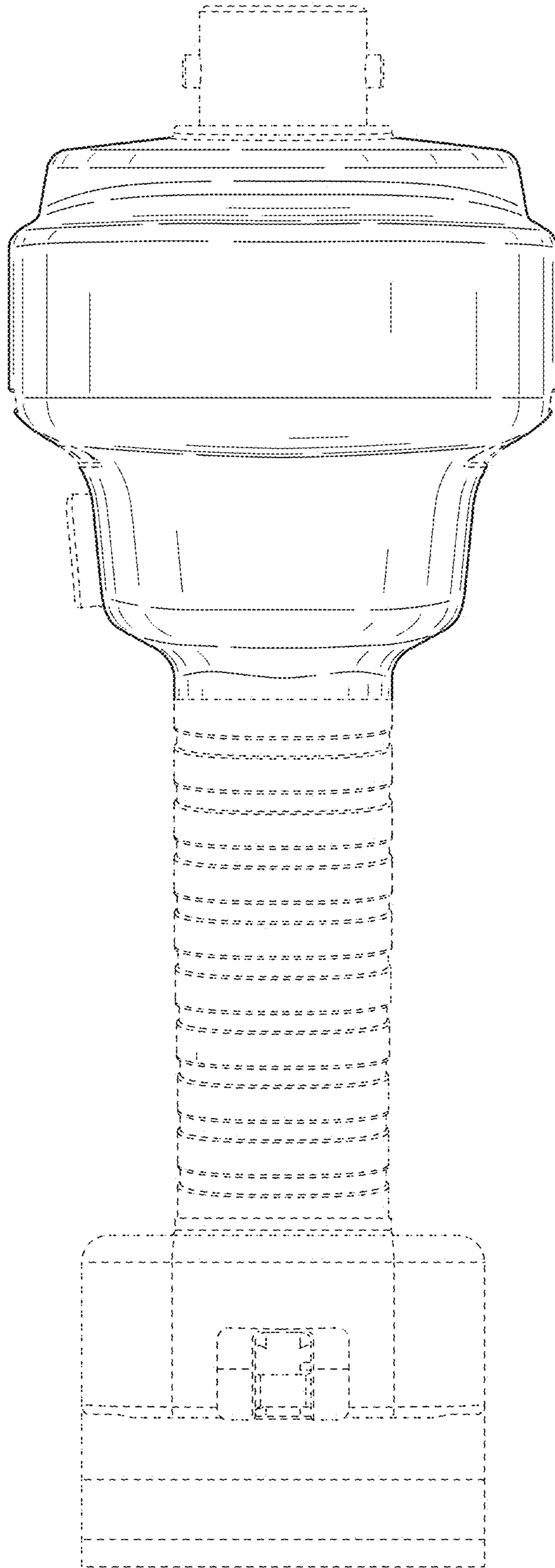


FIG. 3

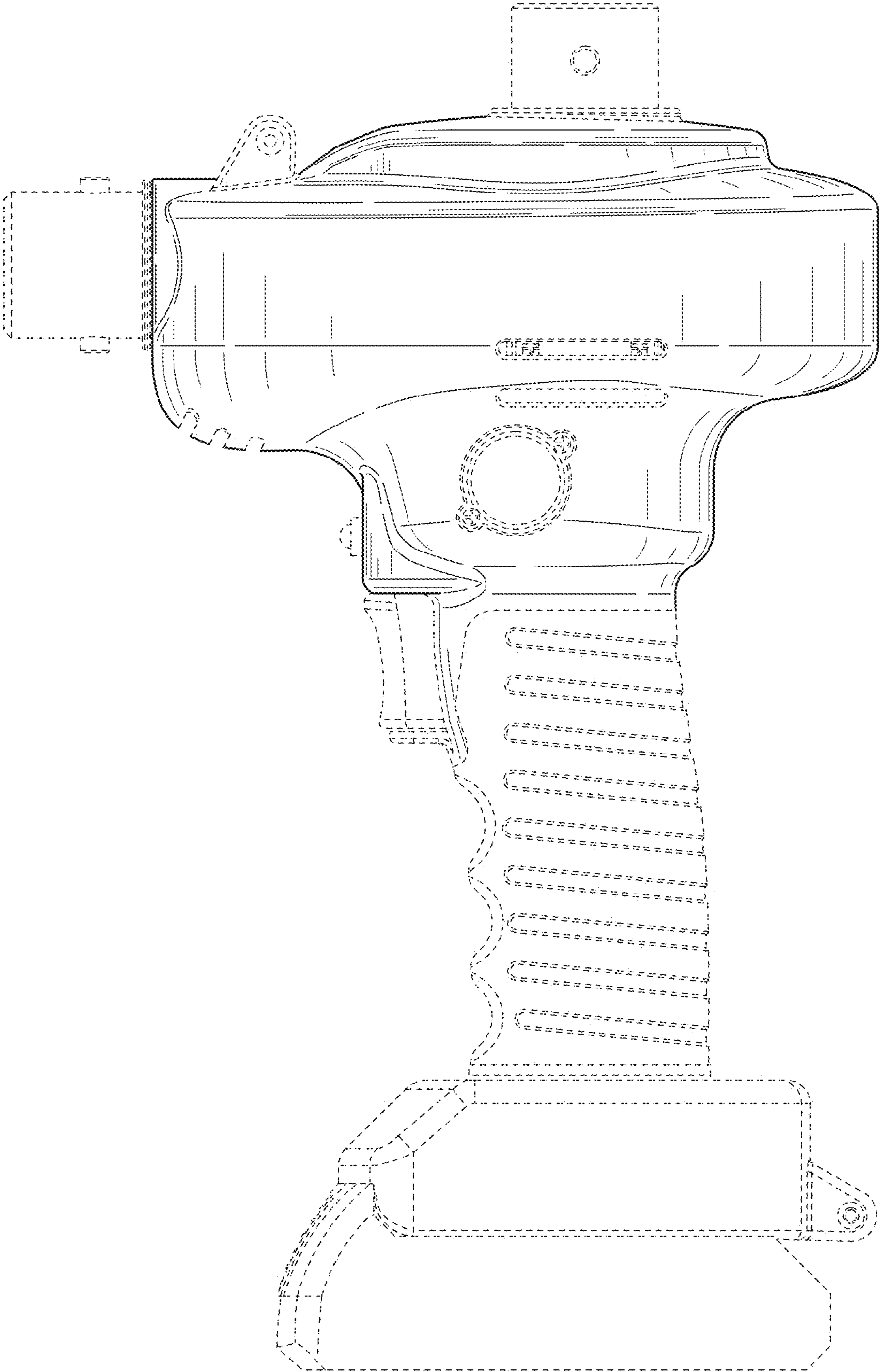


FIG. 4

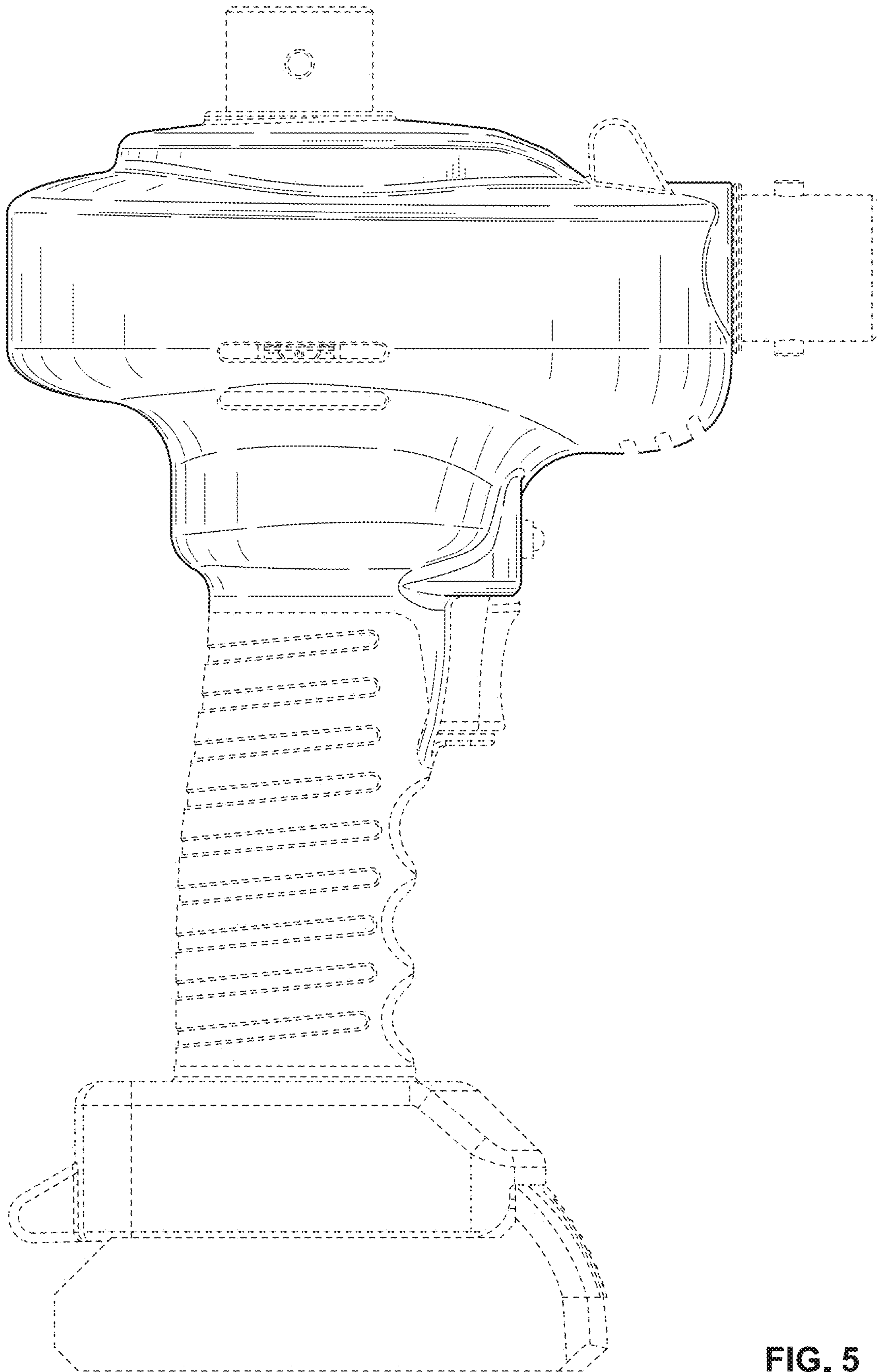


FIG. 5

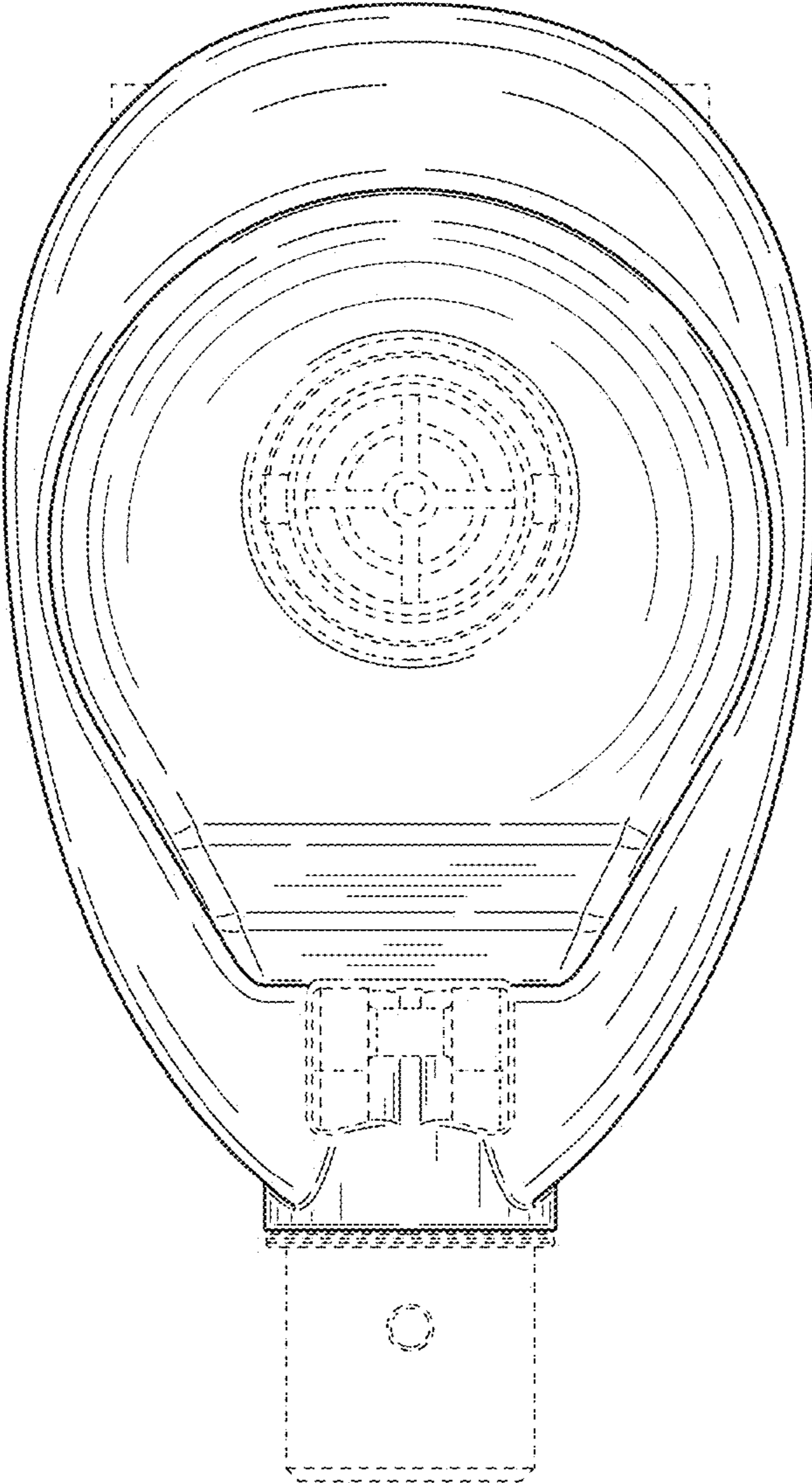


FIG. 6

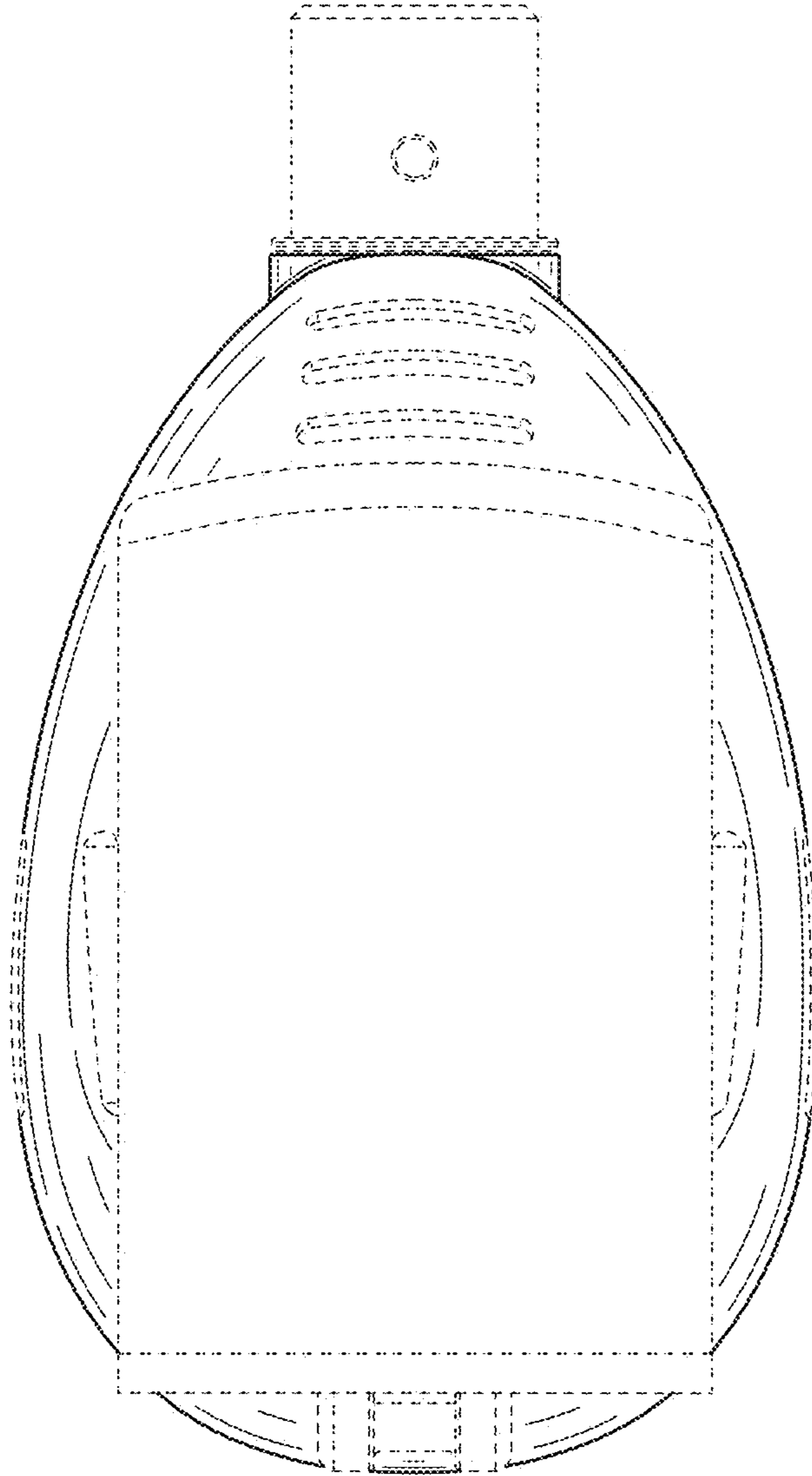


FIG. 7