



US00D979607S

(12) **United States Design Patent**  
**Hable et al.**

(10) **Patent No.:** **US D979,607 S**

(45) **Date of Patent:** **\*\* Feb. 28, 2023**

(54) **IMPELLER FOR A PUMP**

(71) Applicant: **W.S. Darley & Co.**, Itasca, IL (US)

(72) Inventors: **Wayne Hable**, Chippewa Falls, WI (US); **Sheldon Susa**, Chippewa Falls, WI (US)

(73) Assignee: **W.S. Darley & Co.**, Itasca, IL (US)

(\*\*) Term: **15 Years**

(21) Appl. No.: **29/722,937**

(22) Filed: **Feb. 3, 2020**

(51) **LOC (14) Cl.** ..... **15-02**

(52) **U.S. Cl.**  
USPC ..... **D15/7**

(58) **Field of Classification Search**  
USPC ..... D13/118, 179; D15/7-9, 126, 147; D23/338, 379, 411, 413, 414; D7/376, D7/377; D24/111  
CPC ..... F04D 9/00; F04D 9/02; F04D 7/00; F04D 7/02; F04D 7/04; F04D 7/06; F04D 5/00; F04D 3/00; F04D 3/02; F04D 29/04; F04D 29/18; F04D 29/22; F04D 29/24; F04D 29/62; F04D 29/66  
See application file for complete search history.

(56) **References Cited**

**U.S. PATENT DOCUMENTS**

3,362,338	A *	1/1968	Walter	.....	F04D 29/2233	416/183
D762,840	S *	8/2016	Wilkins	.....	D15/7	
2011/0129344	A1 *	6/2011	Burgess	.....	F04D 29/2288	416/182
2011/0243732	A1 *	10/2011	Yang	.....	F04D 29/2255	416/91
2014/0030099	A1 *	1/2014	Hayman	.....	F04D 29/2222	416/219 R
2015/0292516	A1 *	10/2015	Ree	.....	F04D 29/2288	415/203

2015/0337665 A1\* 11/2015 Yang ..... F01D 5/141 416/228

2018/0112673 A1\* 4/2018 Manninen ..... F04D 29/445

2018/0142696 A1\* 5/2018 Le Dore ..... F04D 29/2205

(Continued)

**OTHER PUBLICATIONS**

CWT, Balancing Machines for Impellers and Pumps, (site visited Feb. 24, 2020), CWT Industries Website, URL:<<https://www.cwtindustries.com/BalancingMachinesforImpellersAndPumps.htm>> (Year: 2022).\*

(Continued)

*Primary Examiner* — Calvin E Vansant

*Assistant Examiner* — Mark T. Philipps

(74) *Attorney, Agent, or Firm* — Anthony J. Bourget

(57) **CLAIM**

The ornamental design for an impeller for a pump, as shown and described.

**DESCRIPTION**

FIG. 1 is a front perspective view of an impeller for a pump showing the new design;

FIG. 2 is a rear perspective view thereof;

FIG. 3 is a front view thereof;

FIG. 4 is a rear view thereof;

FIG. 5 is a left side view thereof;

FIG. 6 is a right side view thereof;

FIG. 7 is a top view thereof; and,

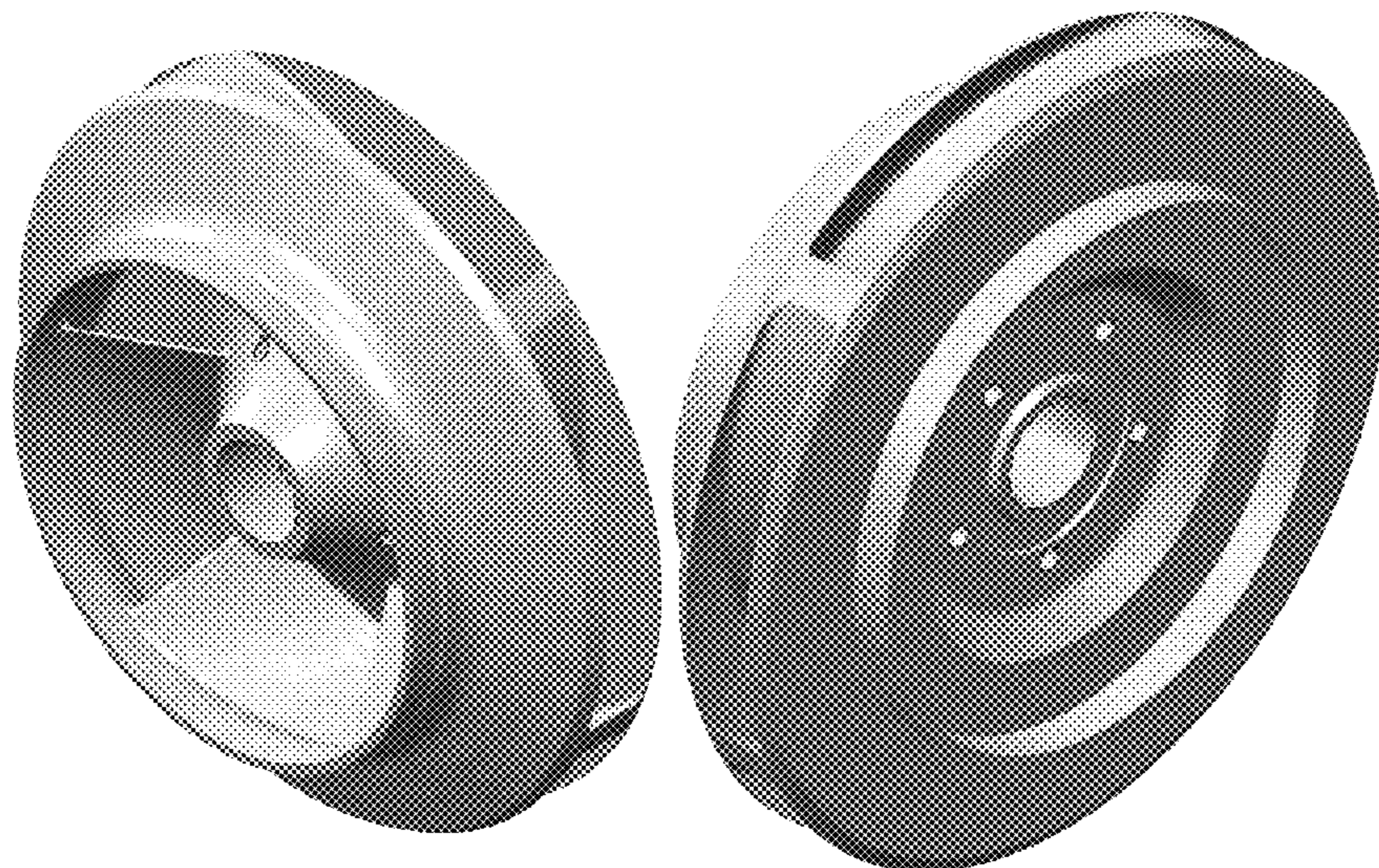
FIG. 8 is a bottom view thereof.

The design includes a mirror image of the embodiment depicted.

The drawings include shadows and reflections, which indicate contour and not surface ornamentation.

Those portions of the drawings shown in broken lines, as well as the interior cylindrical surfaces between those circular broken lines, depict portions of the impeller for a pump that form no part of the claimed design.

**1 Claim, 8 Drawing Sheets**



(56)

**References Cited**

U.S. PATENT DOCUMENTS

2019/0003322 A1\* 1/2019 Rettberg ..... B22F 10/20  
2020/0318647 A1\* 10/2020 Xu ..... F04D 29/626  
2021/0003143 A1\* 1/2021 Xu ..... F04D 29/626  
2021/0062819 A1\* 3/2021 Sakanassi ..... F04D 29/242

OTHER PUBLICATIONS

Bell & Gossett, 118440LF Bell & Gossett Brass Pump Impeller 3-7/8", (site visited Feb. 24, 2022), National Pump Supply, URL:<<https://www.nationalpumpsupply.com/118440lf-bell-gossett-brass-pump-impeller-3-7-8/>> (Year: 2022).\*

KFR Engineers, Aluminum Pump Impellers, (site visited Feb. 24, 2022), Indiamart, URL:<<https://www.indiamart.com/kfengineers/pump-impeller.html>> (Year: 2022).\*

\* cited by examiner



Fig. 1

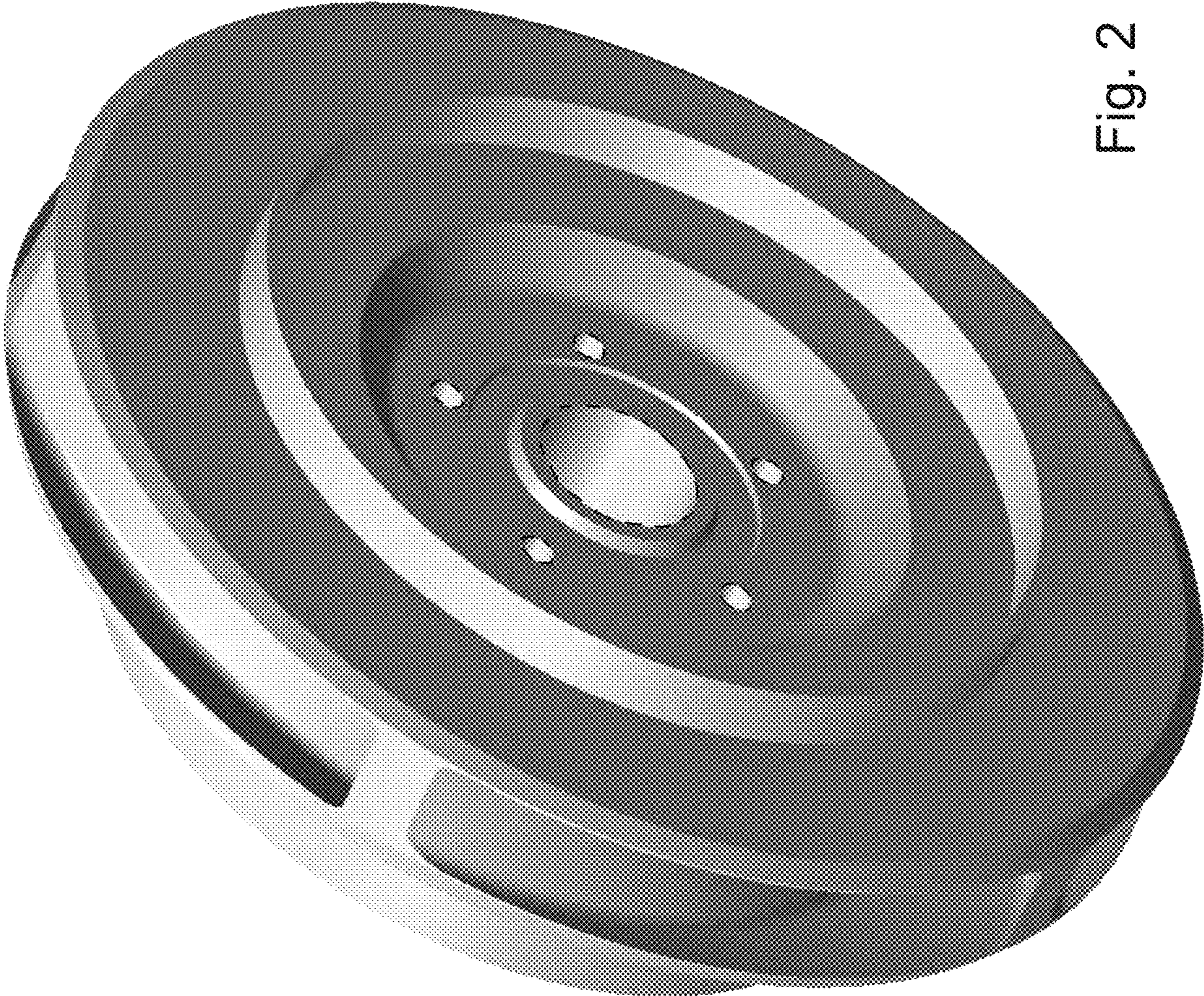


Fig. 2

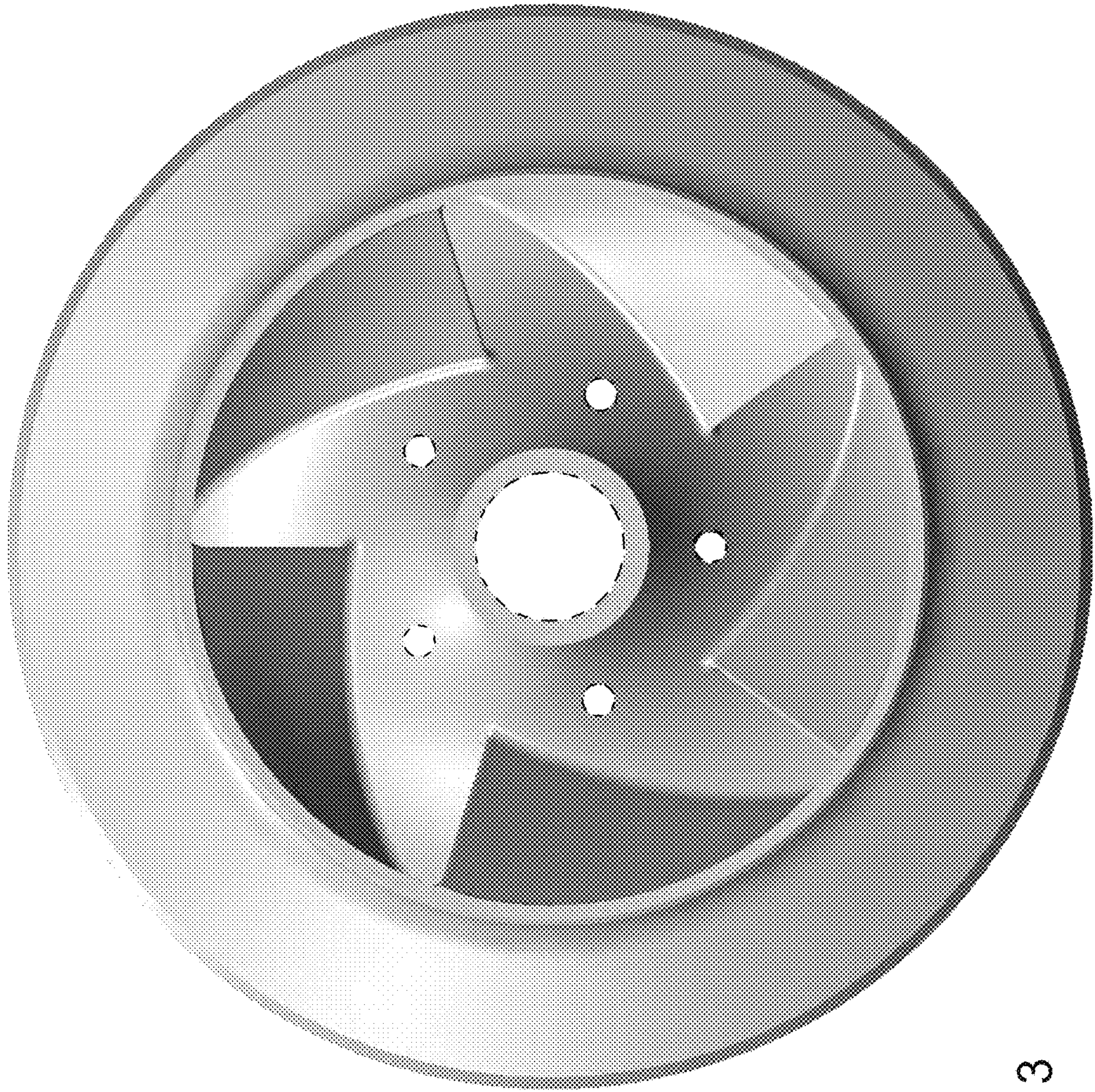


Fig. 3

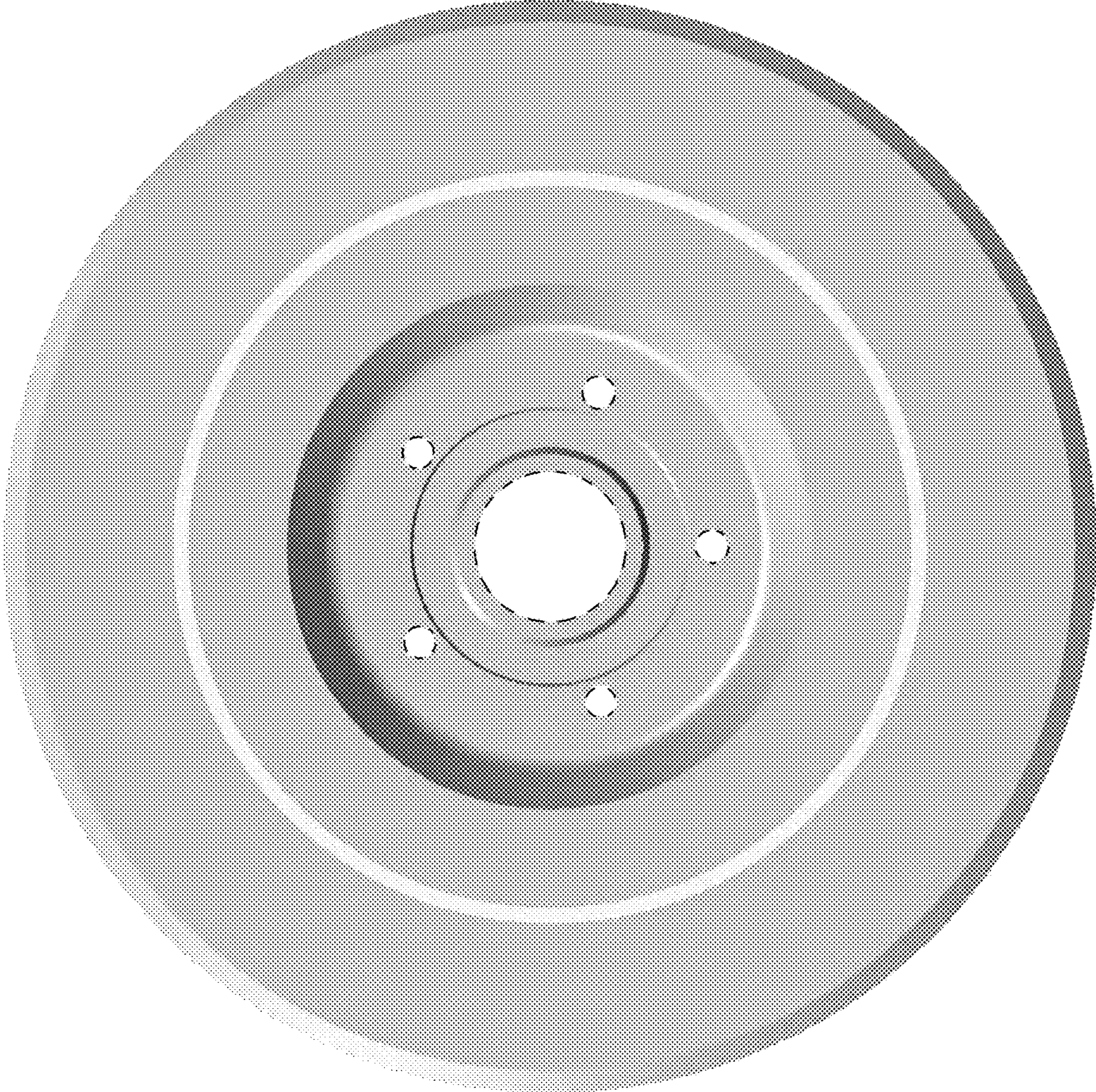


Fig. 4

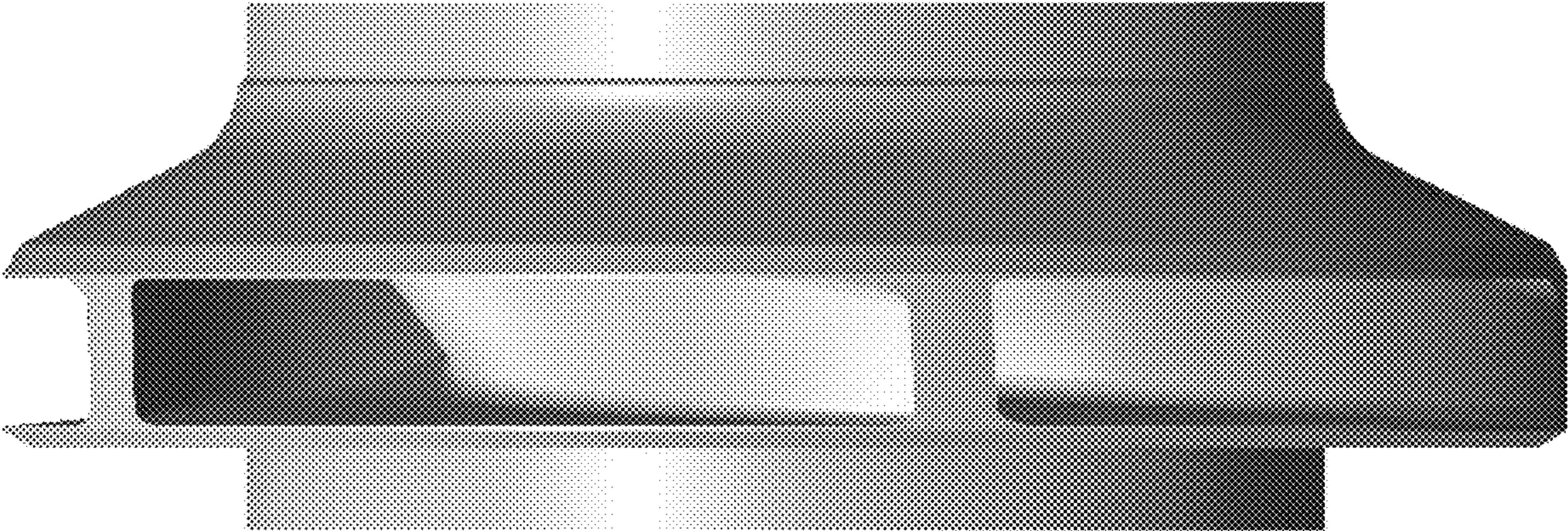


Fig. 5

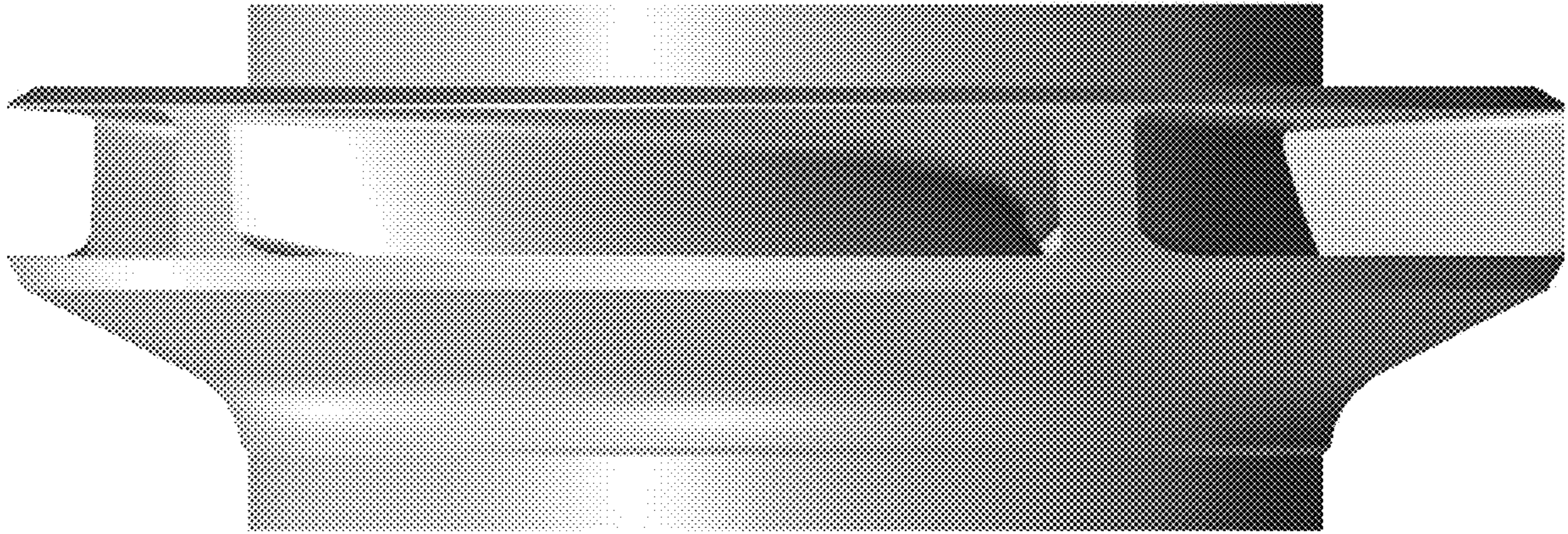


Fig. 6



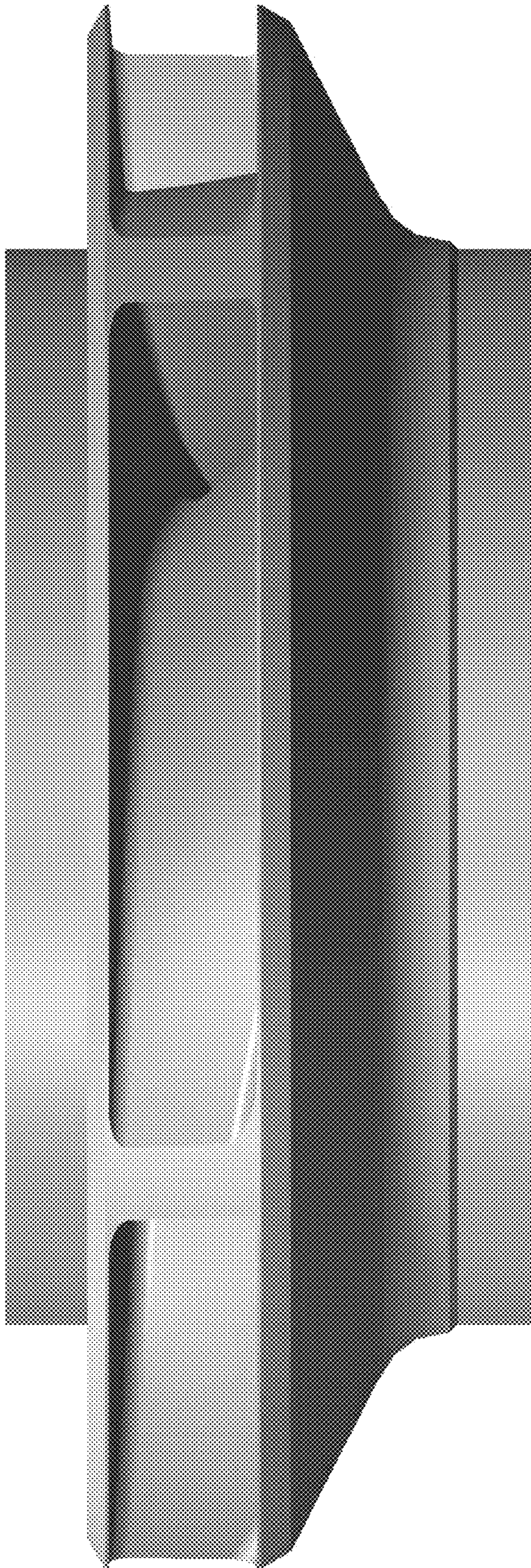


Fig. 7

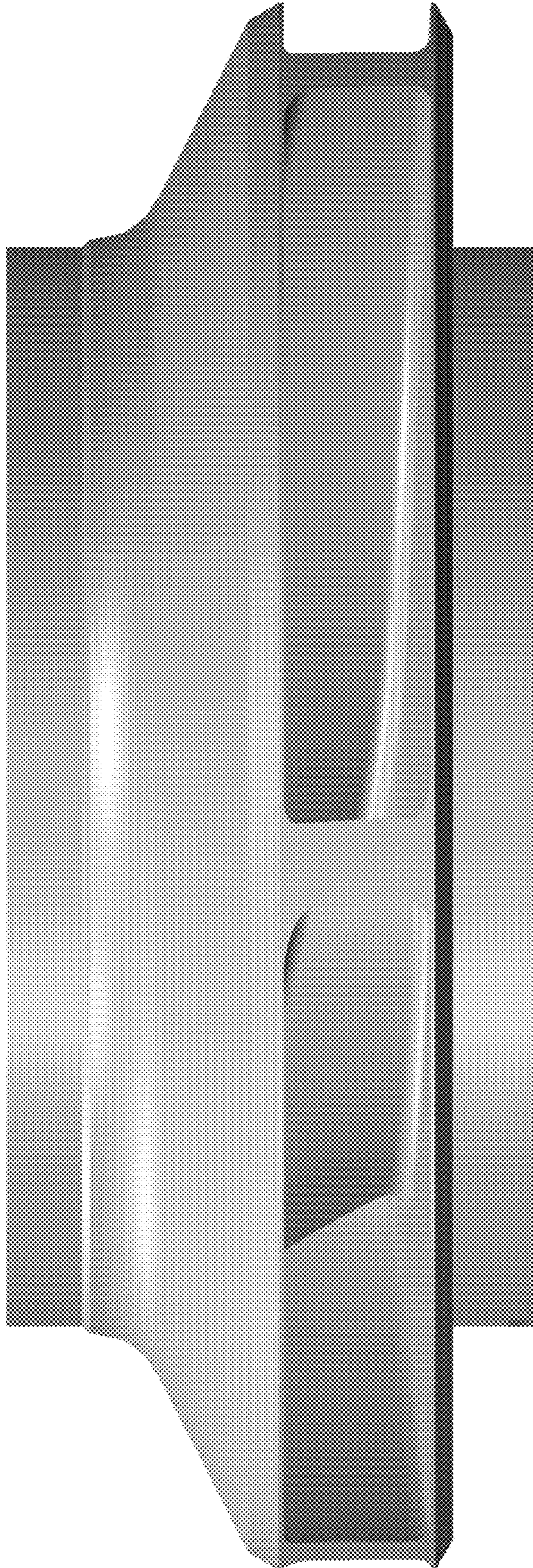


Fig. 8