



US00D979603S

(12) **United States Design Patent** (10) **Patent No.:** **US D979,603 S**  
**Yoder et al.** (45) **Date of Patent:** **\*\* Feb. 28, 2023**

(54) **ARMATURE CAM**

(71) Applicant: **Warn Automotive, LLC**, Milwaukie, OR (US)

(72) Inventors: **Bryan Yoder**, Corvallis, OR (US);  
**Evan Placek**, Newberg, OR (US);  
**Adam Reiner**, Wilsonville, OR (US)

(73) Assignee: **Warn Automotive, LLC**, Milwaukie, OR (US)

(\*\*) Term: **15 Years**

(21) Appl. No.: **29/671,844**

(22) Filed: **Nov. 30, 2018**

(51) **LOC (14) Cl.** ..... **15-01**

(52) **U.S. Cl.**  
USPC ..... **D15/5**

(58) **Field of Classification Search**  
USPC ..... D15/5, 7, 8, 9, 9.1, 138, 149, 199  
CPC ..... B60W 20/10; B60K 17/02; B60K 17/04;  
B60K 17/356; B60K 23/08  
See application file for complete search history.

(56) **References Cited**

**U.S. PATENT DOCUMENTS**

D364,179 S	*	11/1995	Brush	.....	D15/5
D382,283 S	*	8/1997	Benson	.....	D15/148
D384,675 S	*	10/1997	Murakami	.....	D15/7
D408,829 S	*	4/1999	Jones	.....	D15/5
D848,485 S	*	5/2019	Kurokawa	.....	D15/5

D849,797 S	*	5/2019	Linker	.....	D15/5
D881,767 S	*	4/2020	Yoder	.....	D12/180
D890,237 S	*	7/2020	Yoder	.....	D34/33
D902,252 S	*	11/2020	Joshi	.....	D15/5
D910,717 S	*	2/2021	Boyce	.....	D15/5
D913,336 S	*	3/2021	Joshi	.....	D15/5
D933,113 S	*	10/2021	Reiter	.....	D15/5
D940,759 S	*	1/2022	Linker	.....	D15/5
D943,003 S	*	2/2022	Boyce	.....	D15/5

\* cited by examiner

*Primary Examiner* — Michael C Stout

*Assistant Examiner* — Fritzgerald L Butac

(74) *Attorney, Agent, or Firm* — Fish & Richardson P.C.

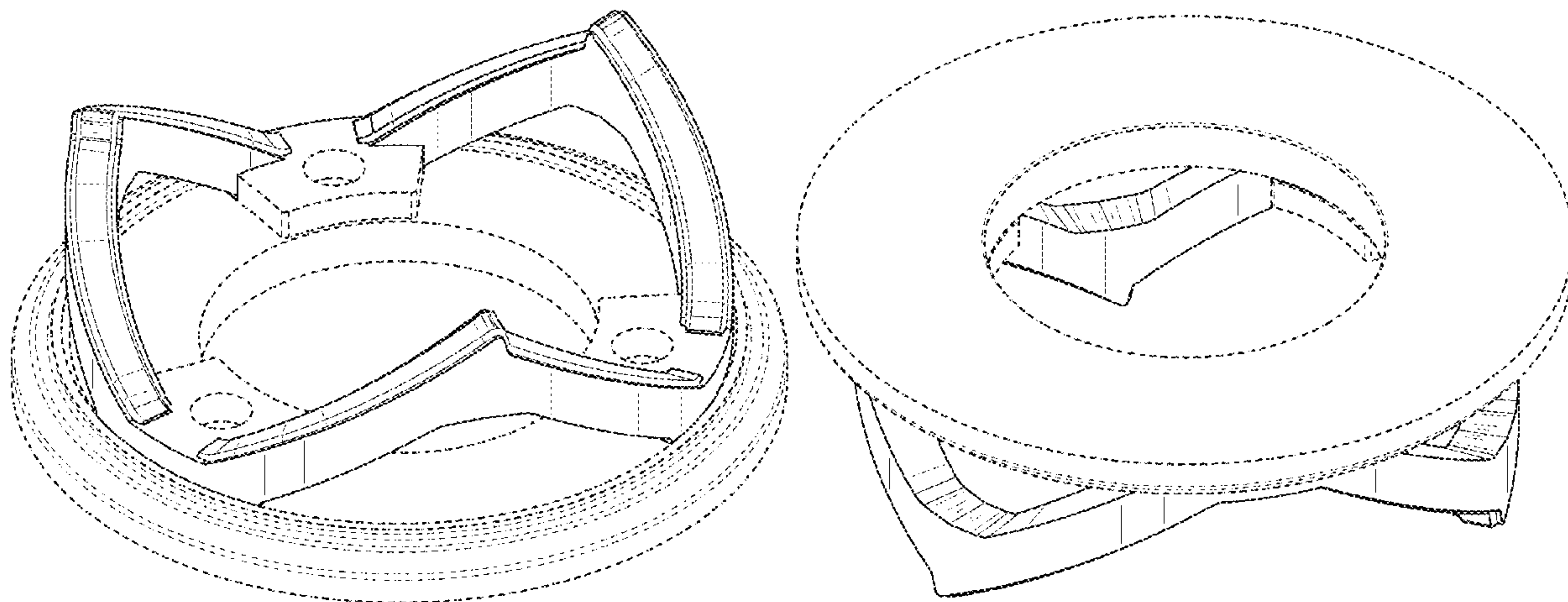
(57) **CLAIM**

The ornamental design for an armature cam, as shown and described.

**DESCRIPTION**

FIG. 1 is a front view of an armature cam, according to the present invention;  
FIG. 2 is a rear elevation view thereof;  
FIG. 3 is a right-side elevation view thereof;  
FIG. 4 is a left side elevation view thereof;  
FIG. 5 is a bottom plan view thereof;  
FIG. 6 is a top plan view thereof;  
FIG. 7 is a top-front-left side perspective view thereof;  
FIG. 8 is a top-rear-right side perspective view thereof; and,  
FIG. 9 is a bottom-front-right side perspective view thereof.  
The broken lines shown in FIGS. 1-9 illustrate portions of the armature cam that form no part of the claimed design.

**1 Claim, 9 Drawing Sheets**



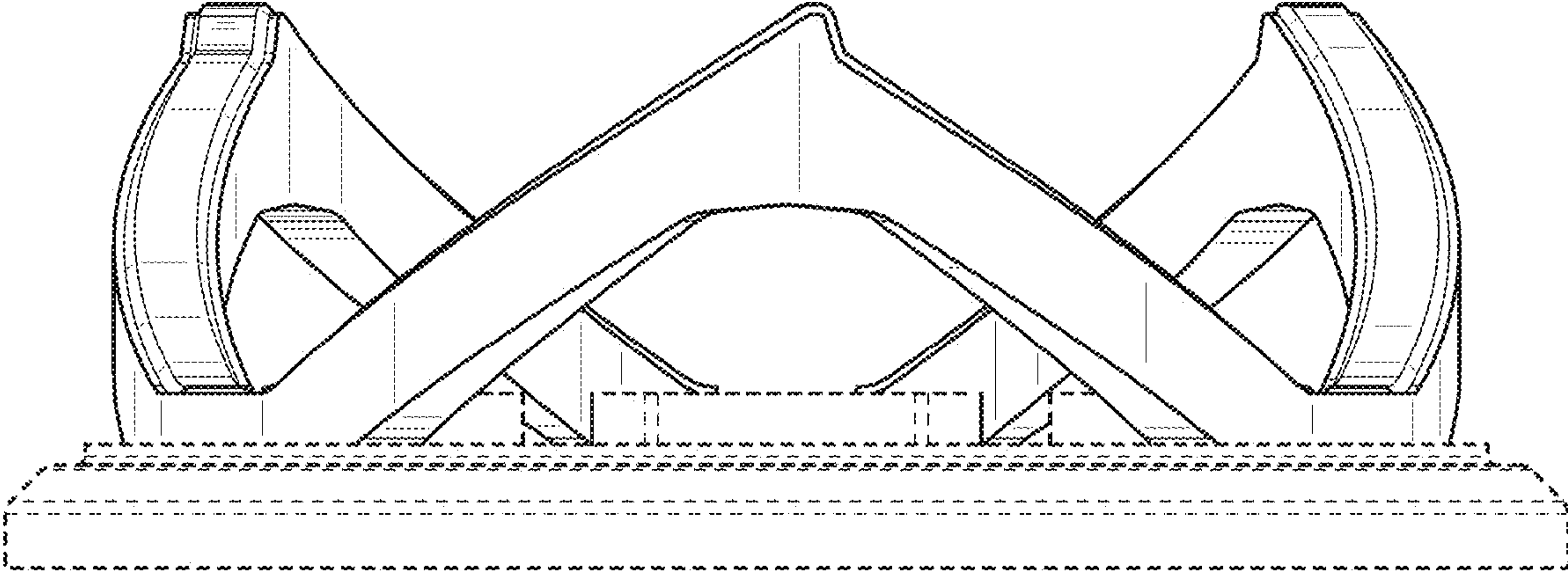


FIG. 1

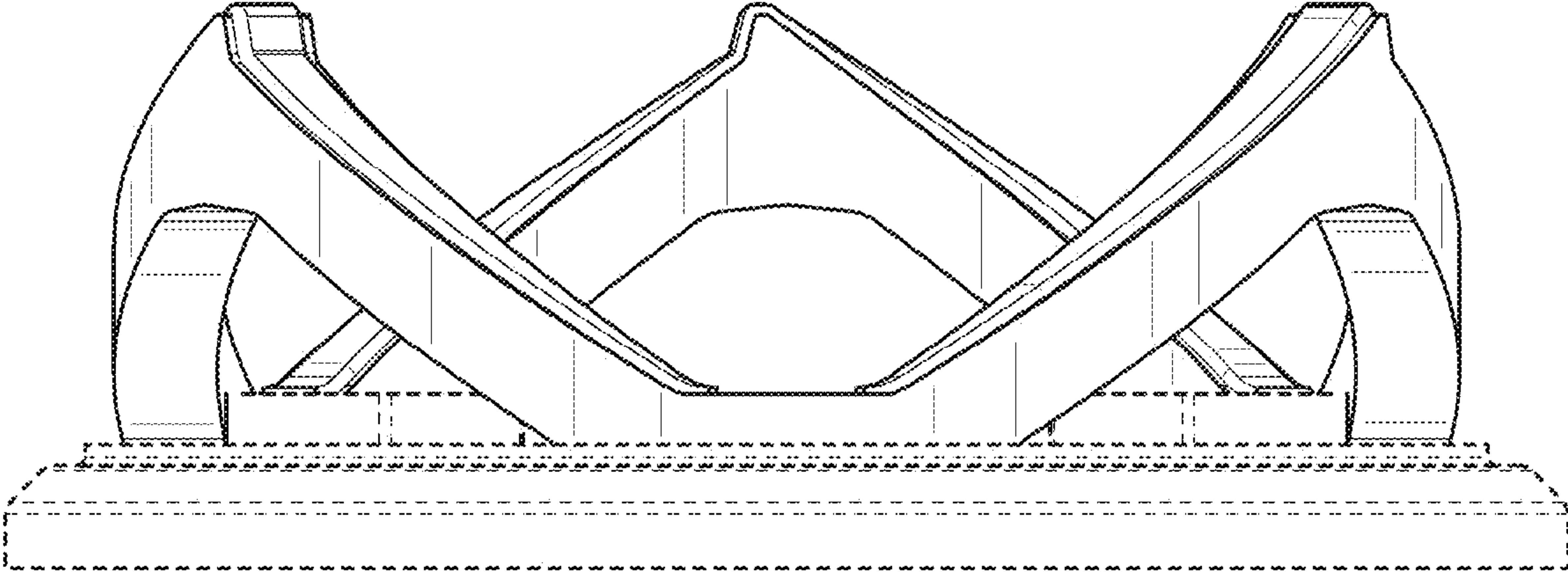


FIG. 2

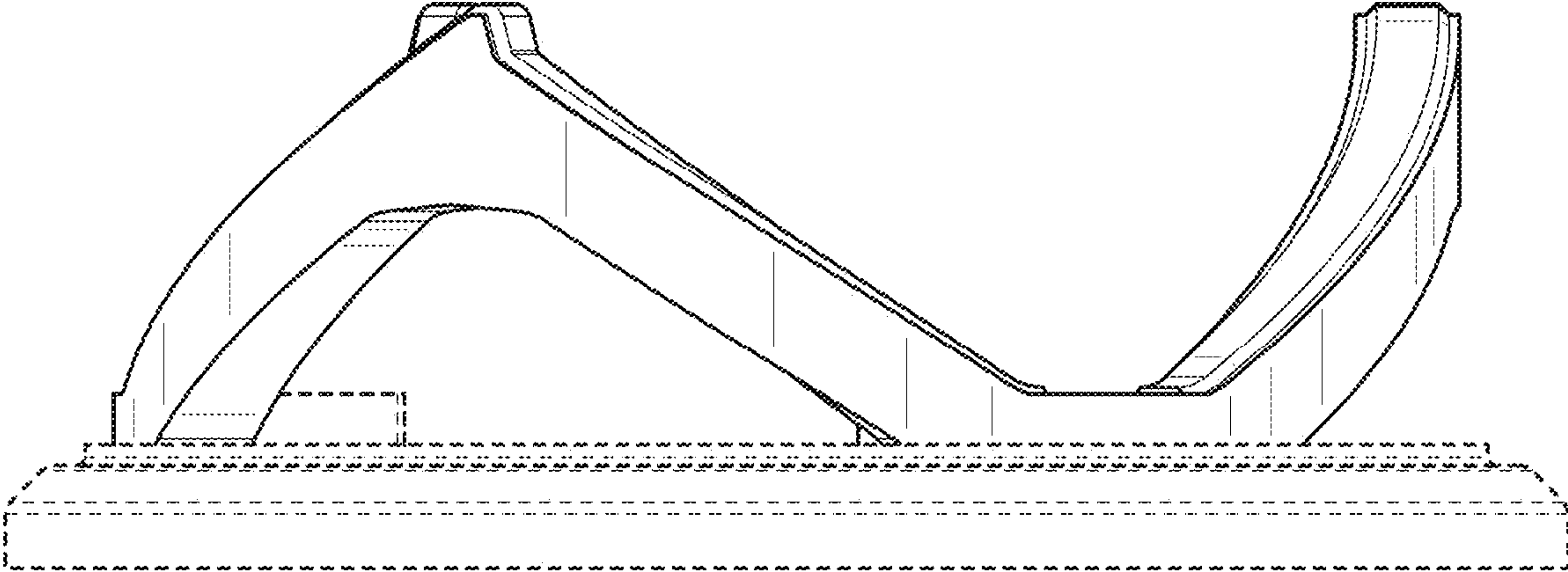


FIG. 3

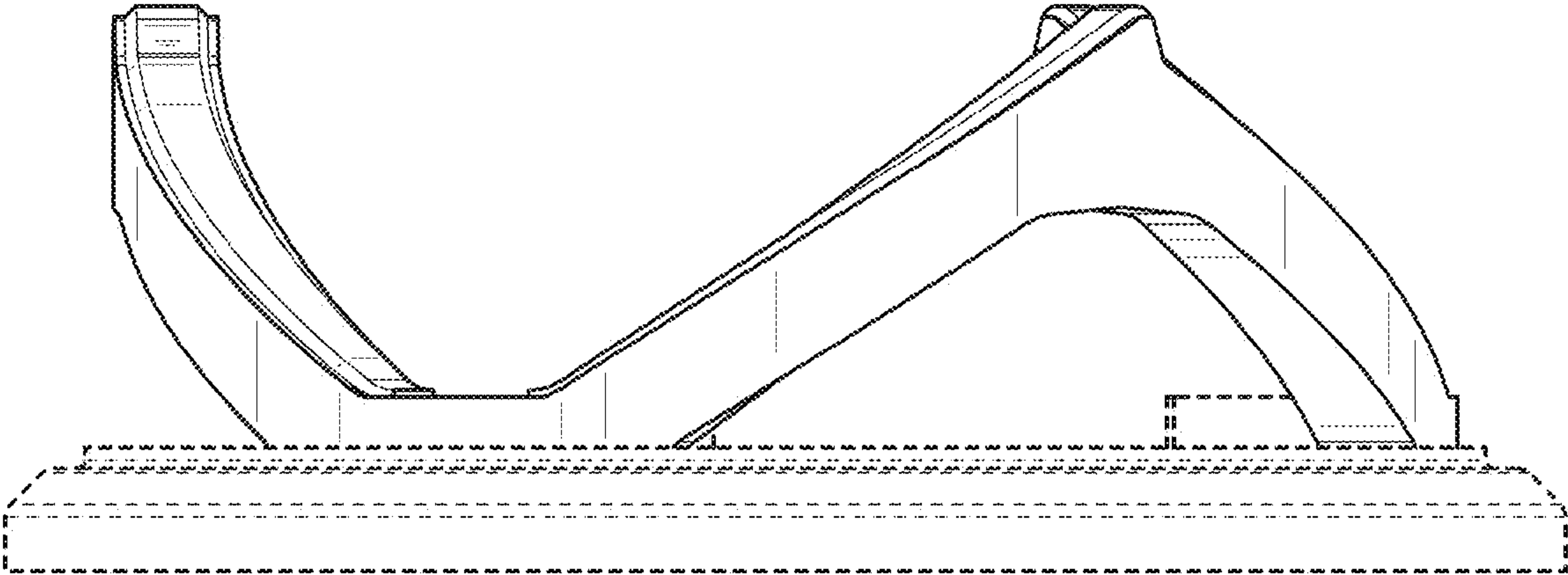


FIG. 4

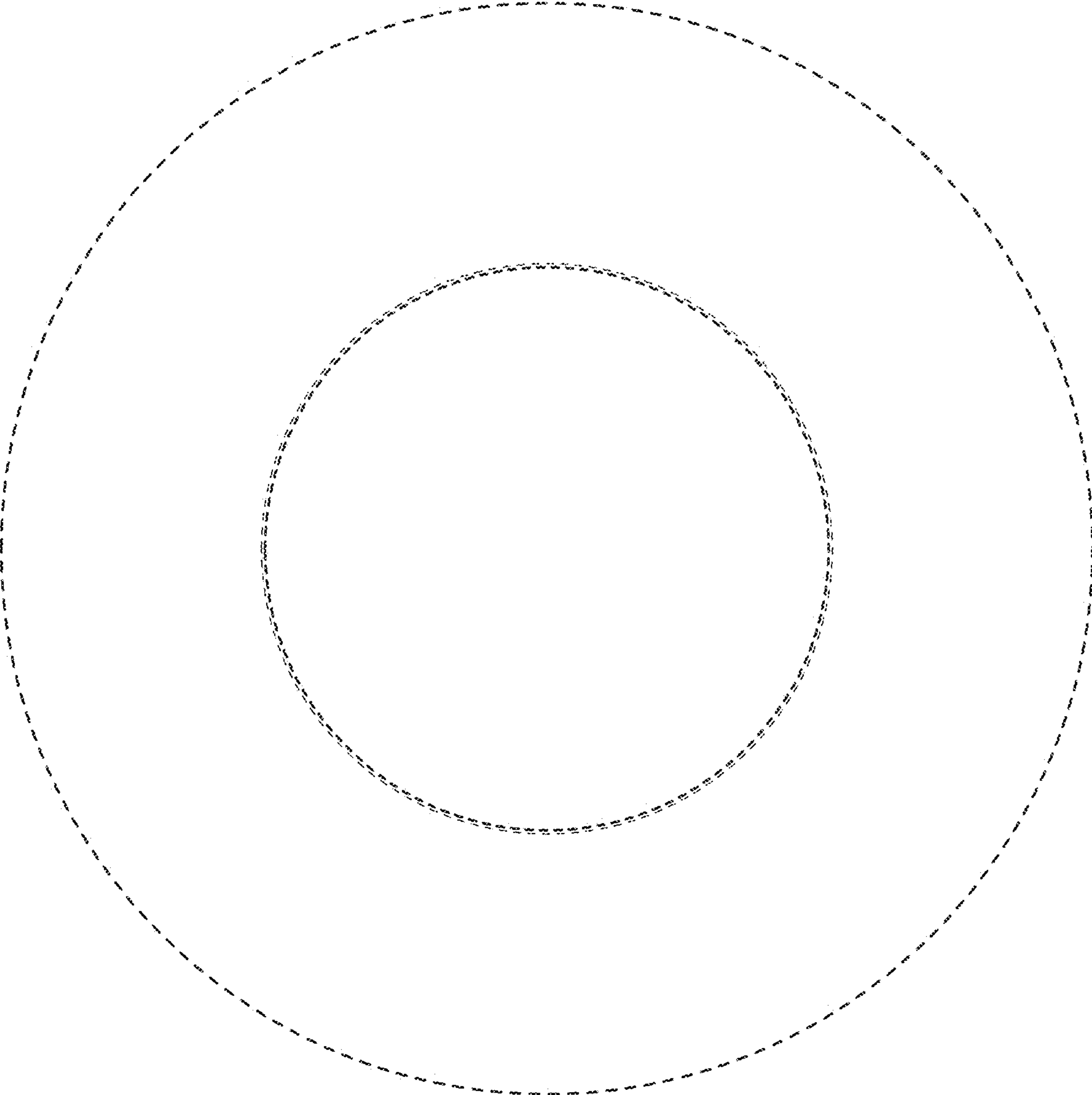


FIG. 5



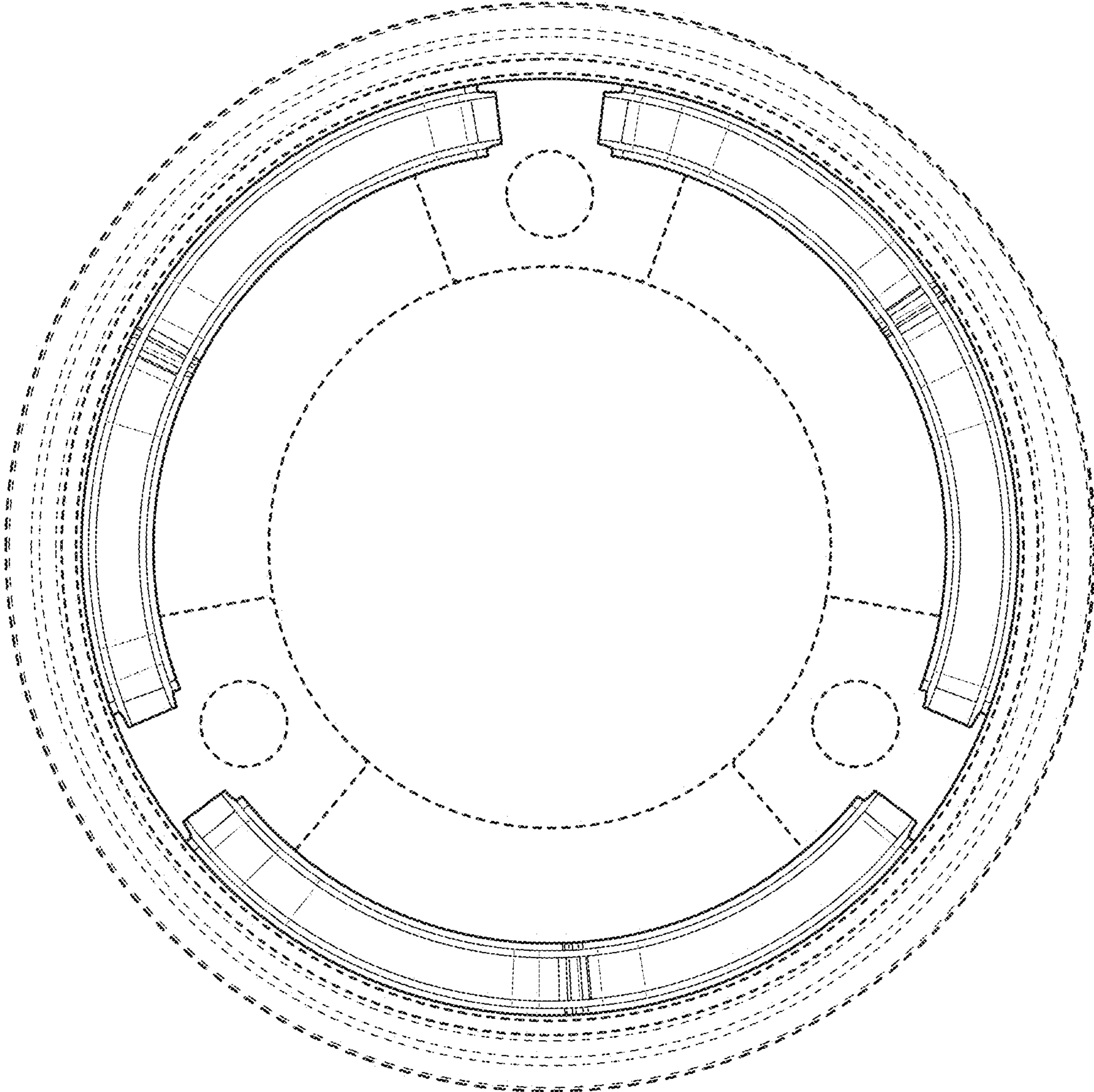


FIG. 6

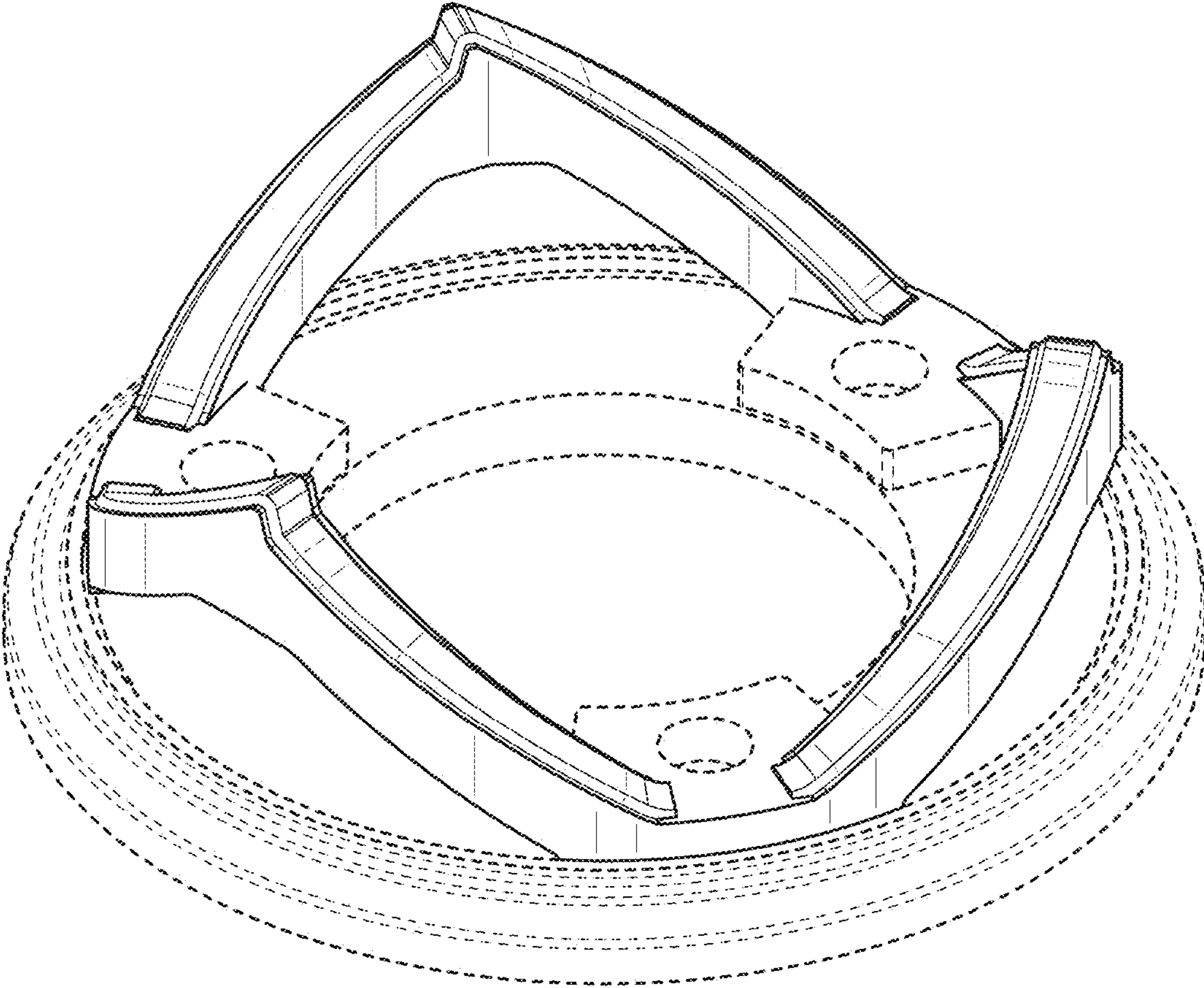


FIG. 7



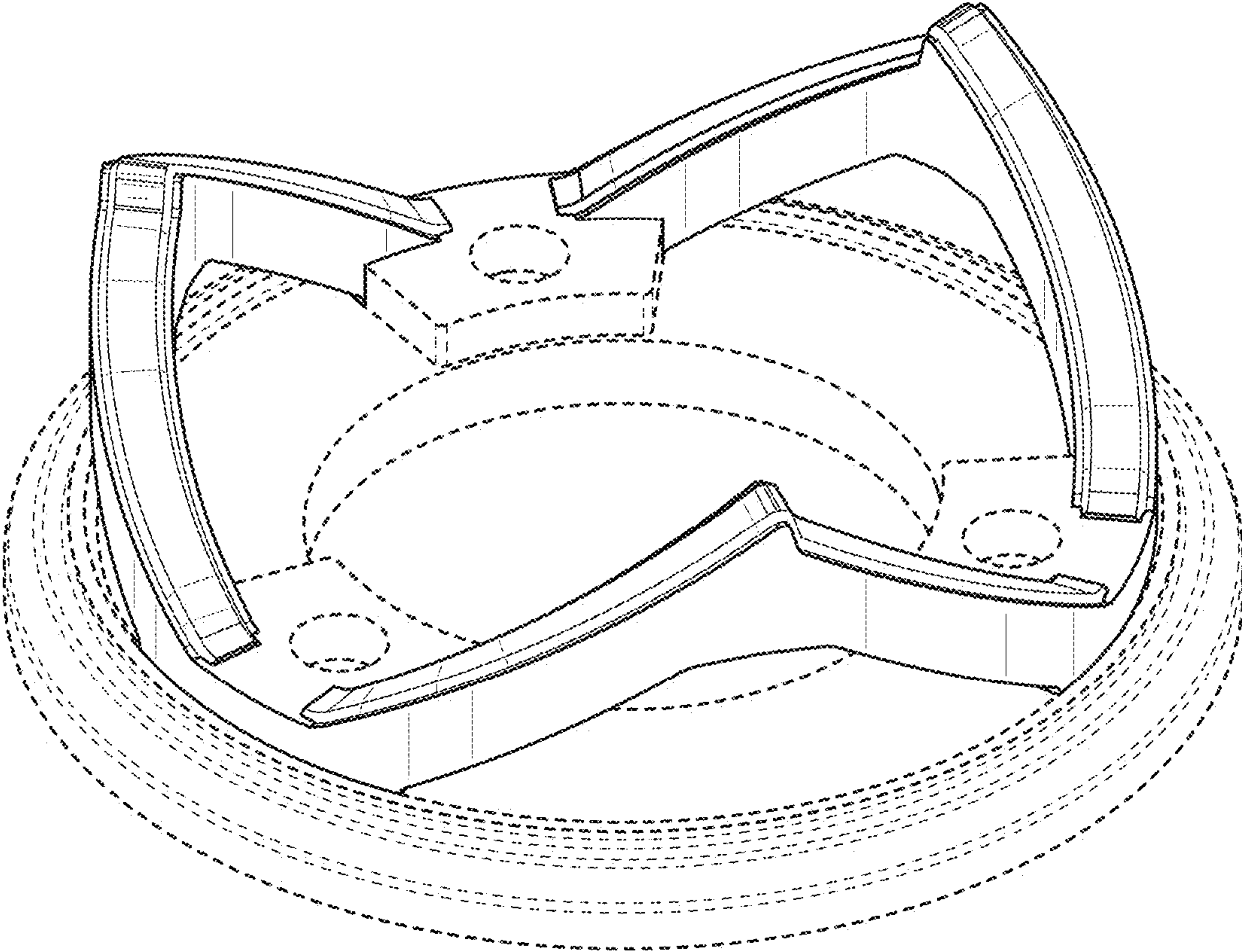


FIG. 8

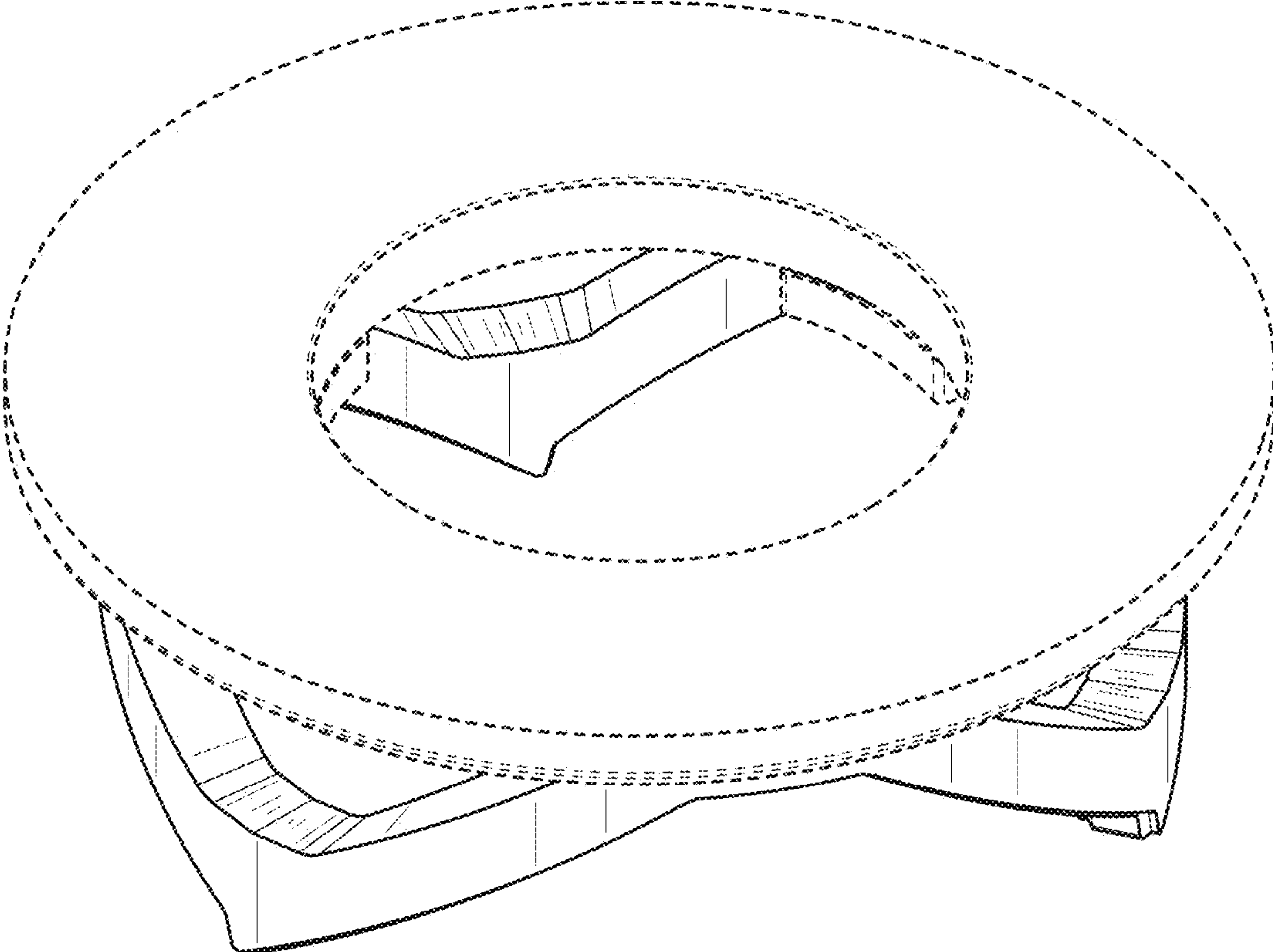


FIG. 9