



US00D979577S

(12) **United States Design Patent**  
**Omata et al.**

(10) **Patent No.:** **US D979,577 S**  
(45) **Date of Patent:** **\*\* Feb. 28, 2023**

(54) **DIGITAL CAMERA DISPLAY SCREEN WITH TRANSITIONAL GRAPHICAL USER INTERFACE**

(71) Applicant: **FUJIFILM Corporation**, Tokyo (JP)

(72) Inventors: **Takeharu Omata**, Saitama (JP); **Nanae Sakuma**, Saitama (JP)

(73) Assignee: **FUJIFILM Corporation**, Tokyo (JP)

(\*\*) Term: **15 Years**

(21) Appl. No.: **29/701,436**

(22) Filed: **Aug. 12, 2019**

(30) **Foreign Application Priority Data**

Feb. 20, 2019 (JP) ..... 2019-003417

(51) **LOC (14) Cl.** ..... **14-04**

(52) **U.S. Cl.**  
USPC ..... **D14/485**; D14/489

(58) **Field of Classification Search**  
USPC ..... D14/485-495  
CPC ..... G06F 3/048-04897; G06T 2200/24; G06T 19/20; G06T 3/00; G06T 2210/22; H04N 5/232933; H04N 21/4223  
See application file for complete search history.

(56) **References Cited**

**U.S. PATENT DOCUMENTS**

D765,135 S \* 8/2016 Steg ..... D14/488  
D769,280 S \* 10/2016 Bae ..... D14/486  
D776,701 S \* 1/2017 Huang ..... D14/486  
D789,948 S \* 6/2017 Sun ..... D14/485

(Continued)

*Primary Examiner* — Ian F Whitmore

(74) *Attorney, Agent, or Firm* — Studebaker & Brackett PC

(57) **CLAIM**

The ornamental design for a digital camera display screen with transitional graphical user interface, as shown and described.

**DESCRIPTION**

FIG. 1 is a perspective view of the digital camera, showing the new design;

FIG. 2 is a front view thereof;

FIG. 3 is a rear view thereof;

FIG. 4 is a top view thereof;

FIG. 5 is a left view thereof;

FIG. 6 is an enlarged view of a display portion, showing a first image of the display screen, shown separately for clarity;

FIG. 7 is an enlarged view of the display portion, showing a second image of the display screen, shown separately for clarity;

FIG. 8 is an enlarged view of the display portion, showing a third image of the display screen, shown separately for clarity;

FIG. 9 is an enlarged view of the display portion, showing a fourth image of the display screen, shown separately for clarity;

FIG. 10 is an enlarged view of the display portion shown separately for clarity, showing the first image of the design in a differing broken-line context; and,

FIG. 11 is an enlarged view of the display portion shown separately for clarity, showing the fourth image of the design in a differing broken-line context.

The short-dashed broken lines illustrate the perimeter of a display screen and form no part of the claimed design. The long-dashed broken lines outside this perimeter show a digital camera as the environment of the claimed design and form no part thereof. The long-dashed broken lines within this perimeter illustrate portions of the graphical user interface which form no part of the claimed design.

The appearance of the transitional image sequentially transitions between the images shown in FIGS. 6-9. The process or period in which one image transitions to another image forms no part of the claimed design.

**1 Claim, 11 Drawing Sheets**



(56)

**References Cited**

U.S. PATENT DOCUMENTS

D802,623 S \* 11/2017 Arnold ..... D14/489  
D831,696 S \* 10/2018 Clarke ..... D14/492  
D865,802 S \* 11/2019 Lee ..... D14/489  
D868,107 S \* 11/2019 Aggarwal ..... D14/491  
D956,090 S \* 6/2022 Lee ..... D14/489  
D959,481 S \* 8/2022 Hsu ..... D14/488  
D960,172 S \* 8/2022 Magness ..... D14/485  
D961,601 S \* 8/2022 Mirsharif ..... D14/485  
D962,991 S \* 9/2022 Burford ..... D14/493  
D965,005 S \* 9/2022 Sung ..... D14/485  
2016/0139671 A1 \* 5/2016 Jun ..... G06F 3/04886  
715/702  
2018/0246983 A1 \* 8/2018 Rathod ..... G06F 16/9566

\* cited by examiner

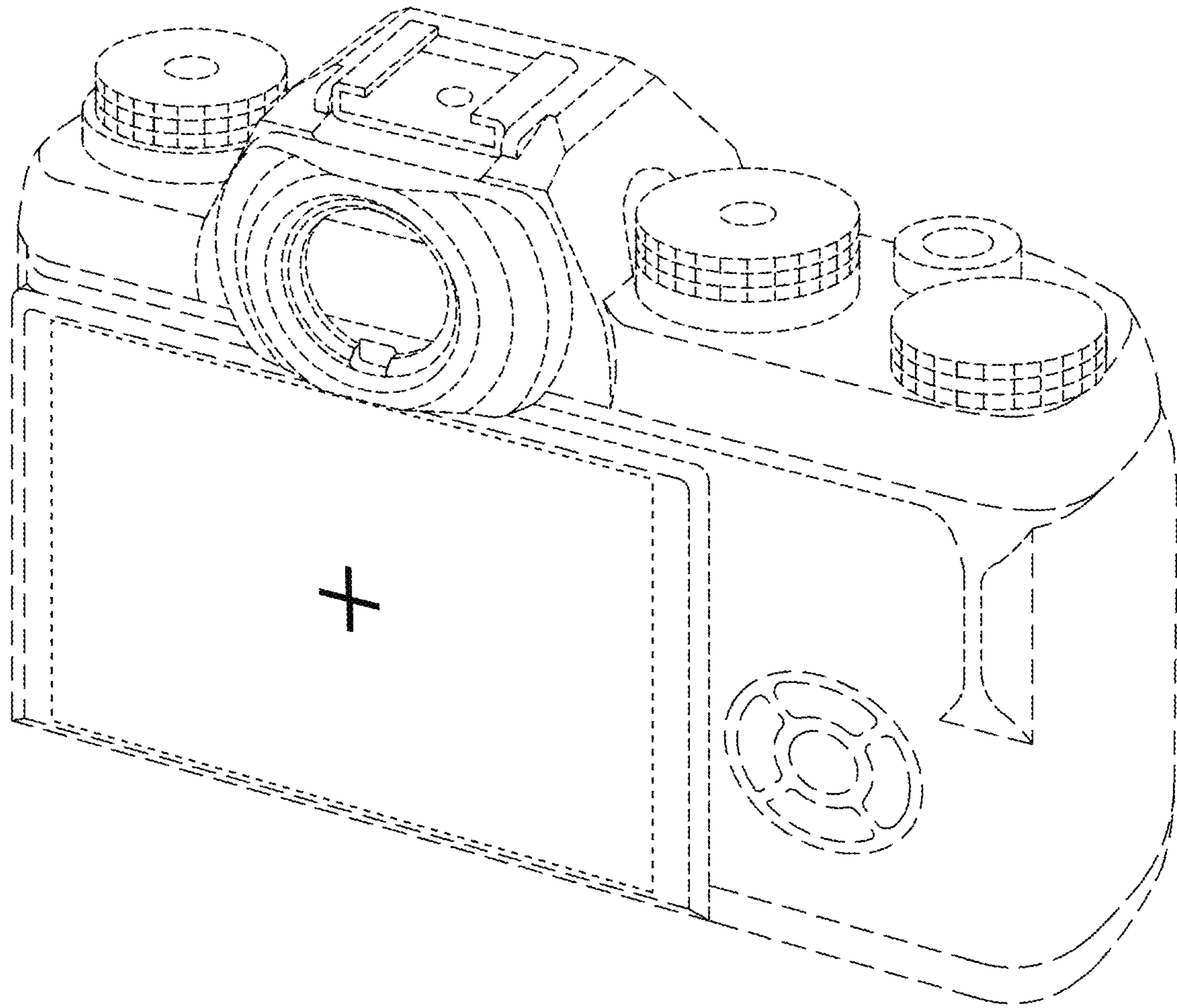


FIG.1

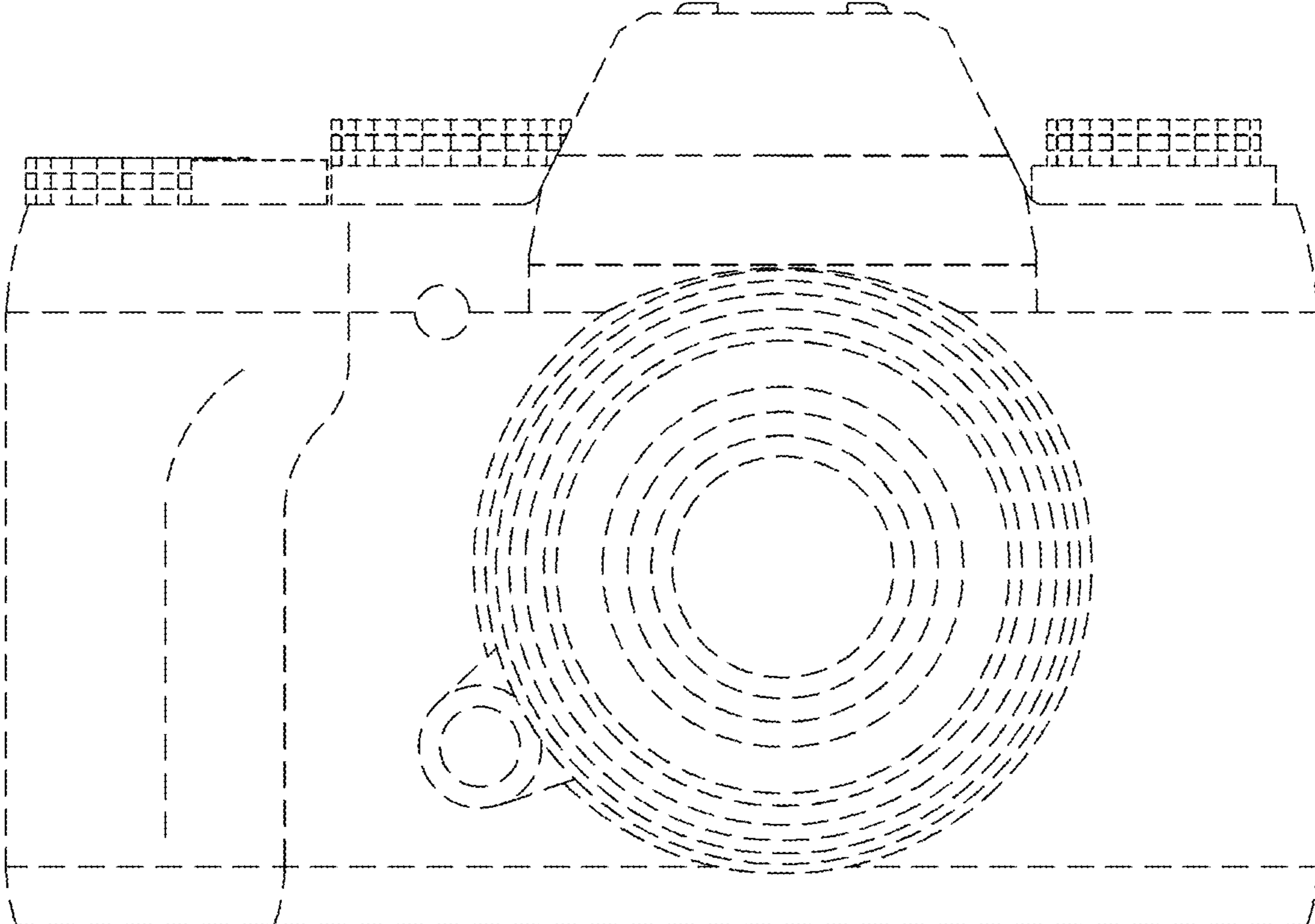


FIG.2

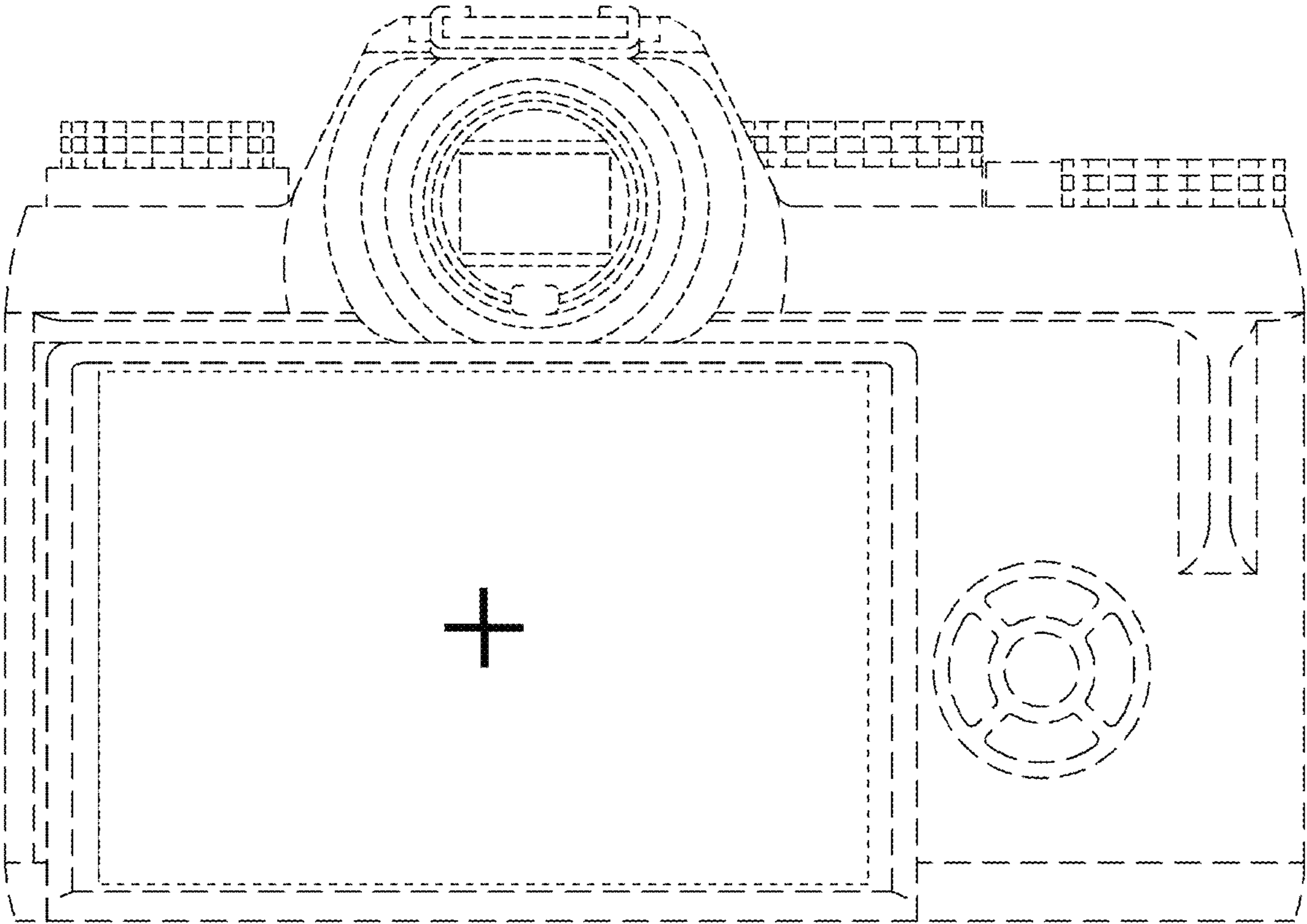


FIG.3

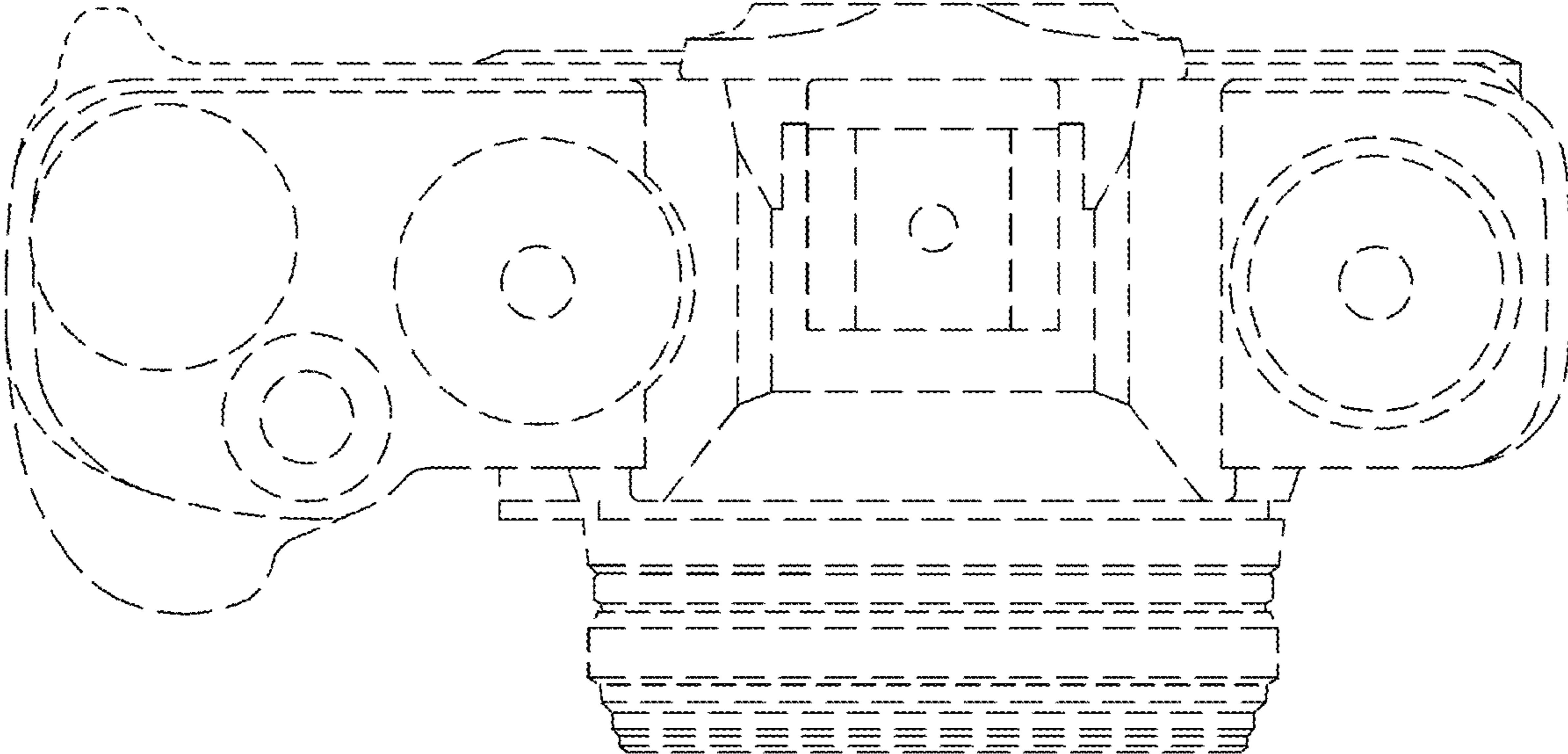


FIG.4

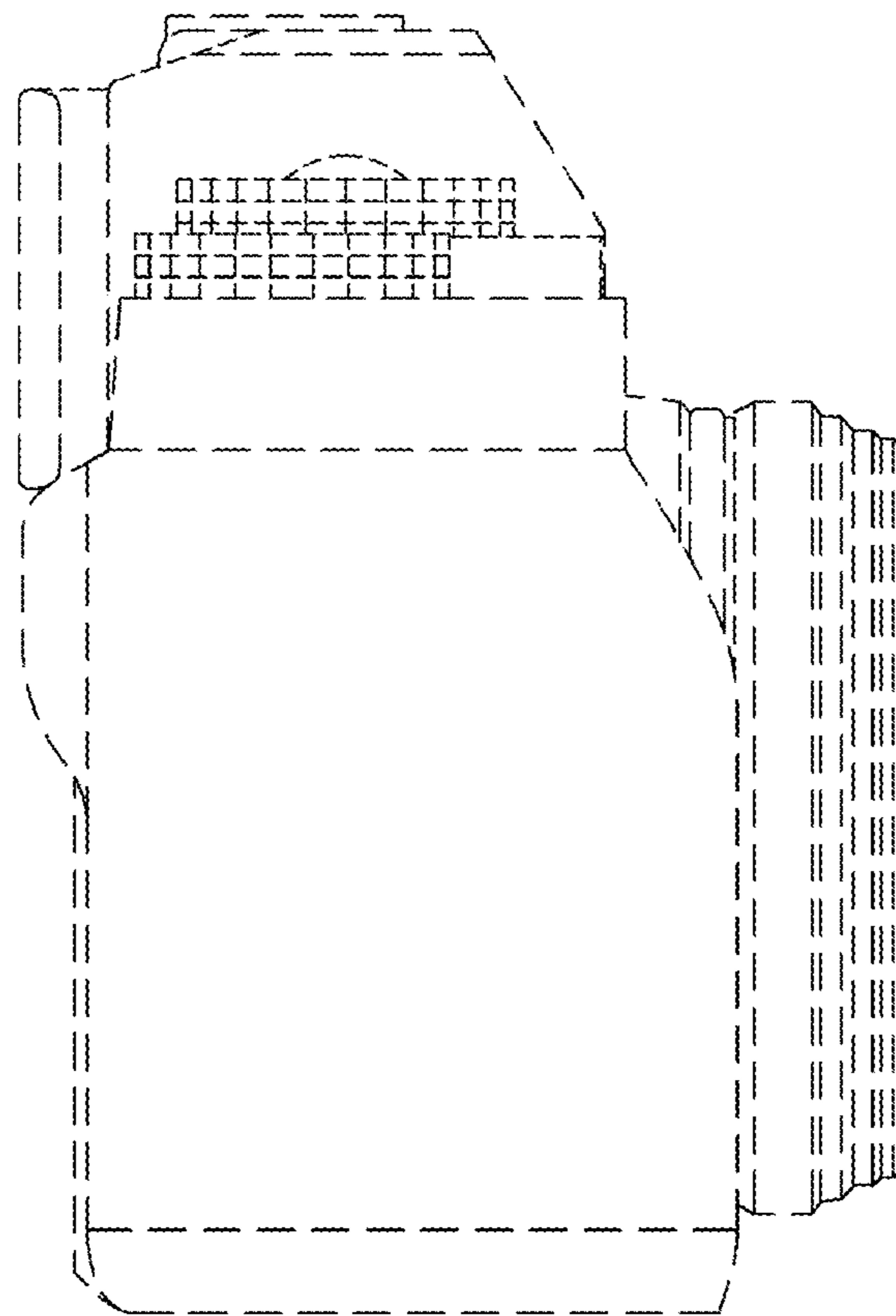


FIG.5

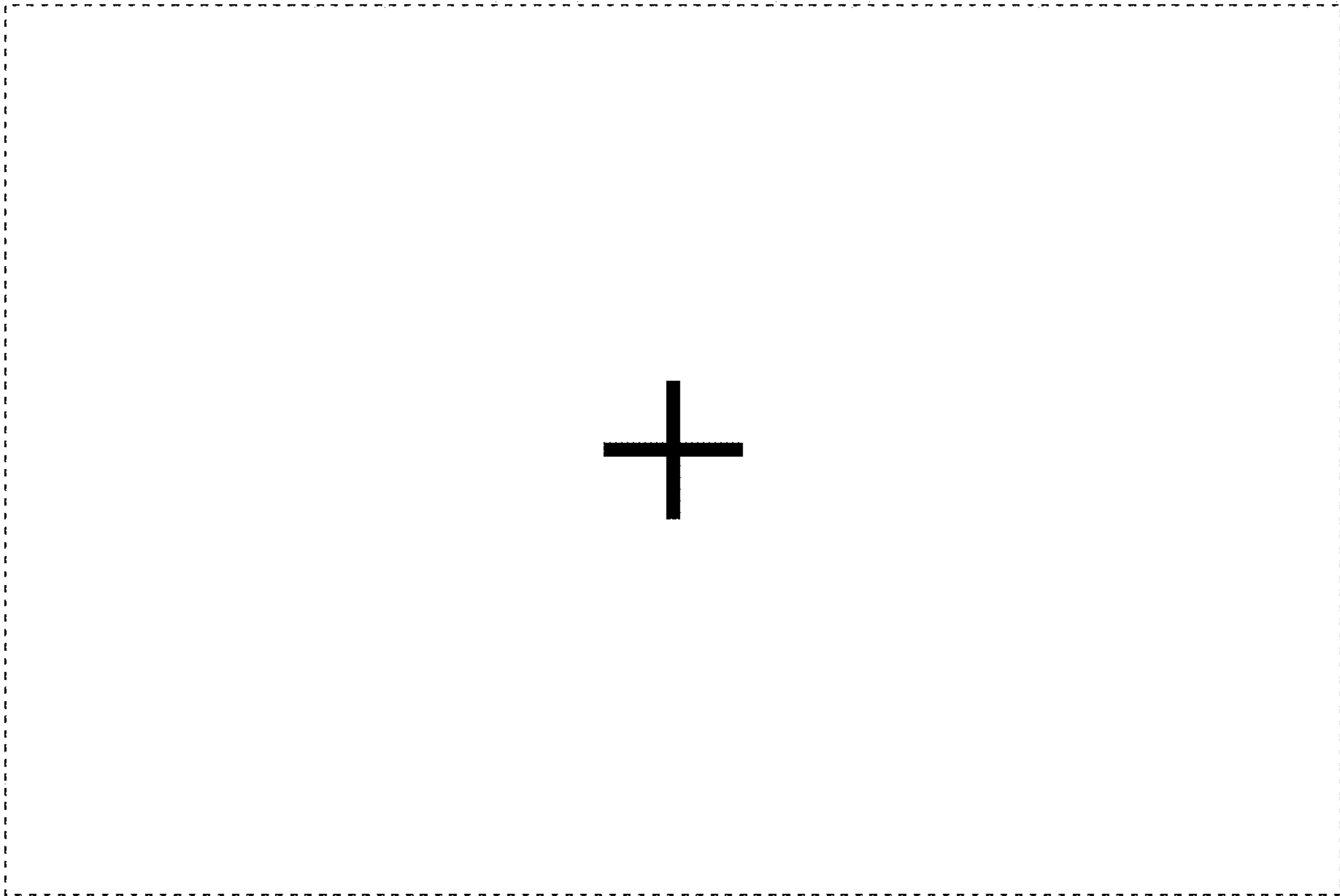


FIG.6



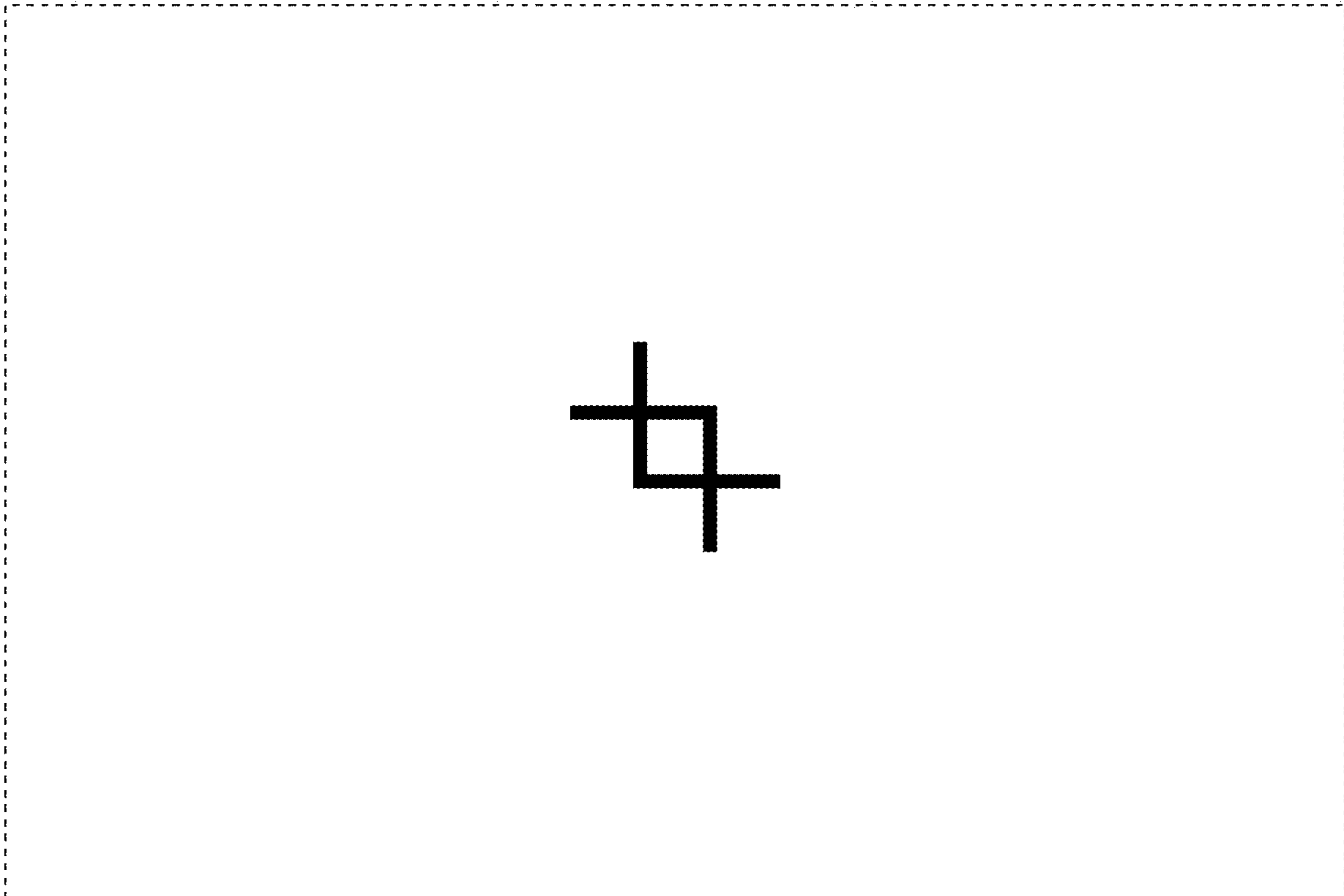


FIG.7

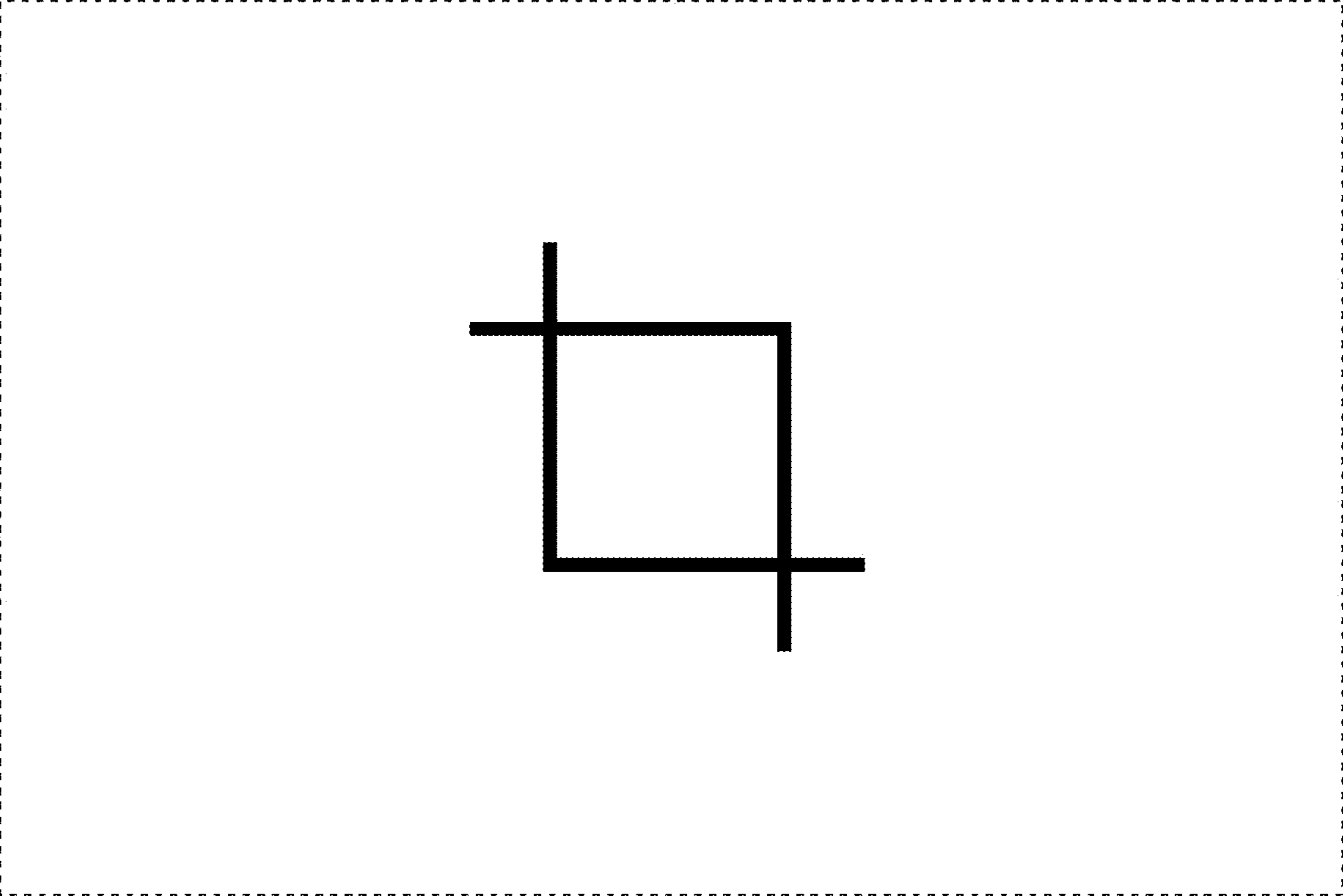


FIG.8

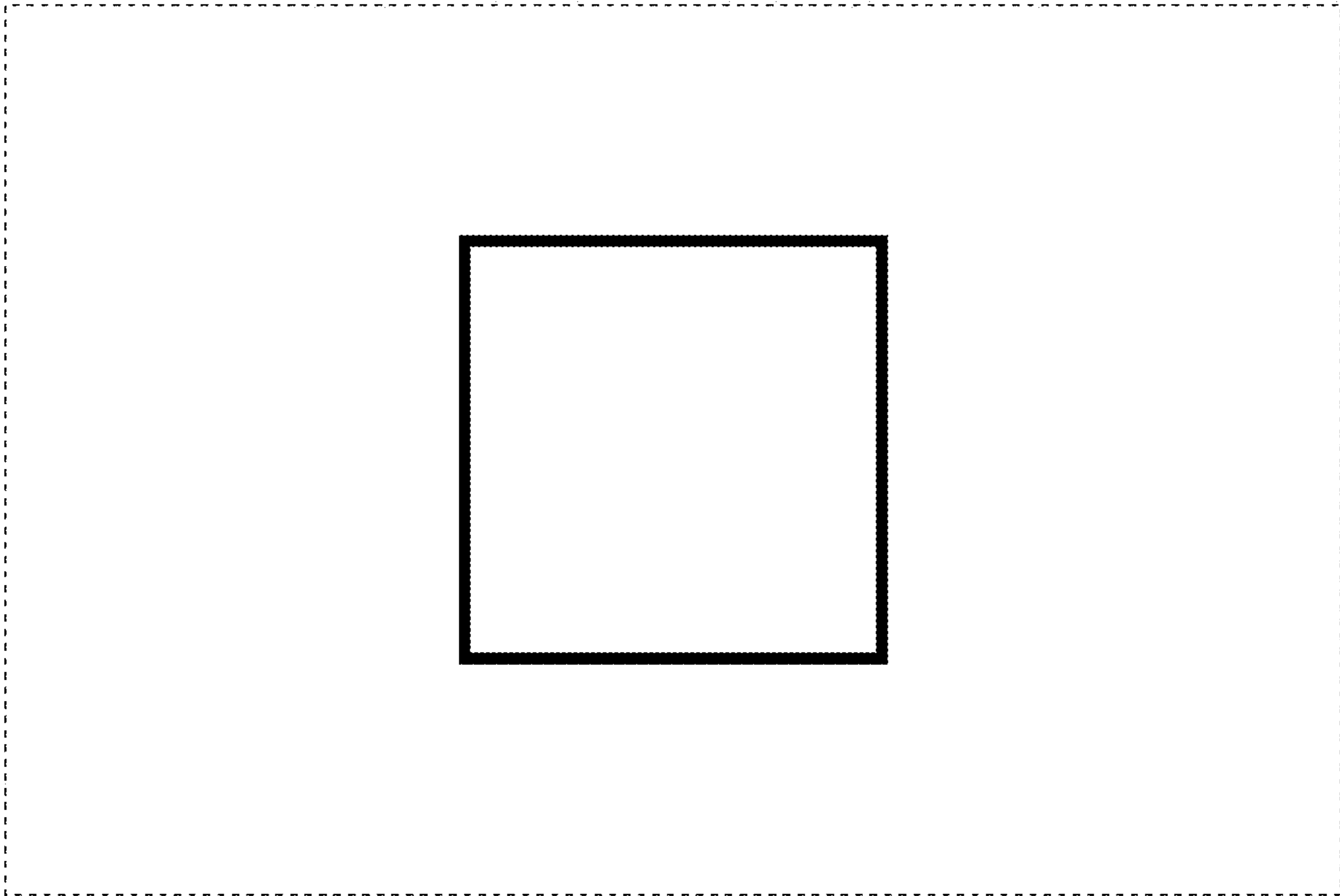


FIG.9

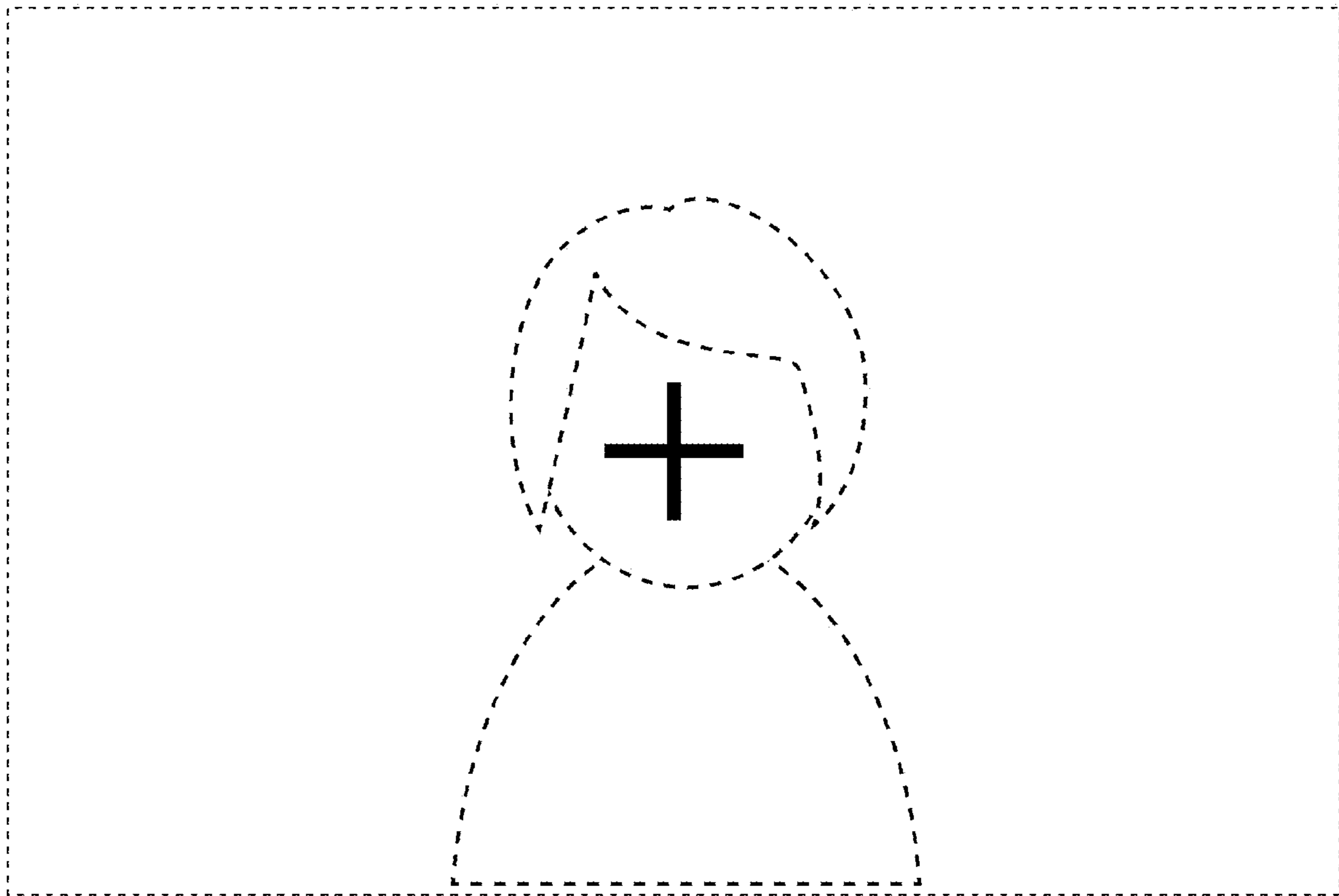


FIG.10

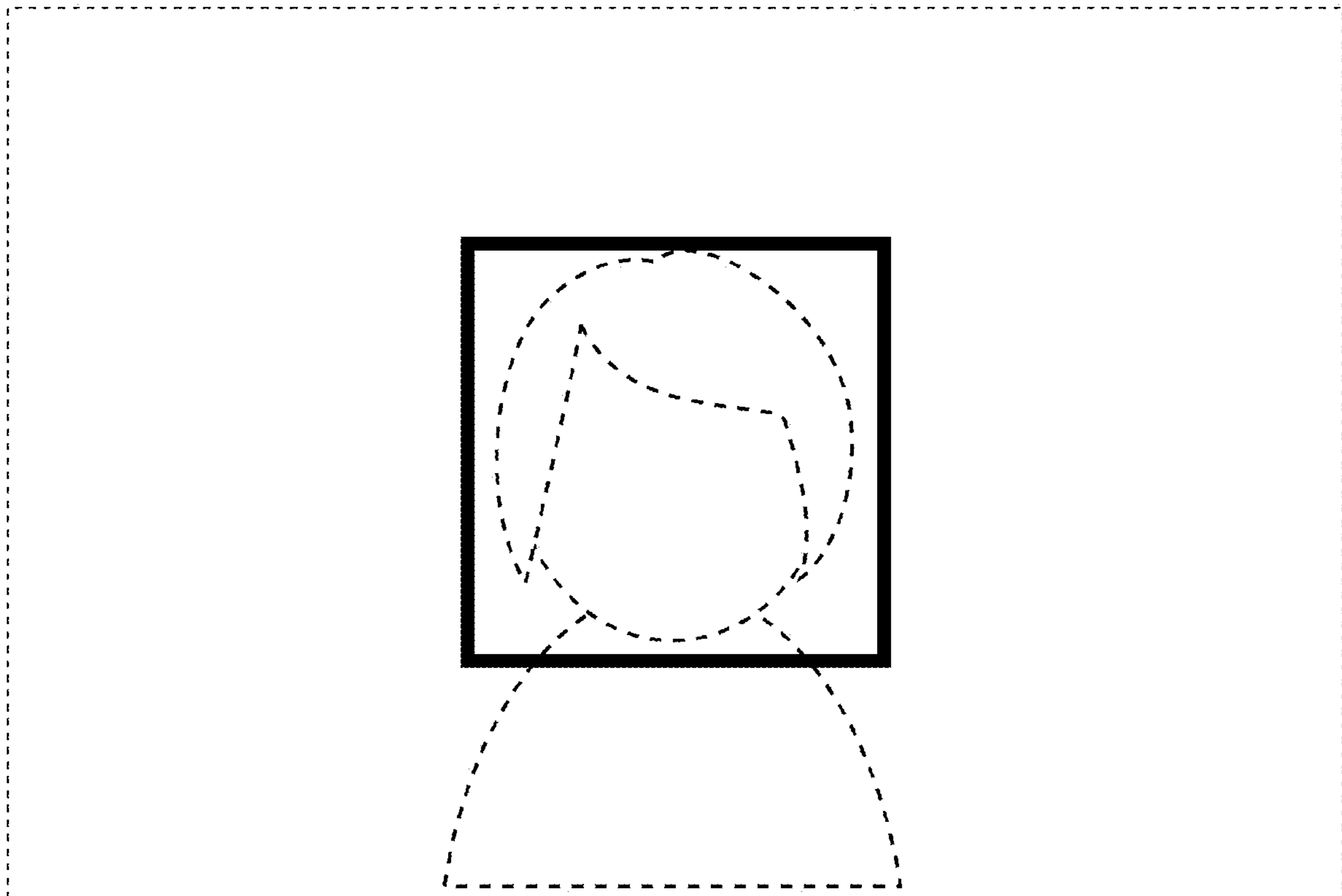


FIG.11