



US00D979575S

(12) **United States Design Patent** (10) **Patent No.:** **US D979,575 S**
Serzedello et al. (45) **Date of Patent:** **** Feb. 28, 2023**

(54) **WIRELESS FOB DUPLICATION DEVICE**

(71) Applicant: **THE HILLMAN GROUP, INC.**,
Cincinnati, OH (US)

(72) Inventors: **Rodrigo Serzedello**, Carlsbad, CA
(US); **Bryan Keith Solace**, Chandler,
AZ (US); **Michael Kenneth Hart**,
Tempe, AZ (US)

(73) Assignee: **THE HILLMAN GROUP, INC.**,
Cincinnati, OH (US)

(**) Term: **15 Years**

(21) Appl. No.: **29/747,887**

(22) Filed: **Aug. 26, 2020**

(51) **LOC (14) Cl.** **14-03**

(52) **U.S. Cl.**
USPC **D14/480.1**

(58) **Field of Classification Search**
USPC D14/480.1–480.7, 435.1, 411, 433, 436,
D14/484.1, 137, 155, 203.1–203.8, 240,
D14/242, 496, 474, 348, 353, 356;
D13/133, 154
CPC H05K 5/0278; G06K 19/07732; G06K
19/0723; G07C 9/00857
See application file for complete search history.

(56) **References Cited**

U.S. PATENT DOCUMENTS

D327,264 S * 6/1992 Goatman D14/137
D491,563 S * 6/2004 Sato D14/242

D540,346 S * 4/2007 Jaakkola D14/496
D571,376 S * 6/2008 Kaneko D14/496
D622,695 S * 8/2010 Ao D14/203.7
D645,050 S * 9/2011 Faranda D14/480.5
D655,267 S * 3/2012 Daniel D14/137
D675,217 S * 1/2013 Lee D14/480.6
D785,002 S * 4/2017 Alhasnani D14/480.1
D873,273 S * 1/2020 Guacho D14/480.5
D889,456 S * 7/2020 Yao D14/129
2018/0075434 A1 * 3/2018 Supernault H04W 12/065
2022/0067471 A1 * 3/2022 Serzedello G06K 19/0723

* cited by examiner

Primary Examiner — Angela J Lee

(74) *Attorney, Agent, or Firm* — Finnegan, Henderson,
Farabow, Garrett & Dunner LLP

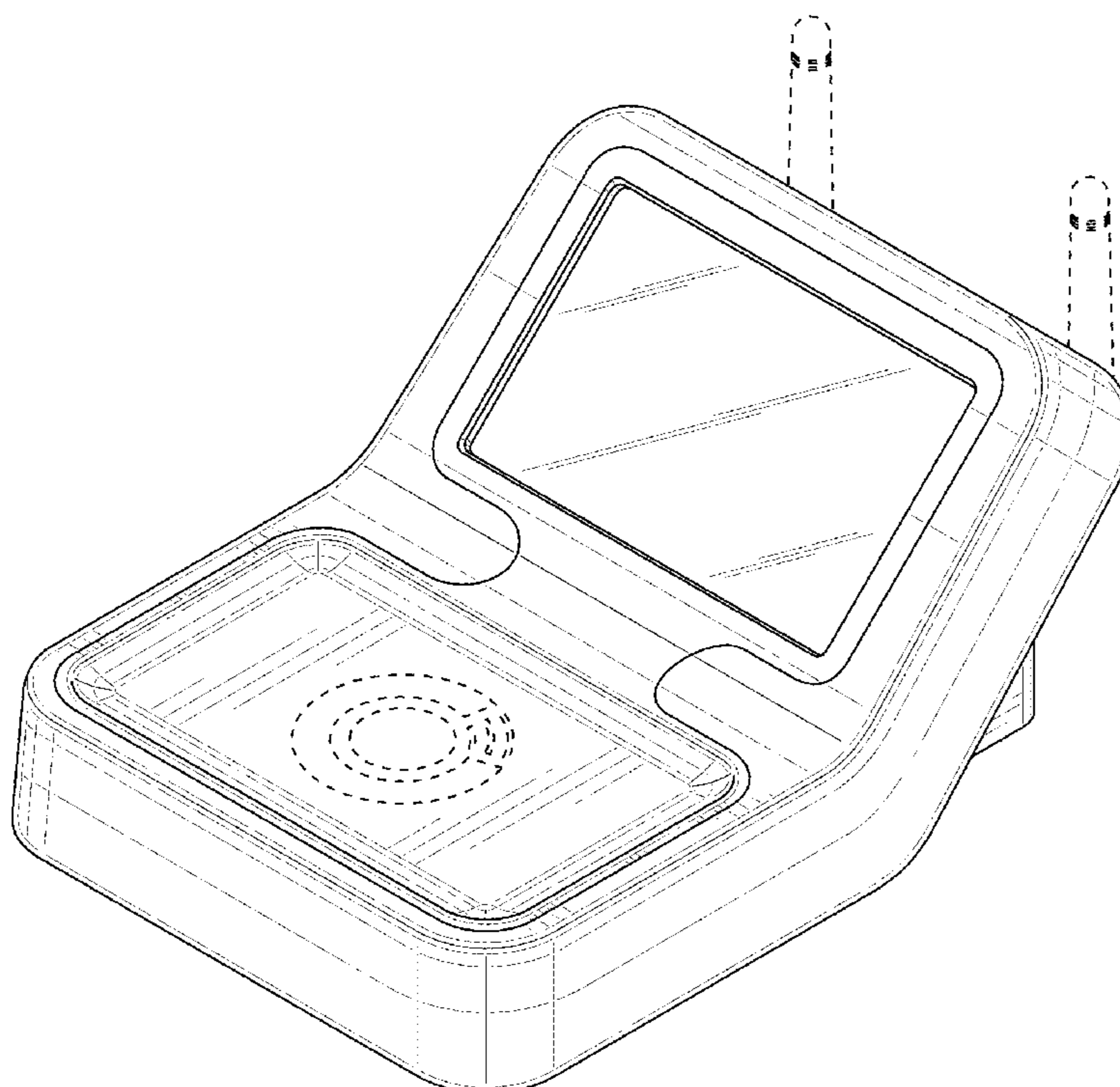
(57) **CLAIM**

The ornamental design for a wireless fob duplication device,
as shown and described.

DESCRIPTION

FIG. 1 is a front, top, right perspective view of a wireless fob duplication device showing the new design;
FIG. 2 is a left, bottom, rear perspective view thereof;
FIG. 3 is front elevation view thereof;
FIG. 4 is a rear elevation view thereof;
FIG. 5 is a left-side elevation view thereof;
FIG. 6 is a right-side elevation view thereof;
FIG. 7 is a top plan view thereof; and,
FIG. 8 is a bottom plan view thereof.
The broken lines of even length shown in the drawings illustrate portions of the wireless fob duplication device that form no part of the claimed design.

1 Claim, 8 Drawing Sheets



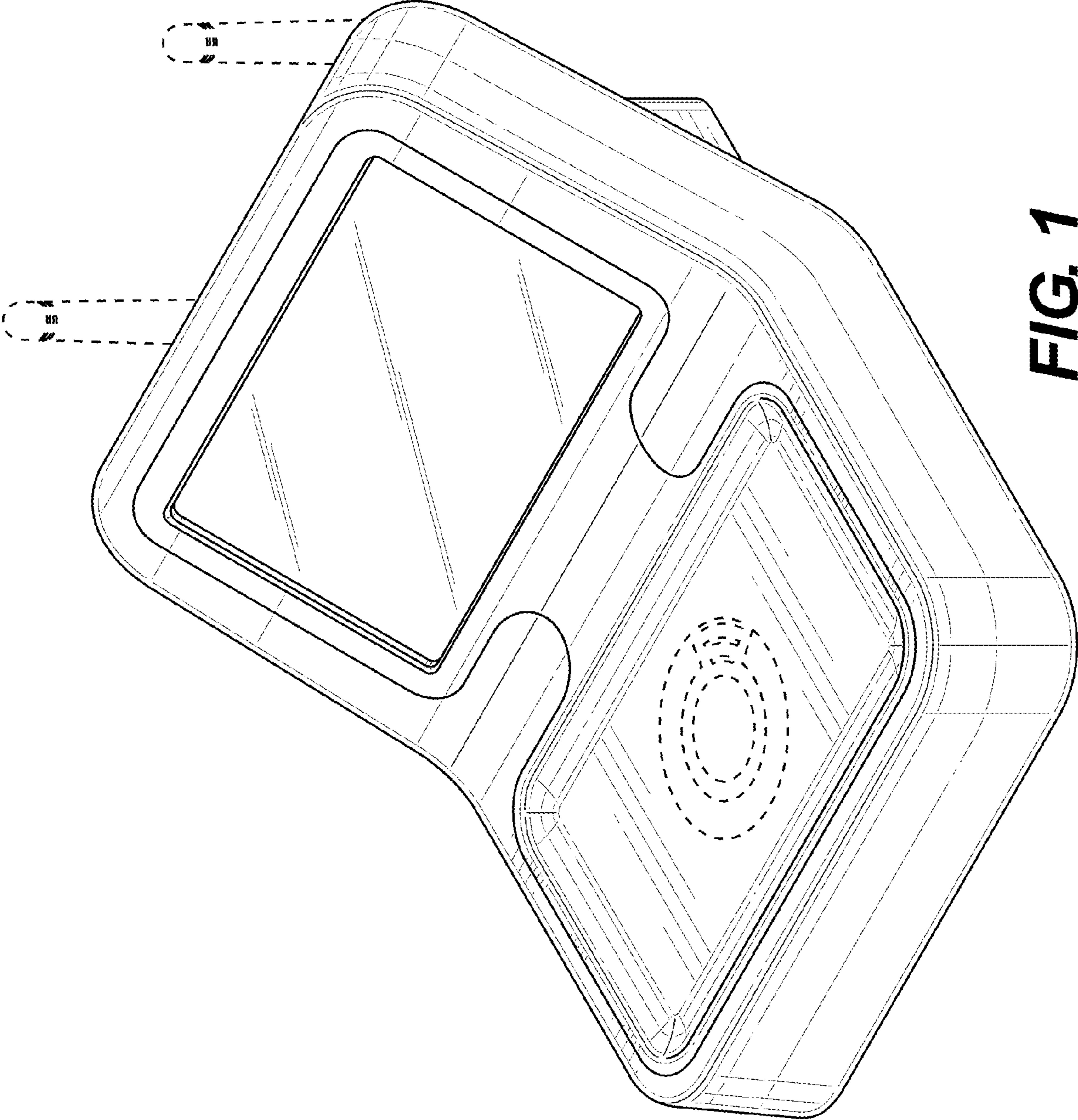


FIG. 1

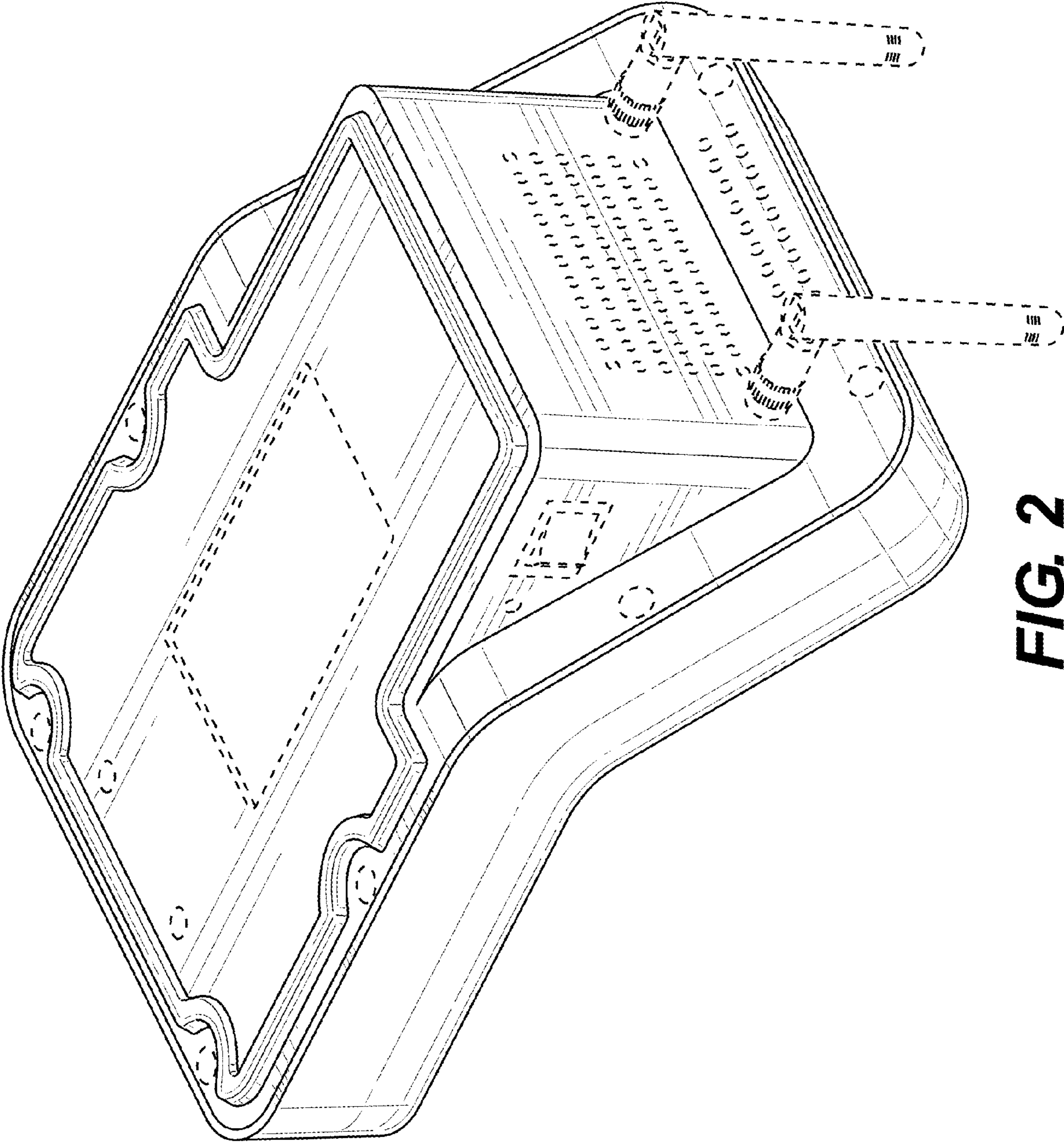


FIG. 2

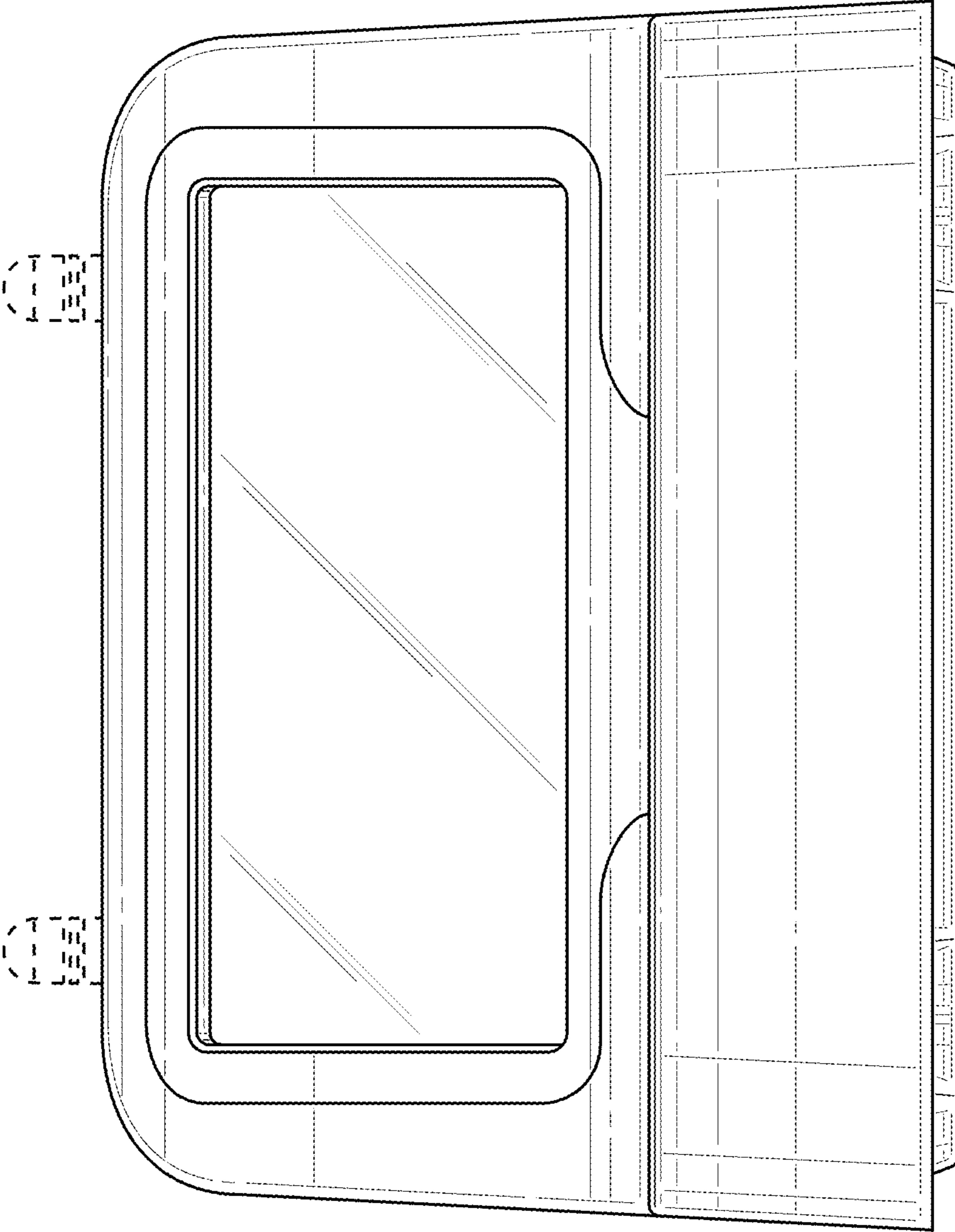


FIG. 3

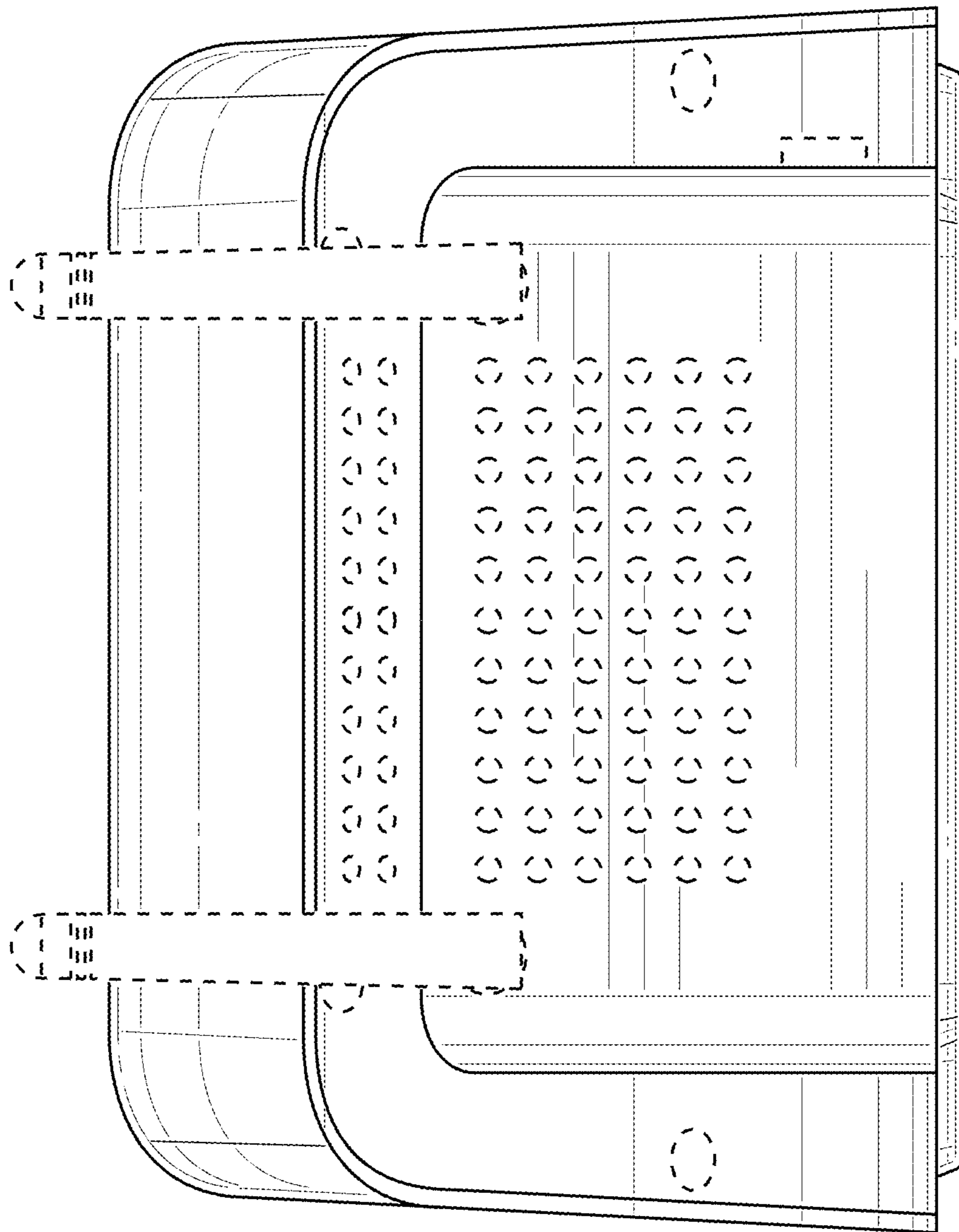


FIG. 4

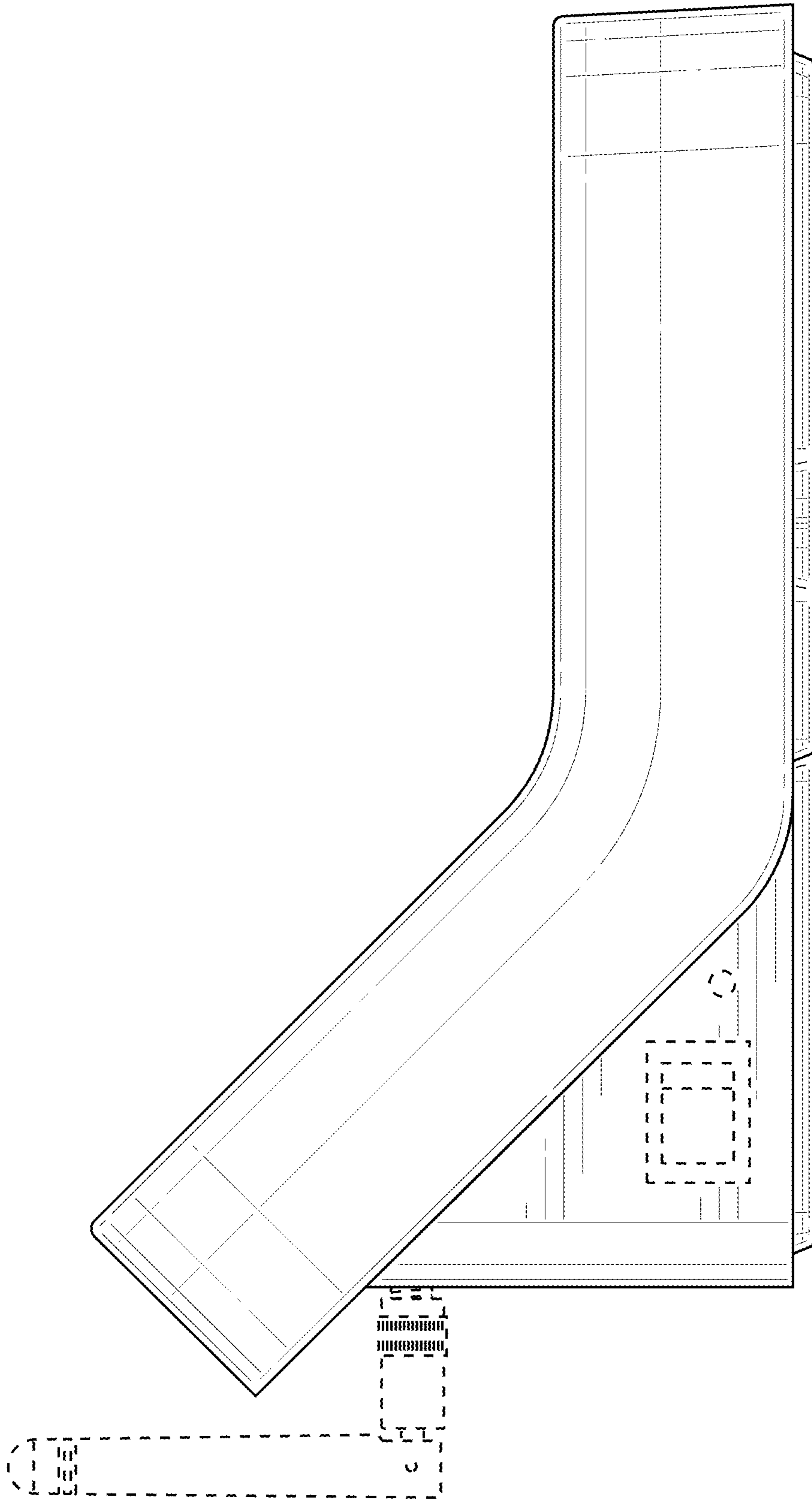


FIG. 5

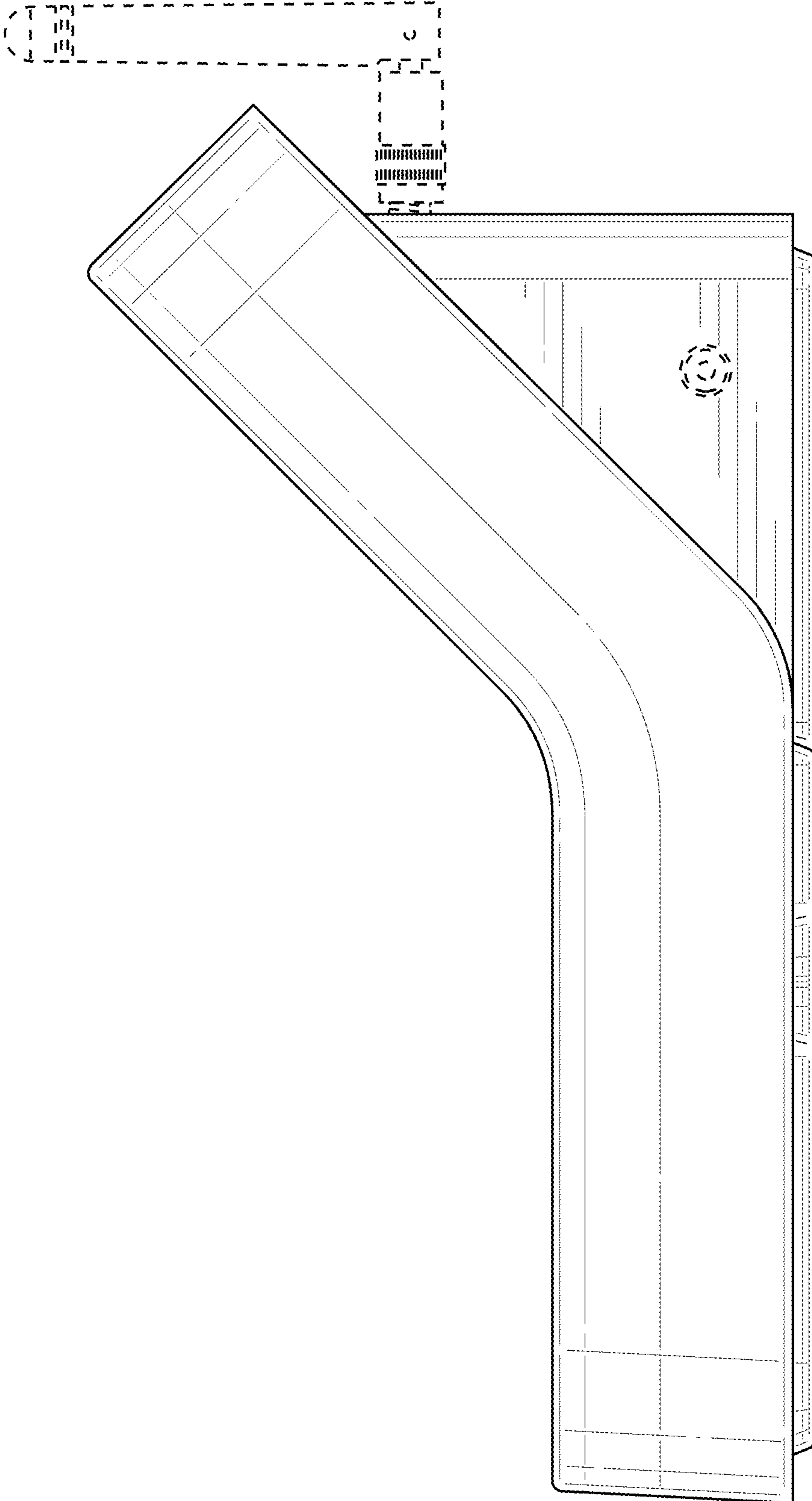


FIG. 6

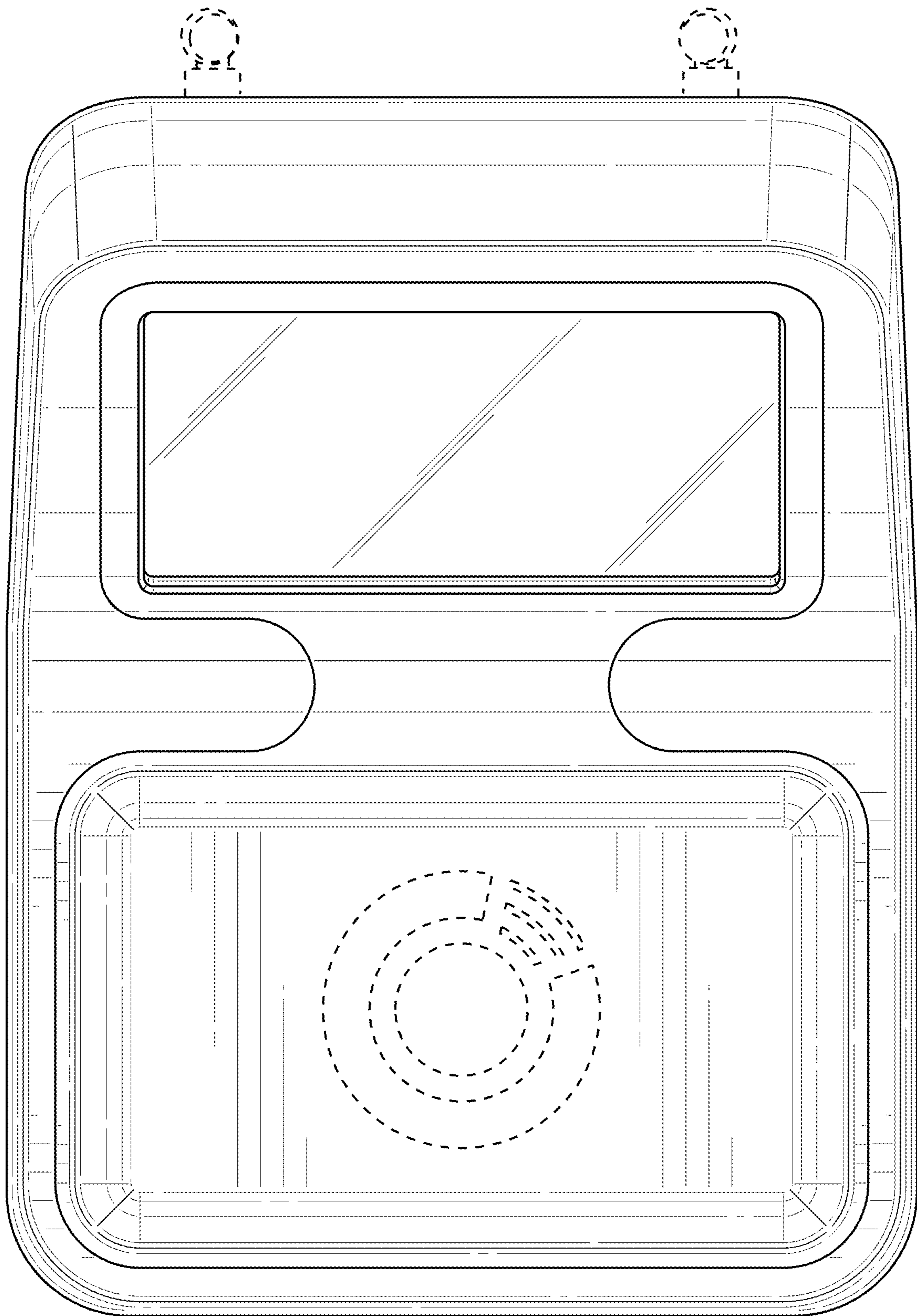


FIG. 7

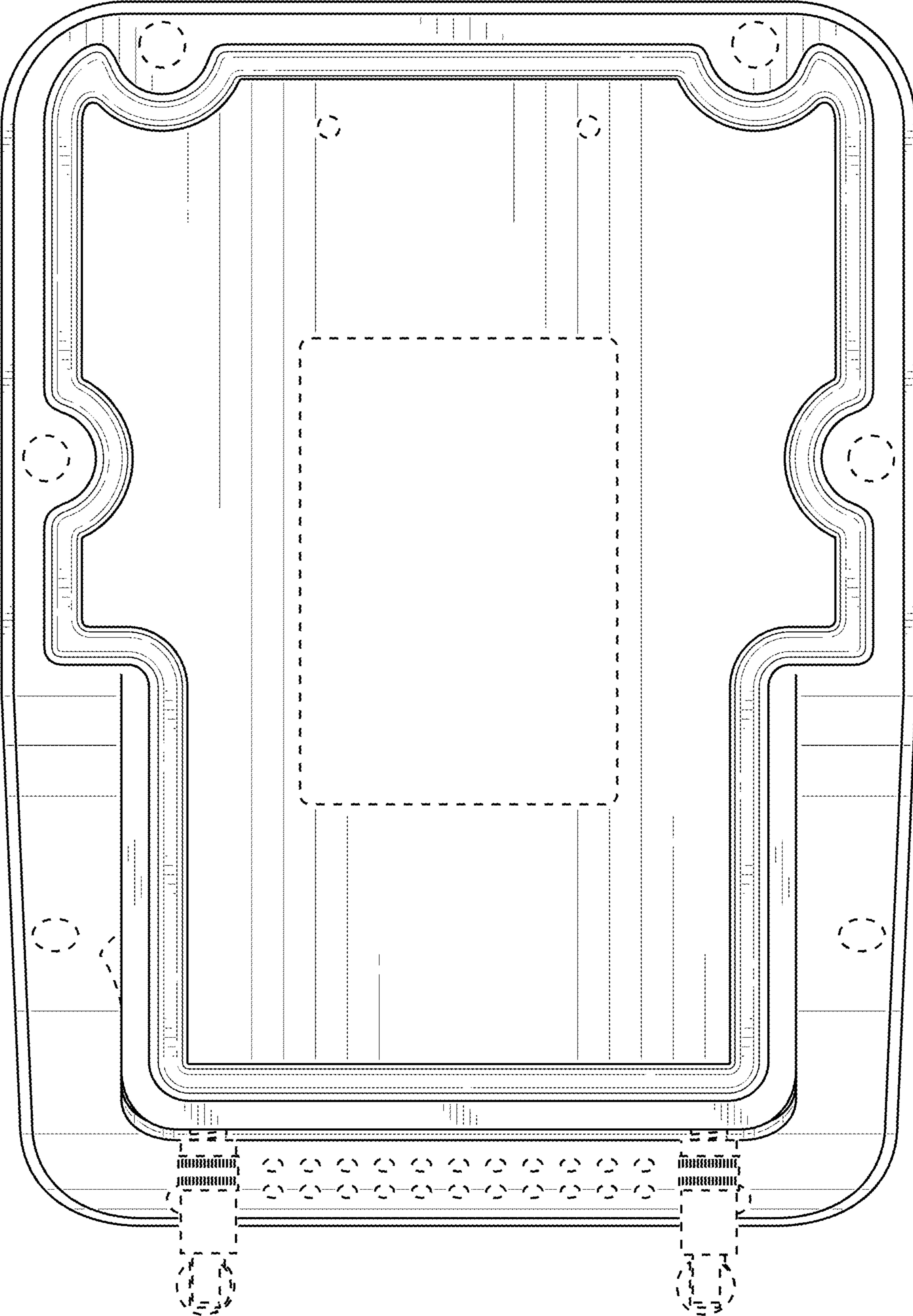


FIG. 8