



US00D979572S

(12) **United States Design Patent** (10) **Patent No.:** **US D979,572 S**
Yum et al. (45) **Date of Patent:** **** Feb. 28, 2023**

(54) **CASE FOR PORTABLE ELECTRONIC DEVICE**

FOREIGN PATENT DOCUMENTS

(71) Applicant: **SAMSUNG ELECTRONICS CO., LTD.**, Gyeonggi-do (KR)

EM 001348213-0001 10/2012
EM 002607648-0002 12/2014

(Continued)

(72) Inventors: **Sungjin Yum**, Gyeonggi-do (KR);
Minah Koh, Gyeonggi-do (KR);
Hakdo Kim, Gyeonggi-do (KR)

Primary Examiner — Marie D. Fast Horse

Assistant Examiner — Josiah D. Parsons

(74) *Attorney, Agent, or Firm* — Cantor Colburn LLP

(73) Assignee: **SAMSUNG ELECTRONICS CO., LTD.**, Gyeonggi-Do (KR)

(57) **CLAIM**

The ornamental design for a case for portable electronic device, as shown and described.

(**) Term: **15 Years**

DESCRIPTION

(21) Appl. No.: **29/745,035**

(22) Filed: **Aug. 3, 2020**

(30) **Foreign Application Priority Data**

Feb. 13, 2020 (KR) 30-2020-0006368

(51) **LOC (14) Cl.** **14-02**

(52) **U.S. Cl.**
USPC **D14/440**

(58) **Field of Classification Search**
USPC D14/315, 318, 324, 328, 341, 344, 345,
D14/389, 392, 440, 444, 445, 446, 250;
D19/26, 62; D3/247, 290, 299, 206
CPC A45C 2011/002; A45C 2011/003; A45C
2200/15; A45F 2200/0516; A45F
2200/525; G06F 1/1628; G06F 1/1632;
G06F 1/1669;

(Continued)

(56) **References Cited**

U.S. PATENT DOCUMENTS

8,766,921 B2 * 7/2014 Ballagas G09G 5/00
345/168

9,241,053 B2 * 1/2016 Ashley G06F 1/1626

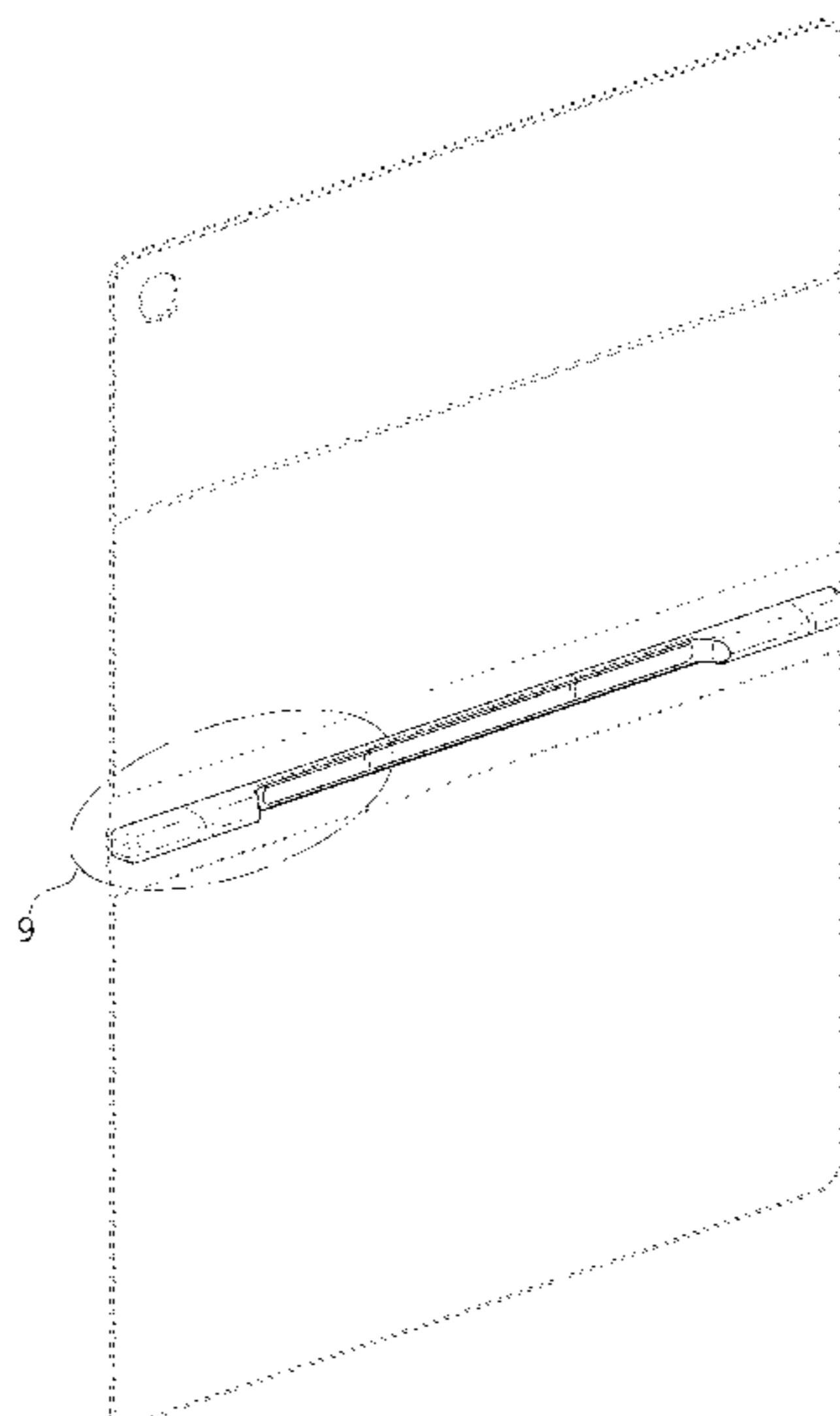
9,634,711 B2 * 4/2017 Sirichai A45C 11/00

(Continued)

FIG. 1 is a front perspective view of a case for portable electronic device, showing our new design;
FIG. 2 is a front view thereof;
FIG. 3 is a rear view thereof;
FIG. 4 is a left side view thereof;
FIG. 5 is a right side view thereof;
FIG. 6 is a top plan view thereof;
FIG. 7 is a bottom plan view thereof;
FIG. 8 is a rear perspective view thereof;
FIG. 9 is an enlarged view of the portion 9 in FIG. 1;
FIG. 10 is an enlarged view of the portion 10 in FIG. 2;
FIG. 11 is an enlarged view of the portion 11 in FIG. 4;
FIG. 12 is a perspective view thereof, shown with environment; and,
FIG. 13 is a side view thereof as shown in an environment of use.

The dot-dot-dash broken lines encircling portions of the figures depict reference to the enlargements shown in the figures and form no part of the claimed design. The even-dashed broken lines in FIG. 12 showing the stylus and the even-dashed broken lines in FIG. 13 showing the electronic device depict environmental subject matter only and form no part of the claim, while all other even-dashed broken lines depict portions of the case for portable electronic device that form no part of the claimed design.

1 Claim, 11 Drawing Sheets



(58) **Field of Classification Search**
 CPC G06F 2200/1633; H04B 1/3888; H04M
 1/185
 See application file for complete search history.

(56) **References Cited**

U.S. PATENT DOCUMENTS

D801,333 S *	10/2017	Hong	D14/345
D850,457 S *	6/2019	Jin	G06F 1/1626
				D14/440
D910,644 S *	2/2021	Li	D14/440
D916,077 S *	4/2021	Wang	D14/315
D922,390 S *	6/2021	Cheng	D14/440
D955,378 S *	6/2022	Lee	D14/318
11,387,513 B2 *	7/2022	Seo	G06F 1/1628
2013/0088431 A1 *	4/2013	Ballagas	G09G 5/00
				345/168

2015/0160700 A1 *	6/2015	Yang	G06F 1/1669
				361/679.17
2015/0296068 A1 *	10/2015	Chin	G06F 1/1626
				455/575.8
2016/0062414 A1 *	3/2016	Nishioka	G06F 1/1669
				361/679.09
2016/0196936 A1 *	7/2016	Ding	G06F 1/1632
				361/679.09
2017/0250719 A1 *	8/2017	Stryker	H04B 1/3888
2020/0301480 A1 *	9/2020	Miller	E05D 11/00

FOREIGN PATENT DOCUMENTS

JP	D1637491	7/2019
KR	30-0690115 S	6/2012
KR	30-0720743 S	12/2013
KR	30-0720798 S	12/2013
KR	30-0759346 S	8/2014

* cited by examiner

FIG. 1

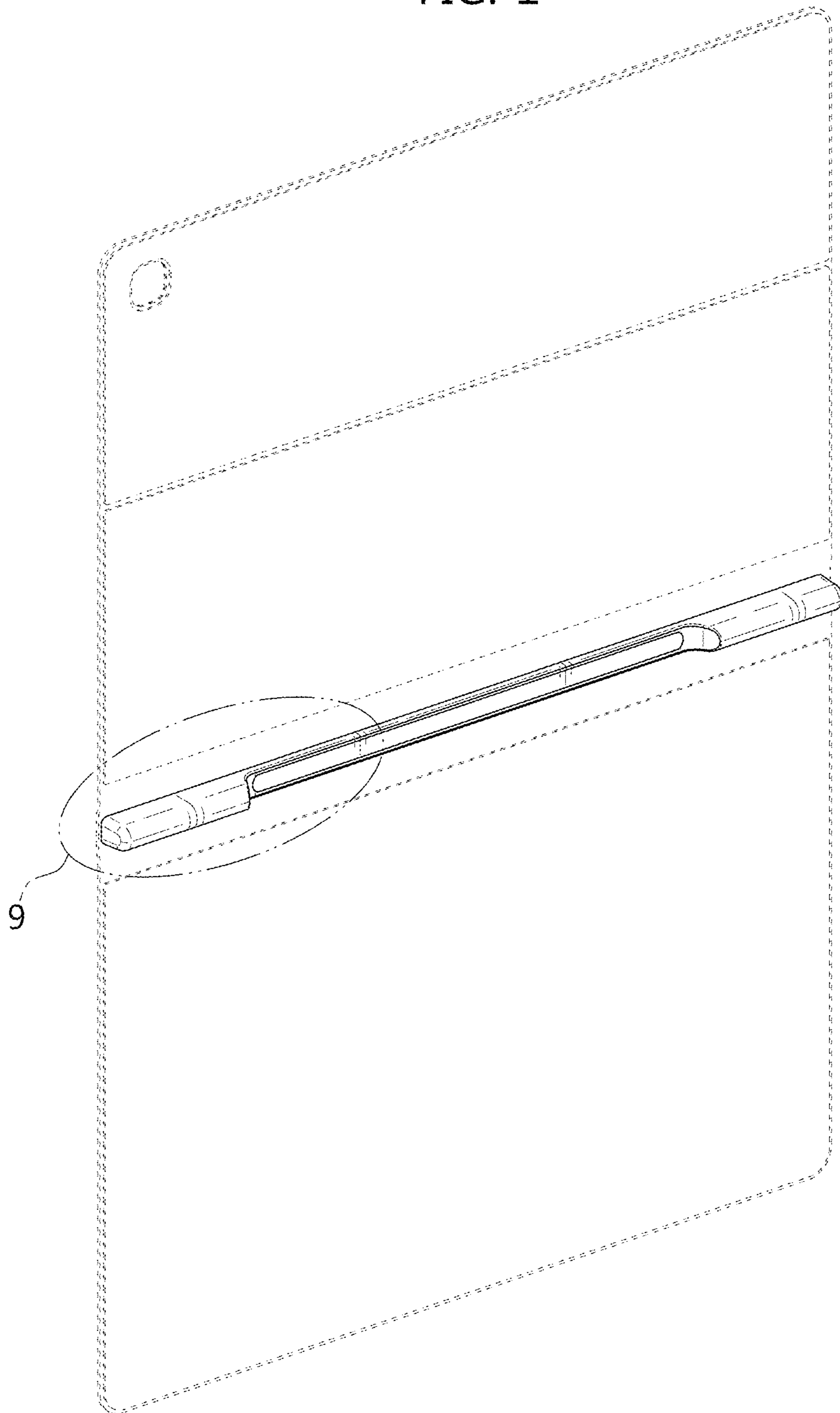


FIG. 2

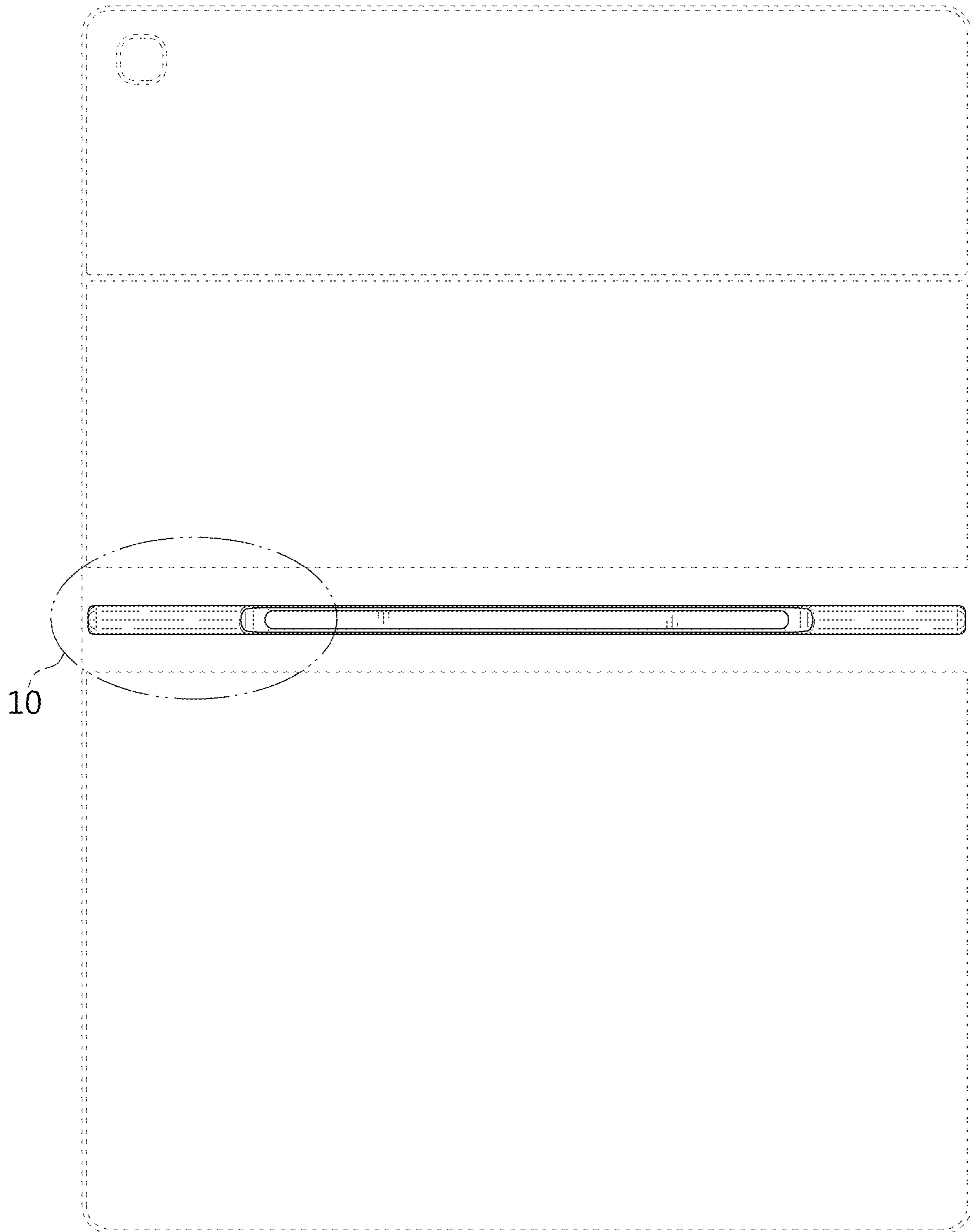


FIG. 3

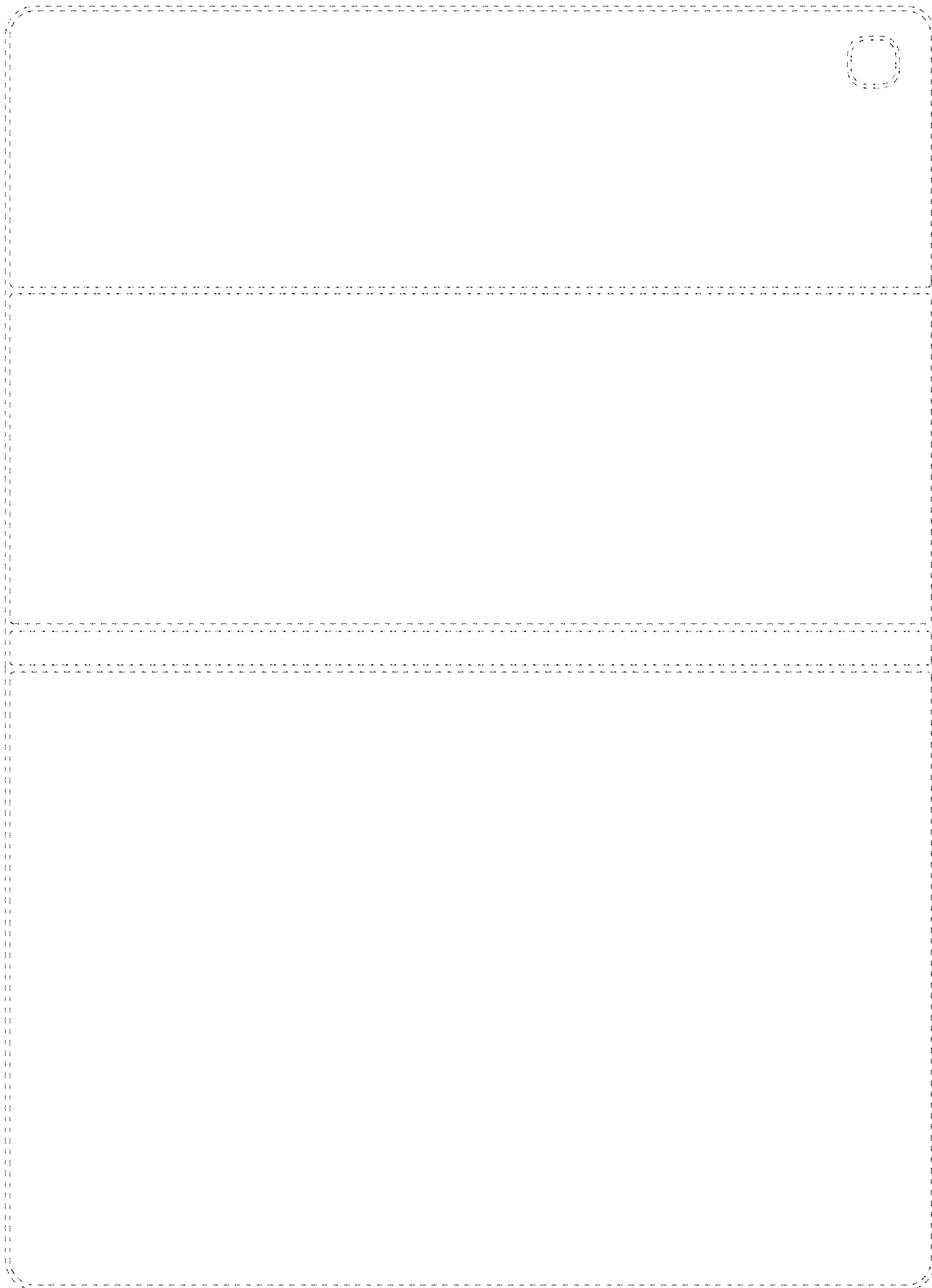


FIG. 4

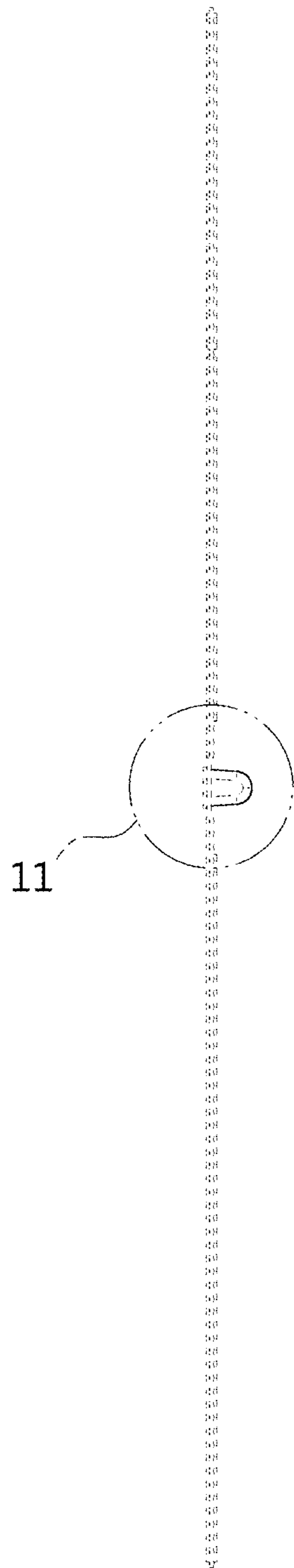


FIG. 5

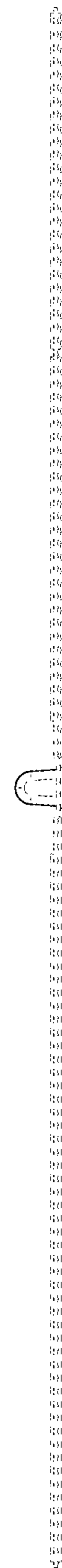


FIG. 6

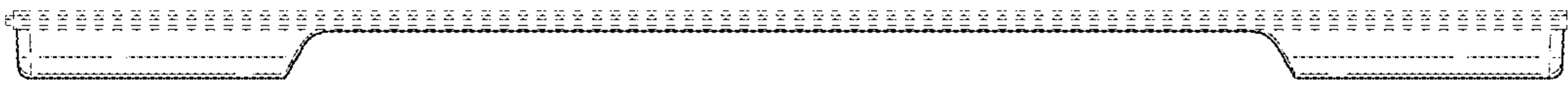


FIG. 7

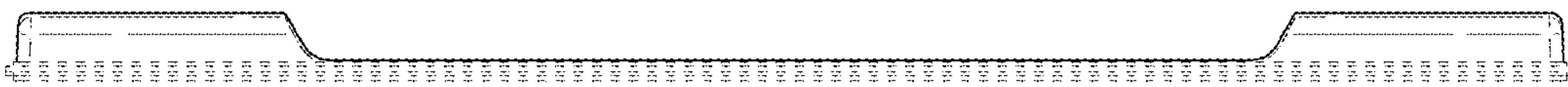


FIG. 8

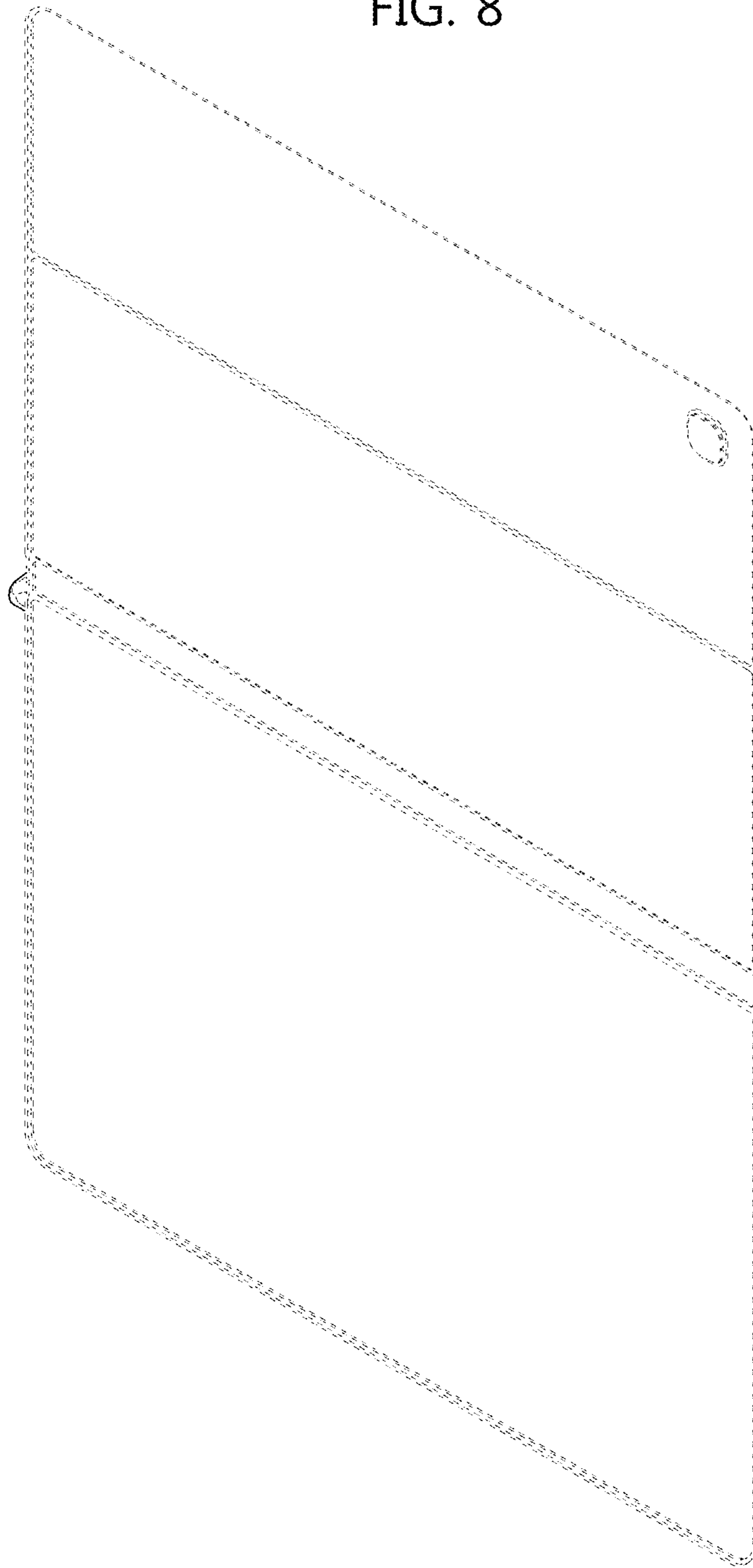


FIG. 9

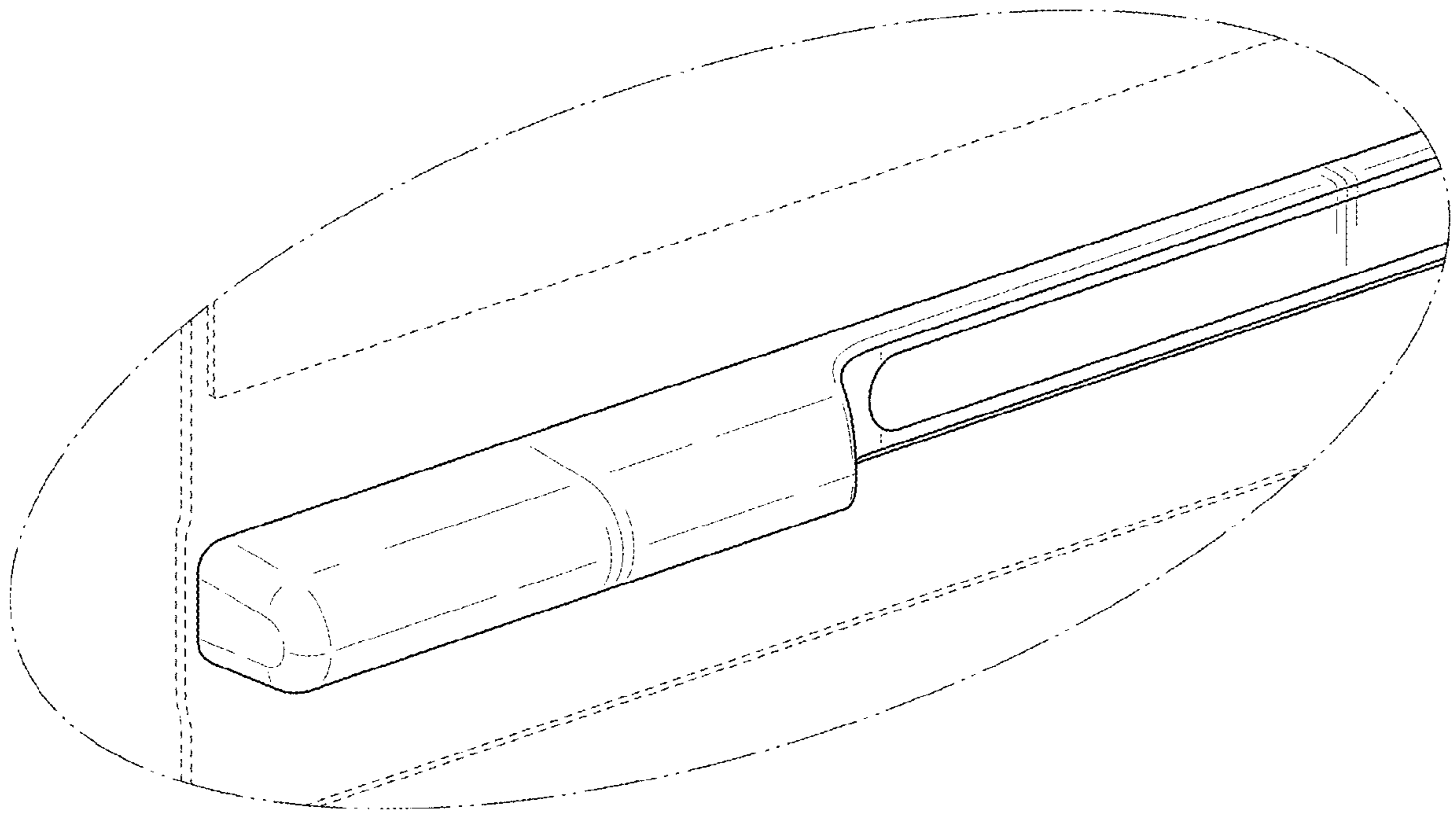


FIG. 10

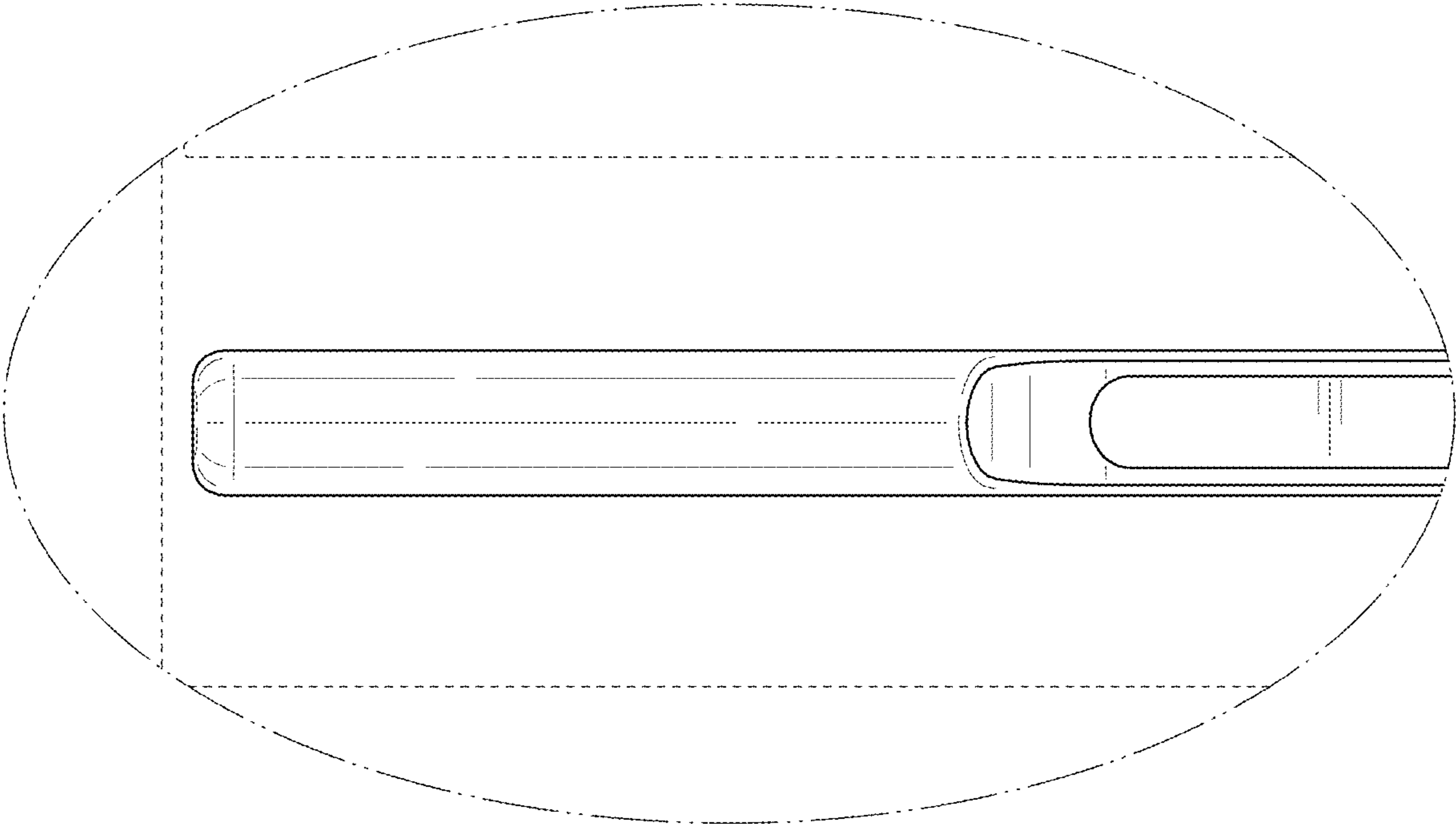


FIG. 11

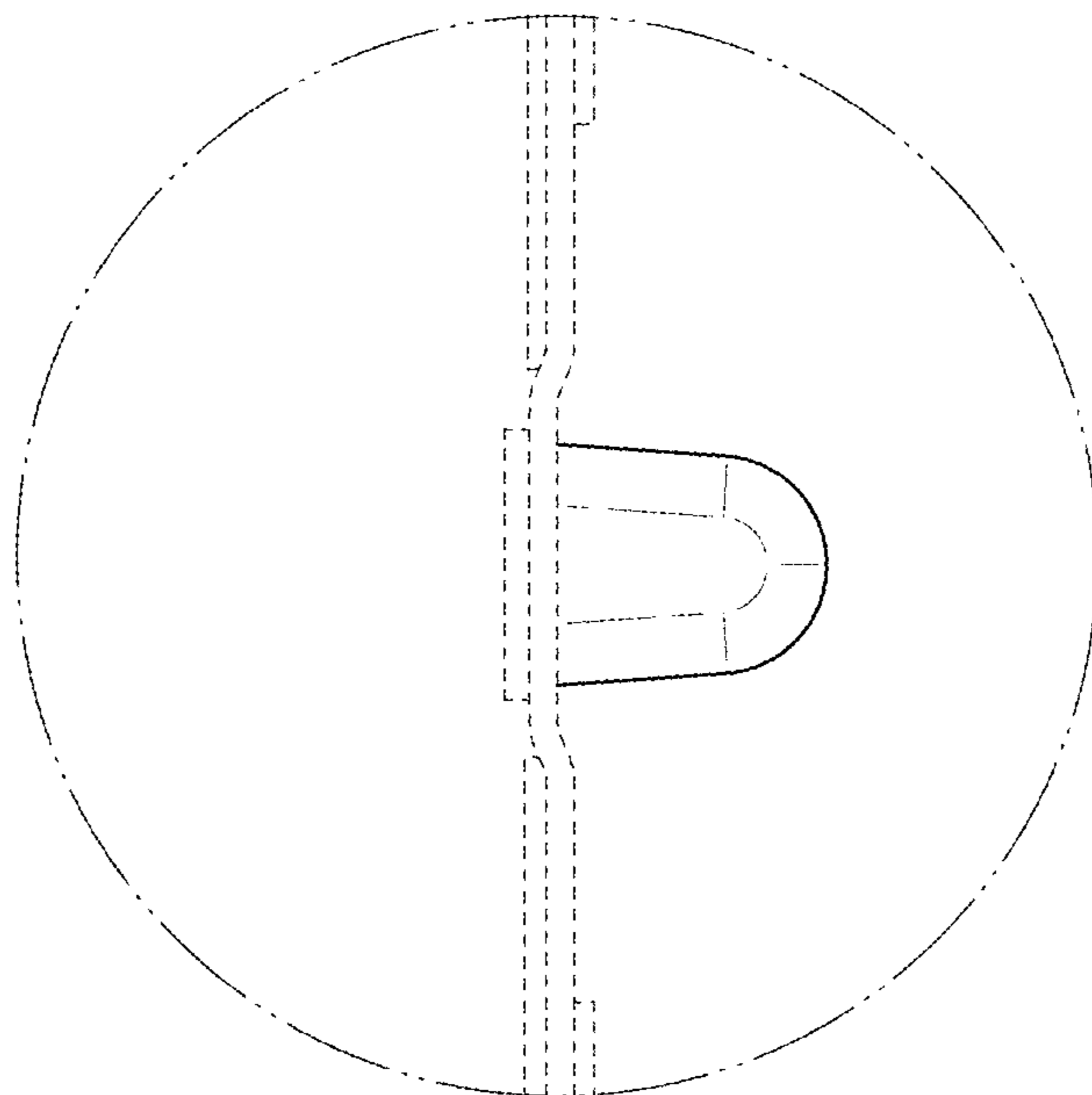


FIG. 12

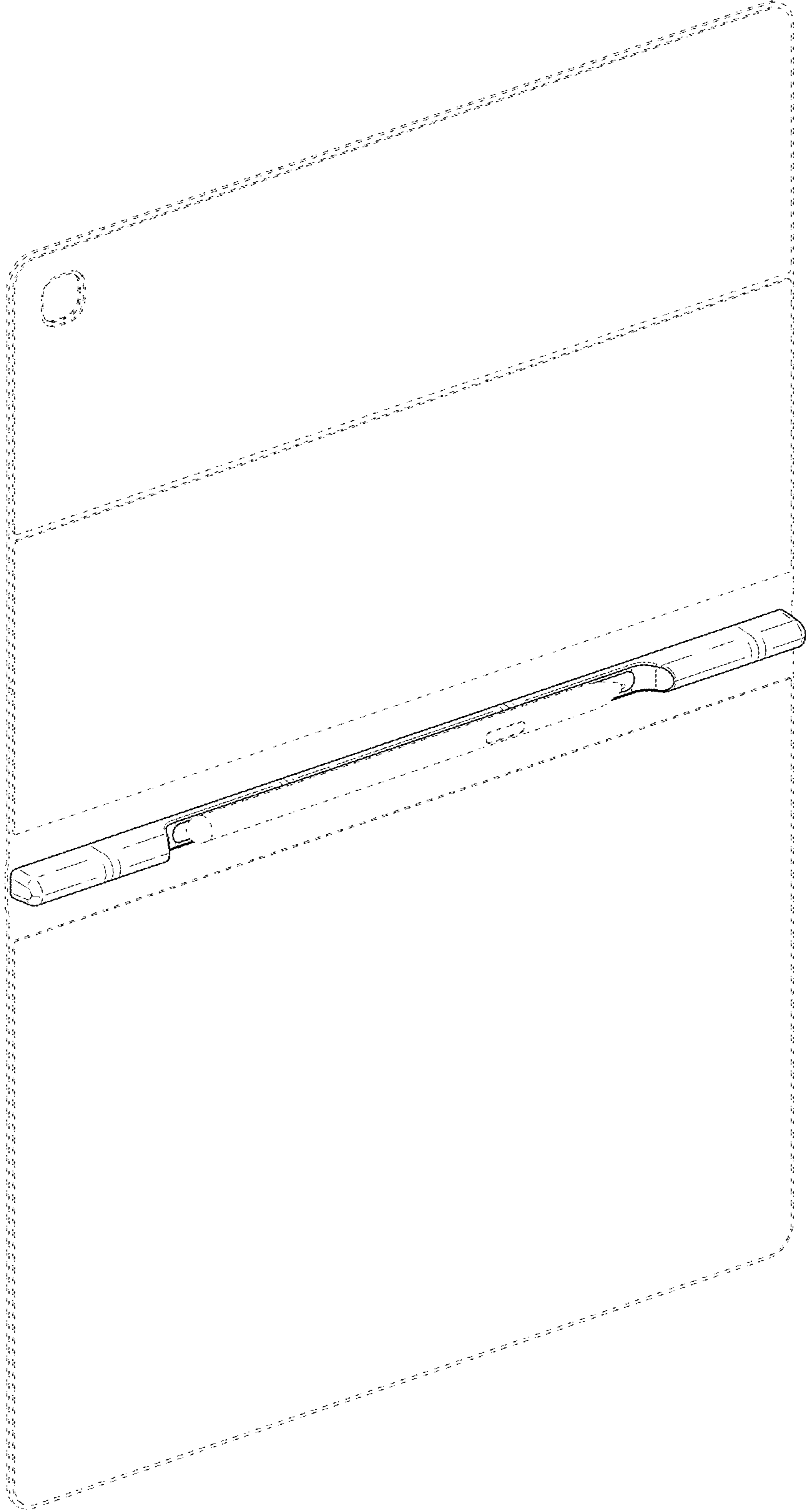


FIG. 13

