



US00D979571S

(12) **United States Design Patent** (10) **Patent No.:** **US D979,571 S**
Feng (45) **Date of Patent:** **** Feb. 28, 2023**

(54) **BOARD CARD**

21/00; G06Q 20/3229; G06Q 20/34;
G06Q 20/341; G06Q 20/346;

(71) Applicant: **Cambricon Technologies Corporation Limited, Beijing (CN)**

(Continued)

(72) Inventor: **Xiaobing Feng, Beijing (CN)**

(56) **References Cited**

(73) Assignee: **Cambricon Technologies Corporation Limited, Beijing (CN)**

U.S. PATENT DOCUMENTS

(**) Term: **15 Years**

5,338,214 A * 8/1994 Steffes G06F 1/186
439/928
6,671,177 B1 * 12/2003 Han H01L 23/467
257/722

(21) Appl. No.: **29/699,562**

(Continued)

(22) Filed: **Jul. 26, 2019**

Primary Examiner — Susan Moon Lee

(51) **LOC (14) Cl.** **14-02**

(74) *Attorney, Agent, or Firm* — Getech Law LLC; Jun Ye

(52) **U.S. Cl.**

(57) **CLAIM**

USPC **D14/435**

The ornamental design for a board card, as shown and described.

(58) **Field of Classification Search**

DESCRIPTION

USPC D14/110, 114, 125, 240, 242, 299–302,
D14/314, 348–370, 435–438, 496,
D14/478–480; D13/103, 119, 162, 184,
D13/199; D18/1, 7, 9, 11; D3/273, 269,
D3/201, 203.2, 207, 208, 212, 274, 247,
D3/249; 361/679.33–679.45, 737, 752,
361/736, 728, 796, 797, 729, 730,
361/725–727; 340/710; 345/163, 173;
428/137–138, 140, 304.4, 457; 360/69,
360/97.02; D9/432; 235/441, 443, 487,
235/492, 493, 495; 257/678, 679, 693,
257/23.064; 439/946, 948, 159;
438/121; 710/300–303; 174/250, 260,
174/52.1, 52.2; 206/38, 39.4, 39.5

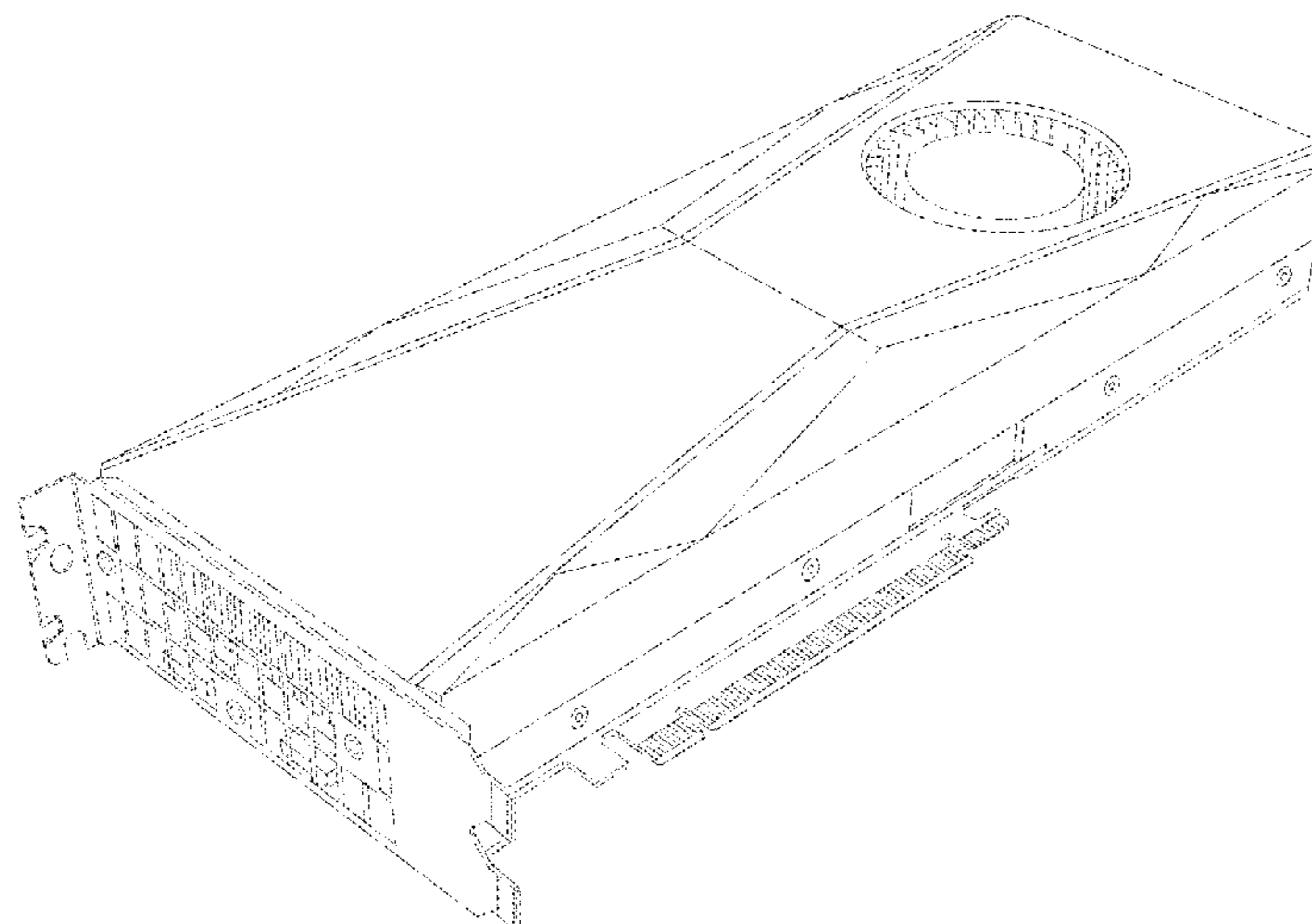
FIG. 1 is a perspective view of a board card in accordance with the present invention;
FIG. 2 is another perspective view of a board card thereof;
FIG. 3 is a front view of a board card thereof;
FIG. 4 is a rear view thereof;
FIG. 5 is a left view thereof;
FIG. 6 is a right view thereof;
FIG. 7 is a top view thereof; and,
FIG. 8 is a bottom view thereof.

CPC G06K 19/06196; G06K 19/072; G06K 19/0721; G06K 19/0722; G06K 19/0723; G06K 19/0724; G06K 19/0725; G06K 19/0726; G06K 19/0727; G06K 19/0728; G06K 19/073; G06K 19/07309; G06K 19/077; G06K 19/07701; G06K 19/07715; G06K 19/0772; G06K 19/07724; G06K 19/07726; G06K 19/07728; G06F 21/86; G06F 21/87; G06F 21/77–80; G06F 21/85–88; G06F

The features shown in broken lines in the various Figures are for illustrating environmental structure and form no part of the claimed design. The surfaces of the board card are not limited to any color designations.

Generally, the invention pertains to an ornamental design for an article of manufacture. The article is not limited to the scale shown herein. As indicated in the title, the article of manufacture to which the ornamental design has been applied is a board card, a printed circuit board (PCB) card, etc.

1 Claim, 8 Drawing Sheets



(58) **Field of Classification Search**

CPC G06Q 20/349; G06Q 20/3563; G06Q
 20/3567; G06Q 20/357; G06Q 20/3576;
 H05K 5/026; H05K 5/0256; H05K
 5/0265; H05K 5/0269; H05K 5/0273;
 H05K 5/0278; H05K 5/0282; H05K
 5/0286; H05K 5/0291; H05K 5/0295;
 H05K 5/03; H05K 5/04; H05K 5/06;
 H05K 5/061; H05K 5/062; H05K 5/063;
 H05K 5/064; H05K 5/065; H05K 5/066;
 H05K 5/067; H05K 5/068; H05K 5/069;
 H05K 7/00; H05K 7/005; H05K 7/02;
 H05K 7/023; H05K 7/026; H05K 7/04;
 H05K 7/10; H05K 7/1418; H05K 7/142;
 H05K 7/1424; H05K 7/1427-1439; H05K
 7/1461; H05K 7/1464-1474; H05K
 7/1479; H05K 7/1481; H05K
 7/1485-1488; H05K 2201/09745; H05K
 2201/09754; H05K 2201/09763; H05K
 2201/09772; H05K 2201/098; H05K
 2201/09818; H05K 2201/10; H05K
 2201/10007; H04N 2201/216

See application file for complete search history.

(56) **References Cited**

U.S. PATENT DOCUMENTS

6,772,246 B2 * 8/2004 Kim G06F 1/185
 361/801

D539,275 S * 3/2007 Furuya D14/240
 7,382,621 B2 * 6/2008 Peng H01L 23/427
 257/E23.099
 7,990,712 B2 * 8/2011 Fang G06F 1/20
 361/679.52
 9,036,348 B2 * 5/2015 Huang G06F 1/20
 417/423.15
 9,471,115 B2 * 10/2016 Richard G06F 1/186
 9,946,314 B1 * 4/2018 Han H05K 7/20409
 D916,706 S * 4/2021 Fan D13/179
 D928,161 S * 8/2021 Fan D13/179
 2003/0016496 A1 * 1/2003 Kim H05K 7/1408
 361/695
 2005/0061477 A1 * 3/2005 Mira H01L 23/467
 257/E23.099
 2007/0047211 A1 * 3/2007 Refai-Ahmed H01L 23/4093
 361/720
 2007/0133178 A1 * 6/2007 Han H01L 23/427
 257/E23.099
 2007/0280818 A1 * 12/2007 Yang F04D 29/582
 415/102
 2009/0059525 A1 * 3/2009 Peng H01L 23/467
 361/697
 2012/0087088 A1 * 4/2012 Killion H01L 23/427
 165/104.25
 2012/0268890 A1 * 10/2012 Stock G06F 1/20
 361/679.53
 2015/0346783 A1 * 12/2015 Kinstle, III G06F 1/20
 361/679.48

* cited by examiner

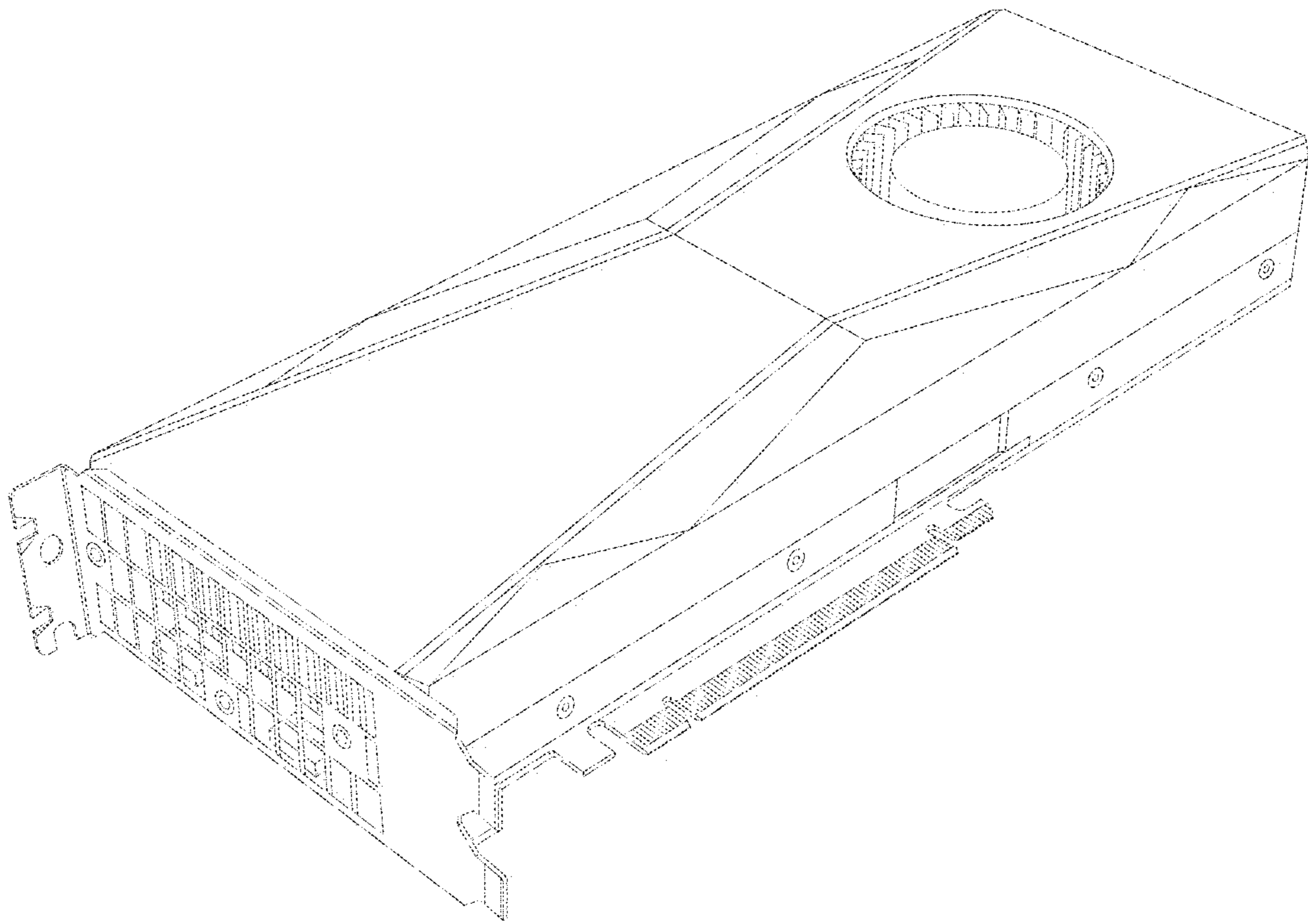


FIG. 1

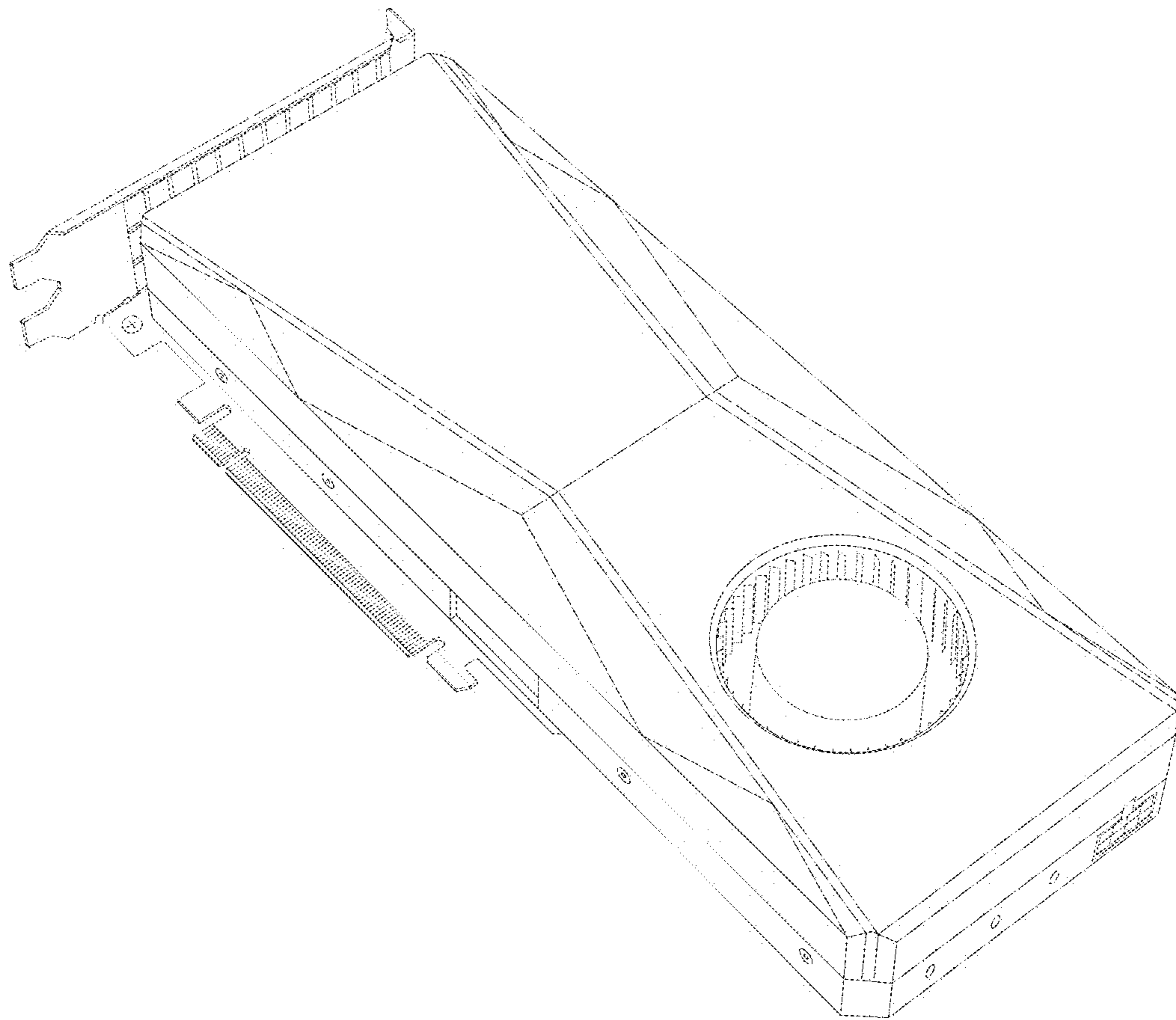


FIG. 2

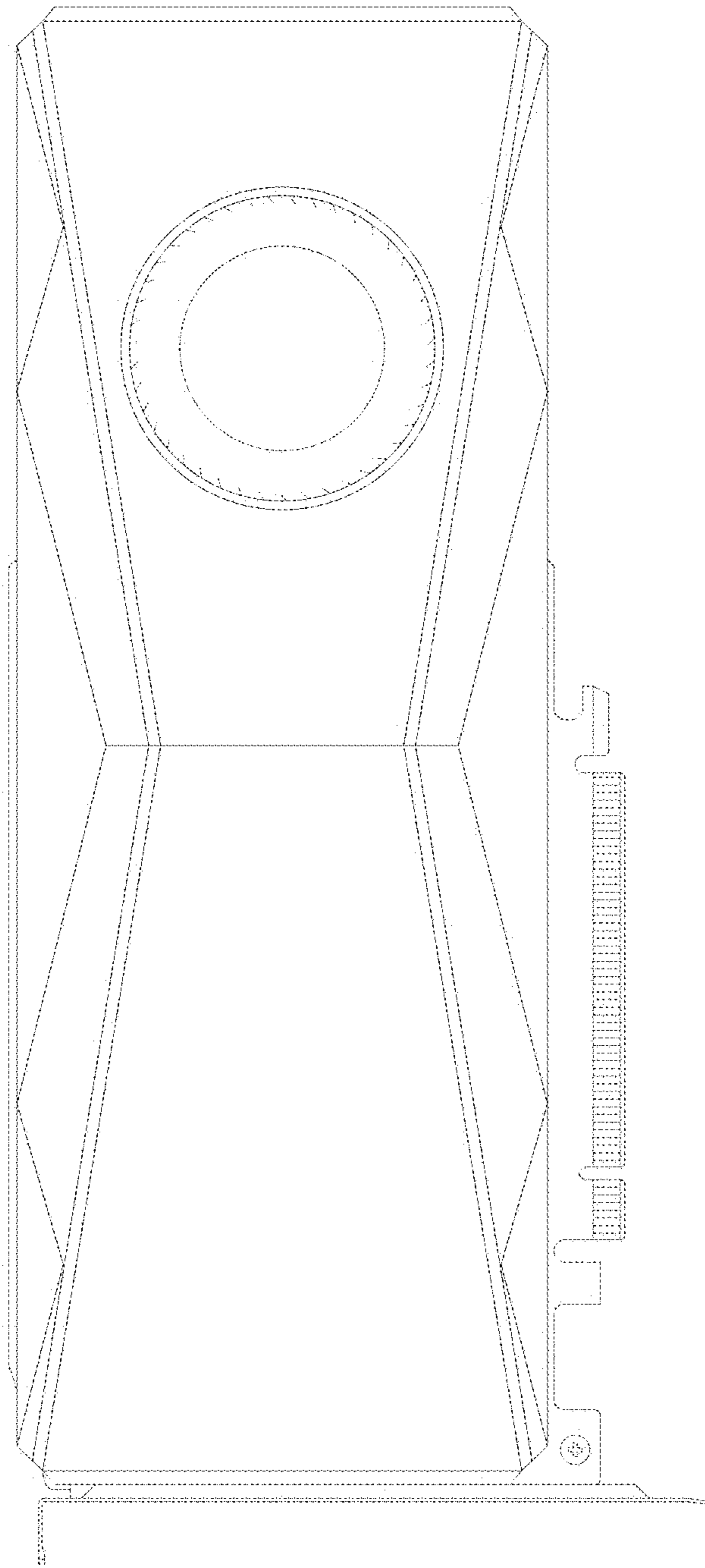


FIG. 3

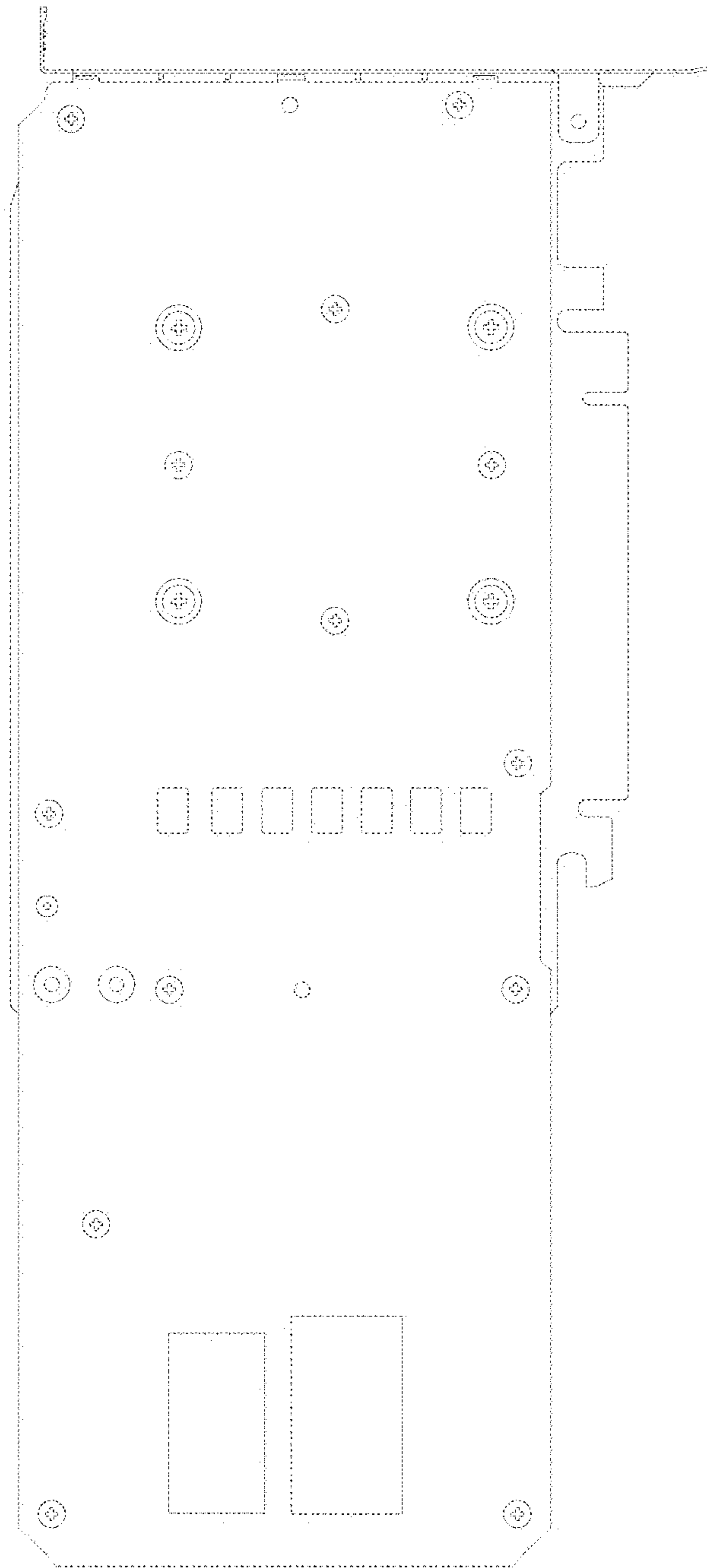


FIG. 4

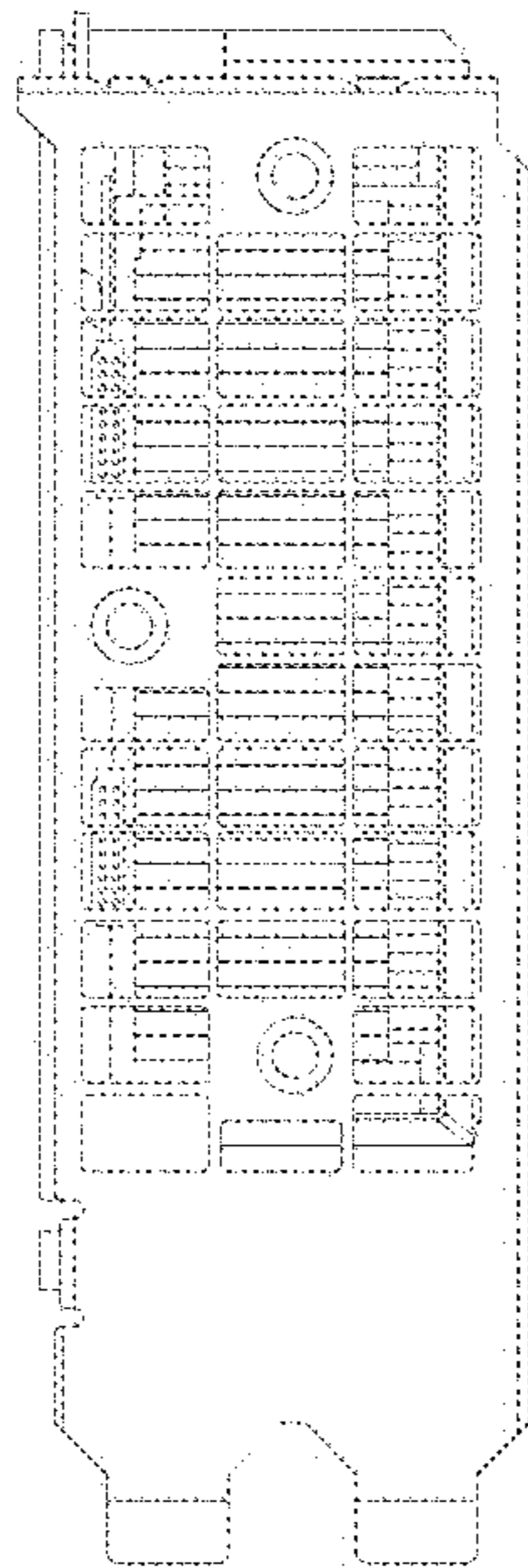


FIG. 5

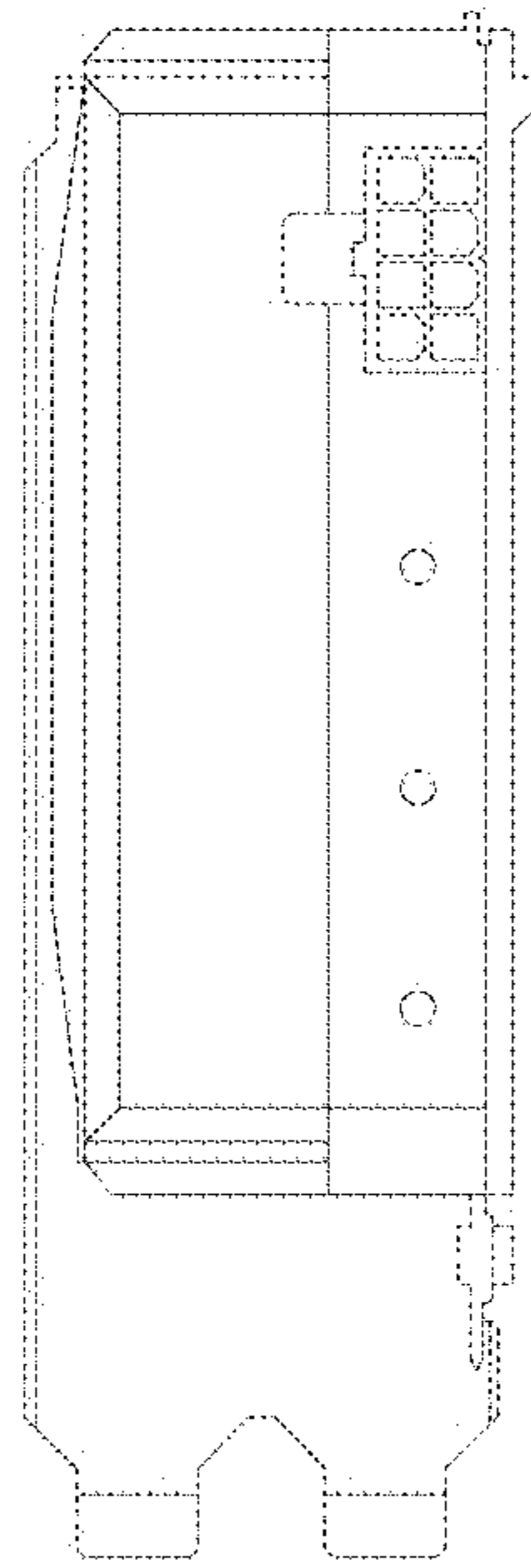


FIG. 6

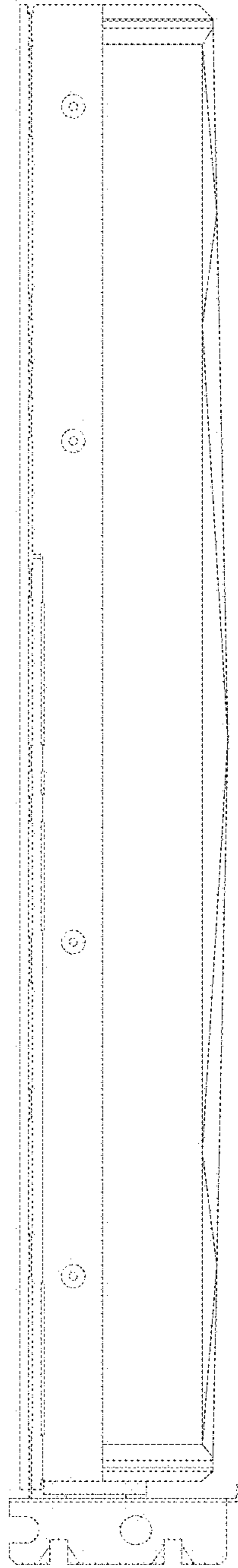


FIG. 7

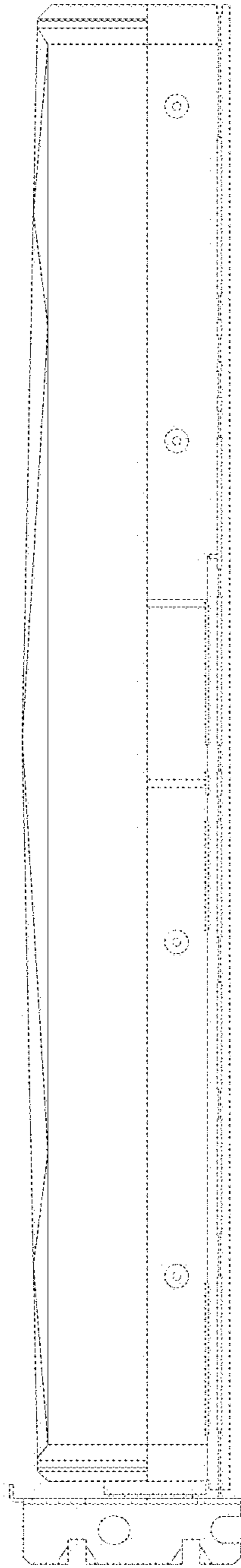


FIG. 8