



US00D979570S

(12) **United States Design Patent**
Cai

(10) **Patent No.:** **US D979,570 S**
(45) **Date of Patent:** **** Feb. 28, 2023**

(54) **HUB**

(71) Applicant: **SHENZHEN DEONE INNOVATION TECHNOLOGY CO., LTD**, Shenzhen (CN)

(72) Inventor: **Xueliang Cai**, Shenzhen (CN)

(73) Assignee: **SHENZHEN DEONE INNOVATION TECHNOLOGY CO., LTD**, Shenzhen (CN)

(**) Term: **15 Years**

(21) Appl. No.: **29/847,672**

(22) Filed: **Jul. 27, 2022**

(30) **Foreign Application Priority Data**

Jul. 14, 2022 (CN) 202230447459.1

(51) **LOC (14) Cl.** **14-02**

(52) **U.S. Cl.**
USPC **D14/433**; D14/356

(58) **Field of Classification Search**
USPC D14/203.1–203.3, 348, 356–358, 363,
D14/367–369, 432–438, 480.1–480.7,
D14/484.1; D13/103, 107–108, 110, 158,
D13/168–169

CPC G06F 2213/38; G06F 2213/4004; G06F
2213/4002

See application file for complete search history.

(56) **References Cited**

U.S. PATENT DOCUMENTS

- D266,500 S * 10/1982 Garbe D13/164
- D365,340 S * 12/1995 Hill D8/347
- D431,230 S * 9/2000 Began D13/184
- D574,375 S * 8/2008 Prest D14/217
- D575,288 S * 8/2008 Chen D14/433
- D585,059 S * 1/2009 Maiers D14/356

(Continued)

FOREIGN PATENT DOCUMENTS

CA 131907 * 3/2010
CN 303287182 * 7/2015

(Continued)

OTHER PUBLICATIONS

LAN Docking Station for Steam Deck, ivoler, amazon.com, published by ivoler, first available on Jul. 27, 2022 © 1996-2022 Amazon.com, Inc., online, site visited Sep. 27, 2022. Available from Internet, URL: <https://www.amazon.com/Docking-Ethernet-Aluminum-Charging-Compatible/dp/B0B7Q9LJZ5/> (Year: 2022).*

(Continued)

Primary Examiner — Holly E Thurman

Assistant Examiner — Altaira J Swangin

(74) *Attorney, Agent, or Firm* — Daniel M. Cohn;

Howard M. Cohn

(57) **CLAIM**

The ornamental design for a hub, as shown and described.

DESCRIPTION

FIG. 1 is a perspective view of a hub showing my new design;

FIG. 2 is another perspective view thereof;

FIG. 3 is a front elevational view thereof;

FIG. 4 is a rear elevational view thereof;

FIG. 5 is a left side elevational view thereof;

FIG. 6 is a right side elevational view thereof;

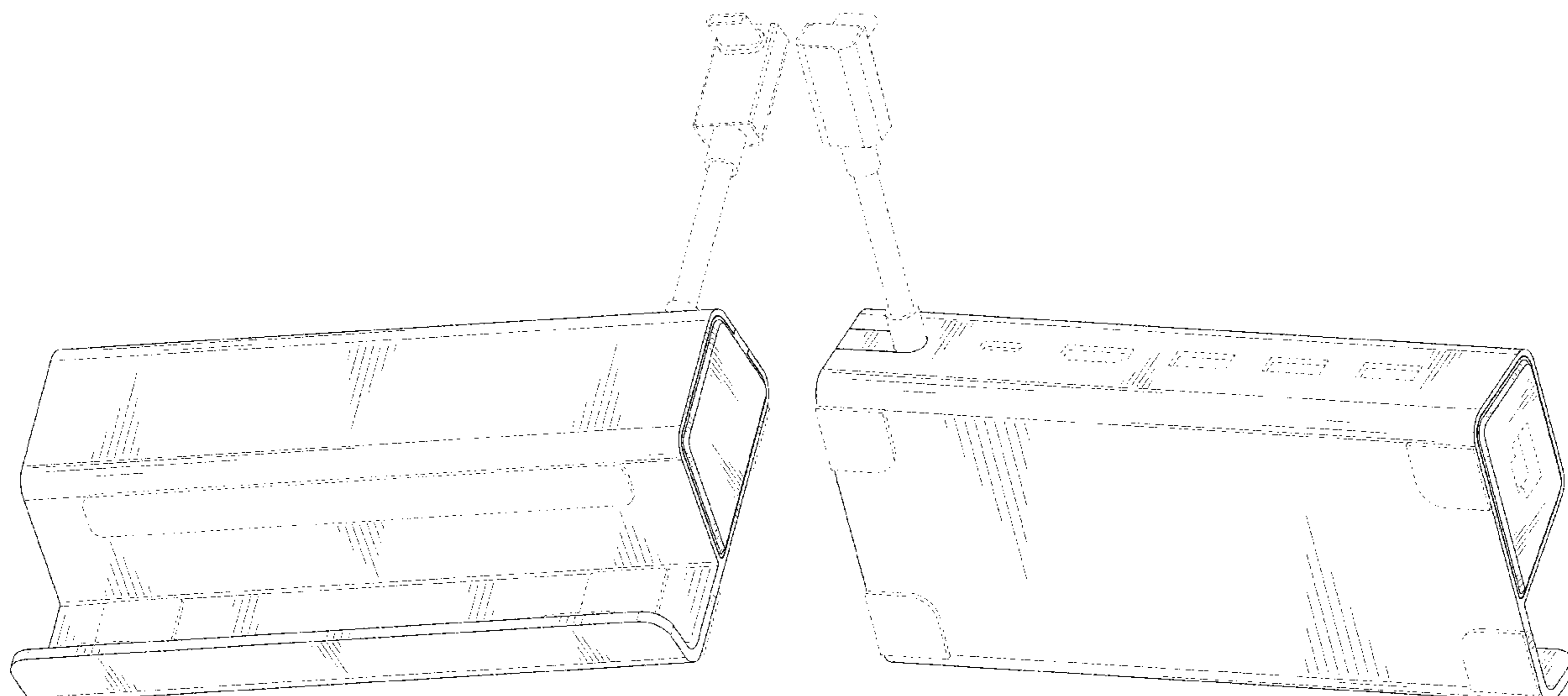
FIG. 7 is a top plan view thereof;

FIG. 8 is a bottom plan view thereof; and,

FIG. 9 is a perspective view of the hub where the hub is in a configuration of use.

The broken lines in the drawings depict portions of the hub that form no part of the claimed design.

1 Claim, 9 Drawing Sheets



(56)

References Cited

U.S. PATENT DOCUMENTS

D587,706 S * 3/2009 Maiers D14/356
 D587,707 S * 3/2009 Maiers D14/356
 D616,449 S * 5/2010 Lo D14/480.7
 D623,189 S * 9/2010 Son D14/434
 7,830,661 B2 * 11/2010 Sween G06F 1/20
 361/679.48
 D639,789 S * 6/2011 Kim D14/242
 D654,083 S * 2/2012 Lo D14/480.7
 D674,392 S * 1/2013 Cheng D14/434
 D685,322 S * 7/2013 Szymanski D13/108
 D687,010 S * 7/2013 McManigal D14/188
 D690,308 S * 9/2013 McCoy D14/458
 D690,647 S * 10/2013 Huang D13/108
 D704,633 S * 5/2014 Ryu D13/108
 D740,828 S * 10/2015 Bucsa D14/433
 D742,382 S * 11/2015 Shao D14/432
 D746,823 S * 1/2016 Lai D14/434
 D781,841 S * 3/2017 Salathe D14/253
 D795,876 S * 8/2017 Fletcher D14/434
 D845,303 S * 4/2019 Laffon de Mazieres D14/433
 D864,209 S * 10/2019 Wang D14/433
 D883,293 S * 5/2020 Zhang D14/433
 D886,812 S 6/2020 Jung et al.
 D886,826 S * 6/2020 Zhan D14/433
 D901,507 S * 11/2020 Klinkman D14/434
 D906,145 S 12/2020 Siminoff et al.

D907,041 S * 1/2021 Jiang D14/433
 D918,900 S * 5/2021 Lin D14/433
 D949,854 S * 4/2022 Jung D14/358

FOREIGN PATENT DOCUMENTS

CN 303492966 * 12/2015
 CN 304641983 * 5/2018
 EP 009095409-0001 * 8/2022
 EP 009095409-0002 * 8/2022
 EP 009095409-0003 * 8/2022
 EP 009095409-0004 * 8/2022
 KR 300619148.0000 * 11/2011
 KR 301071811.0000 * 8/2020

OTHER PUBLICATIONS

Steam Deck Dock, YYDSTDK, amazon.com, published by YYDSTDK, first available on Sep. 30, 2022 © 1996-2022 Amazon.com, Inc., online, site visited Nov. 7, 2022. Available from Internet, URL: <https://www.amazon.com/dp/B0BGXF6QD4/> (Year: 2022).*
 DIY Steam Deck Dock, Project-SBC, youtube.com, published by Project-SBC, published on Mar. 8, 2022 © unlisted, online, site visited Nov. 7, 2022. Available from Internet, URL: <https://www.youtube.com/watch?v=zvszOtd7Mk> (Year: 2022).*

* cited by examiner

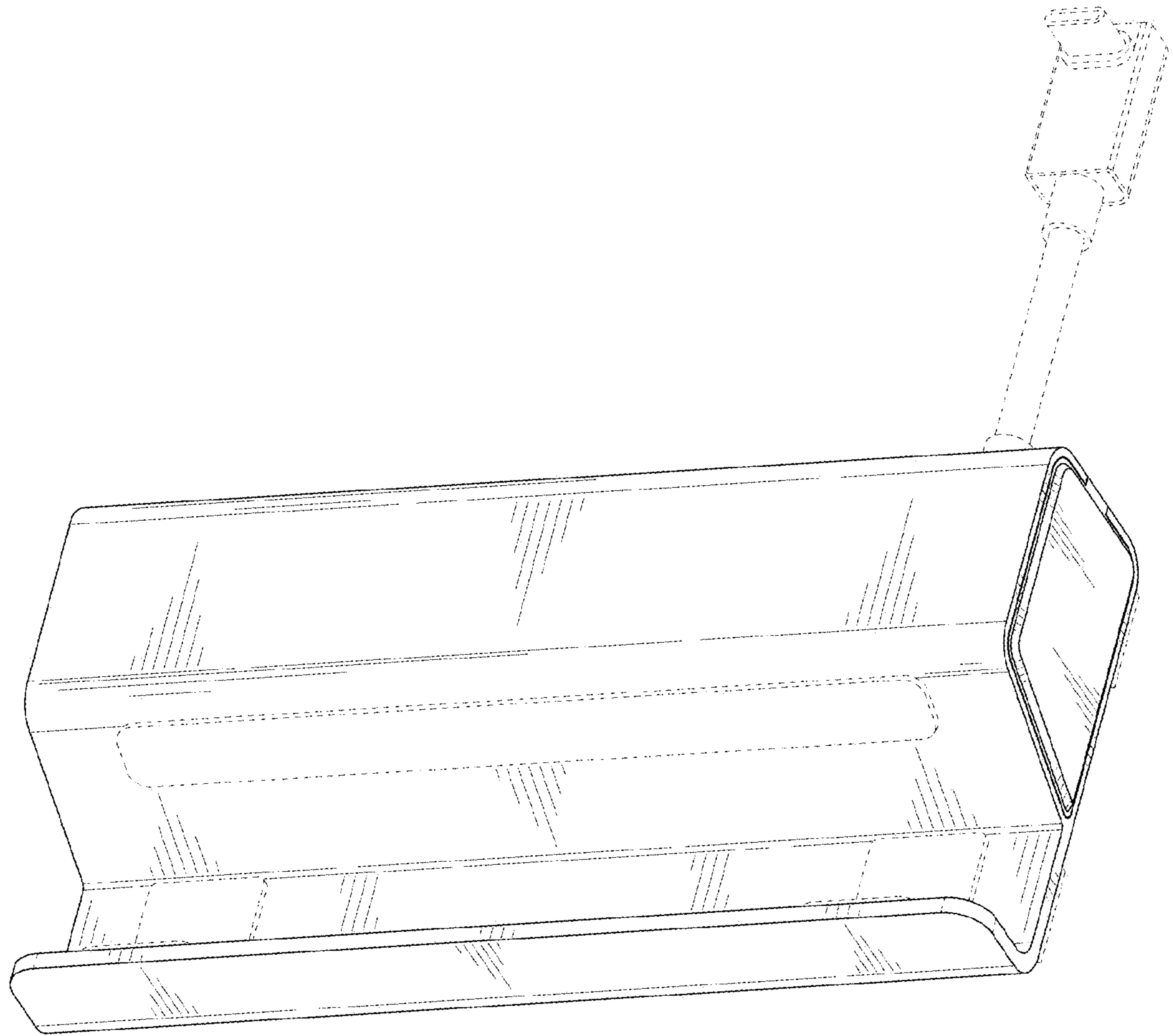


FIG. 1

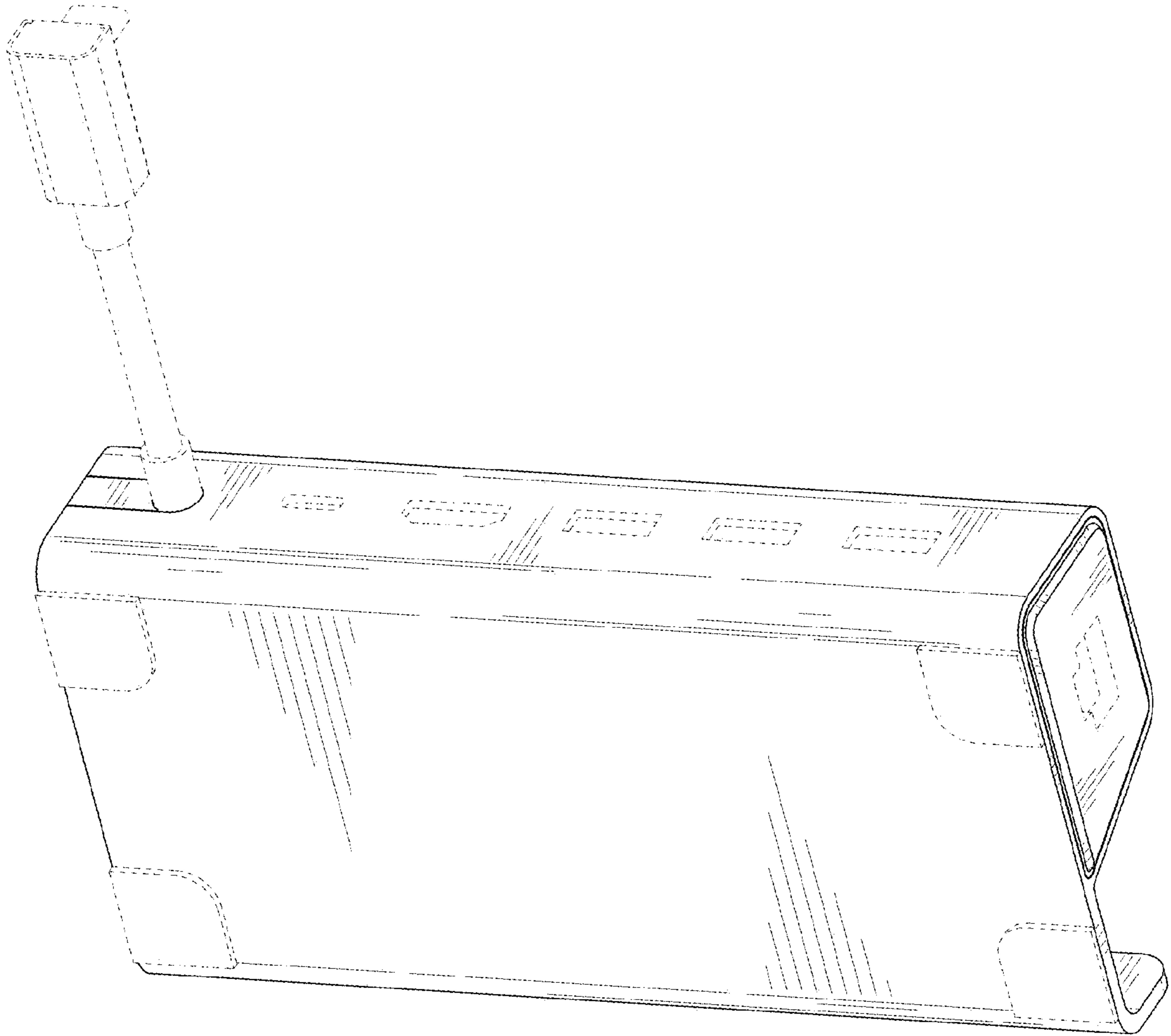


FIG. 2

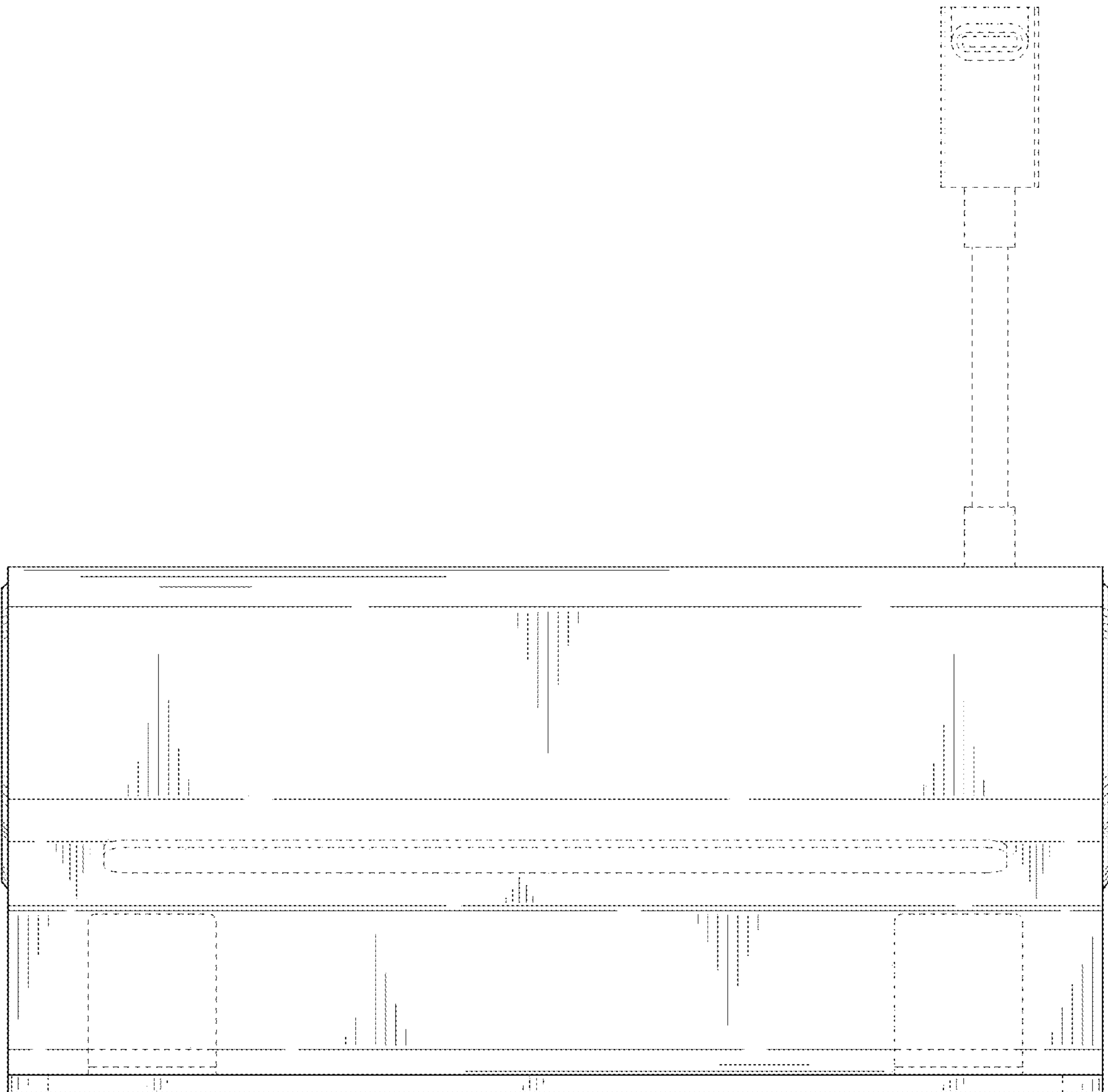


FIG. 3

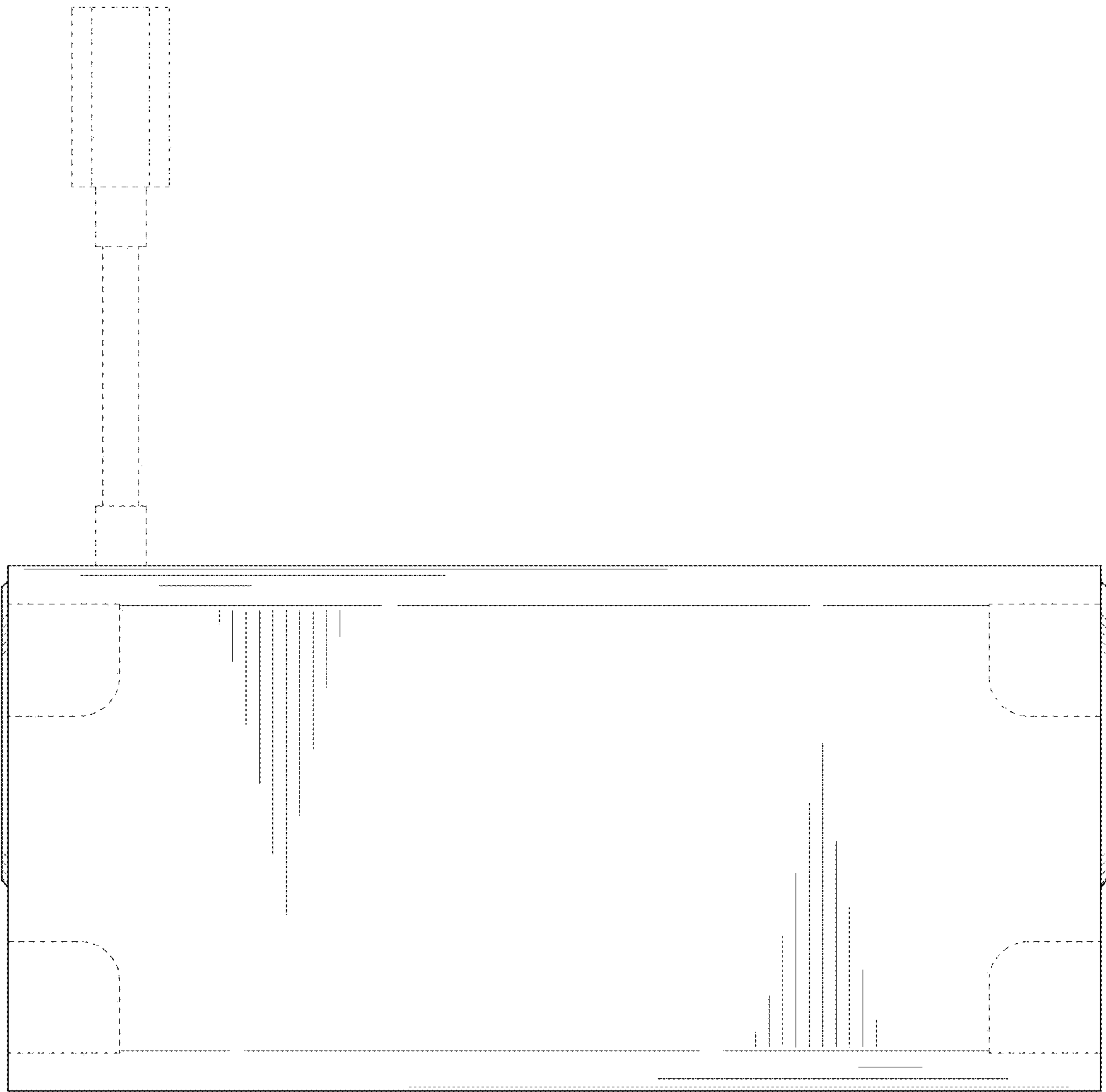


FIG. 4

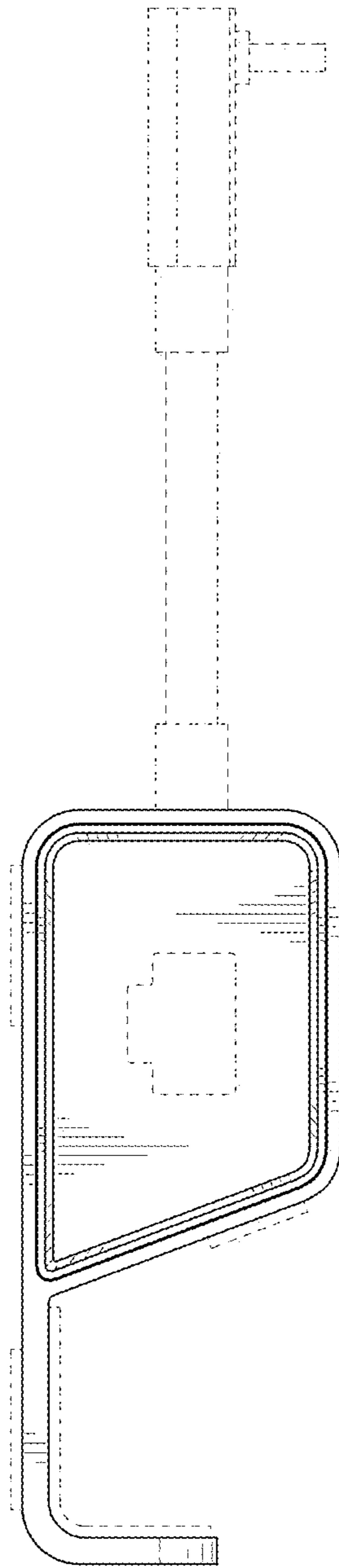


FIG. 5

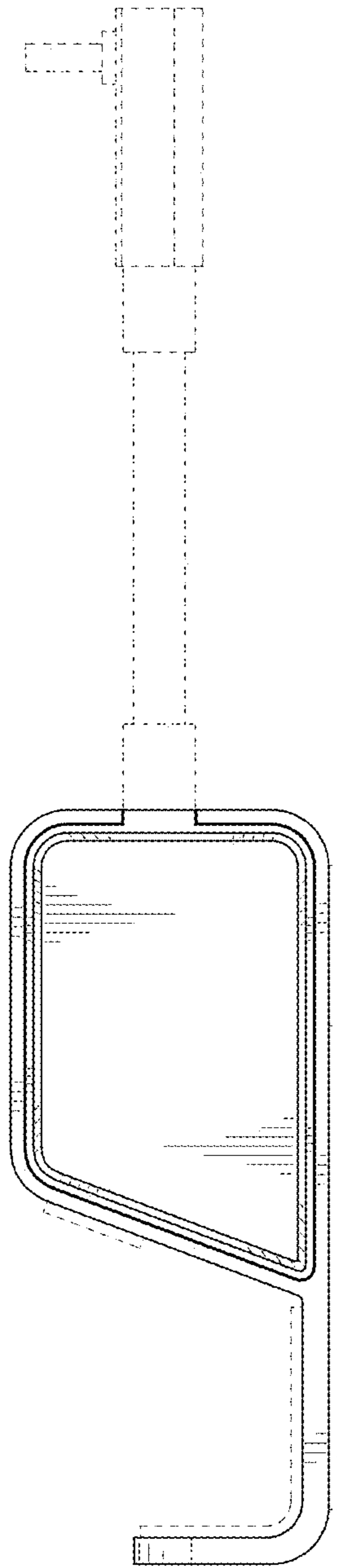


FIG. 6

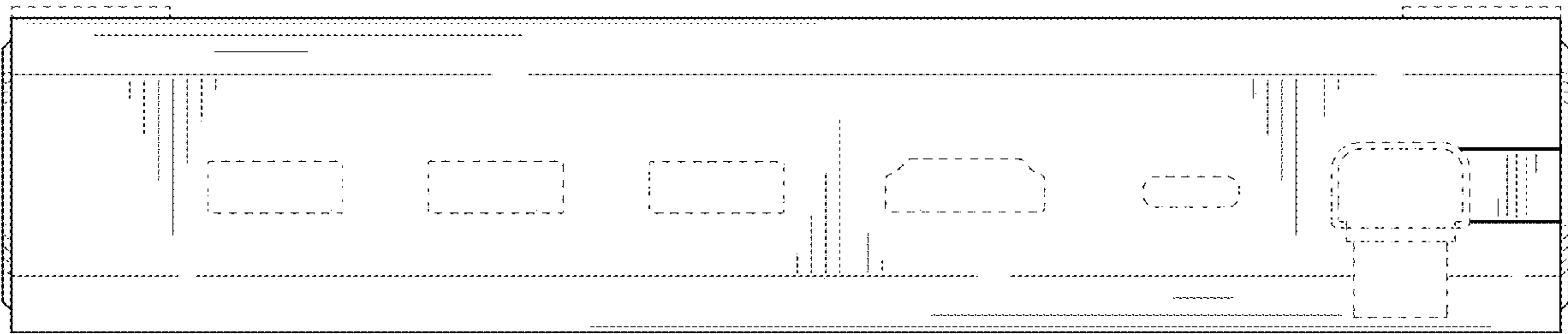


FIG. 7

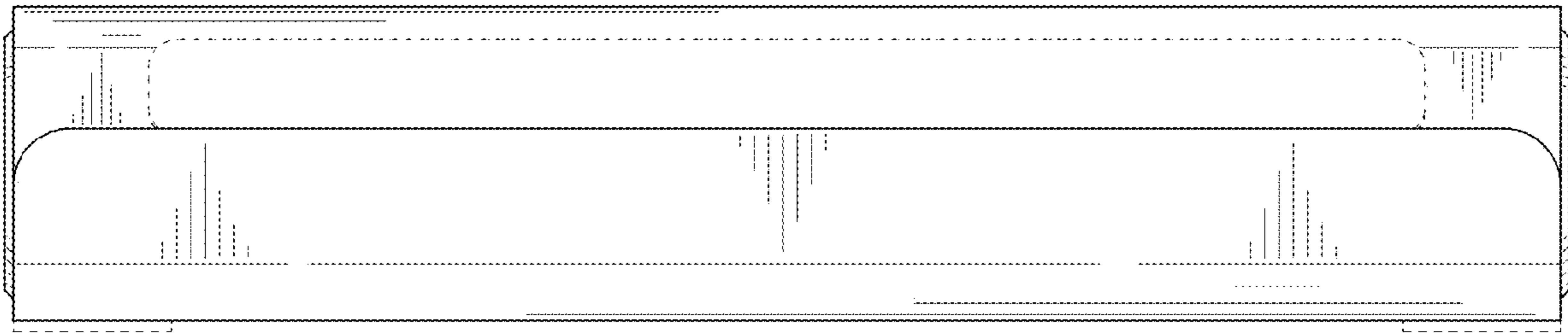


FIG. 8

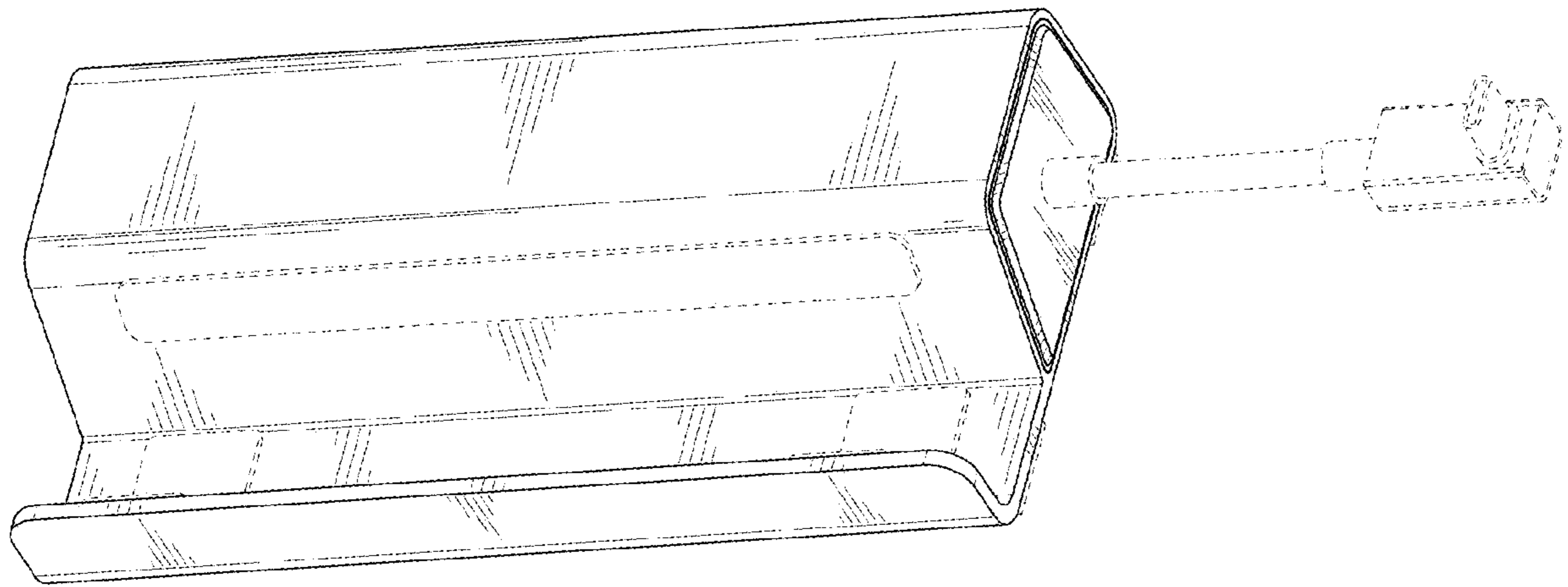


FIG. 9