



US00D979568S

(12) **United States Design Patent**  
**Ng et al.**

(10) **Patent No.:** **US D979,568 S**  
(45) **Date of Patent:** **\*\* Feb. 28, 2023**

(54) **CARD READER**

(71) Applicant: **Toast, Inc.**, Boston, MA (US)

(72) Inventors: **Boon Ping Ng**, Andover, MD (US);  
**Justin R Albanese**, Canton, MA (US);  
**Gaurav Nakhare**, Boston, MA (US);  
**Daniel W Reineberg**, Watertown, MA (US);  
**Rishin D Shah**, Westford, MA (US);  
**Yueyue Wang**, Boston, MA (US)

(73) Assignee: **Toast, Inc.**, Boston, MA (US)

(\*\*) Term: **15 Years**

(21) Appl. No.: **29/702,520**

(22) Filed: **Aug. 20, 2019**

(51) **LOC (14) Cl.** ..... **14-02**

(52) **U.S. Cl.**

USPC ..... **D14/385**

(58) **Field of Classification Search**

USPC ..... D18/4.4, 4.5, 4.6, 12, 12.1, 12.3;  
D14/383, 384, 385, 386, 378, 420, 427,

(Continued)

(56) **References Cited**

U.S. PATENT DOCUMENTS

D408,799 S 4/1999 Daury  
D569,866 S \* 5/2008 Turpault ..... D14/385

(Continued)

*Primary Examiner* — Austin Murphy

(74) *Attorney, Agent, or Firm* — Richard K. Huffman;  
Huffman Patent Group, LLC

(57) **CLAIM**

The ornamental design for a card reader, as shown and described.

**DESCRIPTION**

FIG. 1 is a top perspective view of a card reader showing our new design according to a first embodiment;

FIG. 2 is another top perspective view of the first embodiment;

FIG. 3 is a front elevational view of the first embodiment;

FIG. 4 is a rear elevational view of the first embodiment;

FIG. 5 is a right side elevational view of the first embodiment;

FIG. 6 is a left side elevational view of the first embodiment;

FIG. 7 is a top plan view of the first embodiment;

FIG. 8 is a bottom plan view of the first embodiment;

FIG. 9 is a bottom perspective view of the first embodiment;

FIG. 10 is another bottom perspective view of the first embodiment;

FIG. 11 is a view similar to FIG. 1 but with additional broken lines;

FIG. 12 is another view similar to FIG. 1 but with additional broken lines;

FIG. 13 is a top plan view of the card reader showing our new design according to a second embodiment, wherein:

the front elevational view of the second embodiment is identical to the front elevational view of the first embodiment shown in FIG. 3,

the rear elevational view of the second embodiment is identical to the rear elevational view of the first embodiment shown in FIG. 4,

the right side elevational view of the second embodiment is identical to the right side elevational view of the first embodiment shown in FIG. 5,

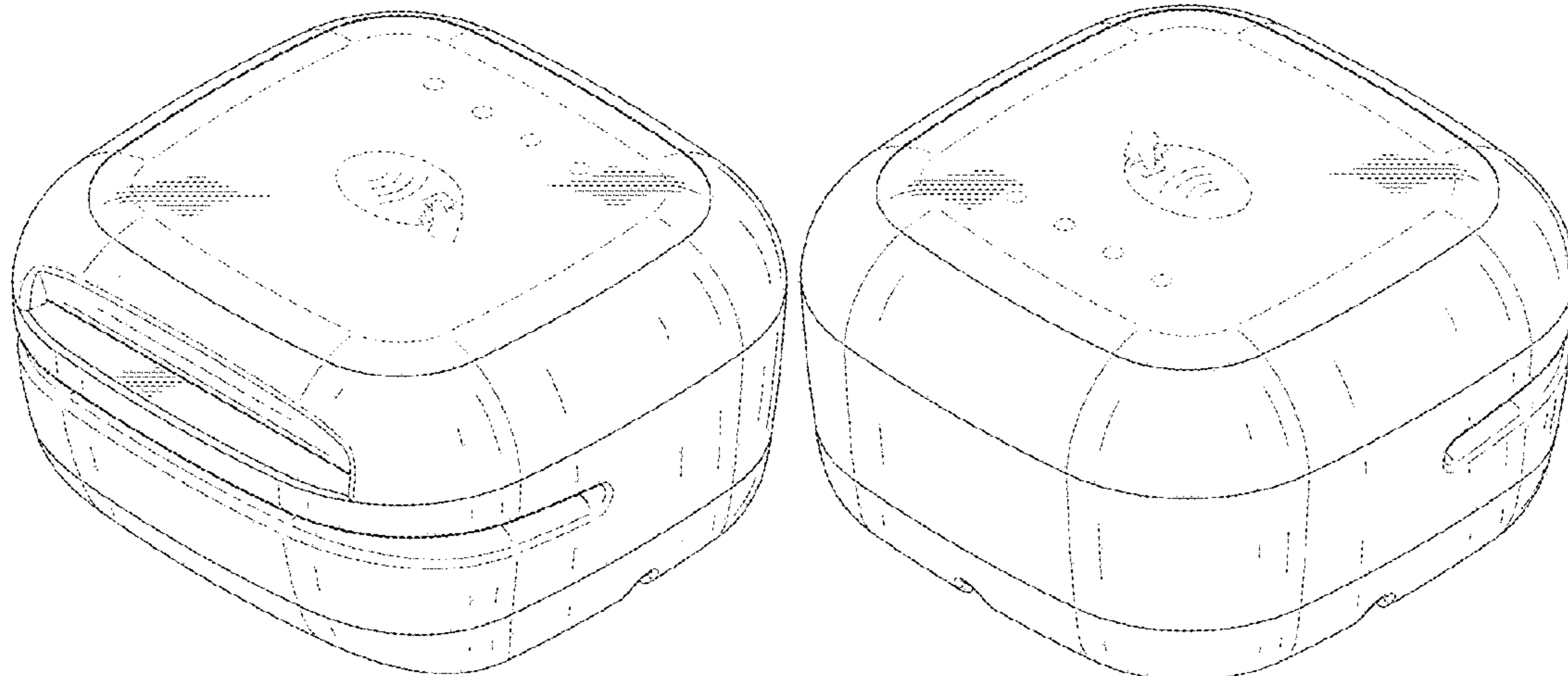
the left side elevational view of the second embodiment is identical to the left side elevational view of the first embodiment shown in FIG. 6,

the bottom plan view of the second embodiment is identical to the bottom plan view of the first embodiment shown in FIG. 8, and

bottom perspective views of the second embodiment are identical to the bottom perspective views of the first embodiment shown in FIGS. 9 and 10 when the second embodiment is viewed from perspectives that are the same as the perspectives from which the first embodiment is viewed in FIGS. 9 and 10, respectively;

FIG. 14 is a top plan view of the card reader showing our new design according to a third embodiment, wherein:

(Continued)



the front elevational view of the third embodiment is identical to the front elevational view of the first embodiment shown in FIG. 3,

the rear elevational view of the third embodiment is identical to the rear elevational view of the first embodiment shown in FIG. 4,

the right side elevational view of the third embodiment is identical to the right side elevational view of the first embodiment shown in FIG. 5,

the left side elevational view of the third embodiment is identical to the left side elevational view of the first embodiment shown in FIG. 6,

the bottom plan view of the third embodiment is identical to the bottom plan view of the first embodiment shown in FIG. 8, and

bottom perspective views of the third embodiment are identical to the bottom perspective views of the first embodiment shown in FIGS. 9 and 10 when the third embodiment is viewed from perspectives that are the same as the perspectives from which the first embodiment is viewed in FIGS. 9 and 10, respectively;

FIG. 15 is a top perspective view of the card reader showing our new design according to a fourth embodiment;

FIG. 16 is another top perspective view of the fourth embodiment;

FIG. 17 is a front elevational view of the fourth embodiment;

FIG. 18 is a rear elevational view of the fourth embodiment;

FIG. 19 is a right side elevational view of the fourth embodiment;

FIG. 20 is a left side elevational view of the fourth embodiment;

FIG. 21 is a top plan view of the fourth embodiment;

FIG. 22 is a bottom plan view of the fourth embodiment;

FIG. 23 is a bottom perspective view of the fourth embodiment;

FIG. 24 is another bottom perspective view of the fourth embodiment;

FIG. 25 is a view similar to FIG. 15 but with additional broken lines;

FIG. 26 is another view similar to FIG. 15 but with additional broken lines;

FIG. 27 is a top plan view of the card reader showing our new design according to a fifth embodiment, wherein:

the front elevational view of the fifth embodiment is identical to the front elevational view of the fourth embodiment shown in FIG. 17,

the rear elevational view of the fifth embodiment is identical to the rear elevational view of the fourth embodiment shown in FIG. 18,

the right side elevational view of the fifth embodiment is identical to the right side elevational view of the fourth embodiment shown in FIG. 19,

the left side elevational view of the fifth embodiment is identical to the left side elevational view of the fourth embodiment shown in FIG. 20,

the bottom plan view of the fifth embodiment is identical to the bottom plan view of the fourth embodiment shown in FIG. 22, and

bottom perspective views of the fifth embodiment are identical to the bottom perspective views of the fourth embodiment shown in FIGS. 23 and 24 when the fifth embodiment is viewed from perspectives that are the same as the perspectives from which the fourth embodiment is viewed in FIGS. 23 and 24, respectively; and,

FIG. 28 is a top plan view of the card reader showing our new design according to a sixth embodiment, wherein:

the front elevational view of the sixth embodiment is identical to the front elevational view of the fourth embodiment shown in FIG. 17,

the rear elevational view of the sixth embodiment is identical to the rear elevational view of the fourth embodiment shown in FIG. 18,

the right side elevational view of the sixth embodiment is identical to the right side elevational view of the fourth embodiment shown in FIG. 19,

the left side elevational view of the sixth embodiment is identical to the left side elevational view of the fourth embodiment shown in FIG. 20,

the bottom plan view of the sixth embodiment is identical to the bottom plan view of the fourth embodiment shown in FIG. 22, and bottom perspective views of the sixth embodiment are identical to the bottom perspective views of the fourth embodiment shown in FIGS. 23 and 24 when the sixth embodiment is viewed from perspectives that are the same as the perspectives from which the fourth embodiment is viewed in FIGS. 23 and 24, respectively.

The broken lines in each of FIGS. 1, 2, 7-10, 13-16, 21-24, 27, and 28 show portions of the card reader that form no part of the claimed design.

The broken lines in each of FIGS. 11, 12, 25, and 26 show portions of the card reader that form no part of the claimed design, and also show a card that is environmental structure and forms no part of the claimed design.

The Contactless Symbol, which is shown in broken lines in FIGS. 1, 2, 7, 11-16, 21, and 25-28 and forms no part of the claimed design, represents a trademark owned by EMVCo, LLC.

The six (6) areas encircled by broken lines in FIG. 8 form no part of the claimed design, and the six (6) areas encircled by broken lines in FIG. 22 form no part of the claimed design.

In each of the first, second, third, fourth, fifth, and sixth embodiments, oblique line shading represents portions of our new design that are transparent or translucent.

In each of the fourth, fifth, and sixth embodiments, solid gray shading represents a color contrast in the sense that the portions of our new design so shaded, which may be any color, for example, red, black, silver, white, gray, blue, green, or yellow, are in color contrast with the portions of our new design that are not so shaded, including the transparent or translucent portions of our new design.

In FIGS. 15-20, 25, and 26, the solid gray shading varies in tone and thus includes lighter solid gray shading and darker solid gray shading. The lighter solid gray shading represents the solid gray shaded portions of our new design that are viewed through one of the transparent or translucent portions of our new design. The darker solid dark gray shading represents the solid gray shaded portions of our new design that are not viewed through any of the transparent or translucent portions of our new design.

In each of FIGS. 21, 27, and 28, the solid gray shading does not vary in tone and only includes the lighter solid gray shading, which represents the solid gray shaded portions of our new design that are viewed through the one of the transparent or translucent portions of our new design.

In each of FIGS. 22-24, the solid gray shading does not vary in tone and only includes the darker solid gray shading, which represents the solid gray shaded portions of our new

design that are not viewed through any of the transparent or translucent portions of our new design.

In FIGS. 1-14, the absence of solid gray shading does not limit each of the first, second, and third embodiments to a single color or a single combination of colors, but instead represents that each of the first, second, and third embodiments may be any color or may have any combination of colors, including combinations of colors according to which different portions of our new design have different colors.

In FIGS. 3-6, 8-10, 17-20, and 22-24, the stippled shading indicates a contrasting material.

**1 Claim, 28 Drawing Sheets**

(58) **Field of Classification Search**

USPC ..... D14/432-439, 447, 453; D13/107, 108, D13/133, 146, 147, 152, 154, 156; 235/441, 451, 492, 380, 439, 375  
CPC ..... G06K 19/07749; G06K 19/0723; G06K 19/041; G06K 19/07758; G06K 19/0775; G06K 19/07783; G06K 19/07794; G06K

19/06046; G06K 19/07722; G06K 19/07773; G06K 19/07779; G06K 19/07784; G06K 19/07786; G06K 19/0709

See application file for complete search history.

(56)

**References Cited**

U.S. PATENT DOCUMENTS

D637,189	S	5/2011	Hemming et al.	
D703,670	S	4/2014	Rotsaert	
D740,285	S *	10/2015	Templeton .....	D14/385
D740,286	S *	10/2015	Templeton .....	D14/385
D766,901	S *	9/2016	Nguyen .....	D14/385
D795,869	S *	8/2017	Templeton .....	D14/385
D797,740	S *	9/2017	Nguyen .....	D14/385
D871,407	S *	12/2019	Isaacs .....	D14/385
D905,059	S *	12/2020	Martin .....	D14/385
D930,649	S *	9/2021	Matsue .....	D14/385
D932,490	S *	10/2021	Martin .....	D14/385
D944,797	S *	3/2022	Isaacs .....	D14/385
D949,859	S *	4/2022	Foody .....	D14/385
D953,330	S *	5/2022	Liu .....	D14/385

\* cited by examiner

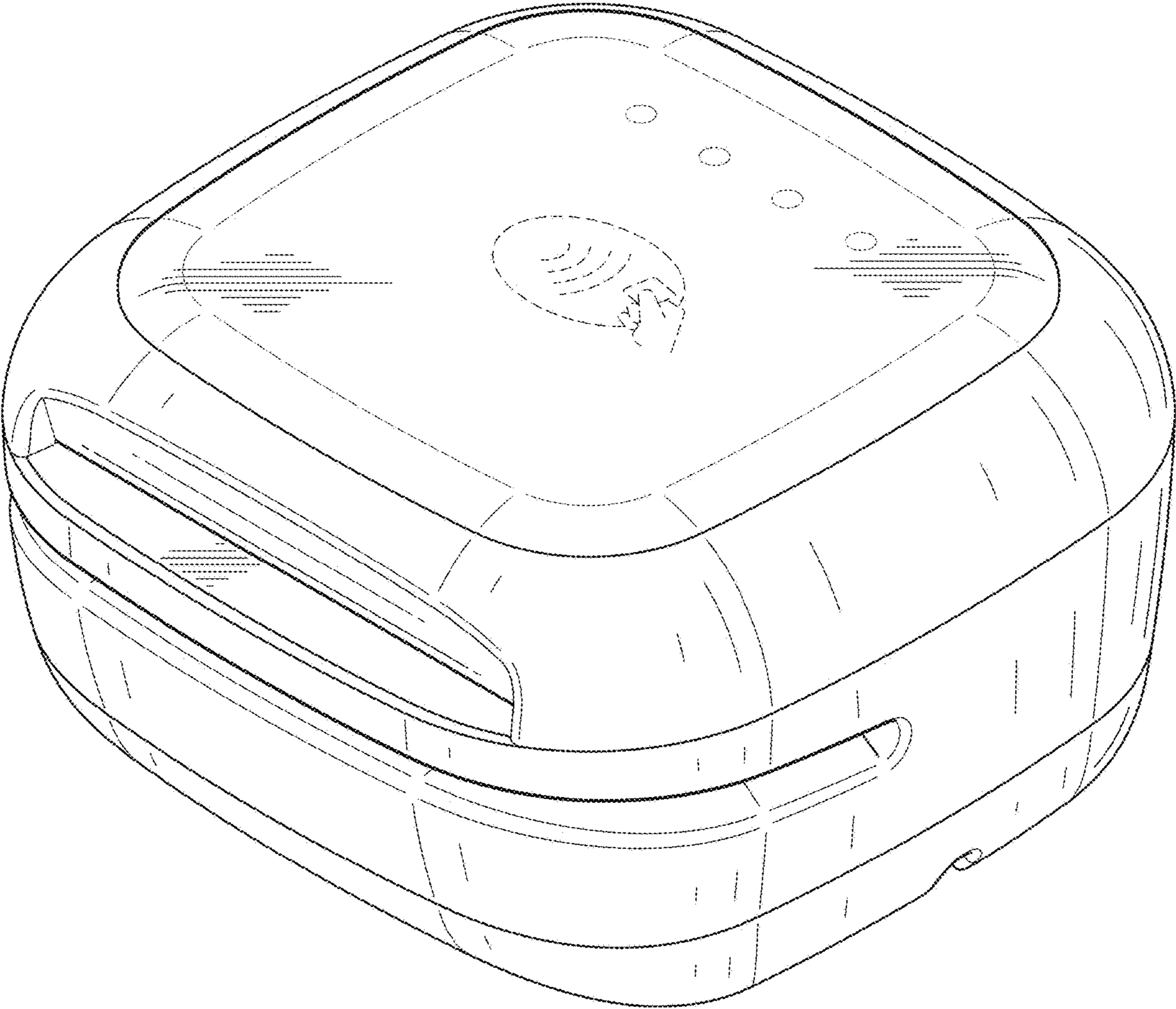


Fig. 1

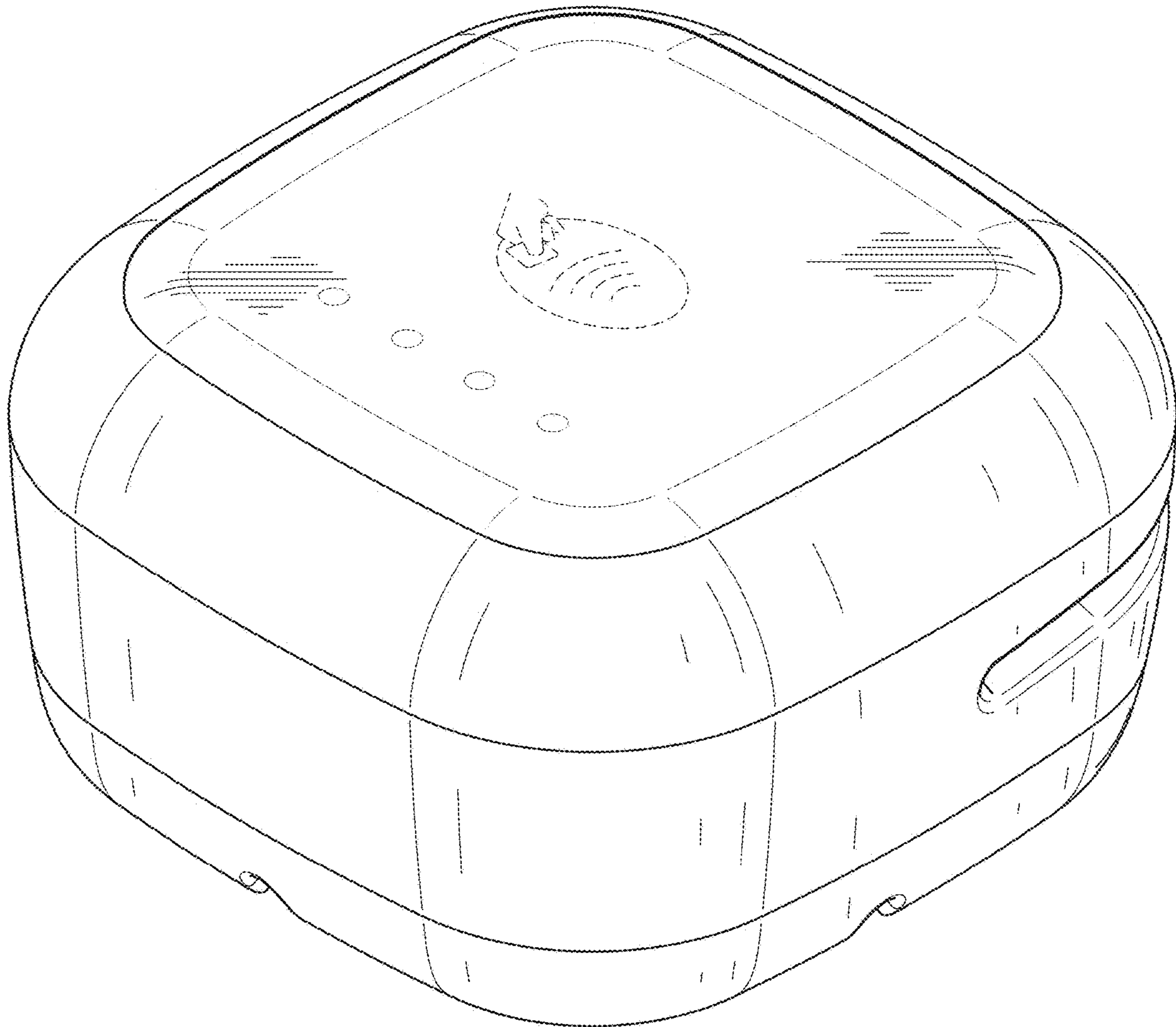


Fig. 2

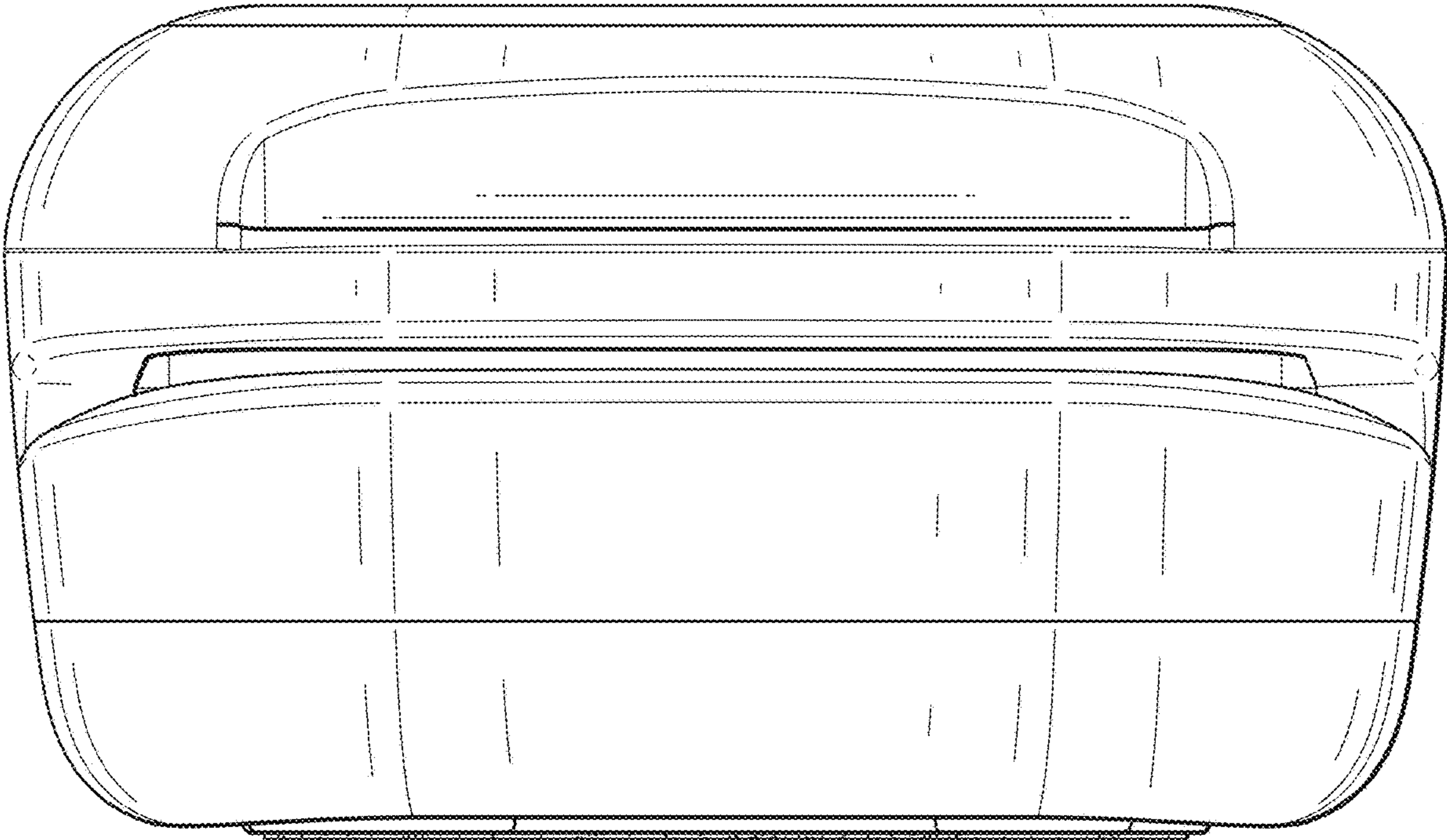


Fig. 3

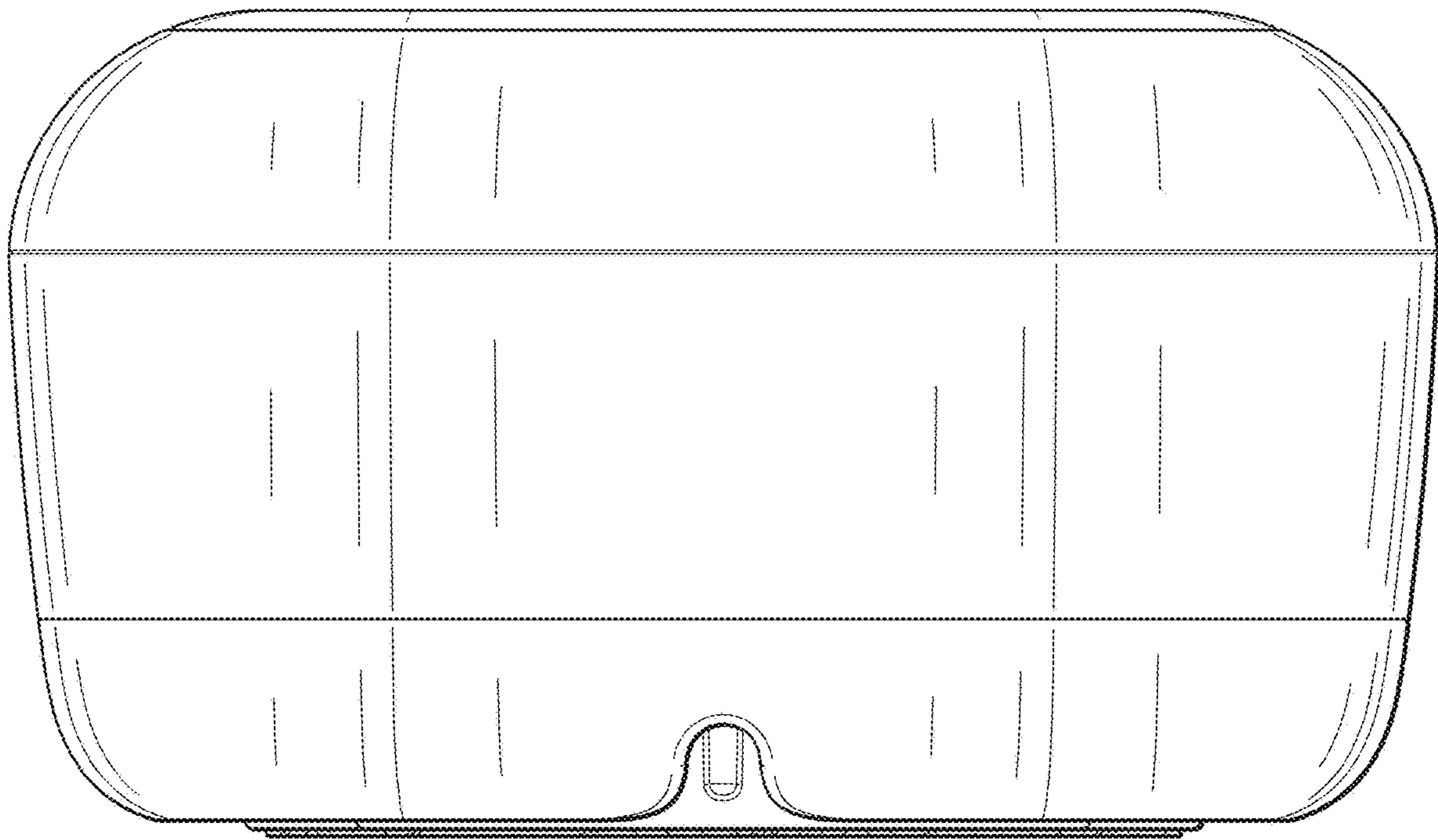


Fig. 4

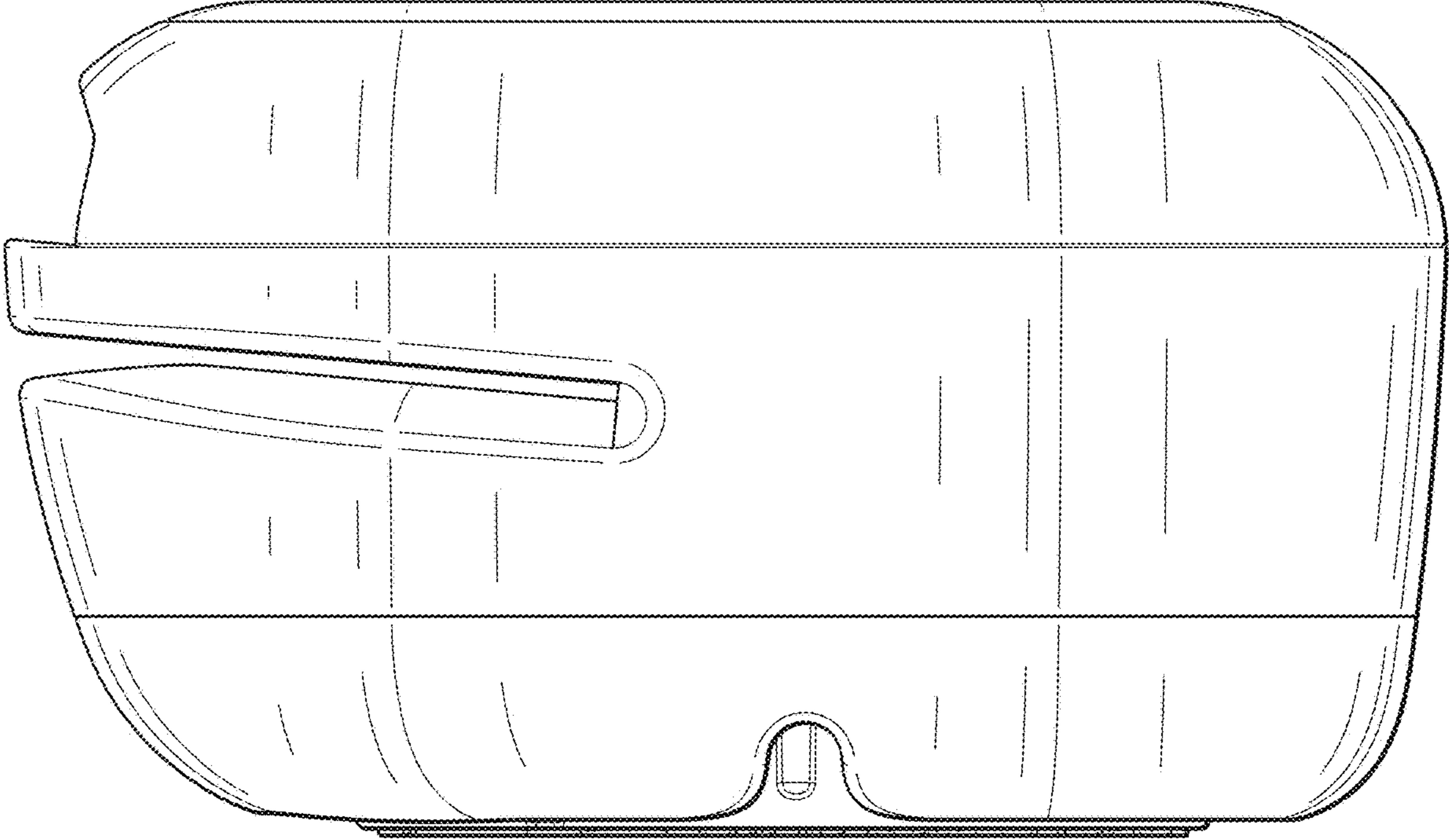


Fig. 5



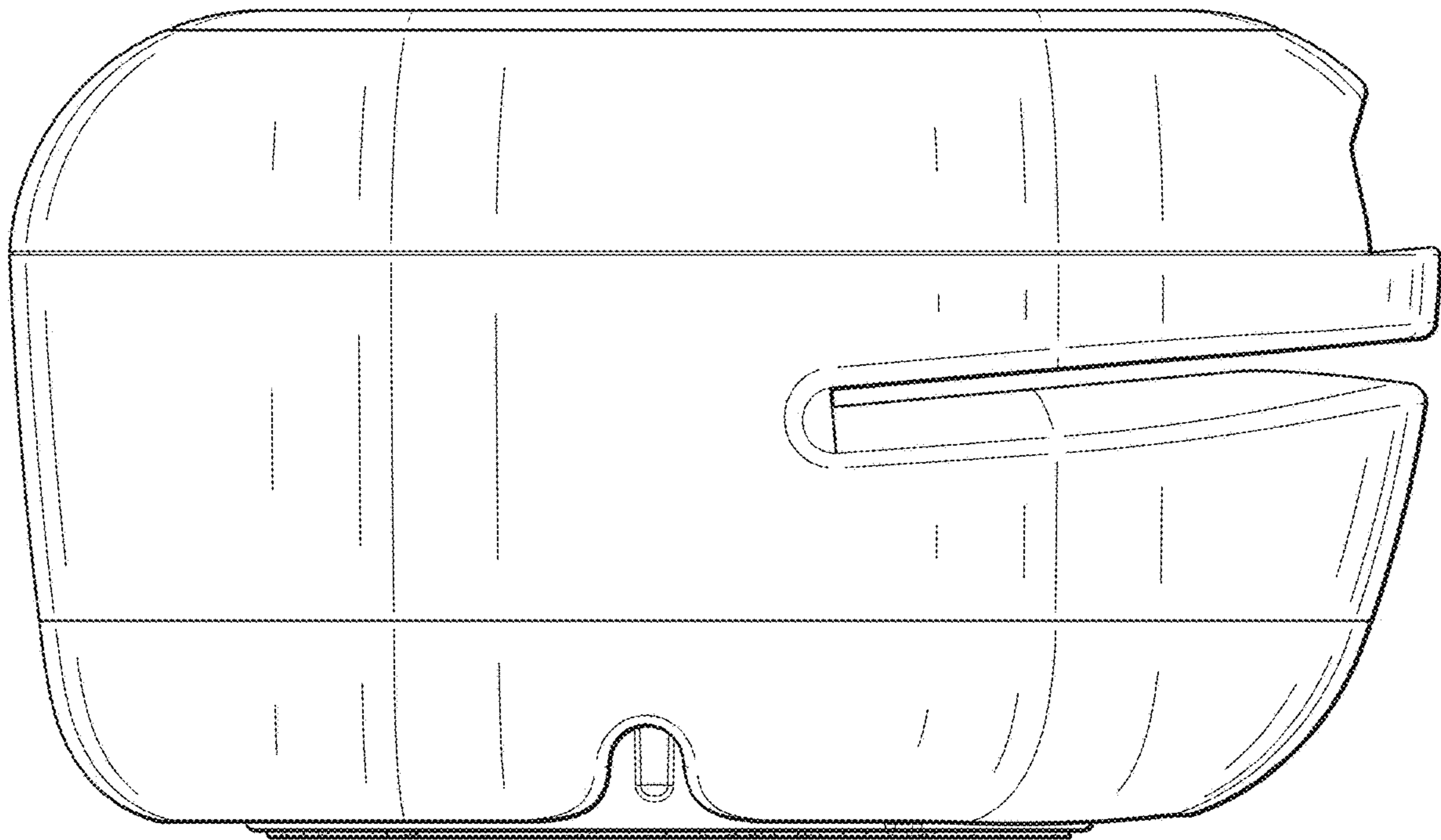


Fig. 6

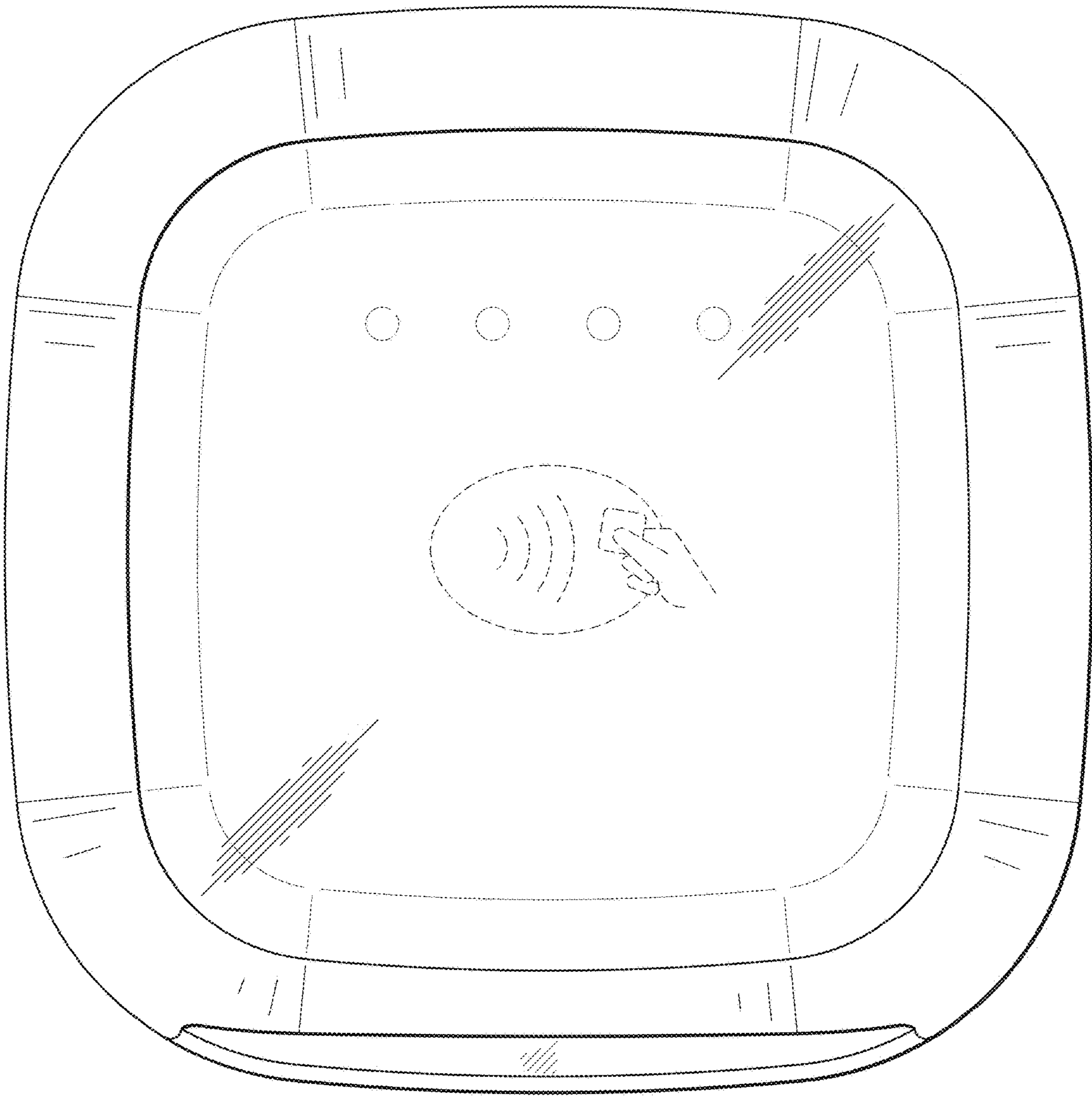


Fig. 7

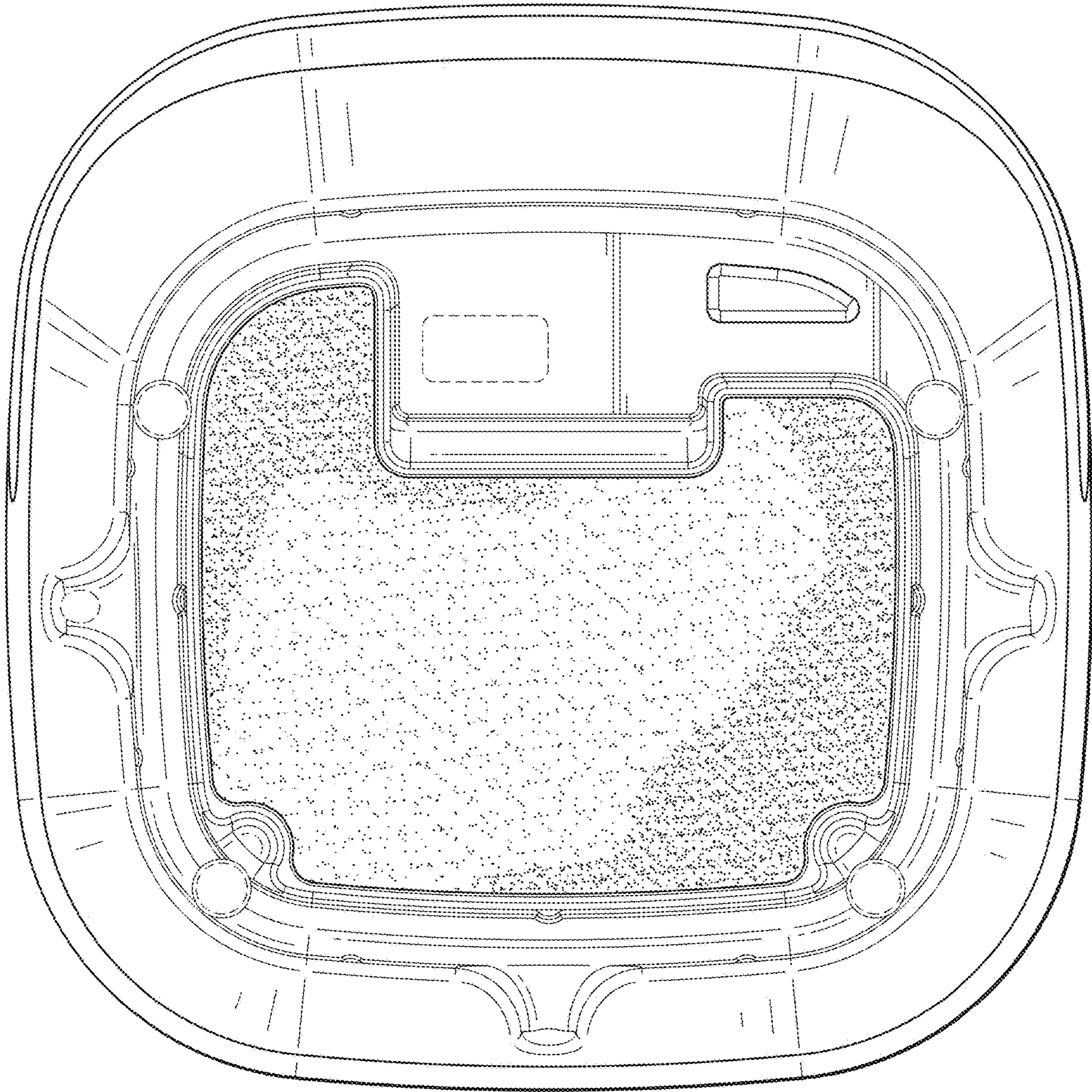


Fig. 8



Fig. 9

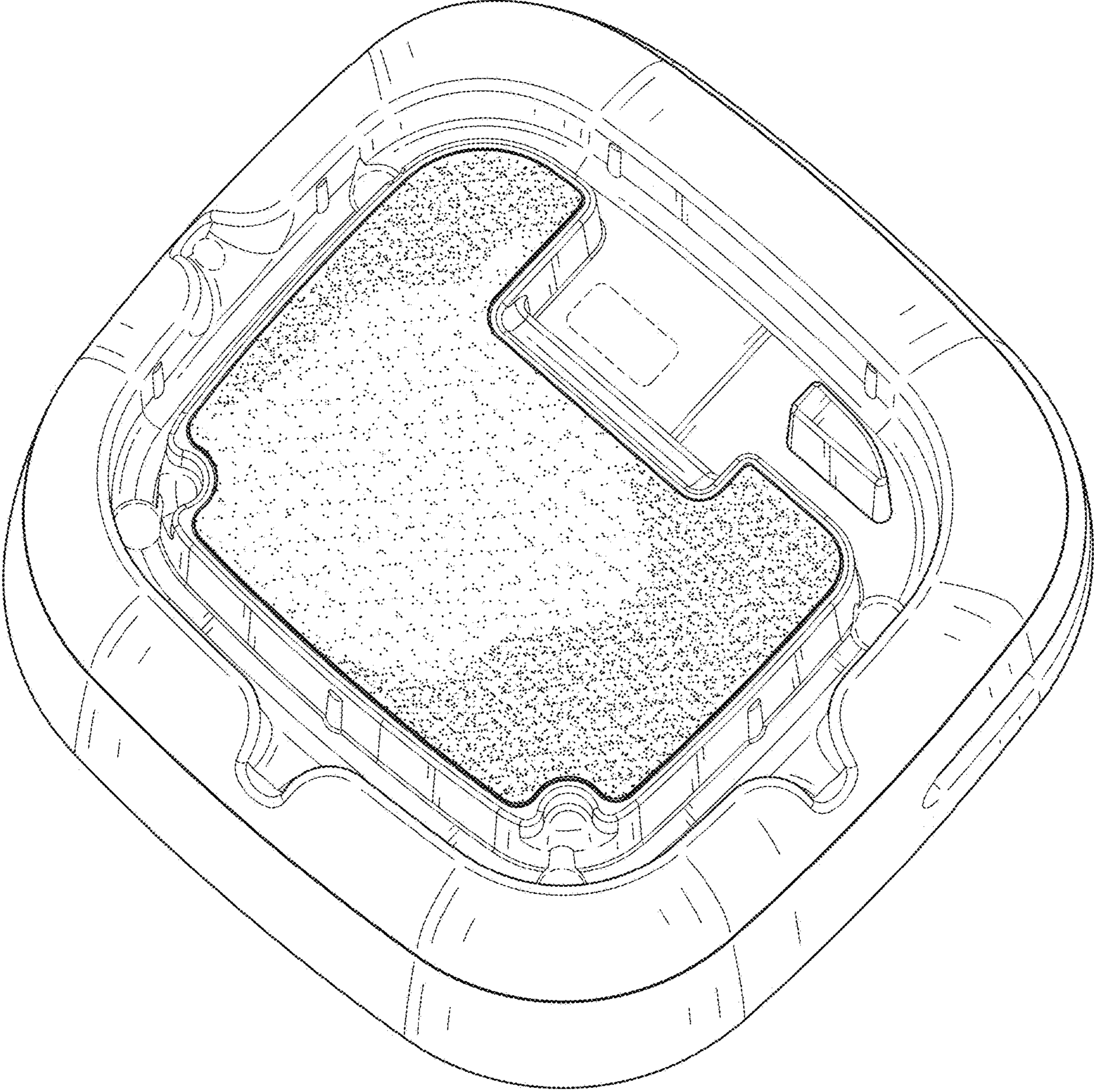


Fig. 10

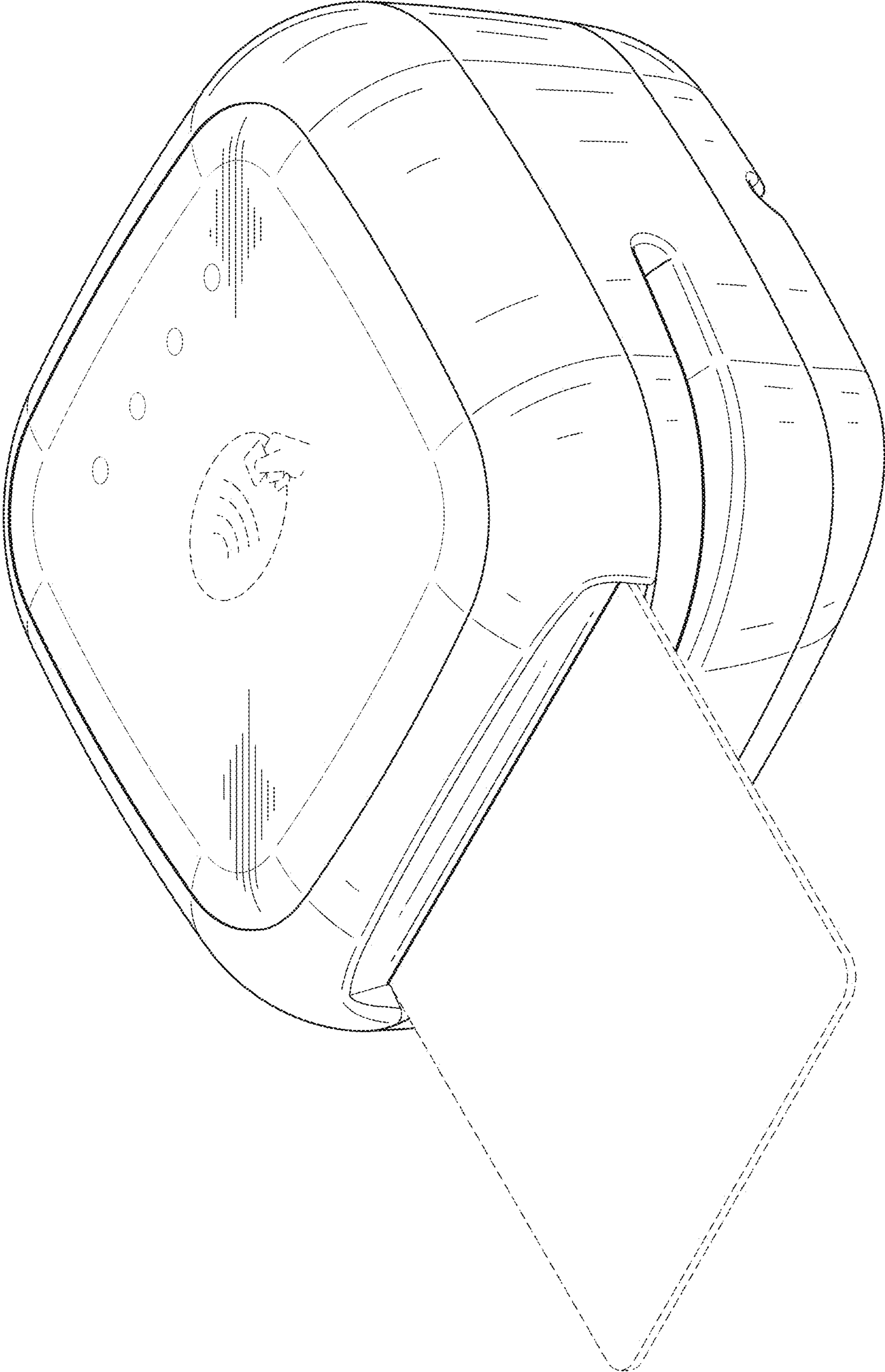


Fig. 11

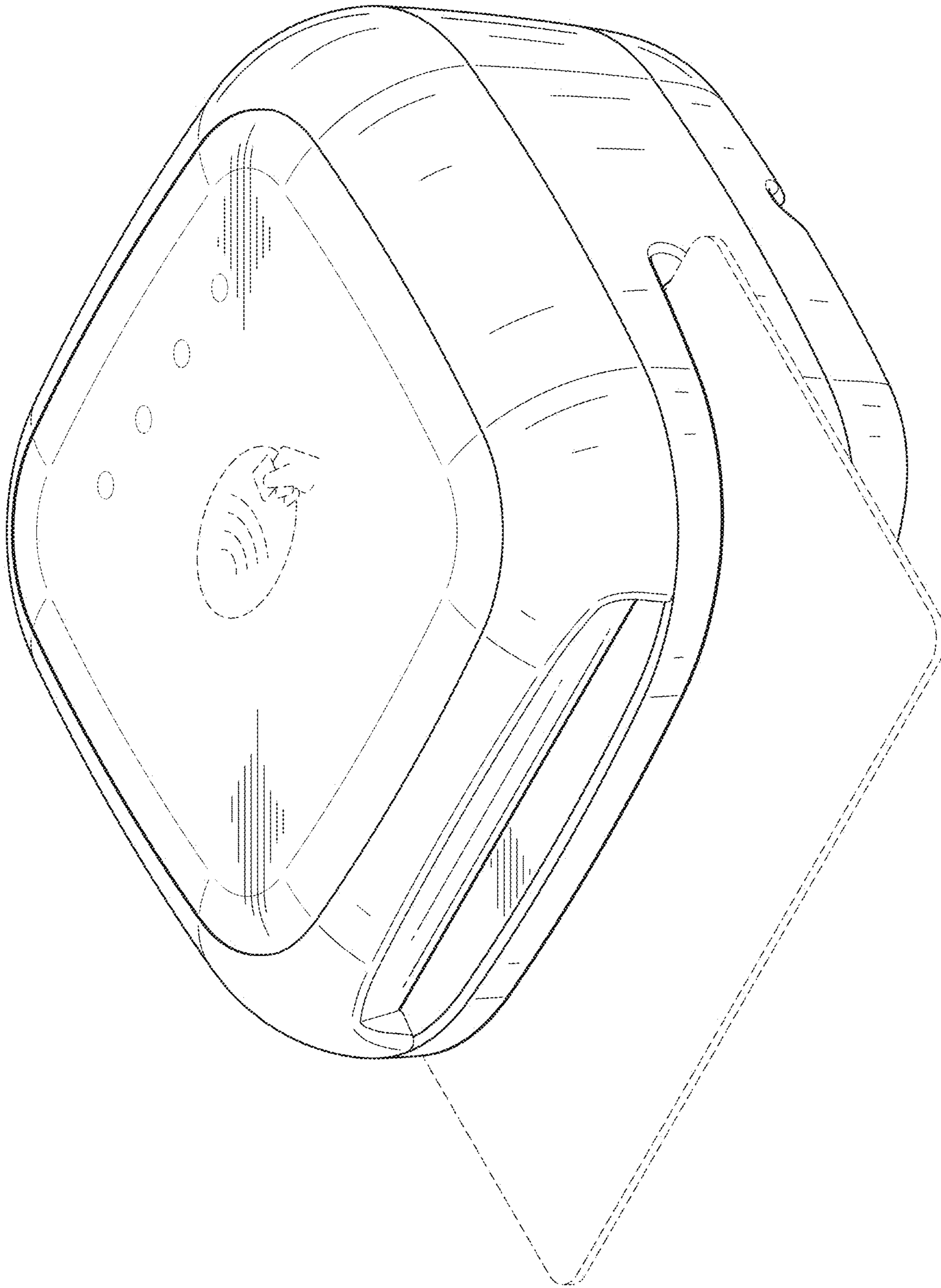


Fig. 12

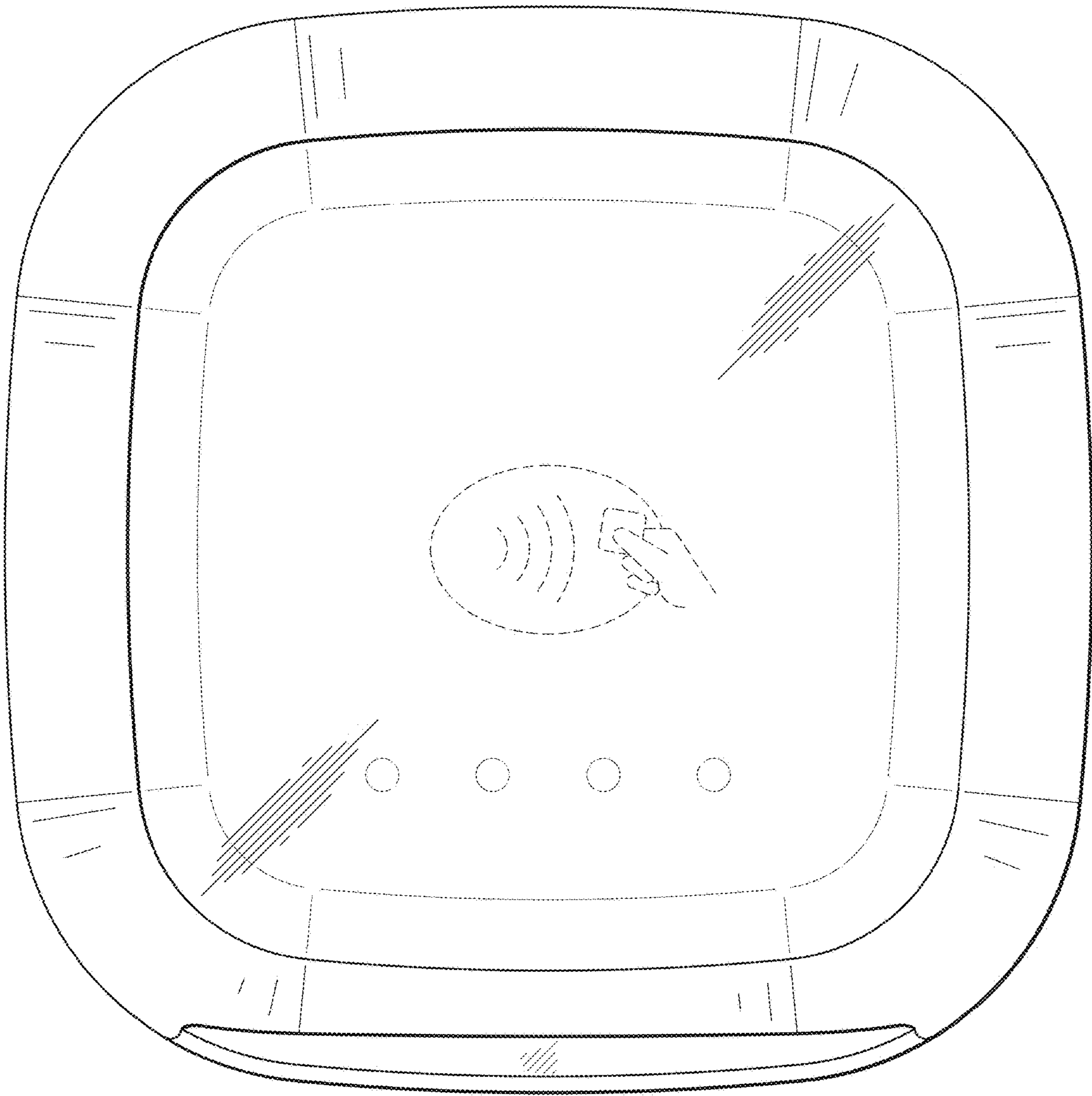


Fig. 13



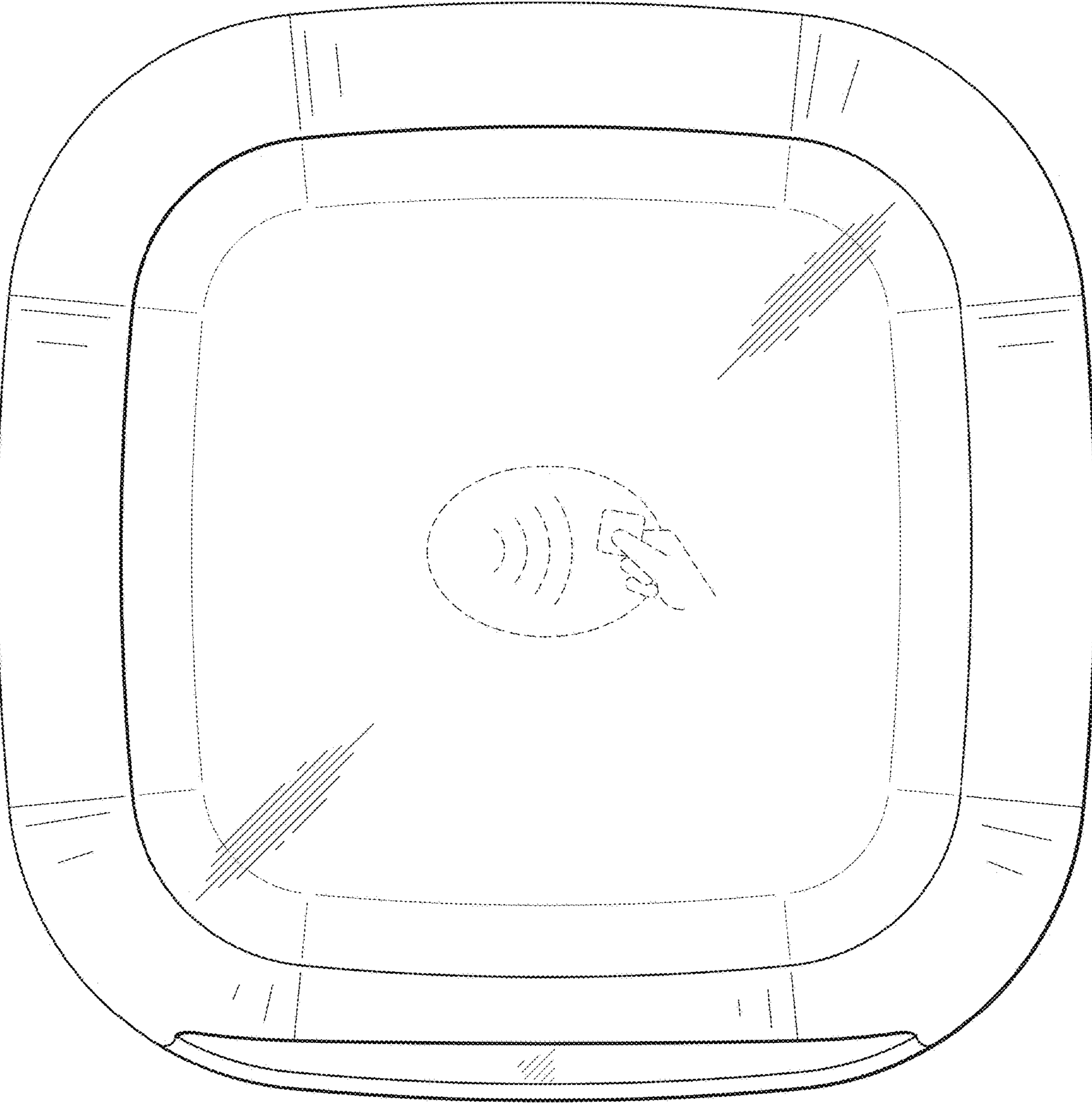


Fig. 14

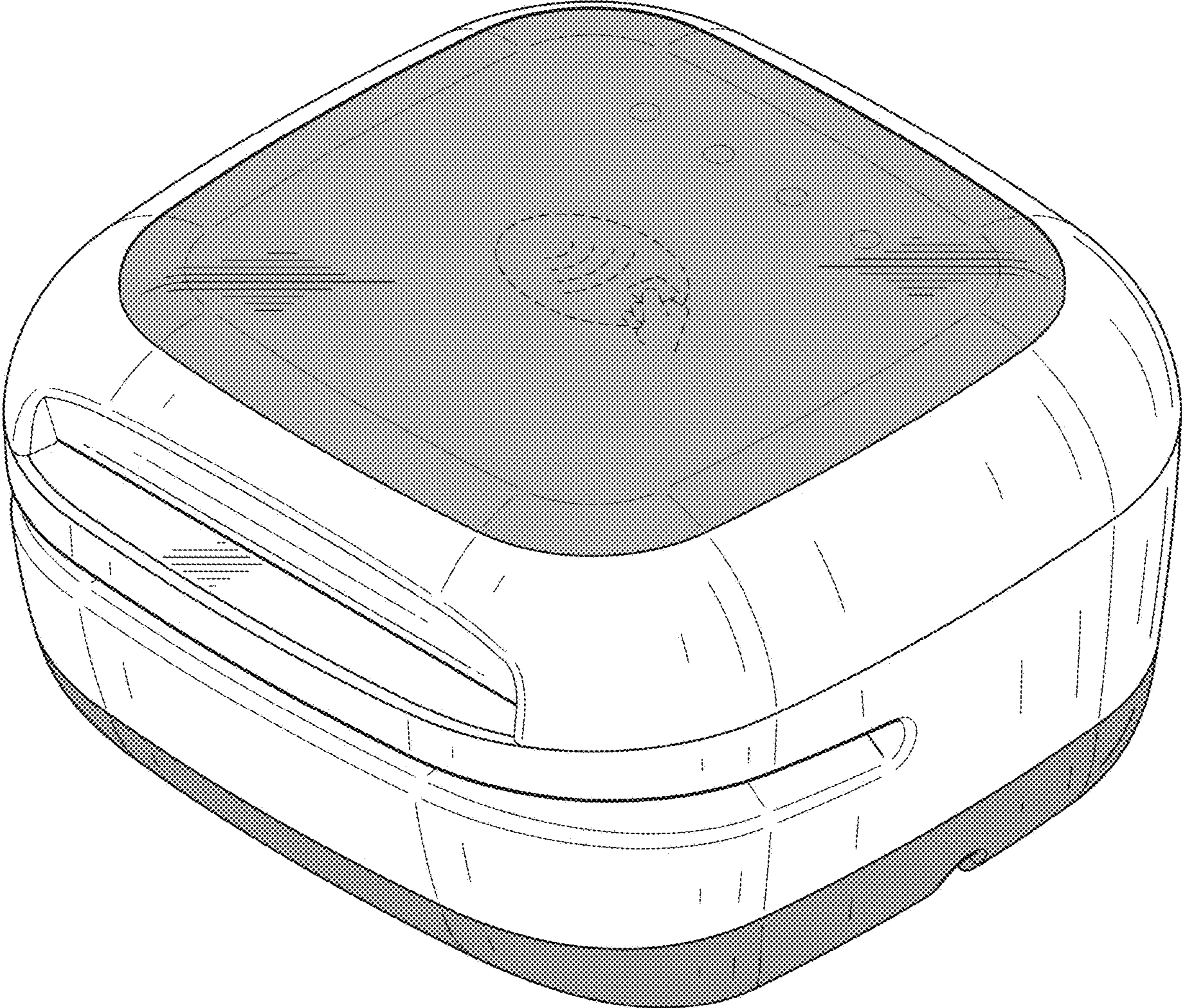


Fig. 15

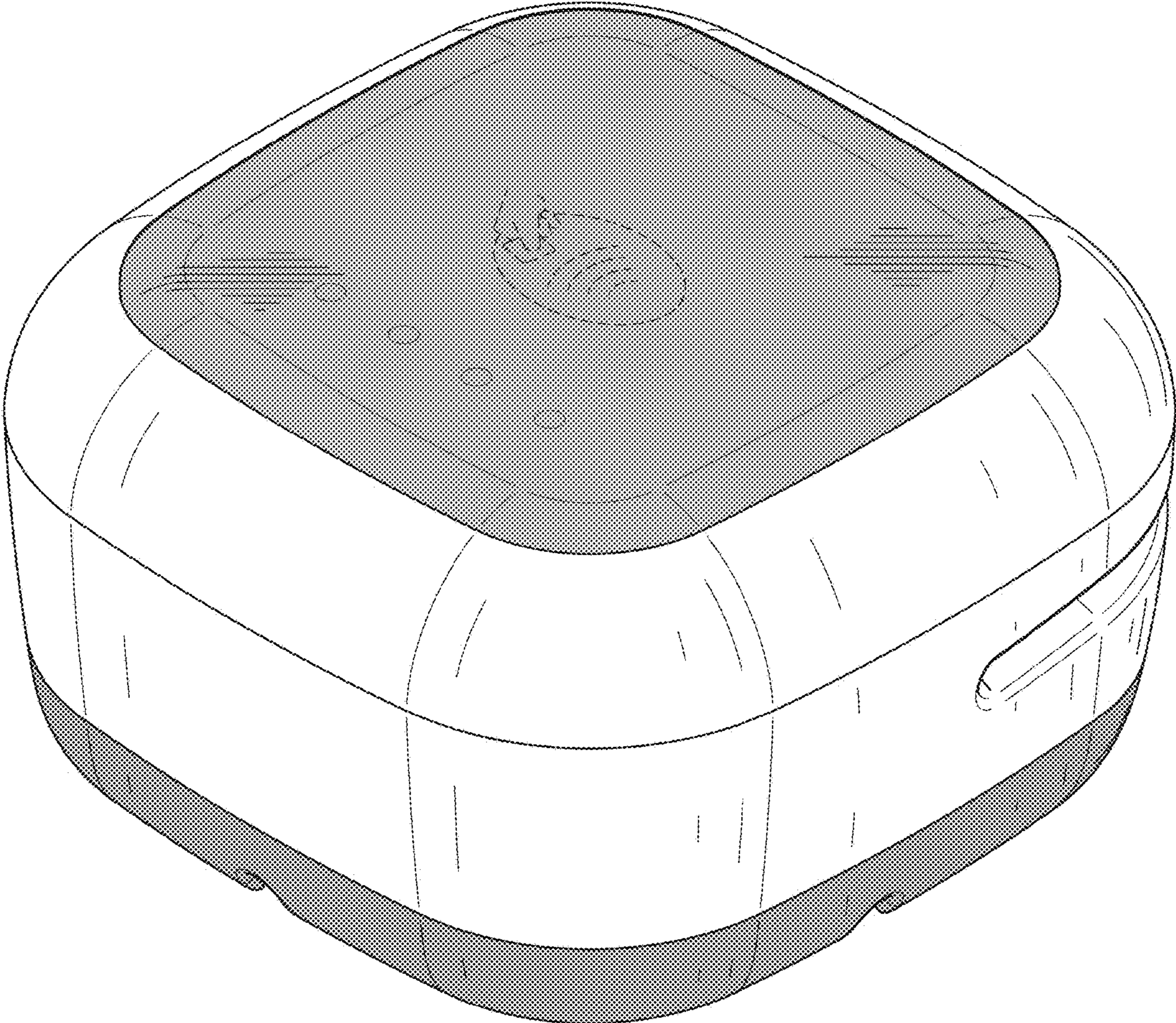


Fig. 16

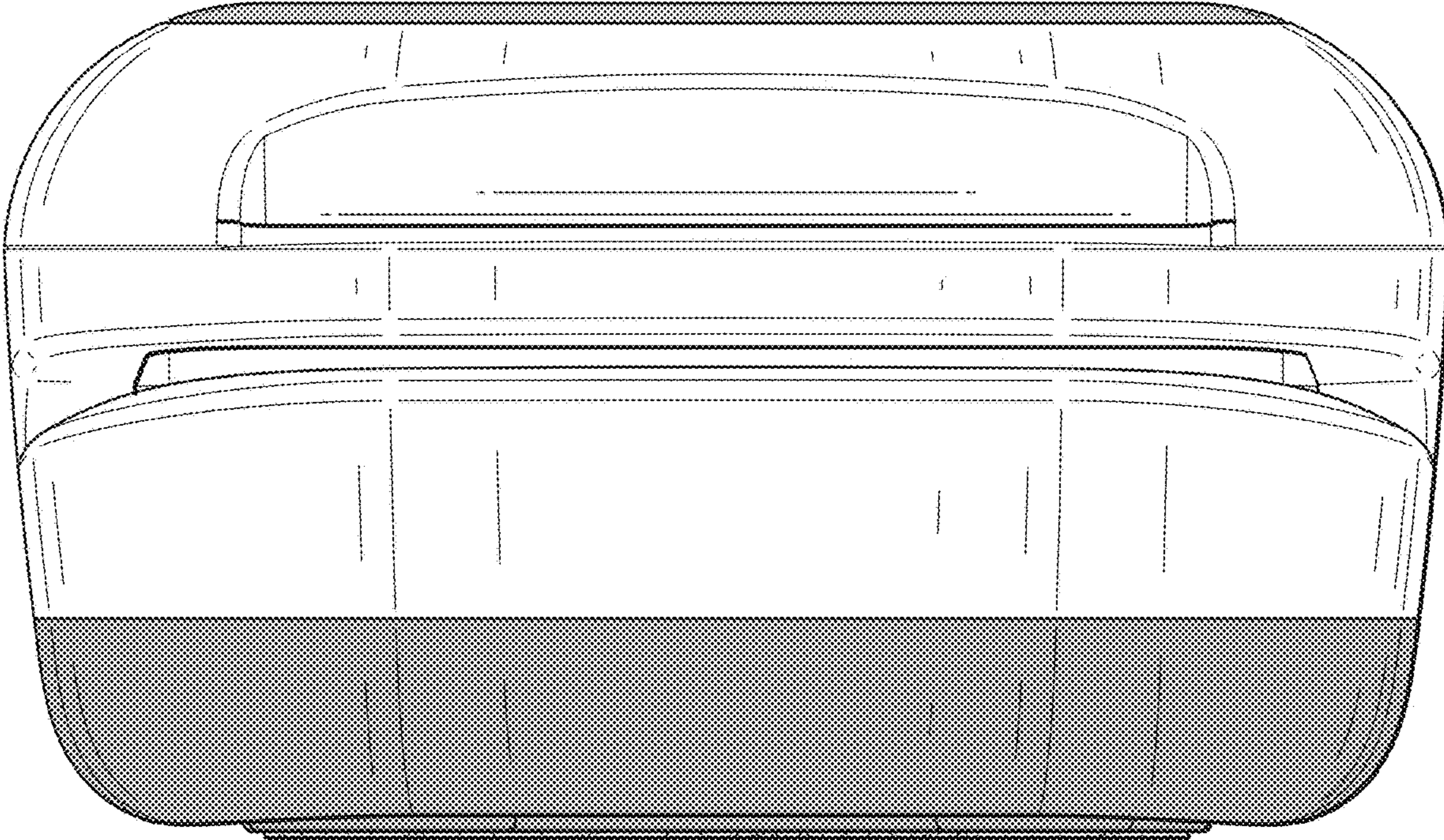


Fig. 17

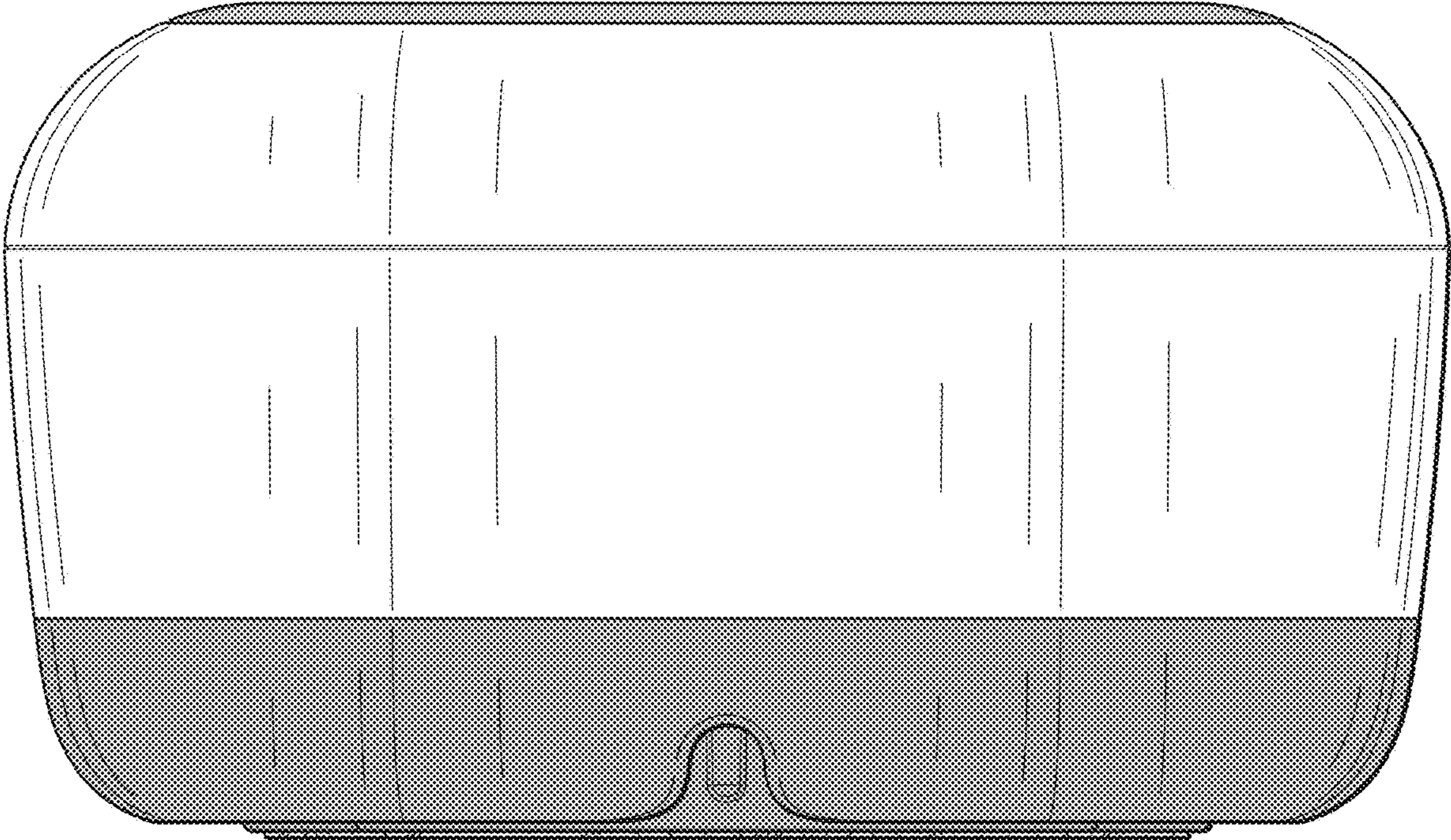


Fig. 18

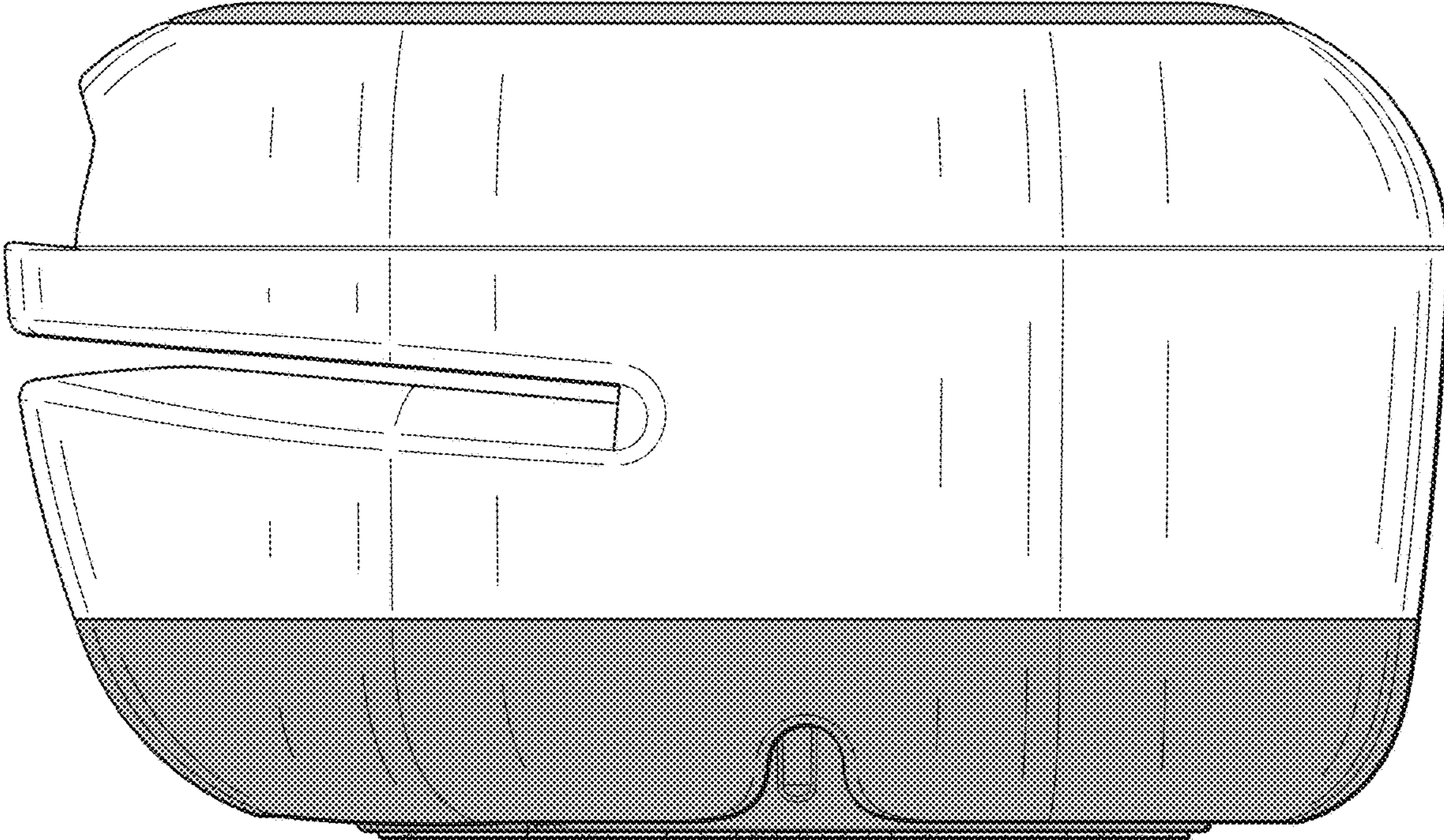


Fig. 19

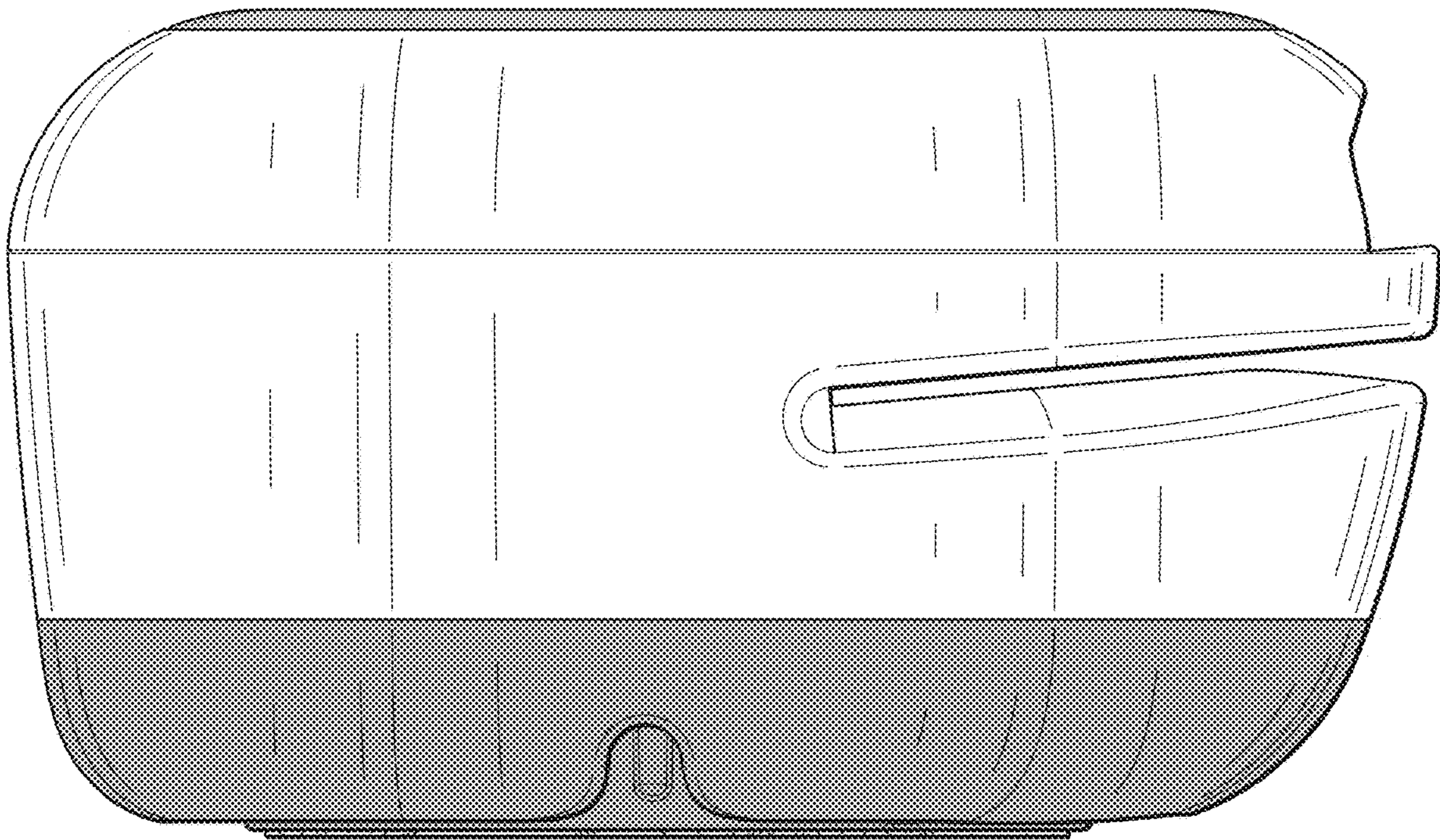


Fig. 20

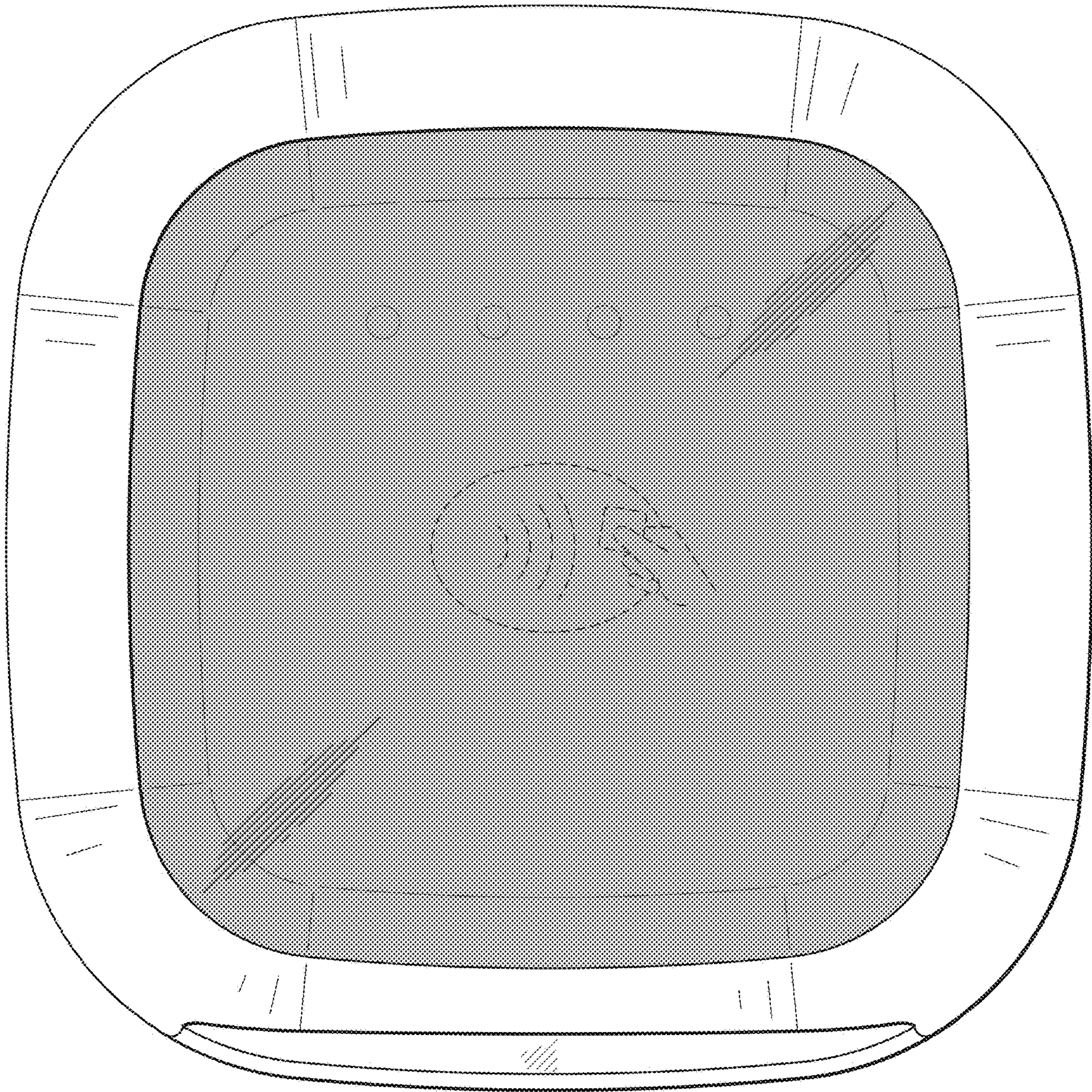


Fig. 21



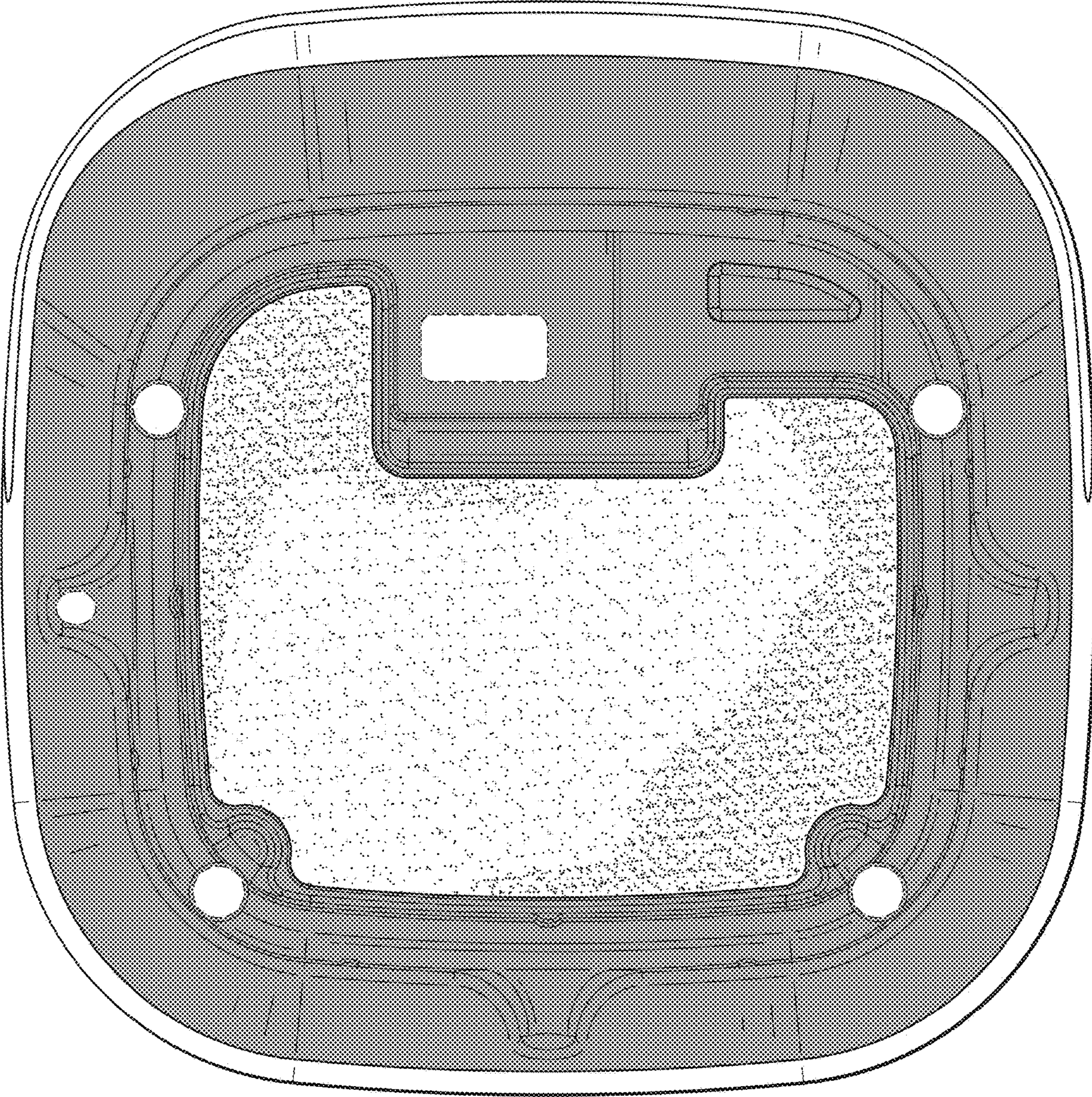


Fig. 22

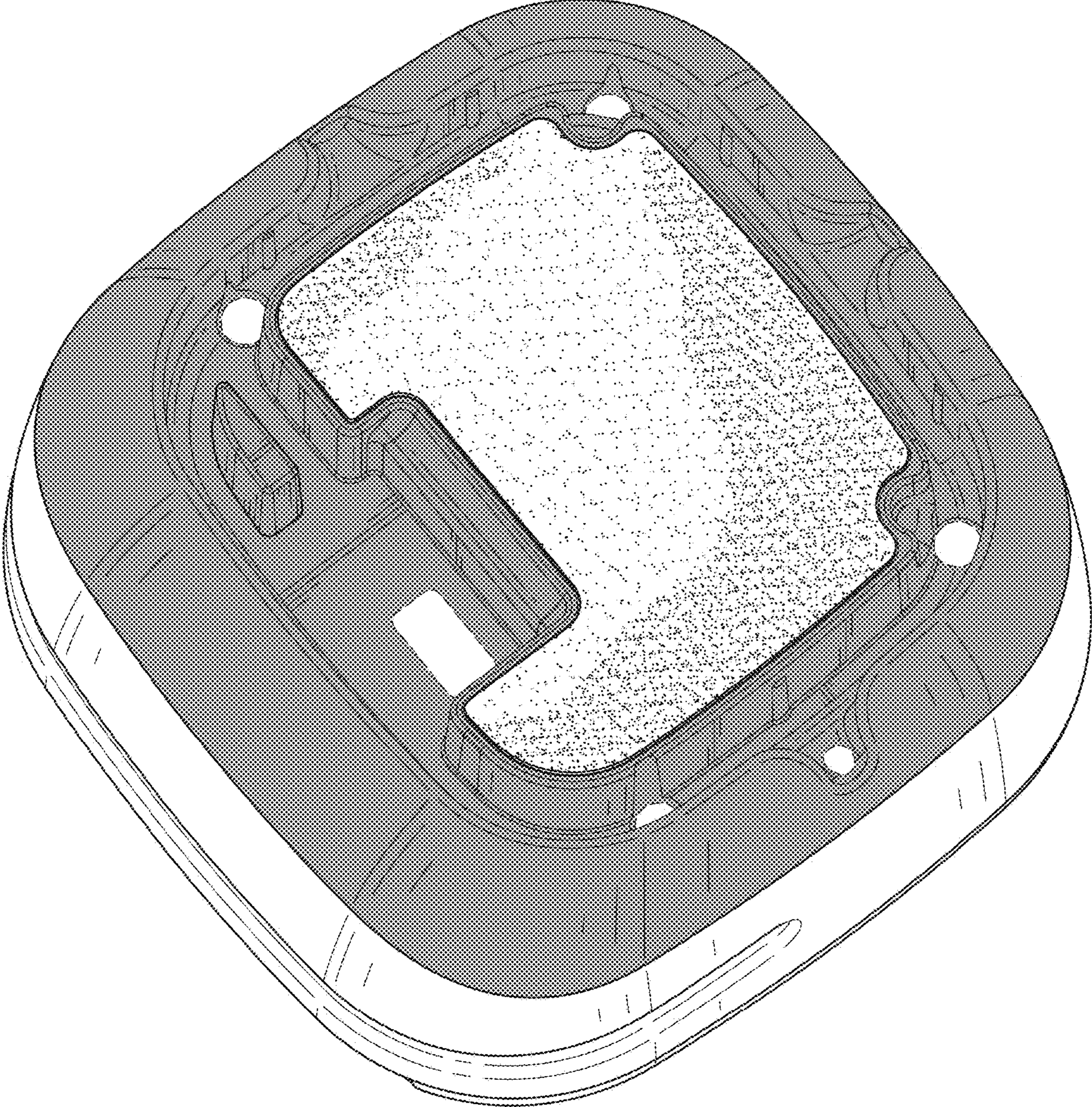


Fig. 23

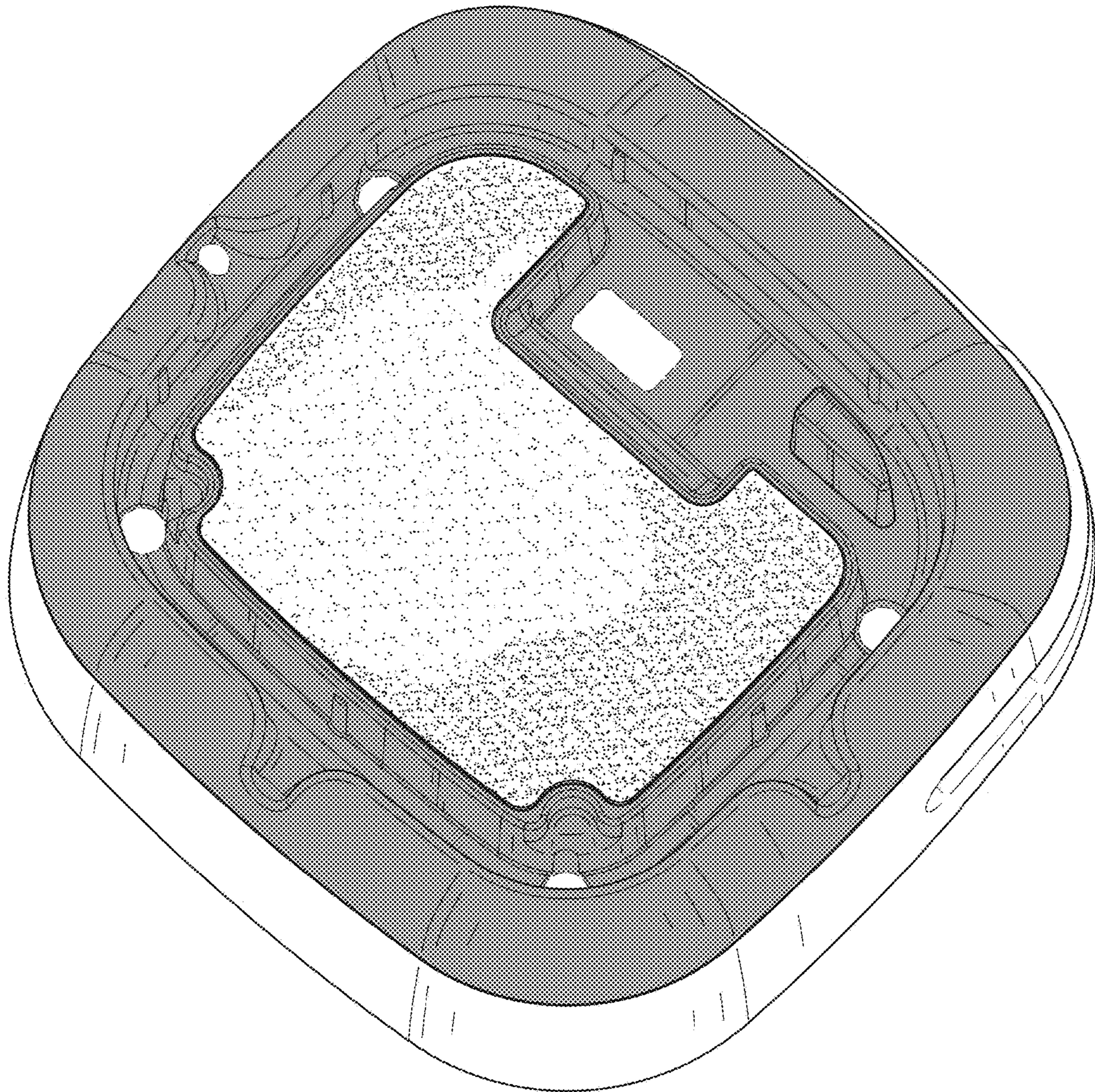


Fig. 24

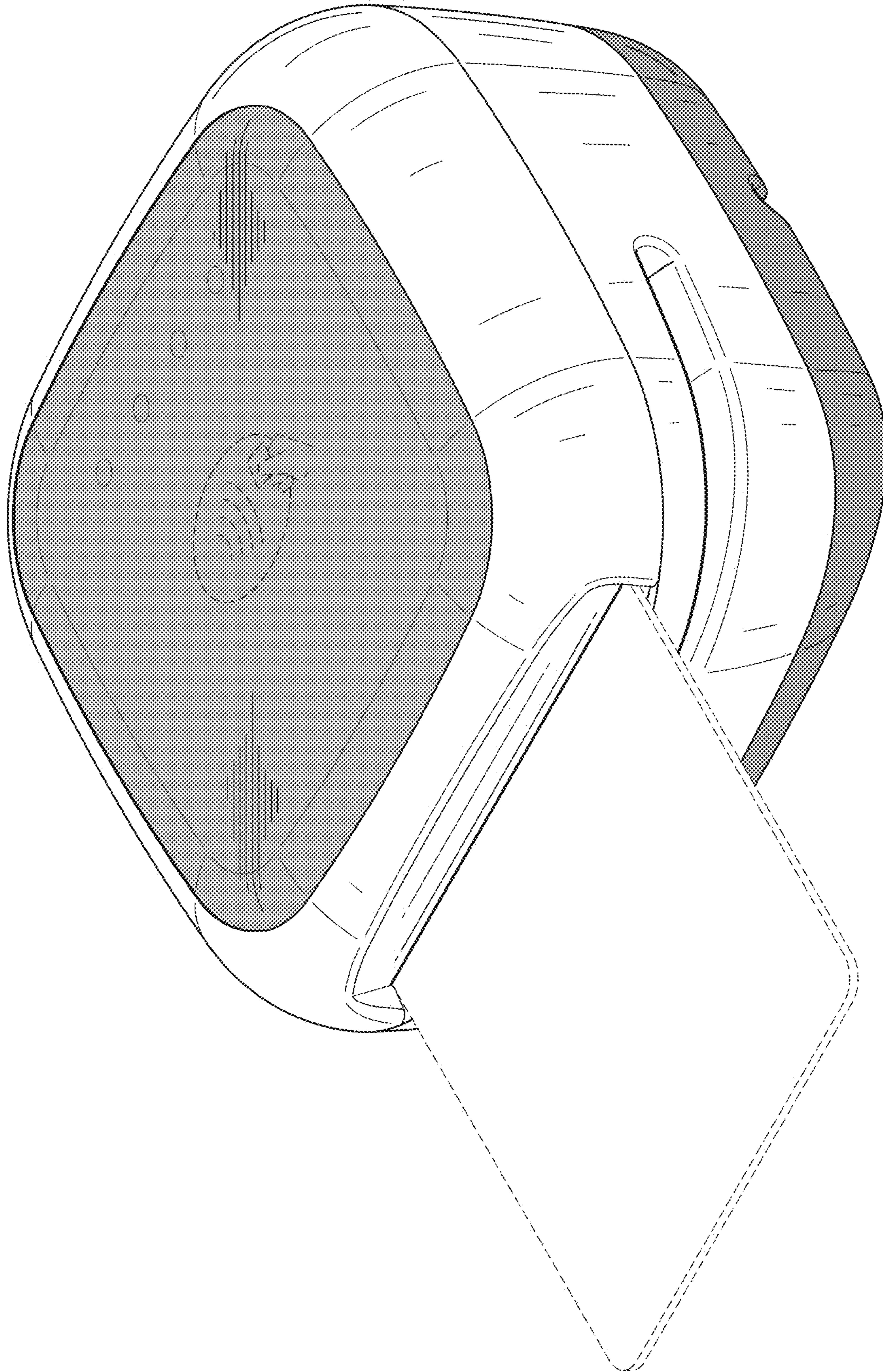


Fig. 25

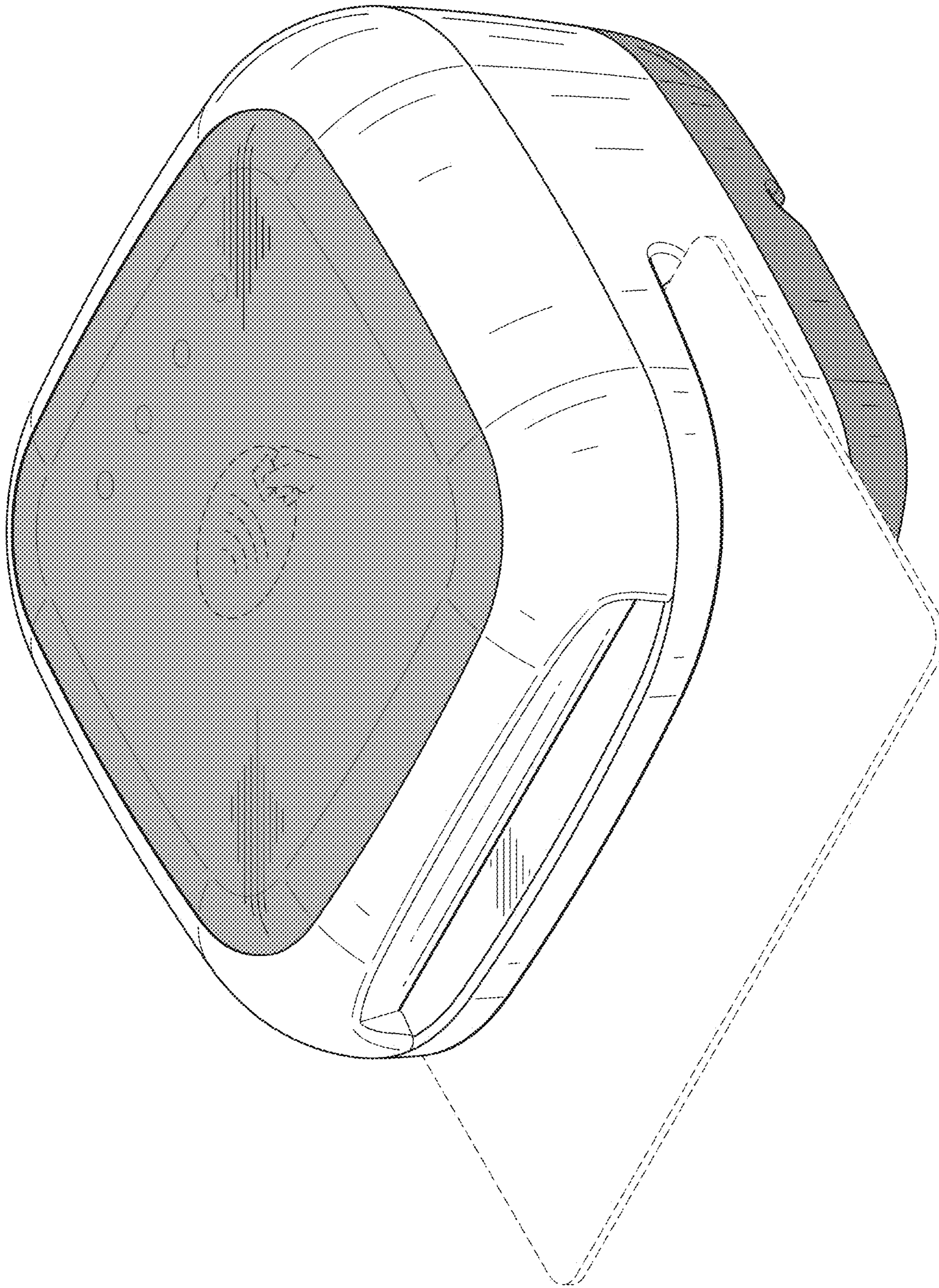


Fig. 26

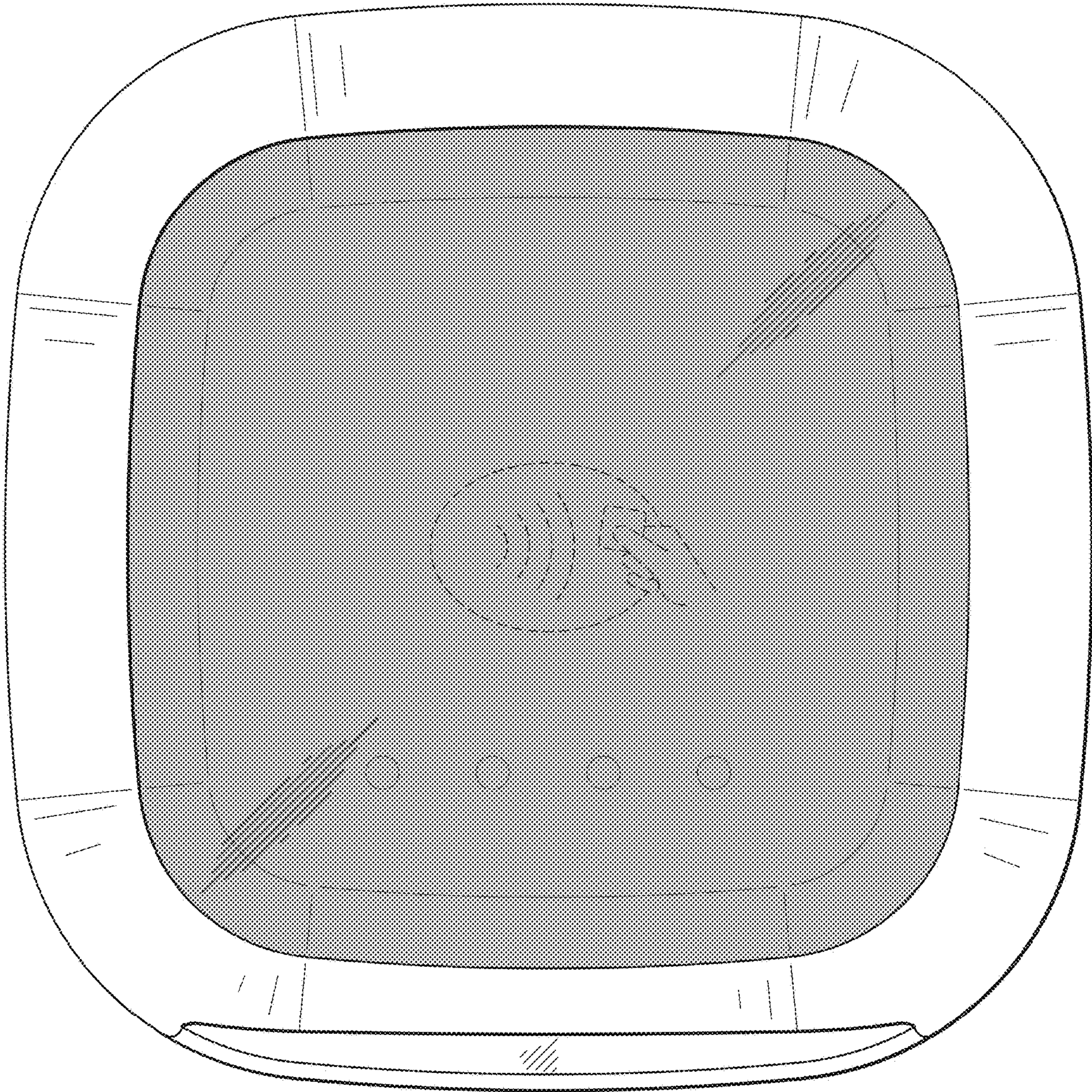


Fig. 27

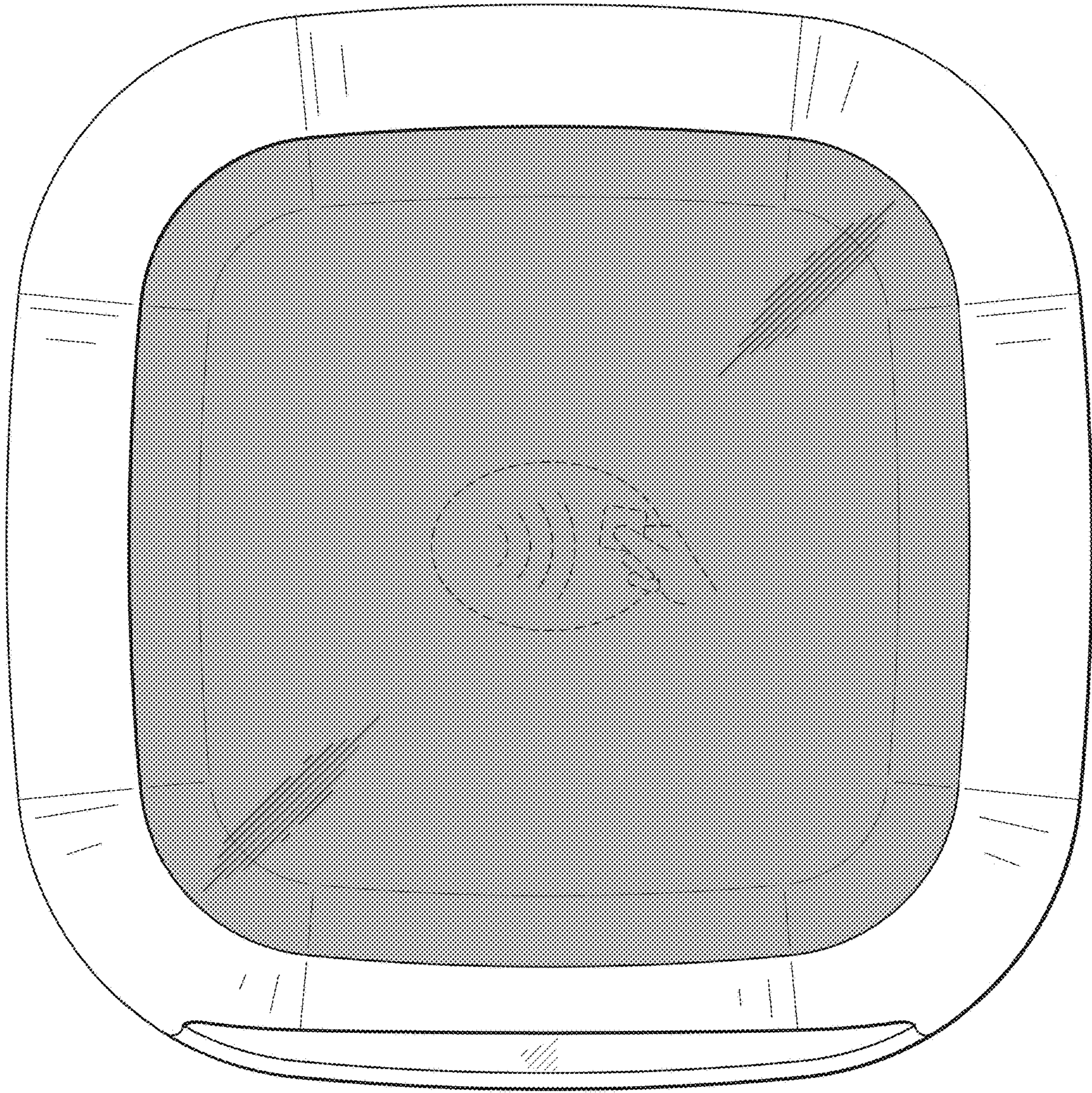


Fig. 28