



US00D979567S

(12) **United States Design Patent** (10) **Patent No.:** **US D979,567 S**  
**Morris et al.** (45) **Date of Patent:** **\*\* Feb. 28, 2023**

(54) **HEAD-MOUNTED DISPLAY**

(71) Applicant: **Meta Platforms Technologies, LLC**,  
Menlo Park, CA (US)

(72) Inventors: **Quintin Morris**, Seattle, WA (US);  
**Brett Delainey Christie**, Seattle, WA  
(US); **Mauricio Romano**, Redmond,  
WA (US); **Peter Wesley Bristol**,  
Seattle, WA (US); **Scott Andrew**  
**Dallmeyer**, Seattle, WA (US); **Chunli**  
**Chen**, Seattle, WA (US); **Shane**  
**Michael Ellis**, Elmvale (CA); **Enric**  
**Vial Roig**, Seattle, WA (US)

(73) Assignee: **Meta Platforms Technologies, LLC**,  
Menlo Park, CA (US)

(\*\*) Term: **15 Years**

(21) Appl. No.: **29/849,869**

(22) Filed: **Aug. 15, 2022**

**Related U.S. Application Data**

(63) Continuation of application No. 29/797,457, filed on  
Jun. 30, 2021, which is a continuation of application  
No. 29/754,559, filed on Oct. 12, 2020, now Pat. No.  
Des. 925,530, which is a continuation of application  
No. 29/723,785, filed on Feb. 10, 2020, now Pat. No.  
Des. 925,529.

(51) **LOC (14) Cl.** ..... **14-02**

(52) **U.S. Cl.**  
USPC ..... **D14/372**

(58) **Field of Classification Search**  
USPC ..... D14/372, 496, 432, 371, 125, 126, 129,  
D14/299; D16/300-342; 351/158, 153,  
351/144; 345/7-9, 905; 455/344;  
348/115, 53, 121, 739  
CPC ..... G02B 27/017; G02B 27/0158; G02B  
27/0161; G02B 27/0181; G02B 27/0185;  
G02B 27/0189

See application file for complete search history.

(56) **References Cited**

U.S. PATENT DOCUMENTS

3,892,792 A 7/1975 Yankee  
3,893,478 A 7/1975 Peters  
D398,403 S 9/1998 Bishop et al.  
(Continued)

FOREIGN PATENT DOCUMENTS

EP 2937005 B1 1/2018  
WO 2020021951 A1 1/2020

OTHER PUBLICATIONS

Barreiros J., et al., "Fabric Reinforced Soft Actuators," U.S. Appl.  
No. 17/111,549, filed Dec. 4, 2020, 71 pages.  
(Continued)

*Primary Examiner* — Austin Murphy

(74) *Attorney, Agent, or Firm* — Greenberg Traurig, LLP

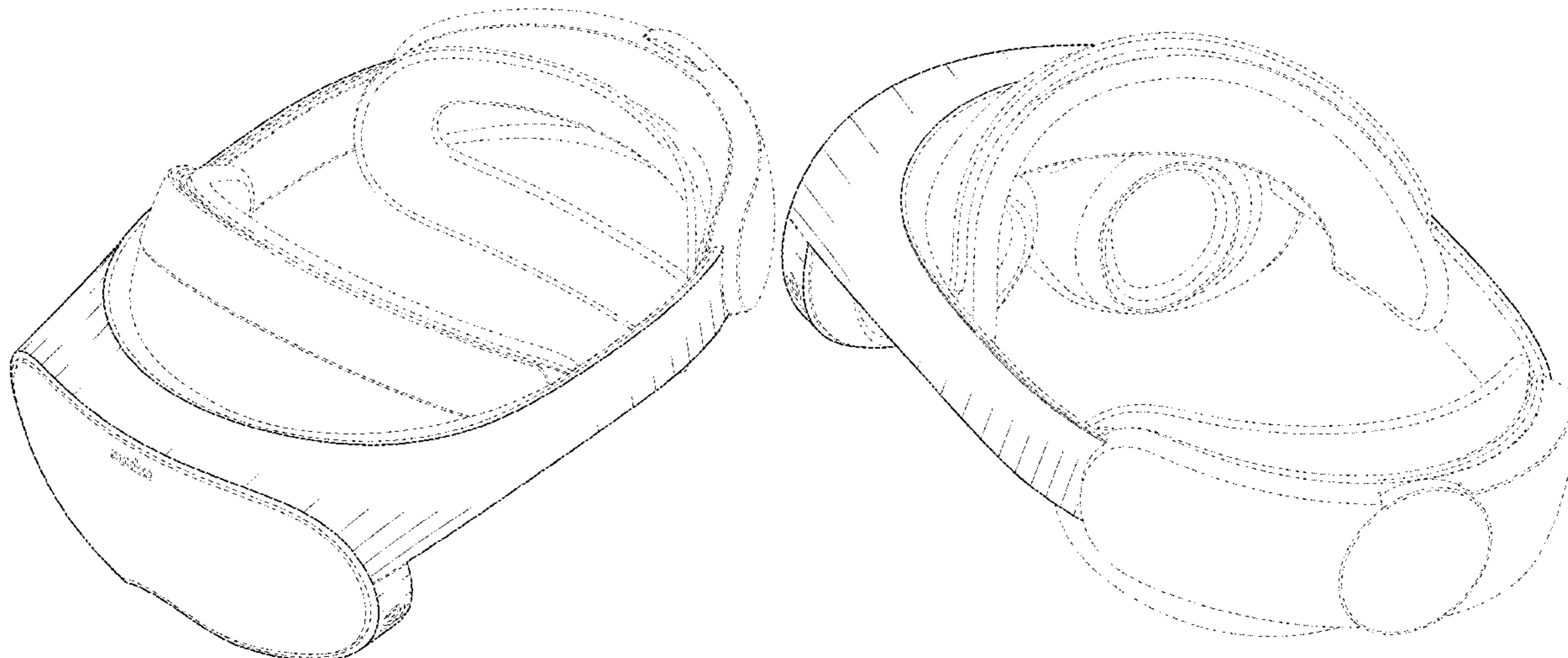
(57) **CLAIM**

The ornamental design for a head-mounted display, as  
shown and described.

**DESCRIPTION**

FIG. 1 is a front perspective view of a head-mounted display  
showing the claimed design;  
FIG. 2 is a rear perspective view thereof;  
FIG. 3 is a front view thereof;  
FIG. 4 is a rear view thereof;  
FIG. 5 is a top view thereof;  
FIG. 6 is a bottom view thereof;  
FIG. 7 is a left side view thereof; and,  
FIG. 8 is a right side view thereof.  
The broken lines shown in the figures illustrate portions of  
the head-mounted display that form no part of the claimed  
design.

**1 Claim, 6 Drawing Sheets**



(56)

References Cited

U.S. PATENT DOCUMENTS

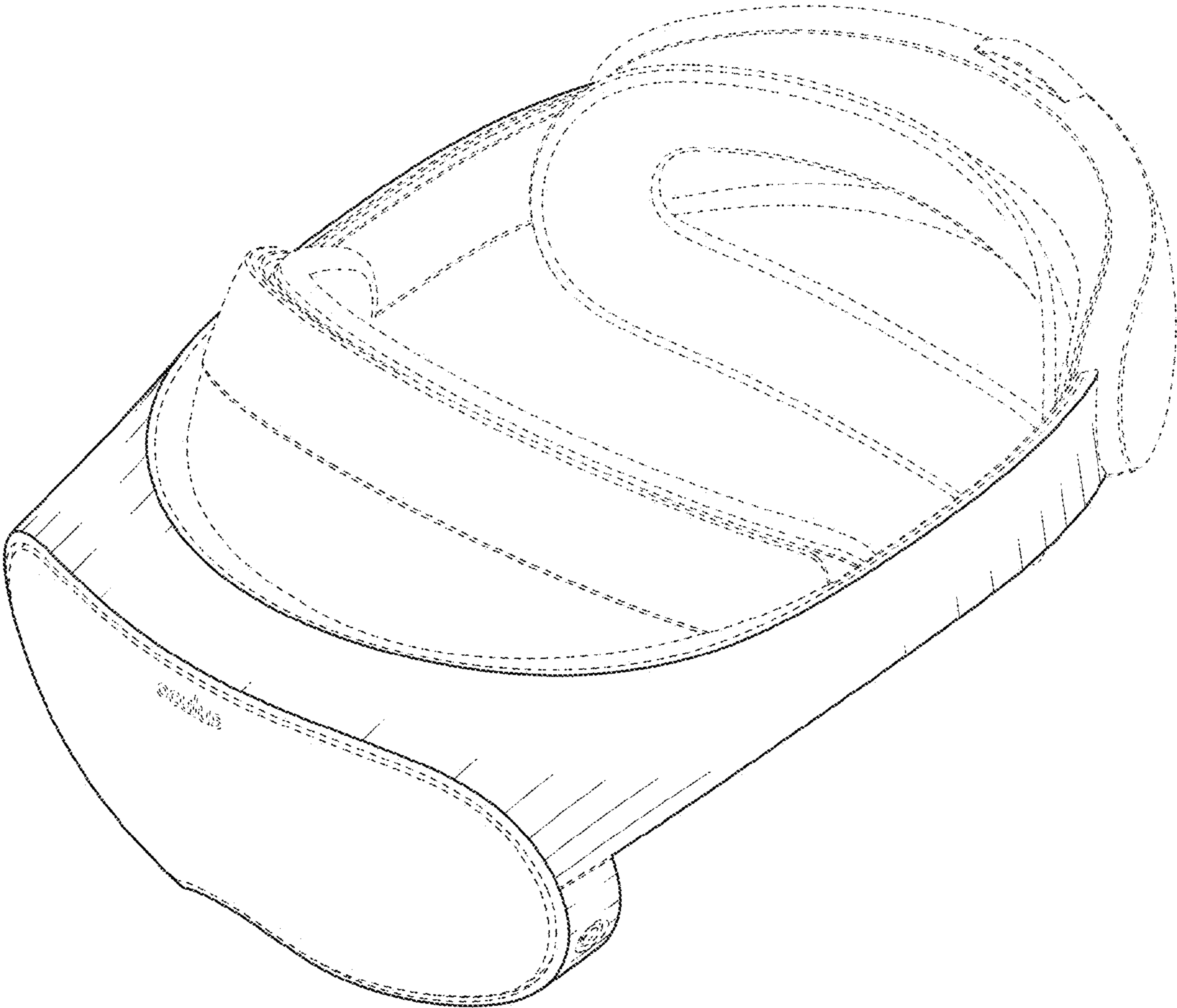
D669,471 S \* 10/2012 Hwang ..... D14/372  
 D719,953 S \* 12/2014 Nokuo ..... D14/372  
 9,385,396 B2 7/2016 Goh et al.  
 D764,467 S 8/2016 Nokuo  
 D778,909 S 2/2017 Nokuo  
 D780,753 S 3/2017 Park et al.  
 D798,862 S \* 10/2017 Wang ..... D14/372  
 D809,517 S 2/2018 Sakata et al.  
 D819,716 S 6/2018 Kim et al.  
 D823,855 S 7/2018 Robertson et al.  
 D827,642 S \* 9/2018 Liu ..... D14/372  
 D829,208 S 9/2018 Dallmeyer et al.  
 D834,016 S \* 11/2018 Raffle ..... D14/372  
 10,146,262 B1 12/2018 Magrath et al.  
 D838,719 S 1/2019 Wei et al.  
 10,297,868 B2 5/2019 Choi et al.  
 D857,694 S 8/2019 Natsume et al.  
 D859,407 S 9/2019 Natsume et al.  
 D860,992 S \* 9/2019 Bristol ..... D14/372  
 D861,680 S 10/2019 Chou et al.  
 D863,300 S 10/2019 Boger et al.  
 D865,764 S 11/2019 Miller et al.  
 D867,362 S 11/2019 Chou et al.  
 D869,464 S 12/2019 Chang et al.  
 D870,977 S 12/2019 Berggren et al.  
 D872,079 S 1/2020 Huang et al.  
 D875,093 S 2/2020 Park  
 D875,094 S 2/2020 Miller et al.  
 D881,189 S \* 4/2020 Moon ..... D14/372  
 D882,568 S \* 4/2020 Park ..... D14/372  
 D882,569 S \* 4/2020 Tsao ..... D14/372  
 D883,280 S 5/2020 Shao et al.  
 D885,383 S 5/2020 Chang et al.  
 10,663,737 B1 5/2020 Magrath et al.  
 D889,464 S 7/2020 Wang et al.  
 D892,792 S 8/2020 Miller et al.  
 D893,478 S 8/2020 Watanabe et al.  
 D896,221 S 9/2020 Lee et al.  
 D898,025 S 10/2020 Bhat et al.  
 D898,738 S 10/2020 Denhez et al.  
 D900,095 S 10/2020 Wang et al.  
 D900,099 S 10/2020 Park  
 D900,435 S 11/2020 Huang et al.  
 D904,402 S 12/2020 Marquis et al.  
 D905,055 S 12/2020 Shao et al.  
 D910,014 S 2/2021 Amijo et al.  
 D910,015 S 2/2021 Amijo et al.  
 D910,018 S 2/2021 Amijo et al.  
 D912,048 S 3/2021 Wei et al.  
 D916,086 S \* 4/2021 Zhang ..... D14/372  
 D916,702 S 4/2021 Newsom et al.  
 D917,476 S 4/2021 Zhang et al.  
 D918,203 S \* 5/2021 Chen ..... D14/372  
 D918,864 S 5/2021 Bulte et al.  
 D918,904 S 5/2021 Jackson et al.  
 D920,974 S 6/2021 Chi  
 11,029,729 B1 \* 6/2021 Bristol ..... G06F 1/163  
 D924,234 S 7/2021 Meng

D925,528 S 7/2021 Bristol et al.  
 D925,529 S \* 7/2021 Morris ..... D14/372  
 D925,530 S \* 7/2021 Morris ..... D14/372  
 D926,757 S 8/2021 Wang  
 D927,785 S 8/2021 Wu  
 D928,151 S 8/2021 Hu  
 D929,401 S 8/2021 Chiang et al.  
 D929,402 S 8/2021 Jiang  
 D930,648 S \* 9/2021 Hosoda ..... D14/372  
 D931,277 S 9/2021 Denhez et al.  
 D931,278 S 9/2021 Pombo et al.  
 D932,488 S 10/2021 Huang  
 D937,262 S 11/2021 Chi  
 D939,017 S 12/2021 Liang  
 D943,574 S \* 2/2022 Lin ..... D14/372  
 D943,575 S 2/2022 Conlee, IV et al.  
 D951,961 S 5/2022 Natsume et al.  
 D953,328 S 5/2022 Forsland  
 D955,386 S 6/2022 Conlee, IV et al.  
 D956,747 S 7/2022 Huang  
 D957,390 S 7/2022 Fang  
 D957,391 S 7/2022 Roig et al.  
 D957,392 S 7/2022 Roig et al.  
 D959,427 S 8/2022 Zhu  
 D964,988 S \* 9/2022 Morris ..... D14/372  
 2012/0297520 A1 11/2012 Gleason et al.  
 2017/0238643 A1 8/2017 Pereira et al.  
 2018/0042330 A1 2/2018 Wu  
 2018/0196268 A1 \* 7/2018 Westra ..... G02B 27/0176  
 2018/0335632 A1 11/2018 Cho et al.  
 2019/0204606 A1 \* 7/2019 Yang ..... H04R 5/0335  
 2019/0339736 A1 11/2019 Chang et al.  
 2020/0310488 A1 \* 10/2020 Lin ..... G02B 27/0176

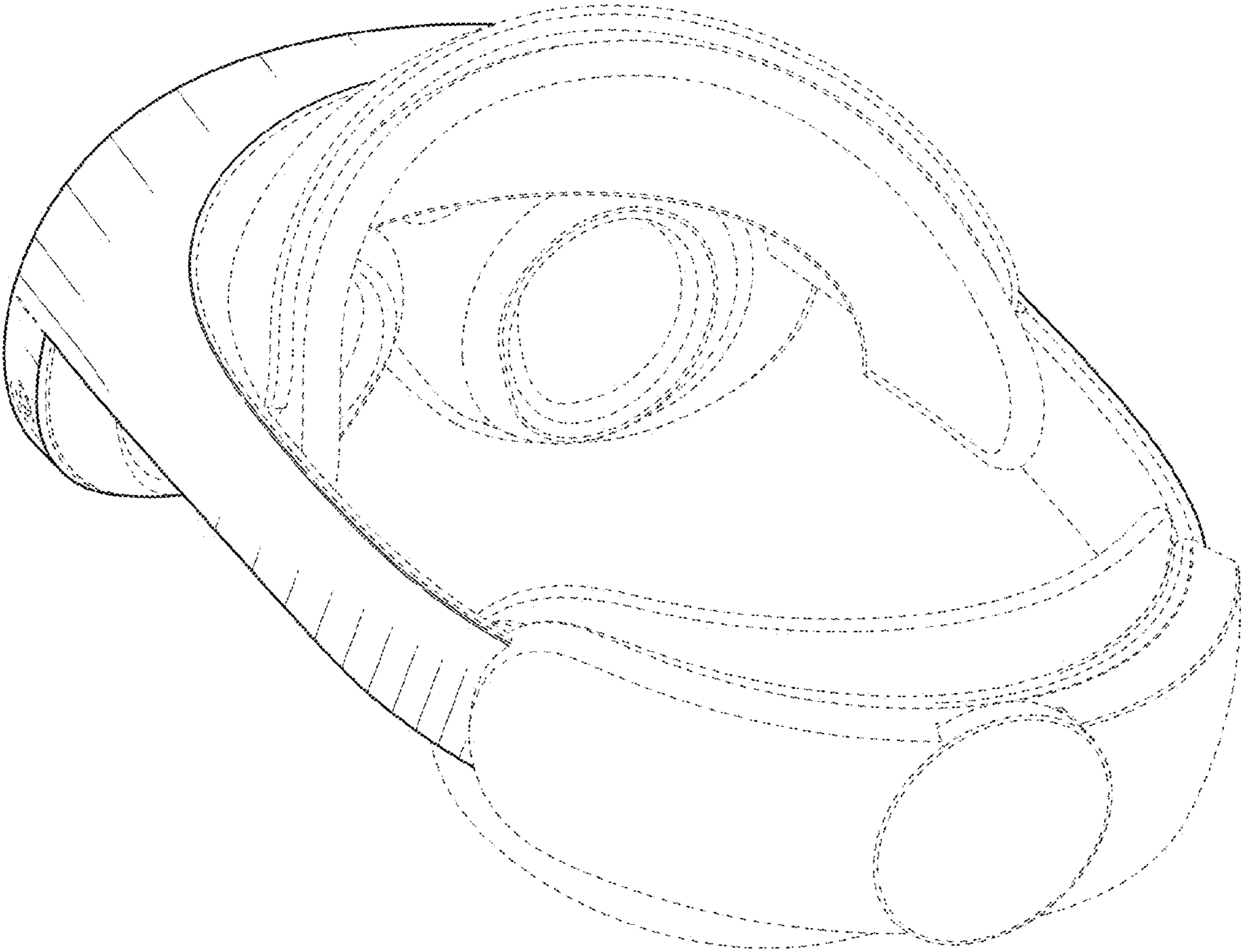
OTHER PUBLICATIONS

Flores J.A.B., et al., "Fabric Reinforced Soft Actuators," U.S. Appl. No. 63/050,310, filed Jul. 10, 2020, 56 pages.  
 Howard J., et al., "Curved Batteries, Devices, and Accessories," U.S. Appl. No. 62/901,082, filed Sep. 16, 2019, 75 pages.  
 Howard J., et al., "Curved Battery-Pack Devices and Accessories," U.S. Appl. No. 16/818,614, filed Mar. 13, 2020, 117 pages.  
 Howard J., et al., "Non-Uniformly Curved Batteries," U.S. Appl. No. 16/818,611, filed Mar. 13, 2020, 115 pages.  
 International Search Report and Written Opinion for International Application No. PCT/US2021/044233, dated Oct. 29, 2021, 15 pages.  
 Lang B., "HoloLens 2 Specs Reveal 2-3 Hour 'Active' Battery Life, Optional Top Strap, & More," Feb. 24, 2019, 5 pages, Retrieved from the Internet: URL: <https://www.roadtovr.com/hololens-2-specs-resolution-field-of-view-battery-life/>.  
 "LG G Flex," Wikipedia, Nov. 12, 2013, 2 pages, Retrieved from the Internet: URL: [https://en.wikipedia.org/wiki/LG\\_G\\_Flex](https://en.wikipedia.org/wiki/LG_G_Flex).  
 Morris Q., et al., "Head-Mounted Display," U.S. Appl. No. 29/723,785, filed Feb. 10, 2020, 23 pages.  
 Roig E.V., et al., "Head Cradle for Head-Mounted Display and Related Systems and Devices," U.S. Appl. No. 63/060,716, filed Aug. 4, 2020, 65 pages.

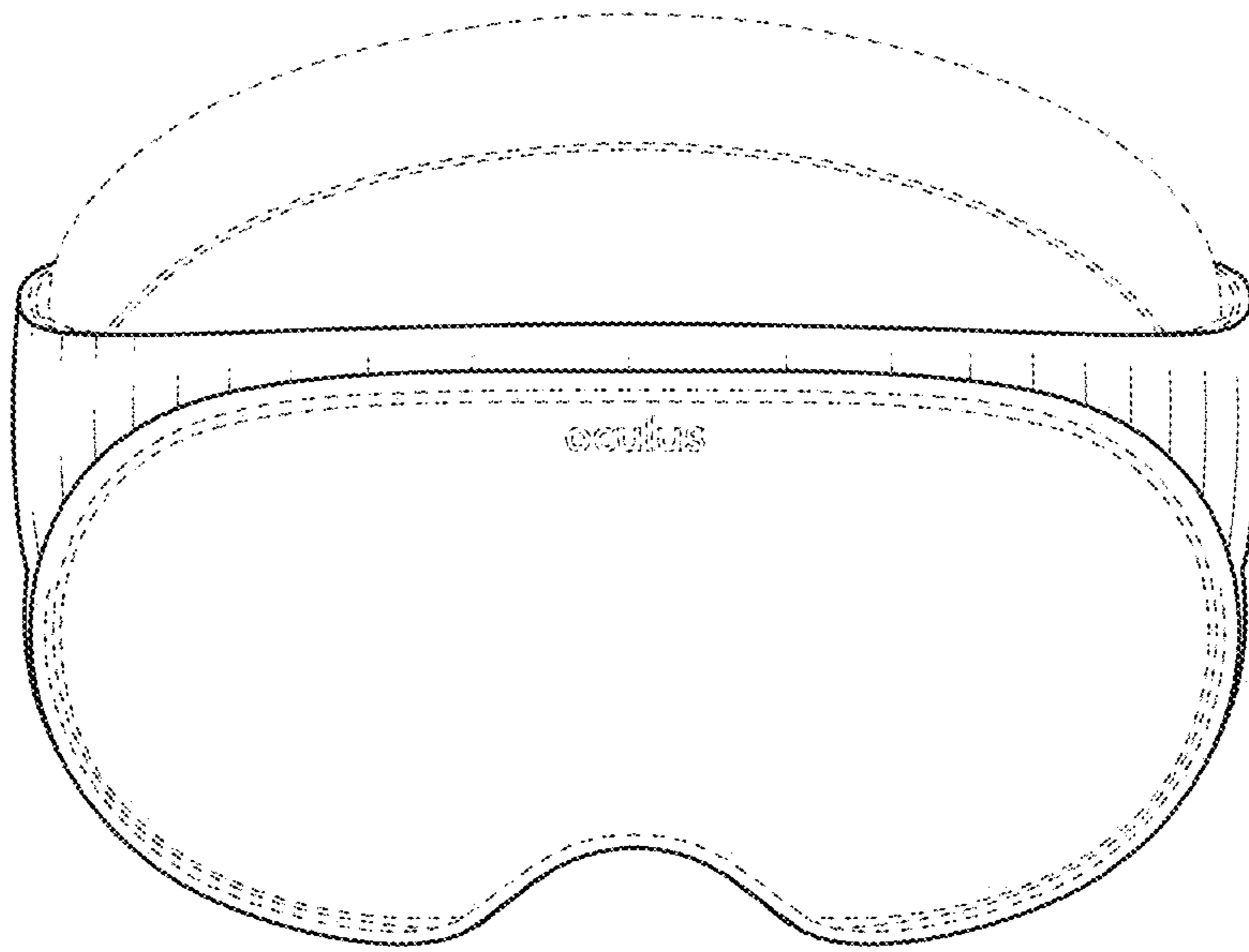
\* cited by examiner



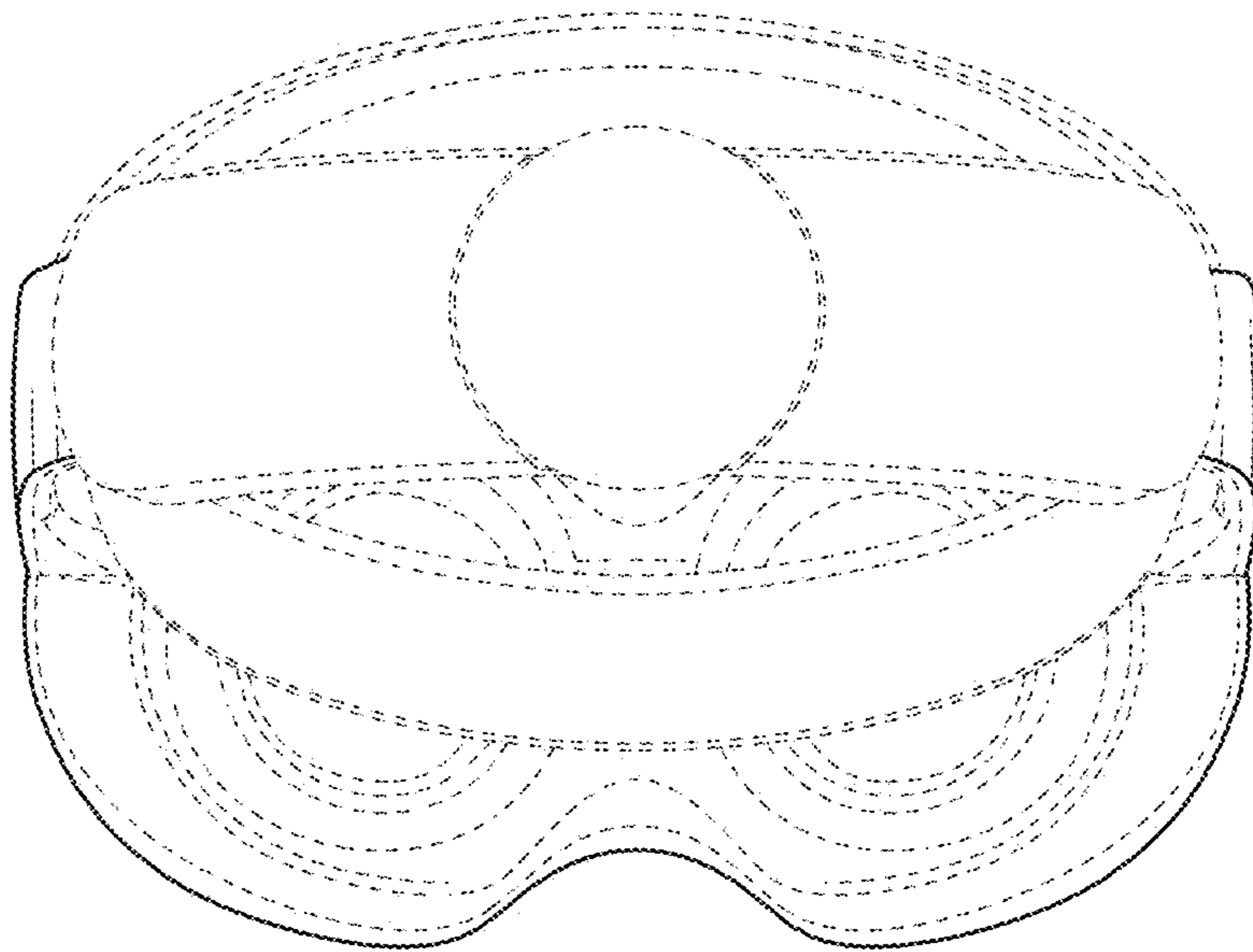
**FIG. 1**



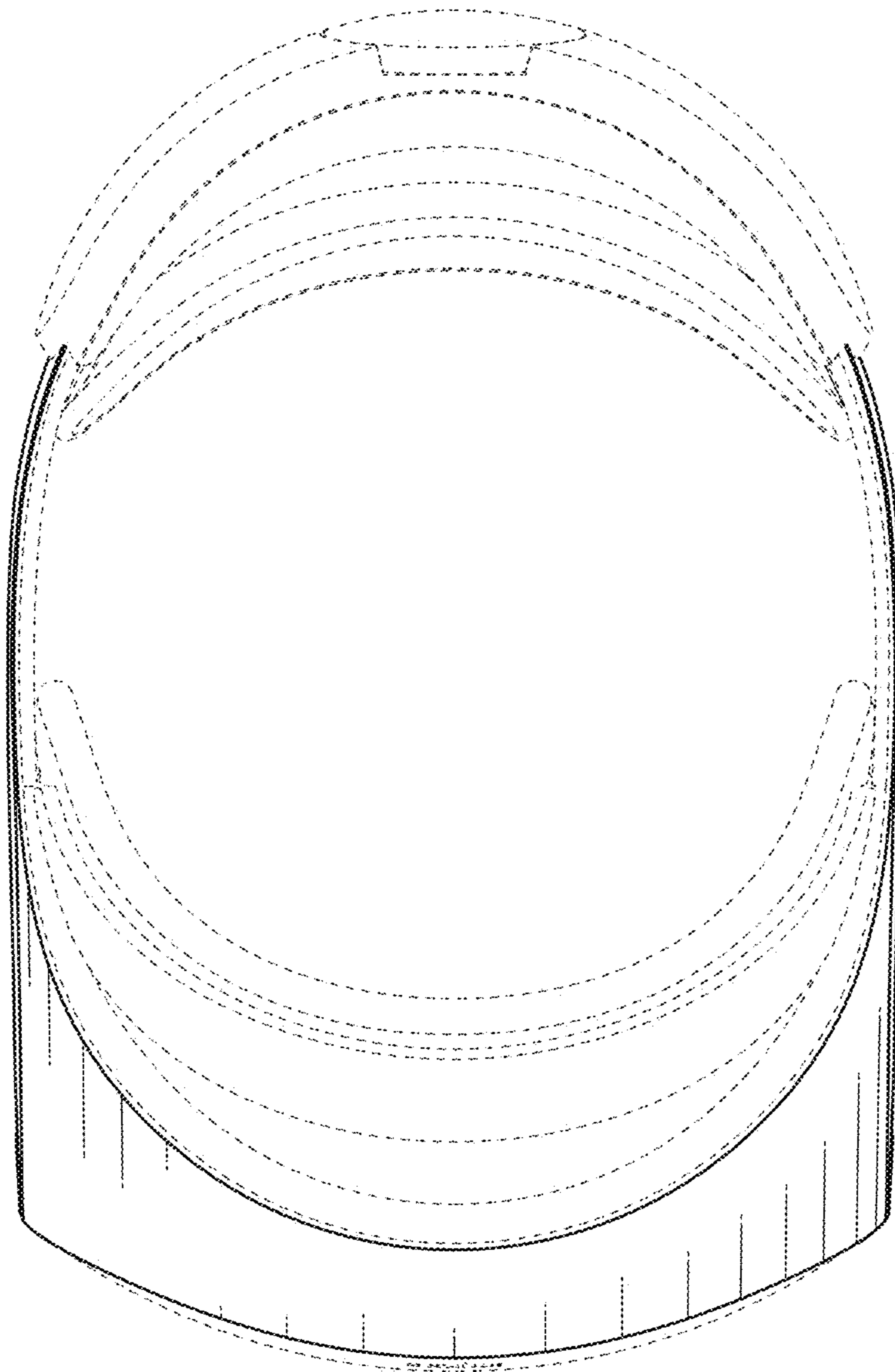
**FIG. 2**



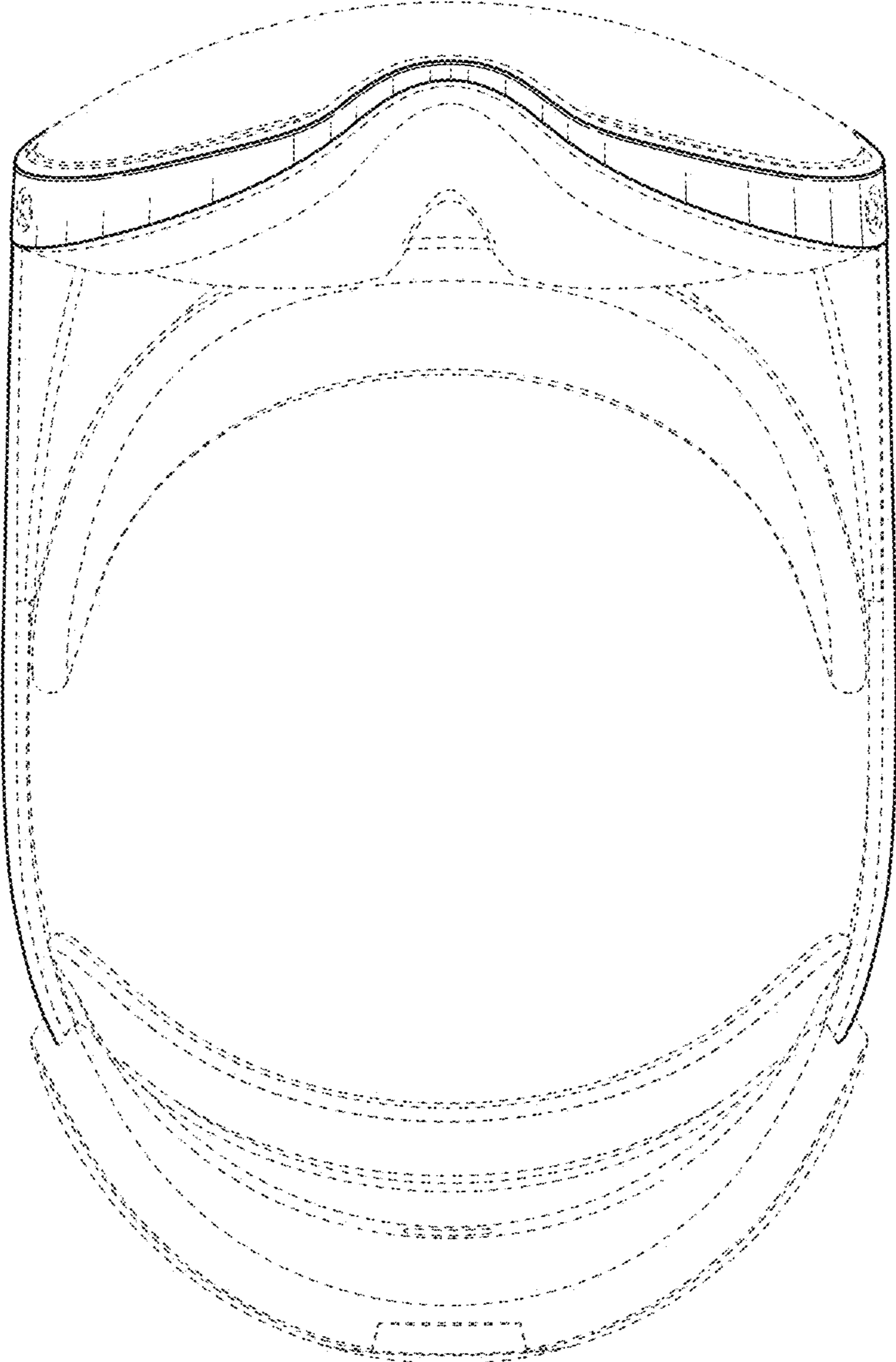
**FIG. 3**



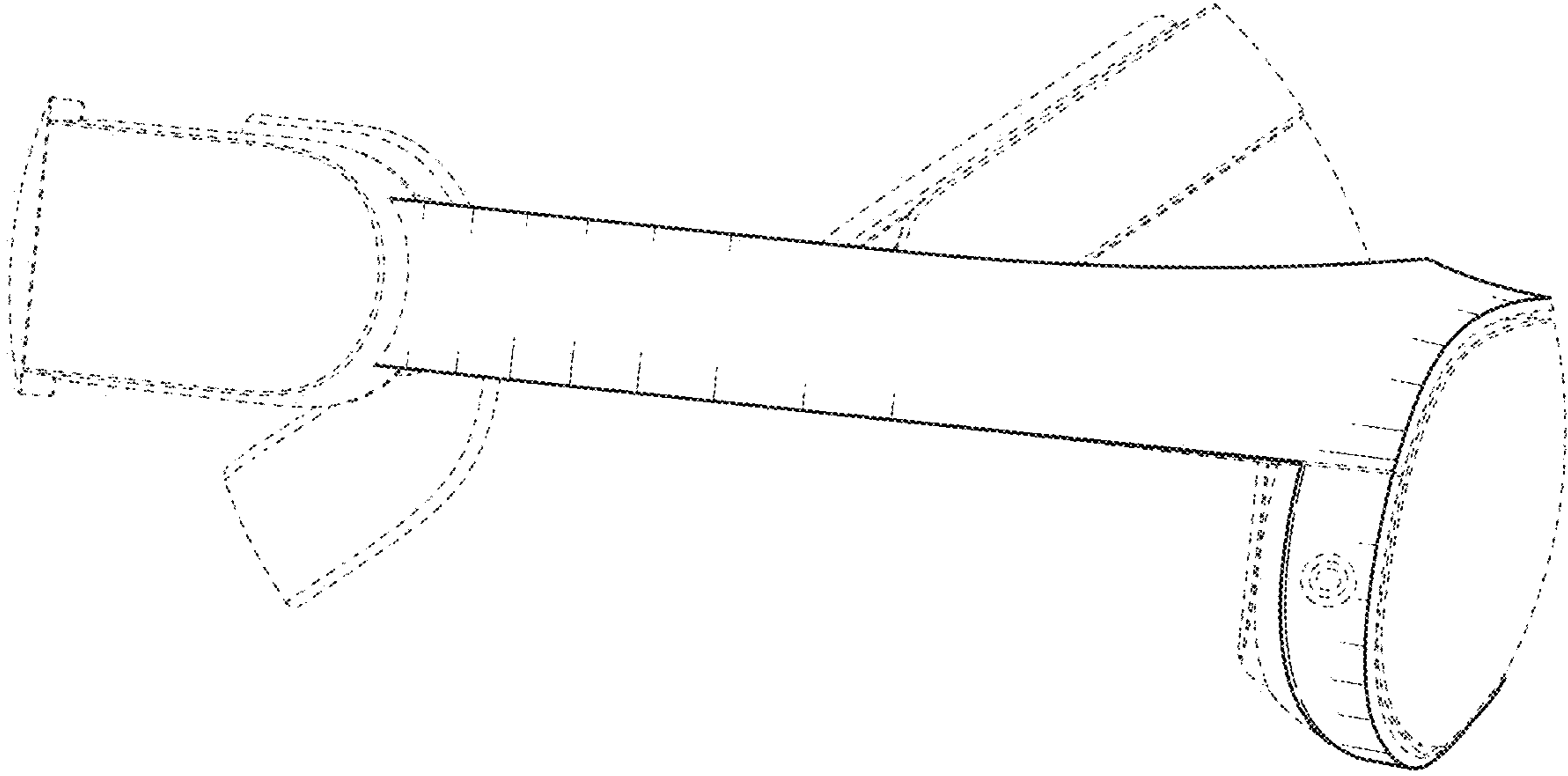
**FIG. 4**



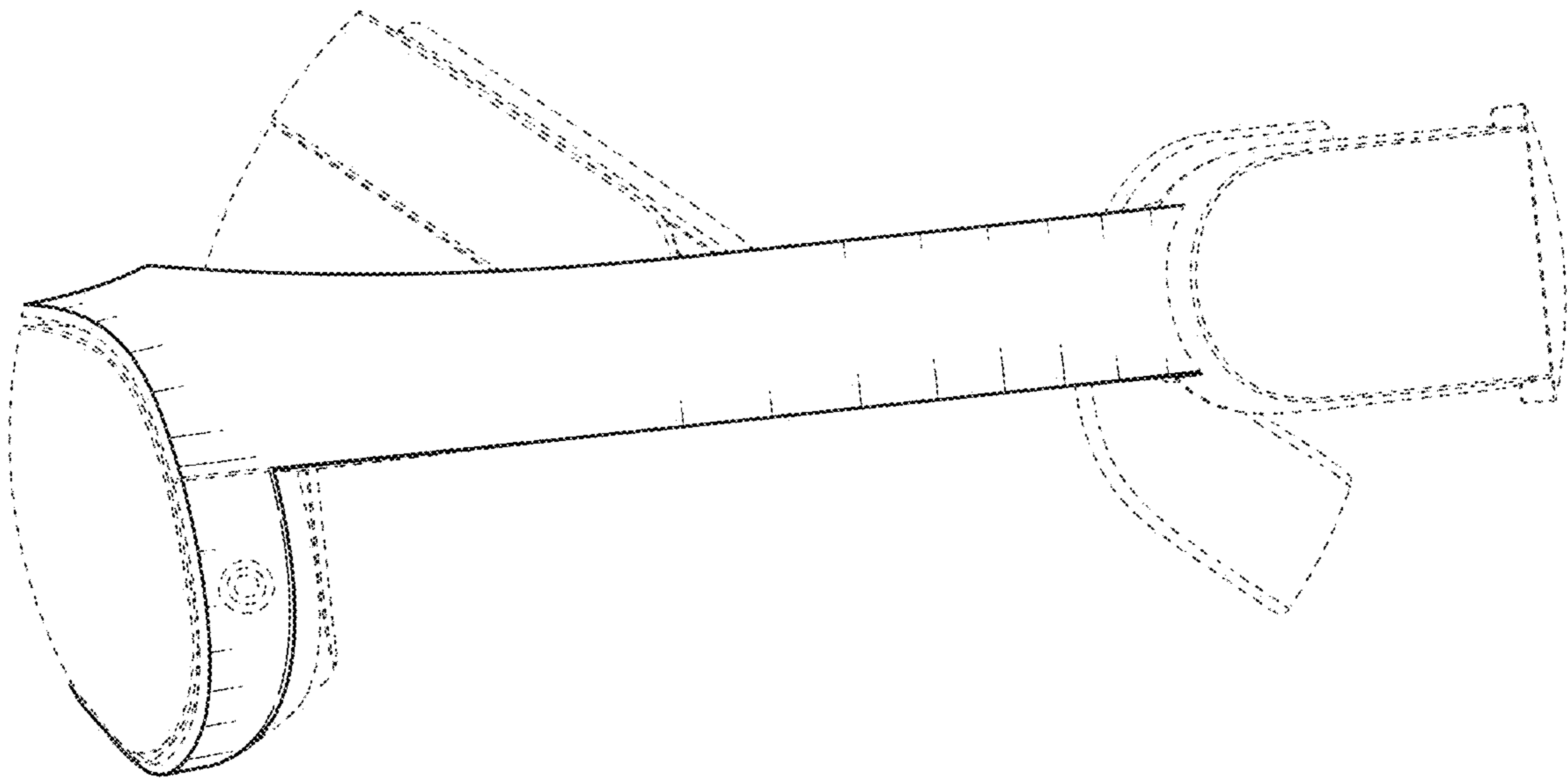
**FIG. 5**



**FIG. 6**



**FIG. 7**



**FIG. 8**